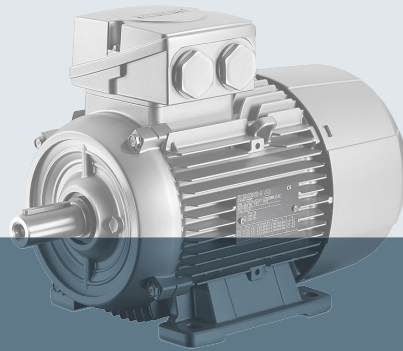


SIEMENS



SINAMICS

SINAMICS G120C

List Manual

Edition

04/2014

Answers for industry.

SIEMENS

SINAMICS

SINAMICS G120C

List Manual

Valid for

Drive

SINAMICS G120C

Firmware version

4.7

Fundamental safety
instructions

1

Parameters

2

Function diagrams

3

Faults and alarms

4

Appendix


A


Index


Legal information

Warning notice system

This Manual contains information which you must observe to ensure your own personal safety as well as to avoid material damage. The notices referring to your personal safety are highlighted in the manual by a safety alert symbol, notices referring only to equipment damage have no safety alert symbol. Depending on the hazard level, warnings are indicated in a descending order as follows:

 DANGER
indicates that death or serious injury will result if proper precautions are not taken.

 WARNING
indicates that death or serious injury could result if proper precautions are not taken.

 CAUTION
indicates that minor personal injury can result if proper precautions are not taken.

NOTICE
indicates that property damage can result if proper precautions are not taken.


If more than one level of danger is simultaneously applicable, the warning notice for the highest level is used. A notice warning of injury to persons with a safety alert symbol may also include a warning relating to property damage.

Qualified personnel

The product/system described in this documentation may only be operated by **personnel qualified** for the specific task in accordance with the relevant documentation for the specific task, in particular its warning notices and safety instructions. Qualified personnel are those who, based on their training and experience, are capable of identifying risks and avoiding potential hazards when working with these products/systems.

Proper Use of Siemens Products

Note the following:

 WARNING
Siemens products are only permitted to be used for the applications listed in the catalog and in the associated technical documentation. If third-party products and components are used, then they must be recommended or approved by Siemens. These products can only function correctly and safely if they are transported, stored, set up, mounted, installed, commissioned, operated and maintained correctly. The permissible ambient conditions must be adhered to. Notes in the associated documentation must be observed.

Trademarks

All names identified with ® are registered trademarks of Siemens AG. Any other names used in this publication may be trademarks whose use by third parties for their own purposes could violate the rights of the owner.

Disclaimer of liability

We have checked the contents of this publication for consistency with the hardware and software described. Since variance cannot be precluded entirely, we cannot guarantee full consistency. The information given in this document is reviewed at regular intervals and any corrections that might be necessary are made in the subsequent editions.

Table of contents

1	Fundamental safety instructions	7
1.1	General safety instructions	8
1.2	Industrial security	9
2	Parameters	11
2.1	Overview of parameters	12
2.1.1	Explanation of the parameter list	12
2.1.2	Number ranges of parameters	22
2.2	List of parameters	25
2.3	Parameters for data sets	299
2.3.1	Command Data Set (CDS)	299
2.3.2	Drive Data Sets (DDS)	300
2.3.3	Motor data sets (MDS)	303
2.3.4	Power unit Data Sets (PDS)	305
2.3.5	Encoder Data Sets (EDS)	305
2.4	BICO parameters (connectors/binectors)	306
2.4.1	Binector inputs (BI)	306
2.4.2	Connector inputs (CI)	307
2.4.3	Binector outputs (BO)	307
2.4.4	Connector outputs (CO)	308
2.4.5	Connector/binector outputs (CO/BO)	310
2.5	Parameters for write protection and know-how protection	312
2.5.1	Parameters with "WRITE_NO_LOCK"	312
2.5.2	Parameters with "KHP_WRITE_NO_LOCK"	312
2.5.3	Parameters with "KHP_ACTIVE_READ"	313
2.6	Quick commissioning (p0010 = 1)	314
3	Function diagrams	317
3.1	Table of contents	318
3.2	Explanation of the function diagrams	322
3.3	Input/output terminals	327
3.4	PROFenergy	336
3.5	PROFIdrive communication (PROFIBUS/PROFINET)	339
3.6	CANopen communication	353
3.7	Communication, fieldbus interface (USS, MODBUS)	360
3.8	Internal control/status words	366
3.9	Brake control	384
3.10	Safety Integrated Basic Functions	386
3.11	Safety Integrated PROFIsafe	392

3.12	Setpoint channel	394
3.13	Vector control	403
3.14	Technology functions	425
3.15	Technology controller	427
3.16	Signals and monitoring functions	432
3.17	Diagnostics.	442
3.18	Data sets	448
4	Faults and alarms	451
4.1	Overview of faults and alarms	452
4.1.1	General information	452
4.1.2	Explanation of the list of faults and alarms.	456
4.1.3	Number ranges of faults and alarms	461
4.2	List of faults and alarms	463
A	Appendix	547
A.1	ASCII table (characters that can be displayed)	548
A.2	List of abbreviations	551
	Index	561

Fundamental safety instructions

Content

1.1	General safety instructions	8
1.2	Industrial security	9

1.1 General safety instructions



WARNING

Risk of death if the safety instructions and remaining risks are not carefully observed

If the safety instructions and residual risks are not observed in the associated hardware documentation, accidents involving severe injuries or death can occur.

- Observe the safety instructions given in the hardware documentation.
- Consider the residual risks for the risk evaluation.



WARNING

Danger to life or malfunctions of the machine as a result of incorrect or changed parameterization

As a result of incorrect or changed parameterization, machines can malfunction, which in turn can lead to injuries or death.

- Protect the parameterization (parameter assignments) against unauthorized access.
- Respond to possible malfunctions by applying suitable measures (e.g. EMERGENCY-STOP or EMERGENCY-OFF).

1.2 Industrial security

Note

Industrial security

Siemens provides products and solutions with industrial security functions that support the secure operation of plants, solutions, machines, devices, and/or networks. They are important components of a holistic industrial security concept. With this in mind, Siemens' products and solutions undergo continuous development. Siemens recommends strongly that you regularly check for product updates.

To ensure that Siemens products and solutions are operated securely, suitable preventive measures (e.g. cell protection concept) and each component must be integrated into a state-of-the-art holistic industrial security concept. Third-party products that may be in use should also be considered. You will find more information about industrial security at:

<http://www.siemens.com/industrialsecurity>

To receive information about product updates on a regular basis, register for our product newsletter. You will find more information at:

<http://support.automation.siemens.com>



WARNING

Danger as a result of unsafe operating states resulting from software manipulation

Software manipulation (e.g. by viruses, Trojan horses, malware, worms) can cause unsafe operating states to develop in your installation which can result in death, severe injuries and/or material damage.

- Keep the software up to date.

Information and newsletters can be found at:

<http://support.automation.siemens.com>

- Incorporate the automation and drive components into a holistic, state-of-the-art industrial security concept for the installation or machine.

For more information, visit:

<http://www.siemens.com/industrialsecurity>

- Make sure that you include all installed products into the holistic industrial security concept.

Parameters

2

Content

2.1	Overview of parameters	12
2.2	List of parameters	25
2.3	Parameters for data sets	299
2.4	BICO parameters (connectors/binectors)	306
2.5	Parameters for write protection and know-how protection	312
2.6	Quick commissioning (p0010 = 1)	314

2.1 Overview of parameters




2.1.1 Explanation of the parameter list

Basic structure of the parameter descriptions

The data in the following example has been chosen at random. The table below contains all the information that can be included in a parameter description. Some of the information is optional.

The "List of parameters" (Page 25) has the following structure:

----- **Start of example** -----

pxxxx[0...n]	BICO: Full parameter name / abbreviated name			
CU/PM variants	Access level: 3	Calculated: p0340 = 1	Data type: FloatingPoint32	
	Can be changed: C(x), U, T	Scaling: p2002	Dyn. index: CDS, p0170	
	Unit group: 6_2	Unit selection: p0505	Func. diagram: 8070	
	Min	Max	Factory setting	
	0.00 [Nm]	10.00 [Nm]	0.00 [Nm]	
Description:	Text			
Value:	0: Name and meaning of value 0 1: Name and meaning of value 1 2: Name and meaning of value 2 etc.			
Recommendation:	Text			
Index:	[0] = Name and meaning of index 0 [1] = Name and meaning of index 1 [2] = Name and meaning of index 2 etc.			
Bit field:	Bit	Signal name	1 signal	0 signal
	00	Name and meaning of bit 0	Yes	no
	01	Name and meaning of bit 1	Yes	no
	02	Name and meaning of bit 2	Yes	no
		etc.		
Dependency:	Text Refer to: pxxxx, rxxxx Refer to: Fxxxxx, Axxxxx			
Danger:	Warning:	Caution:	Safety notices with a warning triangle	
				
Notice:	Safety notice without a warning triangle			
Note:	Information that might be useful.			

----- **End of example** -----

The individual pieces of information are described in detail below.

pxxxx[0...n] Parameter number

The parameter number is made up of a "p" or "r", followed by the parameter number and the index or bit field (optional).

Examples of the representation in the parameter list:

- p... Adjustable parameters (read and write parameters)
- r... Display parameters (read only)
- p0918 Adjustable parameter 918
- p2051[0...13] Adjustable parameter 2051, indices 0 to 13
- p1001[0...n] Adjustable parameter 1001, indices 0 to n (n = configurable)
- r0944 Display parameter 944
- r2129.0...15 Display parameter 2129 with bit field from bit 0 (smallest bit) to bit 15 (largest bit)

Other examples of the notation in the documentation:

- p1070[1] Adjustable parameter 1070, index 1
- p2098[1].3 Adjustable parameter 2098, index 1 bit 3
- p0795.4 Adjustable parameter 795, bit 4

The following applies to adjustable parameters:

The parameter value as delivered is specified under "Factory setting" with the relevant unit in square brackets. The value can be adjusted within the range defined by "Min" and "Max".

The term "linked parameterization" is used in cases where changes to adjustable parameters affect the settings of other parameters.

Linked parameterization can occur, for example, as a result of the following actions and parameters:

- Setting the PROFIBUS telegram (BICO interconnection)
p0922
- Set component lists
p0230, p0300, p0301, p0400
- Automatic calculation and pre-assignment
p0340, p3900
- Restoring the factory settings
p0970

The following applies to display parameters:

The fields "Min", "Max" and "Factory setting" are specified with a dash "-" and the relevant unit in square brackets.

Note

The parameter list can contain parameters that are not visible in the expert lists of the particular commissioning software (e.g. parameters for trace functions).

BICO: Full parameter name / abbreviated name

The following abbreviations can appear in front of the BICO parameter name:

- BI: Binector Input
This parameter is used for selecting the source of a digital signal.
- BO: Binector output
This parameter is available as a digital signal for interconnection with other parameters.
- CI: Connector Input
This parameter is used for selecting the source of an "analog" signal.
- CO: Connector output
This parameter is available as an "analog" signal for interconnection with other parameters.
- CO/BO: Connector/Binector Output
This parameter is available as an "analog" and digital signal for interconnection with other parameters.

Note

A BICO input (BI/CI) cannot be interconnected with just any BICO output (BO/CO, signal source).

When interconnecting a BICO input using the commissioning software, only the corresponding possible signal sources are listed.

Function diagrams 1020 ... 1030 explain the symbols for BICO parameters and how to deal with BICO technology.

G120C variants

Specifies for which G120C variants (communication) the parameter is valid is. If no G120C variant is listed, then the parameter is valid for all variants.

The following information relating to "G120C variants" can be displayed under the parameter number:

Table 2-1 Information in the "CU/PM variants" field

CU/PM variants	Meaning
	All G120C variants have this parameter.
G120C_CAN	G120C with CAN interface
G120C_DP	G120C with PROFIBUS interface
G120C_PN	G120C with PROFINET interface
G120C_USS	G120C with USS interface

Access level

Specifies the minimum access level required to be able to display and change the relevant parameter. The required access level can be set using p0003.

The system uses the following access levels:

- 1: Standard (not adjustable, included in p0003 = 3)
- 2: Extended (not adjustable, included in p0003 = 3)
- 3: Expert
- 4: Service

Parameters with this access level are password protected.

Note

Parameter p0003 is CU-specific (belongs to the Control Unit).

A higher access level will also include the functions of the lower levels.

Calculated

Specifies whether the parameter is influenced by automatic calculations.

p0340 determines which calculations are to be performed:

- p0340 = 1 includes the calculations from p0340 = 2, 3, 4, 5.
- p0340 = 2 calculates the motor parameters (p0350 ... p0360, p0625).
- p0340 = 3 includes the calculations from p0340 = 4, 5.
- p0340 = 4 only calculates the controller parameters.
- p0340 = 5 only calculates the controller limits.

Note

For p3900 > 0, p0340 = 1 is also called automatically.

After p1900 = 1, 2, p0340 = 3 is also called automatically.

Parameters with a reference to p0340 after "Calculated" depend on the Power Module being used and the motor. In this case, the values at "Factory setting" do not correspond to the actual values because these values are calculated during the commissioning. This also applies to the motor parameters.

Data type

The information on the data type can consist of the following two items (separated by a slash):

- First item
Data type of the parameter.
- Second item (for binector or connector input only)
Data type of the signal source to be interconnected (binector-/connector output).

Parameters can have the following data types:

- Integer8 I8 8-bit integer number
- Integer16 I16 16-bit integer number
- Integer32 I32 32-bit integer number
- Unsigned8 U8 8 bits without sign
- Unsigned16 U16 16 bits without sign
- Unsigned32 U32 32 bits without sign
- FloatingPoint32 Float 32-bit floating point number

Depending on the data type of the BICO input parameter (signal sink) and BICO output parameter (signal source), the following combinations are possible when creating BICO interconnections:

Table 2-2 Possible combinations of BICO interconnections

BICO output parameter	BICO input parameter			
	CI parameter			BI parameter
	Unsigned32 / Integer16	Unsigned32 / Integer32	Unsigned32 / FloatingPoint32	Unsigned32 / Binary
CO: Unsigned8	x	x	–	–
CO: Unsigned16	x	x	–	–
CO: Unsigned32	x	x	–	–
CO: Integer16	x	x	r2050	–
CO: Integer32	x	x	r2060	–
CO: FloatingPoint32	x	x	x	–
BO: Unsigned8	–	–	–	x
BO: Unsigned16	–	–	–	x
BO: Unsigned32	–	–	–	x
BO: Integer16	–	–	–	x
BO: Integer32	–	–	–	x
BO: FloatingPoint32	–	–	–	–
Legend: x : BICO interconnection permitted –: BICO interconnection not permitted rxxxx: BICO interconnection is only permitted for the specified CO parameters				

Can be changed

The "-" sign indicates that the parameter can be changed in any object state and that the change will be effective immediately.

The information "C(x), T, U" ((x): optional) means that the parameter can be changed only in the specified drive unit state and that the change will not take effect until the unit switches to another state. This can be a single state or multiple states.

The following states are available:

- C(x) commissioning C: Commissioning
 Drive commissioning is in progress (p0010 > 0).
 Pulses cannot be enabled.
 The parameter can only be changed in the following drive commissioning settings (p0010 > 0):
 - C: Can be changed for all settings p0010 > 0.
 - C(x): Can only be changed for the settings p0010 = x.
 A modified parameter value does not take effect until drive commissioning mode is exited with p0010 = 0.
- U Operation U: Run
 Pulses are enabled.
- T Ready T: Ready to run
 The pulses are not enabled and the status "C(x)" is not active.

Scaling

Specification of the reference variable with which a signal value is automatically converted for a BICO interconnection.

The following reference variables are available:

- p2000 ... p2006: Reference speed, reference voltage, etc.
- PERCENT: 1.0 = 100 %
- 4000H: 4000 hex = 100 %

Dyn. index (dynamic index)

For parameters with a dynamic index [0...n], the following information is specified here:

- Data set (if available).
- Parameter for the number of indices (n = number - 1).

The following information can be contained in this field:

- "CDS, p0170" (Command Data Set, CDS count)

Example:

p1070[0] → main setpoint [command data set 0]

p1070[1] → main setpoint [command data set 1], etc.

- "DDS, p0180" (Drive Data Set, DDS count)
- "EDS, p0140" (Encoder Data Set, EDS count)
- "MDS, p0130" (Motor Data Set, MDS count)
- "PDS, p0120" (Power unit Data Set, PDS count)

Data sets can only be created and deleted when p0010 = 15.

Note

Information on the data sets can be taken from the following references:

Operating Instructions SINAMICS G120 Frequency Converter G120C.

Unit group and unit selection

The standard unit of a parameter is specified in square brackets after the values for "Min", "Max", and "Factory setting".

For parameters where the unit can be switched over, the specifications for "Unit group" and "Unit selection" determine the group to which this parameter belongs and with which parameter the unit can be changed over.

Example:

Unit group: 7_1, unit selection: p0505

The parameter belongs to unit group 7_1 and the unit can be changed over using p0505.

All the potential unit groups and possible unit selections are listed below.

Table 2-3 Unit group (p0100)

Unit group	Unit selection for p0100 =			Reference variable for %
	0	1	2	
7_4	Nm	lbf ft	Nm	-
14_6	kW	hp	kW	-
25_1	kg m ²	lb ft ²	kg m ²	-
27_1	kg	lb	kg	-
28_1	Nm/A	lbf ft/A	Nm/A	-

Table 2-4 Unit group (p0505)

Unit group	Unit selection for p0505 =				Reference variable for %
	1	2	3	4	
2_1	Hz	%	Hz	%	p2000
3_1	1 rpm	%	1 rpm	%	p2000
5_1	Vrms	%	Vrms	%	p2001
5_2	V	%	V	%	p2001
5_3	V	%	V	%	p2001
6_2	Arms	%	Arms	%	p2002
6_5	A	%	A	%	p2002
7_1	Nm	%	lbf ft	%	p2003
7_2	Nm	Nm	lbf ft	lbf ft	-
14_5	kW	%	hp	%	r2004
14_10	kW	kW	hp	hp	-
21_1	°C	°C	°F	°F	-
21_2	K	K	°F	°F	-
39_1	1/s ²	%	1/s ²	%	p2007

Table 2-5 Unit group (p0595)

Unit group	Unit selection for p0595 =		Reference variable for %
	Value	Unit	
9_1	The values that can be set and the technological units are shown in p0595.		

Function diagram

The parameter is included in this function diagram. The structure of the parameter function and its relationship with other parameters is shown in the specified function diagram.

Parameter values

Min	Minimum value of the parameter [unit]
Max	Maximum value of the parameter [unit]
Factory setting	Value when delivered [unit] In the case of a binector/connector input, the signal source of the default BICO interconnection is specified. A non-indexed connector output is assigned the index [0]. A different value may be displayed for certain parameters (e.g. p1800) at the initial commissioning stage or when establishing the factory settings. Reason: The setting of these parameters is determined by the operating environment of the Control Unit (e.g. depending on converter type, power unit).

Description

Explanation of the function of a parameter

Values

Lists the possible values of a parameter.

Recommendation

Information about recommended settings.

Index

The name and meaning of each individual index is specified for indexed parameters.

The following applies to the values (Min, Max, Factory setting) for indexed adjustable parameters:

- Min, Max:
The adjustment range and unit apply to all indices.
- Factory setting:
When all indices have the same factory setting, index 0 is specified with the unit to represent all indices.
When the indices have different factory settings, they are all listed individually with the unit.

Bit field

For parameters with bit fields, the following information is provided about each bit:

- Bit number and signal name
- Meaning for signal states 1 and 0
- Function diagram (FP) (optional).

The signal is shown in this function diagram.

Dependency

Conditions that must be fulfilled in conjunction with this parameter. Also includes special effects that can occur between this parameter and others.

Where necessary, "Refer to:" indicates the following information:

- List of other relevant parameters to be considered.
- List of faults and alarms to be considered.

Safety guidelines

Important information that must be observed to avoid the risk of physical injury or material damage.

Information that must be observed to avoid any problems.

Information that the user may find useful.

Danger



The description of this safety notice can be found at the beginning of this manual (see "Legal information" (Page 4)).

Warning



The description of this safety notice can be found at the beginning of this manual (see "Legal information" (Page 4)).

Caution



The description of this safety notice can be found at the beginning of this manual (see "Legal information" (Page 4)).

Notice

The description of this safety notice can be found at the beginning of this manual (see "Legal information" (Page 4)).

Note

Information that the user may find useful.

2.1.2 Number ranges of parameters

Note

The following number ranges represent an overview for all the parameters available for the SINAMICS drive family.

The parameters for the product described in this List Manual are described in detail in "List of parameters" (Page 25).

Parameters are grouped into the following number ranges:

Table 2-6 Number ranges for SINAMICS

Range		Description
From	To	
0000	0099	Display and operation
0100	0199	Commissioning
0200	0299	Power section
0300	0399	Motor
0400	0499	Encoder
0500	0599	Technology and units, motor-specific data, probes
0600	0699	Thermal monitoring, maximum current, operating hours, motor data, central probe
0700	0799	Control Unit terminals, measuring sockets
0800	0839	CDS, DDS data sets, motor changeover
0840	0879	Sequence control (e.g. signal source for ON/OFF1)
0880	0899	ESR, parking, control and status words
0900	0999	PROFIBUS/PROFIdrive
1000	1199	Setpoint channel (e.g. ramp-function generator)
1200	1299	Functions (e.g. motor holding brake)
1300	1399	U/f control
1400	1799	Closed-loop control
1800	1899	Gating unit
1900	1999	Power unit and motor identification
2000	2009	Reference values
2010	2099	Communication (fieldbus)
2100	2139	Faults and alarms
2140	2199	Signals and monitoring
2200	2359	Technology controller
2360	2399	Staging, hibernation
2500	2699	Position control (LR) and basic positioning (EPOS)
2700	2719	Reference values, display

Table 2-6 Number ranges for SINAMICS, continued

Range		Description
From	To	
2720	2729	Load gearbox
2800	2819	Logic operations
2900	2930	Fixed values (e. g. percentage, torque)
3000	3099	Motor identification results
3100	3109	Real-time clock (RTC)
3110	3199	Faults and alarms
3200	3299	Signals and monitoring
3400	3659	Infeed closed-loop control
3660	3699	Voltage Sensing Module (VSM), Braking Module internal
3700	3779	Advanced Positioning Control (APC)
3780	3819	Synchronization
3820	3849	Friction characteristic
3850	3899	Functions (e. g. long stator)
3900	3999	Management
4000	4599	Terminal Board, Terminal Module (e. g. TB30, TM31)
4600	4699	Sensor Module
4700	4799	Trace
4800	4849	Function generator
4950	4999	OA application
5000	5169	Spindle diagnostics
5200	5230	Current setpoint filter 5 ... 10 (r0108.21)
5400	5499	System droop control (e. g. shaft generator)
5500	5599	Dynamic grid support (solar)
5600	5614	PROFenergy
5900	6999	SINAMICS GM/SM/GL/SL
7000	7499	Parallel connection of power units
7500	7599	SINAMICS SM120
7700	7729	External messages
7770	7789	NVRAM, system parameters
7800	7839	EEPROM read/write parameters
7840	8399	Internal system parameters
8400	8449	Real-time clock (RTC)
8500	8599	Data and macro management
8600	8799	CAN bus
8800	8899	Communication Board Ethernet (CBE), PROFIdrive

Table 2-6 Number ranges for SINAMICS, continued

Range		Description
From	To	
8900	8999	Industrial Ethernet, PROFINET, CBE20
9000	9299	topology
9300	9399	Safety Integrated
9400	9499	Parameter consistency and storage
9500	9899	Safety Integrated
9900	9949	topology
9950	9999	Diagnostics, internal
10000	10199	Safety Integrated
11000	11299	Free technology controller 0, 1, 2
20000	20999	Free function blocks (FBLOCKS)
21000	25999	Drive Control Chart (DCC)
50000	53999	SINAMICS DC MASTER (closed-loop DC current control)
61000	61001	PROFINET

2.2 List of parameters

Product: SINAMICS G120C, Version: 4702900, Language: eng
Objects: G120C_CAN, G120C_DP, G120C_PN, G120C_USS

r0002

Drive operating display / Drv op_display

Access level: 2	Calculated: -	Data type: Integer16
Can be changed: -	Scaling: -	Dyn. index: -
Units group: -	Unit selection: -	Func. diagram: -
Min	Max	Factory setting
0	200	-

Description:

Operating display for the drive.

Value:

0: Operation - everything enabled
10: Operation - set "enable setpoint" = "1"
12: Operation - RFG frozen, set "RFG start" = "1"
13: Operation - set "enable RFG" = "1"
14: Operation - MotID, excit. running
15: Operation - open brake (p1215)
16: Operation - withdraw braking with OFF1 using "ON/OFF1" = "1"
17: Operation - braking with OFF3 can only be interrupted with OFF2
18: Operation - brake on fault, remove fault, acknowledge
19: Operation - DC braking active (p1230, p1231)
21: Ready for operation - set "Operation enable" = "1" (p0852)
22: Ready for operation - de-magnetizing running (p0347)
31: Ready for switching on - set "ON/OFF1" = "0/1" (p0840)
35: Switching on inhibited - carry out first commissioning (p0010)
41: Switching on inhibited - set "ON/OFF1" = "0" (p0840)
42: Switching on inhibited - set "OC/OFF2" = "1" (p0844, p0845)
43: Switching on inhibited - set "OC/OFF3" = "1" (p0848, p0849)
45: Switching on inhibited - rectify fault, acknowledge fault, STO
46: Switching on inhibited - exit comm mode (p0010)
70: Initialization
200: Wait for booting/partial booting

Dependency:

Refer to: r0046

Notice:

For several missing enable signals, the corresponding value with the highest number is displayed.

Note:

OC: Operating condition
RFG: Ramp-function generator
COMM: Commissioning
MotID: Motor data identification

p0003

Access level / Acc_level

Access level: 1	Calculated: -	Data type: Integer16
Can be changed: C, U, T	Scaling: -	Dyn. index: -
Units group: -	Unit selection: -	Func. diagram: -
Min	Max	Factory setting
3	4	3

Description:

Sets the access level to read and write parameters.

Value:

3: Expert
4: Service

Note:

A higher set access level also includes the lower one.
Access level 3 (experts):
Expert know-how is required for these parameters (e.g. BICO parameterization).
Access level 4 (service):
For these parameters, it is necessary that authorized service personnel enter the appropriate password (p3950).

p0010	Drive commissioning parameter filter / Drv comm. par_filt		
	Access level: 1	Calculated: -	Data type: Integer16
	Can be changed: C(1), T	Scaling: -	Dyn. index: -
	Units group: -	Unit selection: -	Func. diagram: 2800, 2818
	Min	Max	Factory setting
	0	95	1
Description:	Sets the parameter filter to commission a drive. Setting this parameter filters out the parameters that can be written into in the various commissioning steps.		
Value:	0: Ready 1: Quick commissioning 2: Power unit commissioning 3: Motor commissioning 5: Technological application/units 15: Data sets 29: Only Siemens int 30: Parameter reset 39: Only Siemens int 49: Only Siemens int 95: Safety Integrated commissioning		
Dependency:	Refer to: r3996		
Notice:	When the parameter is reset to a value of 0, short-term communication interruptions may occur.		
Note:	The drive can only be powered up outside the drive commissioning (inverter enable). To realize this, this parameter must be set to 0. By setting p3900 to a value other than 0, the quick commissioning is completed, and this parameter is automatically reset to 0. Procedure for "Reset parameter": Set p0010 to 30 and p0970 to 1. Once the Control Unit has been booted up for the first time, the motor parameters suitable for the power unit have been defined, and the control parameters have been calculated accordingly, p0010 is automatically reset to 0. p0010 = 3 is used for the subsequent commissioning of additional drive data sets (creating data sets: see p0010 = 15). p0010 = 29, 39, 49: Only for internal Siemens use!		

p0015	Macro drive unit / Macro drv unit		
G120C_CAN	Access level: 1	Calculated: -	Data type: Unsigned32
G120C_USS	Can be changed: C, C(1)	Scaling: -	Dyn. index: -
	Units group: -	Unit selection: -	Func. diagram: -
	Min	Max	Factory setting
	0	999999	12
Description:	Runs the corresponding macro files.		
Notice:	After the value has been modified, no further parameter modifications can be made and the status is shown in r3996. Modifications can be made again when r3996 = 0. When executing a specific macro, the corresponding programmed settings are made and become active.		
Note:	Macros available as standard are described in the technical documentation of the particular product.		

p0015	Macro drive unit / Macro drv unit		
G120C_DP	Access level: 1	Calculated: -	Data type: Unsigned32
G120C_PN	Can be changed: C, C(1)	Scaling: -	Dyn. index: -
	Units group: -	Unit selection: -	Func. diagram: -
	Min	Max	Factory setting
	0	999999	7
Description:	Runs the corresponding macro files.		
Notice:	After the value has been modified, no further parameter modifications can be made and the status is shown in r3996. Modifications can be made again when r3996 = 0. When executing a specific macro, the corresponding programmed settings are made and become active.		
Note:	Macros available as standard are described in the technical documentation of the particular product.		

r0018	Control Unit firmware version / CU FW version		
	Access level: 3	Calculated: -	Data type: Unsigned32
	Can be changed: -	Scaling: -	Dyn. index: -
	Units group: -	Unit selection: -	Func. diagram: -
	Min	Max	Factory setting
	0	4294967295	-
Description:	Displays the firmware version of the Control Unit.		
Dependency:	Refer to: r0197, r0198		
Note:	Example: The value 1010100 should be interpreted as V01.01.01.00.		
r0020	Speed setpoint smoothed / n_set smth		
	Access level: 2	Calculated: -	Data type: FloatingPoint32
	Can be changed: -	Scaling: p2000	Dyn. index: -
	Units group: 3_1	Unit selection: p0505	Func. diagram: 5020, 6799
	Min	Max	Factory setting
	- [rpm]	- [rpm]	- [rpm]
Description:	Displays the currently smoothed speed setpoint at the input of the speed controller or U/f characteristic (after the interpolator).		
Dependency:	Refer to: r0060		
Note:	Smoothing time constant = 100 ms The signal is not suitable as a process quantity and may only be used as a display quantity. The speed setpoint is available smoothed (r0020) and unsmoothed (r0060).		
r0021	CO: Actual speed smoothed / n_act smooth		
	Access level: 2	Calculated: -	Data type: FloatingPoint32
	Can be changed: -	Scaling: p2000	Dyn. index: -
	Units group: 3_1	Unit selection: p0505	Func. diagram: 6799
	Min	Max	Factory setting
	- [rpm]	- [rpm]	- [rpm]
Description:	Displays the smoothed actual value of the motor speed. For U/f control and when slip compensation is deactivated (see p1335), the synchronous speed to the output frequency is shown in r0021.		
Dependency:	Refer to: r0022, r0063		
Note:	Smoothing time constant = 100 ms The signal is not suitable as a process quantity and may only be used as a display quantity. The speed actual value is available smoothed (r0021, r0022) and unsmoothed (r0063). For U/f control, the mechanical speed calculated from the output frequency and the slip is shown in r0063[2] even if slip compensation is deactivated.		
r0022	Speed actual value rpm smoothed / n_act rpm smooth		
	Access level: 3	Calculated: -	Data type: FloatingPoint32
	Can be changed: -	Scaling: p2000	Dyn. index: -
	Units group: -	Unit selection: -	Func. diagram: 6799
	Min	Max	Factory setting
	- [rpm]	- [rpm]	- [rpm]
Description:	Displays the smoothed actual value of the motor speed. r0022 is identical to r0021, however, it always has units of rpm and contrary to r0021 cannot be changed over. For U/f control and when slip compensation is deactivated (see p1335), the synchronous speed to the output frequency is shown in r0022.		
Dependency:	Refer to: r0021, r0063		
Note:	Smoothing time constant = 100 ms The signal is not suitable as a process quantity and may only be used as a display quantity.		

2 Parameters

2.2 List of parameters

The speed actual value is available smoothed (r0021, r0022) and unsmoothed (r0063).

For U/f control, the mechanical speed calculated from the output frequency and the slip is shown in r0063[2] even if slip compensation is deactivated.

r0024	Output frequency smoothed / f_outp smooth		
	Access level: 3	Calculated: -	Data type: FloatingPoint32
	Can be changed: -	Scaling: p2000	Dyn. index: -
	Units group: -	Unit selection: -	Func. diagram: 5300, 5730, 6300, 6799
	Min	Max	Factory setting
	- [Hz]	- [Hz]	- [Hz]
Description:	Displays the smoothed converter frequency.		
Dependency:	Refer to: r0066		
Note:	Smoothing time constant = 100 ms The signal is not suitable as a process quantity and may only be used as a display quantity. The output frequency is available smoothed (r0024) and unsmoothed (r0066).		

r0025	CO: Output voltage smoothed / U_outp smooth		
	Access level: 2	Calculated: -	Data type: FloatingPoint32
	Can be changed: -	Scaling: p2001	Dyn. index: -
	Units group: -	Unit selection: -	Func. diagram: 5730, 6300, 6799
	Min	Max	Factory setting
	- [Vrms]	- [Vrms]	- [Vrms]
Description:	Displays the smoothed output voltage of the power unit.		
Dependency:	Refer to: r0072		
Note:	Smoothing time constant = 100 ms The signal is not suitable as a process quantity and may only be used as a display quantity. The output voltage is available smoothed (r0025) and unsmoothed (r0072).		

r0026	CO: DC link voltage smoothed / Vdc smooth		
	Access level: 2	Calculated: -	Data type: FloatingPoint32
	Can be changed: -	Scaling: p2001	Dyn. index: -
	Units group: -	Unit selection: -	Func. diagram: 6799
	Min	Max	Factory setting
	- [V]	- [V]	- [V]
Description:	Displays the smoothed actual value of the DC link voltage.		
Dependency:	Refer to: r0070		
Notice:	When measuring a DC link voltage < 200 V, for the Power Module a valid measured value is not supplied. In this case, when an external 24 V power supply is connected, a value of approx. 24 V is displayed in the display parameter.		
Note:	Smoothing time constant = 100 ms The signal is not suitable as a process quantity and may only be used as a display quantity. The DC link voltage is available smoothed (r0026) and unsmoothed (r0070). r0026 sets itself to the lower value of the pulsating DC link voltage.		

r0027	CO: Absolute actual current smoothed / I_act abs val smth		
	Access level: 2	Calculated: -	Data type: FloatingPoint32
	Can be changed: -	Scaling: p2002	Dyn. index: -
	Units group: -	Unit selection: -	Func. diagram: 5730, 6799, 8850, 8950
	Min	Max	Factory setting
	- [Arms]	- [Arms]	- [Arms]
Description:	Displays the smoothed absolute actual current value.		
Dependency:	Refer to: r0068		

Notice: This smoothed signal is not suitable for diagnostics or evaluation of dynamic operations. In this case, the unsmoothed value should be used.

Note: Smoothing time constant = 300 ms

The signal is not suitable as a process quantity and may only be used as a display quantity.

The absolute current actual value is available smoothed (r0027) and unsmoothed (r0068).

r0028	Modulation depth smoothed / Mod_depth smth		
	Access level: 4	Calculated: -	Data type: FloatingPoint32
	Can be changed: -	Scaling: p2002	Dyn. index: -
	Units group: -	Unit selection: -	Func. diagram: 5730, 6799, 8950
	Min	Max	Factory setting
	- [%]	- [%]	- [%]
Description:	Displays the smoothed actual value of the modulation depth.		
Dependency:	Refer to: r0074		
Note:	Smoothing time constant = 100 ms		
	The signal is not suitable as a process quantity and may only be used as a display quantity.		
	The modulation depth is available smoothed (r0028) and unsmoothed (r0074).		

r0029	Current actual value field-generating smoothed / Id_act smooth		
	Access level: 4	Calculated: -	Data type: FloatingPoint32
	Can be changed: -	Scaling: p2002	Dyn. index: -
	Units group: -	Unit selection: -	Func. diagram: 6799
	Min	Max	Factory setting
	- [Arms]	- [Arms]	- [Arms]
Description:	Displays the smoothed field-generating actual current.		
Dependency:	Refer to: r0076		
Note:	Smoothing time constant = 300 ms		
	The signal is not suitable as a process quantity and may only be used as a display quantity.		
	The field-generating current actual value is available smoothed (r0029) and unsmoothed (r0076).		

r0030	Current actual value torque-generating smoothed / Iq_act smooth		
	Access level: 4	Calculated: -	Data type: FloatingPoint32
	Can be changed: -	Scaling: p2002	Dyn. index: -
	Units group: -	Unit selection: -	Func. diagram: 6799
	Min	Max	Factory setting
	- [Arms]	- [Arms]	- [Arms]
Description:	Displays the smoothed torque-generating actual current.		
Dependency:	Refer to: r0078		
Note:	Smoothing time constant = 300 ms		
	The signal is not suitable as a process quantity and may only be used as a display quantity.		
	The torque-generating current actual value is available smoothed (r0030) and unsmoothed (r0078).		

r0031	Actual torque smoothed / M_act smooth		
	Access level: 2	Calculated: -	Data type: FloatingPoint32
	Can be changed: -	Scaling: p2003	Dyn. index: -
	Units group: 7_1	Unit selection: p0505	Func. diagram: 5730, 6799
	Min	Max	Factory setting
	- [Nm]	- [Nm]	- [Nm]
Description:	Displays the smoothed torque actual value.		
Dependency:	Refer to: r0080		
Note:	Smoothing time constant = 100 ms		
	The signal is not suitable as a process quantity and may only be used as a display quantity.		
	The torque actual value is available smoothed (r0031) and unsmoothed (r0080).		

r0032	CO: Active power actual value smoothed / P_actv_act smth		
	Access level: 2	Calculated: -	Data type: FloatingPoint32
	Can be changed: -	Scaling: r2004	Dyn. index: -
	Units group: 14_10	Unit selection: p0505	Func. diagram: 5730, 6799, 8750, 8850, 8950
	Min	Max	Factory setting
	- [kW]	- [kW]	- [kW]
Description:	Displays the smoothed actual value of the active power.		
Dependency:	Refer to: r0082		
Notice:	This smoothed signal is not suitable for diagnostics or evaluation of dynamic operations. In this case, the unsmoothed value should be used.		
Note:	Power delivered at the motor shaft. The active power is available smoothed (r0032 with 100 ms) and unsmoothed (r0082).		
r0033	Torque utilization smoothed / M_util smooth		
	Access level: 4	Calculated: -	Data type: FloatingPoint32
	Can be changed: -	Scaling: PERCENT	Dyn. index: -
	Units group: -	Unit selection: -	Func. diagram: 8012
	Min	Max	Factory setting
	- [%]	- [%]	- [%]
Description:	Displays the smoothed torque utilization as a percentage.		
Dependency:	This parameter is only available for vector control. For U/f control r0033 = 0 %.		
Note:	Smoothing time constant = 100 ms The signal is not suitable as a process quantity and may only be used as a display quantity. The torque utilization is available smoothed (r0033) and unsmoothed (r0081). For M_set total (r0079) > 0, the following applies: - Required torque = M_set total - Actual torque limit = M_max upper effective (r1538) For M_set total (r0079) <= 0, the following applies: - Required torque = - M_set total - Actual torque limit = - M_max lower effective (r1539) For the actual torque limit = 0, the following applies: r0033 = 100 % For the actual torque limit < 0, the following applies: r0033 = 0 %		
r0034	CO: Motor utilization thermal / Mot_util therm		
	Access level: 2	Calculated: -	Data type: FloatingPoint32
	Can be changed: -	Scaling: PERCENT	Dyn. index: -
	Units group: -	Unit selection: -	Func. diagram: 8017
	Min	Max	Factory setting
	- [%]	- [%]	- [%]
Description:	Displays the motor utilization from motor temperature model 1 (I2t).		
Dependency:	The thermal motor utilization is only determined for permanent-magnet synchronous motors when the motor temperature model 1 (I2t) is activated. For motor temperature model 1 (I2t) (p0612.0 = 1), the following applies: - r0034 = (motor model temperature - 40 K) / (p0605 - 40 K) * 100 % Refer to: p0611, p0612, p0615		
Notice:	After the drive is switched on, the system starts to determine the motor temperature with an assumed model value. This means that the value for the motor utilization is only valid after a stabilization time.		
Note:	Smoothing time constant = 100 ms The signal is not suitable as a process quantity and may only be used as a display quantity. For r0034 = -200.0 %, the following applies: The value is invalid (e.g. the motor temperature model is not activated or has been incorrectly parameterized).		

r0035	CO: Motor temperature / Mot temp		
	Access level: 2	Calculated: -	Data type: FloatingPoint32
	Can be changed: -	Scaling: p2006	Dyn. index: -
	Units group: 21_1	Unit selection: p0505	Func. diagram: 8016, 8017
	Min	Max	Factory setting
	- [°C]	- [°C]	- [°C]
Description:	Display and connector output for the actual temperature in the motor.		
Note:	For r0035 not equal to -200.0 °C, the following applies: - this temperature display is valid. - a KTY sensor is connected. - for induction motors, the thermal motor model is activated (p0601 = 0). For r0035 equal to -200.0 °C, the following applies: - this temperature display is not valid (temperature sensor error). - A PTC sensor or bimetallic NC contact is connected. - for synchronous motors, the thermal motor model is activated (p0601 = 0).		
r0036	CO: Power unit overload I2t / PU overload I2t		
	Access level: 3	Calculated: -	Data type: FloatingPoint32
	Can be changed: -	Scaling: PERCENT	Dyn. index: -
	Units group: -	Unit selection: -	Func. diagram: 8014
	Min	Max	Factory setting
	- [%]	- [%]	- [%]
Description:	Displays the power unit overload determined using the I2t calculation. A current reference value is defined for the I2t monitoring of the power unit. It represents the current that can be conducted by the power unit without any influence of the switching losses (e.g. the continuously permissible current of the capacitors, inductances, busbars, etc.). If the I2t reference current of the power unit is not exceeded, then an overload (0 %) is not displayed. In the other case, the degree of thermal overload is calculated, whereby 100% results in a trip.		
Dependency:	Refer to: p0290		
r0037[0...19]	CO: Power unit temperatures / PU temperatures		
	Access level: 4	Calculated: -	Data type: FloatingPoint32
	Can be changed: -	Scaling: p2006	Dyn. index: -
	Units group: 21_1	Unit selection: p0505	Func. diagram: 8014
	Min	Max	Factory setting
	- [°C]	- [°C]	- [°C]
Description:	Display and connector output for the temperature in the power unit.		
Index:	[0] = Inverter maximum value [1] = Depletion layer maximum value [2] = Rectifier maximum value [3] = Air intake [4] = Interior of power unit [5] = Inverter 1 [6] = Inverter 2 [7...10] = Reserved [11] = Rectifier 1 [12] = Reserved [13] = Depletion layer 1 [14] = Depletion layer 2 [15] = Depletion layer 3 [16] = Depletion layer 4 [17] = Depletion layer 5 [18] = Depletion layer 6 [19] = Reserved		
Notice:	Only for internal Siemens troubleshooting.		

2 Parameters

2.2 List of parameters

Note: The value of -200 indicates that there is no measuring signal.
r0037[0]: Maximum value of the inverter temperatures (r0037[5...10]).
r0037[1]: Maximum value of the depletion layer temperatures (r0037[13...18]).
r0037[2]: Maximum value of the rectifier temperatures (r0037[11...12]).
The maximum value is the temperature of the hottest inverter, depletion layer, or rectifier.
r0037[2, 3, 6, 11, 14...18] is only relevant for chassis power units.
In the case of a fault, the particular shutdown threshold depends on the power unit, and cannot be read out.

r0038	Power factor smoothed / Cos phi smooth		
	Access level: 4	Calculated: -	Data type: FloatingPoint32
	Can be changed: -	Scaling: -	Dyn. index: -
	Units group: -	Unit selection: -	Func. diagram: 6799, 8850, 8950
	Min	Max	Factory setting
	-	-	-
Description:	Displays the smoothed actual power factor. This refers to the electrical power of the basic fundamental signals at the converter output terminals.		
Notice:	For infeed units, the following applies: For active powers < 25 % of the rated power, this does not provide any useful information.		
Note:	Smoothing time constant = 300 ms The signal is not suitable as a process quantity and may only be used as a display quantity.		

r0039[0...2]	Energy display / Energy displ		
	Access level: 2	Calculated: -	Data type: FloatingPoint32
	Can be changed: -	Scaling: -	Dyn. index: -
	Units group: -	Unit selection: -	Func. diagram: -
	Min	Max	Factory setting
	- [kWh]	- [kWh]	- [kWh]
Description:	Displays the energy values at the output terminals of the power unit.		
Index:	[0] = Energy balance (sum) [1] = Energy drawn [2] = Energy fed back		
Dependency:	Refer to: p0040		
Note:	Re index 0: Sum of the energy drawn and energy that is fed back.		

p0040	Reset energy consumption display / Energy usage reset		
	Access level: 3	Calculated: -	Data type: Unsigned8
	Can be changed: U, T	Scaling: -	Dyn. index: -
	Units group: -	Unit selection: -	Func. diagram: -
	Min	Max	Factory setting
	0	1	0
Description:	Setting to reset the display in r0039 and r0041. Procedure: Set p0040 = 0 --> 1 The displays are reset and the parameter is automatically set to zero.		
Dependency:	Refer to: r0039		

r0041	Energy consumption saved / Energy cons saved		
	Access level: 2	Calculated: -	Data type: FloatingPoint32
	Can be changed: -	Scaling: -	Dyn. index: -
	Units group: -	Unit selection: -	Func. diagram: -
	Min	Max	Factory setting
	- [kWh]	- [kWh]	- [kWh]
Description:	Displays the saved energy referred to 100 operating hours.		

Dependency: Refer to: p0040
Note: This display is used for a fluid-flow machine.
 The flow characteristic is entered into p3320 ... p3329.
 For an operating time of below 100 hours, the display is interpolated up to 100 hours.

p0045	Display values smoothing time constant / Disp_val T_smooth		
Access level: 3	Calculated: -	Data type: FloatingPoint32	
Can be changed: U, T	Scaling: -	Dyn. index: -	
Units group: -	Unit selection: -	Func. diagram: 6714, 8012	
Min	Max	Factory setting	
0.00 [ms]	10000.00 [ms]	4.00 [ms]	

Description: Sets the smoothing time constant for the following display values:
 r0063[1], r0068[1], r0080[1], r0082[1].

r0046.0...31	CO/BO: Missing enable sig / Missing enable sig		
Access level: 1	Calculated: -	Data type: Unsigned32	
Can be changed: -	Scaling: -	Dyn. index: -	
Units group: -	Unit selection: -	Func. diagram: 2634	
Min	Max	Factory setting	
-	-	-	

Description: Display and BICO output for missing enable signals that are preventing the closed-loop drive control from being commissioned.

Bit field:	Bit	Signal name	1 signal	0 signal	FP
	00	OFF1 enable missing	Yes	No	7954
	01	OFF2 enable missing	Yes	No	-
	02	OFF3 enable missing	Yes	No	-
	03	Operation enable missing	Yes	No	-
	04	DC braking enable missing	Yes	No	-
	08	Safety enable missing	Yes	No	-
	10	Ramp-function generator enable missing	Yes	No	-
	11	Ramp-function generator start missing	Yes	No	-
	12	Setpoint enable missing	Yes	No	-
	16	OFF1 enable internal missing	Yes	No	-
	17	OFF2 enable internal missing	Yes	No	-
	18	OFF3 enable internal missing	Yes	No	-
	19	Pulse enable internal missing	Yes	No	-
	20	DC braking internal enable missing	Yes	No	-
	21	Power unit enable missing	Yes	No	-
	26	Drive inactive or not operational	Yes	No	-
	27	De-magnetizing not completed	Yes	No	-
	28	Brake open missing	Yes	No	-
	30	Speed controller inhibited	Yes	No	-
	31	Jog setpoint active	Yes	No	-

Dependency: Refer to: r0002
Note: The value r0046 = 0 indicates that all enable signals for this drive are present.
 Bit 00 = 1 (enable signal missing), if:
 - the signal source in p0840 is a 0 signal.
 - there is a "switching on inhibited".
 Bit 01 = 1 (enable signal missing), if:
 - the signal source in p0844 or p0845 is a 0 signal.
 Bit 02 = 1 (enable signal missing), if:
 - the signal source in p0848 or p0849 is a 0 signal.
 Bit 03 = 1 (enable signal missing), if:
 - the signal source in p0852 is a 0 signal.
 Bit 04 = 1 (DC brake active) when:
 - the signal source in p1230 has a 1 signal

- Bit 08 = 1 (enable signal missing), if:
 - safety functions have been enabled and STO is active.
- STO selected via onboard terminals:
 - the pulse enable via fail-safe digital inputs is missing.
- STO selected via PROFIsafe:
 - A safety-relevant signal is present with a STOP A response.
- Bit 10 = 1 (enable signal missing), if:
 - the signal source in p1140 is a 0 signal.
- Bit 11 = 1 (enable signal missing) if the speed setpoint is frozen, because:
 - the signal source in p1141 is a 0 signal.
 - the speed setpoint is entered from jogging and the two signal sources for jogging, bit 0 (p1055) and bit 1 (p1056) have a 1 signal.
- Bit 12 = 1 (enable signal missing), if:
 - the signal source in p1142 is a 0 signal.
- Bit 16 = 1 (enable signal missing), if:
 - there is an OFF1 fault response. The system is only enabled if the fault is removed and was acknowledged and the "switching on inhibited" withdrawn with OFF1 = 0.
- Bit 17 = 1 (enable signal missing), if:
 - commissioning mode is selected (p0010 > 0).
 - there is an OFF2 fault response.
 - the drive is not operational.
- Bit 18 = 1 (enable signal missing), if:
 - OFF3 has still not been completed or an OFF3 fault response is present.
- Bit 19 = 1 (internal pulse enable missing), if:
 - sequence control does not have a finished message.
- Bit 20 = 1 (internal DC brake active), if:
 - the drive is not in the state "Operation" or in "OFF1/3".
 - the internal pulse enable is missing (r0046.19 = 0).
- Bit 21 = 1 (enable signal missing), if:
 - the power unit does not issue an enable signal (e.g. because DC link voltage is too low).
 - the holding brake opening time (p1216) has still not expired.
 - The hibernation mode is active.
- Bit 26 = 1 (enable signal missing), if:
 - the drive is not operational.
- Bit 27 = 1 (enable signal missing), if:
 - de-magnetization not completed.
- Bit 28 = 1 (enable signal missing), if:
 - the holding brake is closed or has still not been opened.
- Bit 30 = 1 (speed controller inhibited), if one of the following reasons is present:
 - the pole position identification is active.
 - motor data identification is active (only certain steps).
- Bit 31 = 1 (enable signal missing), if:
 - the speed setpoint from jog 1 or 2 is entered.

r0047

Motor data identification and speed controller optimization / MotID and n_opt

Access level: 1	Calculated: -	Data type: Integer16
Can be changed: -	Scaling: -	Dyn. index: -
Units group: -	Unit selection: -	Func. diagram: -
Min	Max	Factory setting
0	300	-

Description: Displays the actual status for the motor data identification (stationary measurement) and the speed controller optimization (rotating measurement).

Value:

- 0: No measurement
- 115: Measurement q leakage inductance (part 2)
- 120: Speed controller optimization (vibration test)
- 140: Calculate speed controller setting

150:	Measurement moment of inertia
170:	Measurement magnetizing current and saturation characteristic
195:	Measurement q leakage inductance (part 1)
200:	Rotating measurement selected
220:	identification leakage inductance
230:	Identification rotor time constant
240:	Identification stator inductance
250:	Identification stator inductance LQLD
270:	Identification stator resistance
290:	Identification valve lockout time
300:	Stationary measurement selected

r0050.0...1**CO/BO: Command Data Set CDS effective / CDS effective**

Access level: 3	Calculated: -	Data type: Unsigned8
Can be changed: -	Scaling: -	Dyn. index: -
Units group: -	Unit selection: -	Func. diagram: 8560
Min	Max	Factory setting
-	-	-

Description:

Displays the effective Command Data Set (CDS).

Bit field:

Bit	Signal name	1 signal	0 signal	FP
00	CDS eff bit 0	ON	OFF	-
01	CDS eff bit 1	ON	OFF	-

Dependency:

Refer to: p0810, r0836

Note:

The Command Data Set selected using a binector input (e.g. p0810) is displayed using r0836.

r0051.0**CO/BO: Drive Data Set DDS effective / DDS effective**

Access level: 3	Calculated: -	Data type: Unsigned8
Can be changed: -	Scaling: -	Dyn. index: -
Units group: -	Unit selection: -	Func. diagram: 8565
Min	Max	Factory setting
-	-	-

Description:

Displays the effective Drive Data Set (DDS).

Bit field:

Bit	Signal name	1 signal	0 signal	FP
00	DDS eff bit 0	ON	OFF	-

Dependency:

Refer to: p0820, r0837

Note:

When selecting the motor data identification routine and the rotating measurement, the drive data set changeover is suppressed.

r0052.0...15**CO/BO: Status word 1 / ZSW 1**

Access level: 2	Calculated: -	Data type: Unsigned16
Can be changed: -	Scaling: -	Dyn. index: -
Units group: -	Unit selection: -	Func. diagram: -
Min	Max	Factory setting
-	-	-

Description:

Display and connector output for status word 1.

Bit field:

Bit	Signal name	1 signal	0 signal	FP
00	Rdy for switch on	Yes	No	-
01	Ready	Yes	No	-
02	Operation enabled	Yes	No	-
03	Fault present	Yes	No	-
04	Coast down active (OFF2)	No	Yes	-
05	Quick Stop active (OFF3)	No	Yes	-
06	Switching on inhibited active	Yes	No	-
07	Alarm present	Yes	No	-
08	Deviation setpoint/actual speed	No	Yes	-
09	Control request	Yes	No	-
10	Maximum speed reached	Yes	No	-

2 Parameters

2.2 List of parameters

11	I, M, P limit reached	No	Yes	-
12	Motor holding brake open	Yes	No	-
13	Alarm motor overtemperature	No	Yes	-
14	Motor rotates forwards	Yes	No	-
15	Alarm drive converter overload	No	Yes	-

Note:

Re bit 03:

This signal is inverted if it is interconnected to a digital output.

Re r0052:

The status bits have the following sources:

Bit 00: r0899 Bit 0

Bit 01: r0899 Bit 1

Bit 02: r0899 Bit 2

Bit 03: r2139 Bit 3 (or r1214.10 for p1210 > 0)

Bit 04: r0899 Bit 4

Bit 05: r0899 Bit 5

Bit 06: r0899 Bit 6

Bit 07: r2139 Bit 7

Bit 08: r2197 Bit 7

Bit 09: r0899 Bit 7

Bit 10: r2197 Bit 6

Bit 11: r0056 Bit 13 (negated)

Bit 12: r0899 Bit 12

Bit 13: r2135 Bit 12 (negated)

Bit 14: r2197 Bit 3

Bit 15: r2135 Bit 15 (negated)

r0053.0...11

CO/BO: Status word 2 / ZSW 2

Access level: 2	Calculated: -	Data type: Unsigned16
Can be changed: -	Scaling: -	Dyn. index: -
Units group: -	Unit selection: -	Func. diagram: -
Min	Max	Factory setting
-	-	-

Description:

Display and BICO output for status word 2.

Bit field:

Bit	Signal name	1 signal	0 signal	FP
00	DC braking active	Yes	No	-
01	Reserved	Yes	No	-
02	n_act > p1080 (n_min)	Yes	No	-
03	Reserved	Yes	No	-
04	Reserved	Yes	No	-
05	Reserved	Yes	No	-
06	n_act >= r1119 (n_set)	Yes	No	-
07	Reserved	Yes	No	-
08	Reserved	Yes	No	-
09	Reserved	Yes	No	-
10	Technology controller output at the lower limit	Yes	No	-
11	Technology controller output at the upper limit	Yes	No	-

Notice:

p2081 is used to define the signal sources of the PROFIdrive status word interconnection.

Note:

The following status bits are displayed in r0053:

Bit 00: r1239 Bit 8

Bit 02: r2197 Bit 0 (negated)

Bit 06: r2197 Bit 4

Bit 10: r2349 Bit 10

Bit 11: r2349 Bit 11

r0054.0...15		CO/BO: Control word 1 / STW 1			
	Access level: 2	Calculated: -	Data type: Unsigned16		
	Can be changed: -	Scaling: -	Dyn. index: -		
	Units group: -	Unit selection: -	Func. diagram: -		
	Min	Max	Factory setting		
	-	-	-		
Description:	Displays control word 1.				
Bit field:	Bit	Signal name	1 signal	0 signal	FP
	00	ON/OFF1	Yes	No	-
	01	OC / OFF2	Yes	No	-
	02	OC / OFF3	Yes	No	-
	03	Operation enable	Yes	No	-
	04	Ramp-function generator enable	Yes	No	-
	05	Continue ramp-function generator	Yes	No	-
	06	Speed setpoint enable	Yes	No	-
	07	Acknowledge fault	Yes	No	-
	08	Jog bit 0	Yes	No	3030
	09	Jog bit 1	Yes	No	3030
	10	Master ctrl by PLC	Yes	No	-
	11	Direction reversal (setpoint)	Yes	No	-
	13	Motorized potentiometer raise	Yes	No	-
	14	Motorized potentiometer lower	Yes	No	-
	15	CDS bit 0	Yes	No	-
Note:	The following control bits are displayed in r0054:				
	Bit 00: r0898 Bit 0				
	Bit 01: r0898 Bit 1				
	Bit 02: r0898 Bit 2				
	Bit 03: r0898 Bit 3				
	Bit 04: r0898 Bit 4				
	Bit 05: r0898 Bit 5				
	Bit 06: r0898 Bit 6				
	Bit 07: r2138 Bit 7				
	Bit 08: r0898 Bit 8				
	Bit 09: r0898 Bit 9				
	Bit 10: r0898 Bit 10				
	Bit 11: r1198 Bit 11				
	Bit 13: r1198 Bit 13				
	Bit 14: r1198 Bit 14				
	Bit 15: r0836 Bit 0				

r0055.0...15		CO/BO: Supplementary control word / Suppl STW			
	Access level: 3	Calculated: -	Data type: Unsigned16		
	Can be changed: -	Scaling: -	Dyn. index: -		
	Units group: -	Unit selection: -	Func. diagram: 2513		
	Min	Max	Factory setting		
	-	-	-		
Description:	Display and BICO output for supplementary control word.				
Bit field:	Bit	Signal name	1 signal	0 signal	FP
	00	Fixed setp bit 0	Yes	No	-
	01	Fixed setp bit 1	Yes	No	-
	02	Fixed setp bit 2	Yes	No	-
	03	Fixed setp bit 3	Yes	No	-
	04	DDS select. bit 0	Yes	No	-
	05	Reserved	Yes	No	-
	08	Technology controller enable	Yes	No	-
	09	DC braking enable	Yes	No	-
	11	Reserved	Yes	No	-

2 Parameters

2.2 List of parameters

12	Reserved	Yes	No	-
13	External fault 1 (F07860)	No	Yes	-
15	CDS bit 1	Yes	No	-

Note:

CDS: Command Data Set
 The following control bits are displayed in r0055:
 Bit 00: r1198.0
 Bit 01: r1198.1
 Bit 02: r1198.2
 Bit 03: r1198.3
 Bit 04: r0837.0
 Bit 08: r2349.0 (negated)
 Bit 09: r1239.11
 Bit 13: r2138.13 (negated)
 Bit 15: r0836.1

r0056.0...15

CO/BO: Status word, closed-loop control / ZSW cl-loop ctrl

Access level: 3	Calculated: -	Data type: Unsigned16
Can be changed: -	Scaling: -	Dyn. index: -
Units group: -	Unit selection: -	Func. diagram: -
Min	Max	Factory setting
-	-	-

Description:

Display and BICO output for the status word of the closed-loop control.

Bit field:

Bit	Signal name	1 signal	0 signal	FP
00	Initialization completed	Yes	No	-
01	De-magnetizing completed	Yes	No	-
02	Pulse enable available	Yes	No	-
03	Soft starting present	Yes	No	-
04	Magnetizing completed	Yes	No	-
05	Voltage boost when starting	Active	Inactive	6301
06	Acceleration voltage	Active	Inactive	6301
07	Frequency negative	Yes	No	-
08	Field weakening active	Yes	No	-
09	Voltage limit active	Yes	No	6714
10	Slip limit active	Yes	No	6310
11	Frequency limit active	Yes	No	-
12	Current limiting controller voltage output active	Yes	No	-
13	Current/torque limiting	Active	Inactive	6060
14	Vdc_max controller active	Yes	No	6220, 6320
15	Vdc_min controller active	Yes	No	6220, 6320

r0060

CO: Speed setpoint before the setpoint filter / n_set before filt.

Access level: 3	Calculated: -	Data type: FloatingPoint32
Can be changed: -	Scaling: p2000	Dyn. index: -
Units group: 3_1	Unit selection: p0505	Func. diagram: 2701, 2704, 5020, 6030, 6799
Min	Max	Factory setting
- [rpm]	- [rpm]	- [rpm]

Description:

Displays the actual speed setpoint at the input of the speed controller or U/f characteristic (after the interpolator).

Dependency:

Refer to: r0020

Note:

The speed setpoint is available smoothed (r0020) and unsmoothed (r0060).

r0062	CO: Speed setpoint after the filter / n_set after filter		
	Access level: 3	Calculated: -	Data type: FloatingPoint32
	Can be changed: -	Scaling: p2000	Dyn. index: -
	Units group: 3_1	Unit selection: p0505	Func. diagram: 6020, 6030, 6031
	Min	Max	Factory setting
	- [rpm]	- [rpm]	- [rpm]
Description:	Display and connector output for the speed setpoint after the setpoint filters.		
r0063[0...2]	CO: Speed actual value / n_act		
	Access level: 3	Calculated: -	Data type: FloatingPoint32
	Can be changed: -	Scaling: p2000	Dyn. index: -
	Units group: 3_1	Unit selection: p0505	Func. diagram: 6020, 6799
	Min	Max	Factory setting
	- [rpm]	- [rpm]	- [rpm]
Description:	Displays the actual speed of the closed-loop speed control and the U/f control. For U/f control and when slip compensation is deactivated (see p1335), the synchronous speed to the output frequency is shown in r0063[0].		
Index:	[0] = Unsmoothed [1] = Smoothed with p0045 [2] = Calculated from f_set - f_slip		
Dependency:	Refer to: r0021, r0022		
Note:	The speed actual value r0063[0] is additionally displayed - smoothed with p0045 - in r0063[1]. The speed (r0063[2]) calculated from the output frequency and slip can only be compared with the speed actual value (r0063[0]) in the steady-state.		
r0064	CO: Speed controller system deviation / n_ctrl system dev		
	Access level: 3	Calculated: -	Data type: FloatingPoint32
	Can be changed: -	Scaling: p2000	Dyn. index: -
	Units group: 3_1	Unit selection: p0505	Func. diagram: 5040, 6040
	Min	Max	Factory setting
	- [rpm]	- [rpm]	- [rpm]
Description:	Displays the actual system deviation of the speed controller.		
r0065	Slip frequency / f_Slip		
	Access level: 3	Calculated: -	Data type: FloatingPoint32
	Can be changed: -	Scaling: p2000	Dyn. index: -
	Units group: 2_1	Unit selection: p0505	Func. diagram: 6310, 6700, 6727, 6730, 6732
	Min	Max	Factory setting
	- [Hz]	- [Hz]	- [Hz]
Description:	Displays the slip frequency for induction motors (ASM).		
r0066	CO: Output frequency / f_outp		
	Access level: 3	Calculated: -	Data type: FloatingPoint32
	Can be changed: -	Scaling: p2000	Dyn. index: -
	Units group: 2_1	Unit selection: p0505	Func. diagram: 6300, 6310, 6730, 6731, 6799
	Min	Max	Factory setting
	- [Hz]	- [Hz]	- [Hz]
Description:	Display and connector output for the output frequency of the power unit.		
Dependency:	Refer to: r0024		
Note:	The output frequency is available smoothed (r0024) and unsmoothed (r0066).		

2 Parameters

2.2 List of parameters

For vector control and operation with encoder (p0400 > 0), the following applies:

The parameter value corresponds to the actual encoder speed.

r0067	CO: Output current maximum / I_outp max		
	Access level: 3	Calculated: -	Data type: FloatingPoint32
	Can be changed: -	Scaling: p2002	Dyn. index: -
	Units group: 6_2	Unit selection: p0505	Func. diagram: 6300, 6640, 6724
	Min	Max	Factory setting
	- [Arms]	- [Arms]	- [Arms]
Description:	Display and connector output for the maximum output current of the power unit.		
Dependency:	The maximum output current is determined by the parameterized current limit and the motor and converter thermal protection. Refer to: p0290, p0640		

r0068[0...1]	CO: Absolute current actual value / I_act abs val		
	Access level: 3	Calculated: -	Data type: FloatingPoint32
	Can be changed: -	Scaling: p2002	Dyn. index: -
	Units group: 6_2	Unit selection: p0505	Func. diagram: 6300, 6714, 6799, 7017, 8014, 8017, 8018
	Min	Max	Factory setting
	- [Arms]	- [Arms]	- [Arms]
Description:	Displays actual absolute current.		
Index:	[0] = Unsmoothed [1] = Smoothed with p0045		
Dependency:	Refer to: r0027		
Notice:	The value is updated with the current controller sampling time.		
Note:	Absolute current value = $\sqrt{I_q^2 + I_d^2}$ The absolute value of the current actual value is available smoothed (r0027 with 300 ms, r0068[1] with p0045) and unsmoothed (r0068[0]).		

r0069[0...6]	CO: Phase current actual value / I_phase act value		
	Access level: 4	Calculated: -	Data type: FloatingPoint32
	Can be changed: -	Scaling: p2002	Dyn. index: -
	Units group: 6_5	Unit selection: p0505	Func. diagram: 6730, 6731
	Min	Max	Factory setting
	- [A]	- [A]	- [A]
Description:	Display and connector output for the measured actual phase currents as peak value.		
Index:	[0] = Phase U [1] = Phase V [2] = Phase W [3] = Phase U offset [4] = Phase V offset [5] = Phase W offset [6] = Total U, V, W		
Note:	In indices 3 ... 5, the offset currents of the 3 phases, which are added to correct the phase currents, are displayed. The sum of the 3 corrected phase currents is displayed in index 6.		

r0070	CO: Actual DC link voltage / Vdc act val		
	Access level: 3	Calculated: -	Data type: FloatingPoint32
	Can be changed: -	Scaling: p2001	Dyn. index: -
	Units group: 5_2	Unit selection: p0505	Func. diagram: 6723, 6724, 6730, 6731, 6799
	Min	Max	Factory setting
	- [V]	- [V]	- [V]
Description:	Display and connector output for the measured actual value of the DC link voltage.		

Dependency: Refer to: r0026
Notice: When measuring a DC link voltage < 200 V, for the Power Module a valid measured value is not supplied. In this case, when an external 24 V power supply is connected, a value of approx. 24 V is displayed in the display parameter.
Note: The DC link voltage is available smoothed (r0026) and unsmoothed (r0070).

r0071 **Maximum output voltage / U_output max**

Access level: 3	Calculated: -	Data type: FloatingPoint32
Can be changed: -	Scaling: p2001	Dyn. index: -
Units group: 5_1	Unit selection: p0505	Func. diagram: 6301, 6640, 6700, 6722, 6723, 6724, 6725, 6727
Min	Max	Factory setting
- [Vrms]	- [Vrms]	- [Vrms]

Description: Displays the maximum output voltage.
Dependency: The maximum output voltage depends on the actual DC link voltage (r0070) and the maximum modulation depth (p1803).
Note: As the (driven) motor load increases, the maximum output voltage drops as a result of the reduction in DC link voltage.

r0072 **CO: Output voltage / U_output**

Access level: 3	Calculated: -	Data type: FloatingPoint32
Can be changed: -	Scaling: p2001	Dyn. index: -
Units group: 5_1	Unit selection: p0505	Func. diagram: 5700, 6730, 6731, 6799
Min	Max	Factory setting
- [Vrms]	- [Vrms]	- [Vrms]

Description: Display and connector output for the actual output voltage of the power unit.
Dependency: Refer to: r0025
Note: The output voltage is available smoothed (r0025) and unsmoothed (r0072).

r0073 **Maximum modulation depth / Modulat_depth max**

Access level: 4	Calculated: -	Data type: FloatingPoint32
Can be changed: -	Scaling: PERCENT	Dyn. index: -
Units group: -	Unit selection: -	Func. diagram: 6723, 6724
Min	Max	Factory setting
- [%]	- [%]	- [%]

Description: Displays the maximum modulation depth.
Dependency: Refer to: p1803

r0074 **CO: Modulat_depth / Modulat_depth**

Access level: 4	Calculated: -	Data type: FloatingPoint32
Can be changed: -	Scaling: PERCENT	Dyn. index: -
Units group: -	Unit selection: -	Func. diagram: 5730, 6730, 6731, 6799, 8940, 8950
Min	Max	Factory setting
- [%]	- [%]	- [%]

Description: Displays the actual modulation depth.
Dependency: Refer to: r0028
Note: For space vector modulation, 100% corresponds to the maximum output voltage without overcontrol. Values above 100 % indicate an overcontrol condition - values below 100% have no overcontrol. The phase voltage (phase-to-phase, rms) is calculated as follows: $(r0074 \times r0070) / (\sqrt{2} \times 100 \%)$. The modulation depth is available smoothed (r0028) and unsmoothed (r0074).

r0075	CO: Current setpoint field-generating / Id_set		
	Access level: 3	Calculated: -	Data type: FloatingPoint32
	Can be changed: -	Scaling: p2002	Dyn. index: -
	Units group: 6_2	Unit selection: p0505	Func. diagram: 6700, 6714, 6725
	Min	Max	Factory setting
	- [Arms]	- [Arms]	- [Arms]
Description:	Display and connector output for the field-generating current setpoint (Id_set).		
Note:	This value is irrelevant for the U/f control mode.		
r0076	CO: Current actual value field-generating / Id_act		
	Access level: 3	Calculated: -	Data type: FloatingPoint32
	Can be changed: -	Scaling: p2002	Dyn. index: -
	Units group: 6_2	Unit selection: p0505	Func. diagram: 5700, 5714, 5730, 6700, 6714, 6799
	Min	Max	Factory setting
	- [Arms]	- [Arms]	- [Arms]
Description:	Display and connector output for the field-generating current actual voltage (Id_act).		
Dependency:	Refer to: r0029		
Note:	This value is irrelevant for the U/f control mode. The field-generating current actual value is available smoothed (r0029) and unsmoothed (r0076).		
r0077	CO: Current setpoint torque-generating / Iq_set		
	Access level: 3	Calculated: -	Data type: FloatingPoint32
	Can be changed: -	Scaling: p2002	Dyn. index: -
	Units group: 6_2	Unit selection: p0505	Func. diagram: 6700, 6710
	Min	Max	Factory setting
	- [Arms]	- [Arms]	- [Arms]
Description:	Display and connector output for the torque-generating current setpoint.		
Note:	This value is irrelevant for the U/f control mode.		
r0078	CO: Current actual value torque-generating / Iq_act		
	Access level: 3	Calculated: -	Data type: FloatingPoint32
	Can be changed: -	Scaling: p2002	Dyn. index: -
	Units group: 6_2	Unit selection: p0505	Func. diagram: 6310, 6700, 6714, 6799
	Min	Max	Factory setting
	- [Arms]	- [Arms]	- [Arms]
Description:	Display and connector output for the torque-generating current actual voltage (Iq_act).		
Dependency:	Refer to: r0030		
Note:	This value is irrelevant for the U/f control mode. The torque-generating current actual value is available smoothed (r0030 with 300 ms) and unsmoothed (r0078).		
r0079	CO: Torque setpoint / M_set		
	Access level: 3	Calculated: -	Data type: FloatingPoint32
	Can be changed: -	Scaling: p2003	Dyn. index: -
	Units group: 7_1	Unit selection: p0505	Func. diagram: 6020, 6060, 6710
	Min	Max	Factory setting
	- [Nm]	- [Nm]	- [Nm]
Description:	Display and connector output for the torque setpoint at the output of the speed controller.		

r0080[0...1]	CO: Torque actual value / M_act		
	Access level: 3	Calculated: -	Data type: FloatingPoint32
	Can be changed: -	Scaling: p2003	Dyn. index: -
	Units group: 7_1	Unit selection: p0505	Func. diagram: 6714, 6799
	Min - [Nm]	Max - [Nm]	Factory setting - [Nm]
Description:	Display and connector output for actual torque value.		
Index:	[0] = Unsmoothed [1] = Smoothed with p0045		
Dependency:	Refer to: r0031, p0045		
Note:	The value is available smoothed (r0031 with 100 ms, r0080[1] with p0045) and unsmoothed (r0080[0]).		
r0081	CO: Torque utilization / M_Utilization		
	Access level: 4	Calculated: -	Data type: FloatingPoint32
	Can be changed: -	Scaling: PERCENT	Dyn. index: -
	Units group: -	Unit selection: -	Func. diagram: 8012
	Min - [%]	Max - [%]	Factory setting - [%]
Description:	Displays the torque utilization as a percentage. The torque utilization is obtained from the required smoothed torque referred to the torque limit.		
Dependency:	This parameter is only available for vector control. For U/f control r0081 = 0 %. Refer to: r0033		
Note:	The torque utilization is available smoothed (r0033) and unsmoothed (r0081). The torque utilization is obtained from the required torque referred to the torque limit as follows: - Positive torque: $r0081 = (r0079 / r1538) * 100 \%$ - Negative torque: $r0081 = (-r0079 / -r1539) * 100 \%$		
r0082[0...2]	CO: Active power actual value / P_act		
	Access level: 3	Calculated: -	Data type: FloatingPoint32
	Can be changed: -	Scaling: r2004	Dyn. index: -
	Units group: 14_5	Unit selection: p0505	Func. diagram: 6714, 6799
	Min - [kW]	Max - [kW]	Factory setting - [kW]
Description:	Displays the instantaneous active power.		
Index:	[0] = Unsmoothed [1] = Smoothed with p0045 [2] = Electric power		
Dependency:	Refer to: r0032		
Note:	The mechanical active power is available smoothed (r0032 with 100 ms, r0082[1] with p0045) and unsmoothed (r0082[0]).		
r0083	CO: Flux setpoint / Flex setp		
	Access level: 4	Calculated: -	Data type: FloatingPoint32
	Can be changed: -	Scaling: PERCENT	Dyn. index: -
	Units group: -	Unit selection: -	Func. diagram: 5722
	Min - [%]	Max - [%]	Factory setting - [%]
Description:	Displays the flux setpoint.		

2 Parameters

2.2 List of parameters

r0084[0...1]	CO: Flux actual value / Flux act val		
	Access level: 4	Calculated: -	Data type: FloatingPoint32
	Can be changed: -	Scaling: PERCENT	Dyn. index: -
	Units group: -	Unit selection: -	Func. diagram: 6730, 6731
	Min - [%]	Max - [%]	Factory setting - [%]
Description:	Displays the flux actual value.		
Index:	[0] = Unsmoothed [1] = Smoothed		
r0087	CO: Actual power factor / Cos phi act		
	Access level: 4	Calculated: -	Data type: FloatingPoint32
	Can be changed: -	Scaling: -	Dyn. index: -
	Units group: -	Unit selection: -	Func. diagram: -
	Min -	Max -	Factory setting -
Description:	Displays the actual active power factor. This value refers to the electrical power of the basic fundamental signals at the output terminals of the converter.		
r0089[0...2]	Actual phase voltage / U_phase act val		
	Access level: 4	Calculated: -	Data type: FloatingPoint32
	Can be changed: -	Scaling: p2001	Dyn. index: -
	Units group: 5_3	Unit selection: p0505	Func. diagram: 6719
	Min - [V]	Max - [V]	Factory setting - [V]
Description:	Displays the actual phase voltage.		
Index:	[0] = Phase U [1] = Phase V [2] = Phase W		
Note:	The values are determined from the transistor power-on duration.		
p0100	IEC/NEMA mot stds / IEC/NEMA mot stds		
	Access level: 1	Calculated: -	Data type: Integer16
	Can be changed: C(1)	Scaling: -	Dyn. index: -
	Units group: -	Unit selection: -	Func. diagram: -
	Min 0	Max 2	Factory setting 0
Description:	Defines whether the motor and drive converter power settings (e.g. rated motor power, p0307) are expressed in [kW] or [hp]. Depending on the selection, the rated motor frequency (p0310) is either set to 50 Hz or 60 Hz. For p0100 = 0, 2, the following applies: The power factor (p0308) should be parameterized. For p0100 = 1, the following applies: The efficiency (p0309) should be parameterized.		
Value:	0: IEC-Motor (50 Hz, SI units) 1: NEMA motor (60 Hz, US units) 2: NEMA motor (60 Hz, SI units)		
Dependency:	If p0100 is changed, all of the rated motor parameters are reset. Only then are possible unit changeovers made. The units of all motor parameters are changed that are involved with the selection IEC or NEMA. Refer to: r0206, p0210, p0300, p0304, p0305, p0307, p0308, p0309, p0310, p0311, p0320, p0322, p0323, p0335, p1800		
Note:	The parameter value is not reset when the factory setting is restored (p0010 = 30, p0970).		

p0124[0...n]	CU detection via LED / CU detection LED		
Access level: 3	Calculated: -	Data type: Unsigned8	
Can be changed: U, T	Scaling: -	Dyn. index: PDS	
Units group: -	Unit selection: -	Func. diagram: -	
Min	Max	Factory setting	
0	1	0	
Description:	Identification of the Control Unit using an LED.		
Note:	While p0124 = 1, the READY LED flashes green/orange or red/orange with 2 Hz at the appropriate Control Unit.		

p0133[0...n]	Motor configuration / Motor config			
Access level: 2	Calculated: -	Data type: Unsigned16		
Can be changed: C(1, 3)	Scaling: -	Dyn. index: MDS		
Units group: -	Unit selection: -	Func. diagram: -		
Min	Max	Factory setting		
-	-	0000 bin		
Description:	Configuration of the motor when commissioning the motor.			
Bit field:	Bit	Signal name	1 signal	0 signal
	00	Motor connection type	Delta	Star
	01	Motor 87 Hz operation	Yes	No
Dependency:	For standard induction motors (p0301 > 10000), bit 0 is automatically preassigned the connection type of the selected data set. For p0100 > 0 (60 Hz rated motor frequency), it is not possible to select bit 1. Refer to: p0304, p0305, p1082			
Note:	Re bit 00: When changing the bits, the rated motor voltage p0304 and the rated motor current p0305 are automatically converted to the selected connection type (star/delta). Re bit 01: 87 Hz operation is only possible in the delta connection type. When selected, the maximum speed p1082 is automatically preassigned for a maximum output frequency of 87 Hz.			

p0170	Number of Command Data Sets (CDS) / CDS count		
Access level: 2	Calculated: -	Data type: Unsigned8	
Can be changed: C(15)	Scaling: -	Dyn. index: -	
Units group: -	Unit selection: -	Func. diagram: 8560	
Min	Max	Factory setting	
2	2	2	
Description:	Sets the number of Command Data Sets (CDS).		
Dependency:	Refer to: p0010, r3996		
Notice:	When the data sets are created, short-term communication interruptions may occur.		
Note:	It is possible to toggle between command parameters (BICO parameters) using this data set changeover.		

p0180	Number of Drive Data Sets (DDS) / DDS count		
Access level: 3	Calculated: -	Data type: Unsigned8	
Can be changed: C(15)	Scaling: -	Dyn. index: -	
Units group: -	Unit selection: -	Func. diagram: 8565	
Min	Max	Factory setting	
1	2	1	
Description:	Sets the number of Drive Data Sets (DDS).		
Dependency:	Refer to: p0010, r3996		
Notice:	When the data sets are created, short-term communication interruptions may occur.		

2 Parameters

2.2 List of parameters

r0197[0...1]	Bootloader version / Bootloader vers		
	Access level: 4	Calculated: -	Data type: Unsigned32
	Can be changed: -	Scaling: -	Dyn. index: -
	Units group: -	Unit selection: -	Func. diagram: -
	Min	Max	Factory setting
	-	-	-
Description:	Displays the bootloader version. Index 0: Displays the bootloader version. Index 1: Displays the bootloader version 3 (for CU320-2 and CU310-2) Value 0 means that boot loader 3 is not available.		
Dependency:	Refer to: r0018, r0198		
Note:	Example: The value 1010100 should be interpreted as V01.01.01.00.		

r0198[0...2]	BIOS/EEPROM data version / BIOS/EEPROM vers		
	Access level: 4	Calculated: -	Data type: Unsigned32
	Can be changed: -	Scaling: -	Dyn. index: -
	Units group: -	Unit selection: -	Func. diagram: -
	Min	Max	Factory setting
	-	-	-
Description:	Displays the BIOS and EEPROM data version. r0198[0]: BIOS version r0198[1]: EEPROM data version EEPROM 0 r0198[2]: EEPROM data version EEPROM 1		
Dependency:	Refer to: r0018, r0197		
Note:	Example: The value 1010100 should be interpreted as V01.01.01.00.		

p0201[0...n]	Power unit code number / PU code no		
	Access level: 3	Calculated: -	Data type: Unsigned16
	Can be changed: C(2)	Scaling: -	Dyn. index: PDS
	Units group: -	Unit selection: -	Func. diagram: -
	Min	Max	Factory setting
	0	65535	0
Description:	Sets the actual code number from r0200 to acknowledge the power unit being used. When commissioned for the first time, the code number is automatically transferred from r0200 into p0201.		
Note:	The parameter is used to identify when the drive is being commissioned for the first time. The power unit commissioning can only be exited (p0201 = r0200), if the actual and acknowledged code numbers are identical (p0010 = 2). When the code number is changed, the connection voltage (p0210) is checked and, if necessary, adjusted.		

r0204[0...n]	Power unit hardware properties / PU HW property		
	Access level: 3	Calculated: -	Data type: Unsigned32
	Can be changed: -	Scaling: -	Dyn. index: PDS
	Units group: -	Unit selection: -	Func. diagram: -
	Min	Max	Factory setting
	-	-	-
Description:	Displays the properties supported by the power unit hardware.		

Bit field:	Bit	Signal name	1 signal	0 signal	FP
	01	RFI filter available	Yes	No	-
	07	F3E regenerative feedback into the line supply	Yes	No	-
	08	Internal Braking Module	Yes	No	-
	12	Safe Brake Control (SBC) supported	No	Yes	-
	13	Safety Integrated supported	Yes	No	-
	14	Internal LC output filter	Yes	No	-
	15	Line voltage	1-phase	3-phase	-

p0205	Power unit application / PU application	
Access level: 1	Calculated: -	Data type: Integer16
Can be changed: C(1, 2)	Scaling: -	Dyn. index: -
Units group: -	Unit selection: -	Func. diagram: -
Min	Max	Factory setting
0	1	0
Description:	The duty cycles can be overloaded provided that the drive converter is operated with its base load current before and after the overload. This is based on a load duty cycle of 300 s.	
Value:	0: Load duty cycle with high overload for vector drives 1: Load duty cycle with low overload for vector drives	
Dependency:	Refer to: r3996	
Notice:	The parameter value is not reset when the factory setting is restored (see p0010 = 30, p0970). When the power unit use is changed, short-term communication interruptions may occur.	
Note:	When the parameter is changed, all of the motor parameters (p0305 ... p0311), the technological application (p0500) and the control mode (p1300) are pre-assigned according to the selected application. The parameter has no influence when calculating the thermal overload. p0205 can only be changed to the settings that are saved in the power unit EEPROM.	

r0206[0...4]	Rated power unit power / PU P _{rated}	
Access level: 2	Calculated: -	Data type: FloatingPoint32
Can be changed: -	Scaling: -	Dyn. index: -
Units group: 14_6	Unit selection: p0100	Func. diagram: -
Min	Max	Factory setting
- [kW]	- [kW]	- [kW]
Description:	Displays the rated power unit power for various load duty cycles.	
Index:	[0] = Rated value [1] = Load duty cycle with low overload [2] = Load duty cycle with high overload [3] = S1 cont duty cyc [4] = S6 load duty cycle	
Dependency:	IECdrives (p0100 = 0): Units kW NEMA drives (p0100 = 1): Units hp Refer to: p0100, p0205	

r0207[0...4]	Rated power unit current / PU PI _{rated}	
Access level: 3	Calculated: -	Data type: FloatingPoint32
Can be changed: -	Scaling: -	Dyn. index: -
Units group: -	Unit selection: -	Func. diagram: 8014
Min	Max	Factory setting
- [Arms]	- [Arms]	- [Arms]
Description:	Displays the rated power unit power for various load duty cycles.	
Index:	[0] = Rated value [1] = Load duty cycle with low overload [2] = Load duty cycle with high overload [3] = Reserved [4] = Reserved	
Dependency:	Refer to: p0205	

r0208	Rated power unit line supply voltage / PU U_{rated}		
	Access level: 2	Calculated: -	Data type: FloatingPoint32
	Can be changed: -	Scaling: -	Dyn. index: -
	Units group: -	Unit selection: -	Func. diagram: -
	Min	Max	Factory setting
	- [Vrms]	- [Vrms]	- [Vrms]
Description:	Displays the rated line supply voltage of the power unit. r0208 = 400 : 380 - 480 V +/-10 % r0208 = 500 : 500 - 600 V +/-10 % r0208 = 690 : 660 - 690 V +/-10 %		
r0209[0...4]	Power unit maximum current / PU I_{max}		
	Access level: 3	Calculated: -	Data type: FloatingPoint32
	Can be changed: -	Scaling: -	Dyn. index: -
	Units group: -	Unit selection: -	Func. diagram: 8750, 8850, 8950
	Min	Max	Factory setting
	- [Arms]	- [Arms]	- [Arms]
Description:	Displays the maximum output current of the power unit.		
Index:	[0] = Catalog [1] = Load duty cycle with low overload [2] = Load duty cycle with high overload [3] = Reserved [4] = Reserved		
Dependency:	Refer to: p0205		
p0210	Drive unit line supply voltage / V_{connect}		
	Access level: 3	Calculated: -	Data type: Unsigned16
	Can be changed: C(2), T	Scaling: -	Dyn. index: -
	Units group: -	Unit selection: -	Func. diagram: -
	Min	Max	Factory setting
	1 [V]	63000 [V]	400 [V]
Description:	Sets the drive unit supply voltage (rms value of the phase-to-phase line supply voltage).		
Dependency:	Set p1254, p1294 (automatic detection of the Vdc switch-on levels) = 0. The switch-in thresholds of the Vdc_max controller (r1242, r1282) are then directly determined using p0210.		
Notice:	If, in the switched-off state (pulse inhibit), the supply voltage is higher than the entered value, the Vdc controller may be automatically de-activated in some cases to prevent the motor from accelerating the next time the system is switched on. In this case, an appropriate alarm A07401 is output.		
Note:	Setting ranges for p0210 as a function of the rated power unit voltage: U _{rated} = 230 V: - p0210 = 200 ... 240 V U _{rated} = 400 V: - p0210 = 380 ... 480 V U _{rated} = 690 V: - p0210 = 660 ... 690 V		
p0219	Braking resistor braking power / R_{brake} P_{brake}		
	Access level: 3	Calculated: -	Data type: FloatingPoint32
	Can be changed: C(1, 2), T	Scaling: -	Dyn. index: -
	Units group: 14_6	Unit selection: p0100	Func. diagram: -
	Min	Max	Factory setting
	0.00 [kW]	20000.00 [kW]	0.00 [kW]
Description:	Sets the braking power of the connected braking resistor.		
Dependency:	Refer to: p1240, p1280, p1531		

Note: When setting a value for the braking power, the following calculations are made:

- p1240, p1280: Vdc_max control is deactivated.
- p1531 = - p0219: the power limit when generating is set (limited to - p1530).
- The minimum ramp-down time is calculated (p1127) as a function of p0341, p0342 and p1082 (not for vector control with speed encoder).

If the parameter is reset again to zero, then the Vdc_max controller is reactivated and the power limit as well as the ramp-down time are recalculated.

p0230	Drive filter type motor side / Drv filt type mot		
	Access level: 1	Calculated: -	Data type: Integer16
	Can be changed: C(1, 2)	Scaling: -	Dyn. index: -
	Units group: -	Unit selection: -	Func. diagram: -
	Min	Max	Factory setting
	0	4	0
Description:	Sets the type of the filter at the motor side.		
Value:	0: No filter 1: Motor reactor 2: dv/dt filter 3: Sine-wave filter Siemens 4: Sine-wave filter third-party		
Dependency:	The following parameters are influenced using p0230: p0230 = 1: --> p0233 (power unit, motor reactor) = filter inductance p0230 = 3: --> p0233 (power unit, motor reactor) = filter inductance --> p0234 (power unit sine-wave filter capacitance) = filter capacitance --> p0290 (power unit overload response) = inhibit pulse frequency reduction --> p1082 (maximum speed) = Fmax filter / pole pair number --> p1800 (pulse frequency) >= nominal pulse frequency of the filter --> p1802 (modulator modes) = space vector modulation without overcontrol p0230 = 4: --> p0290 (power unit overload response) = inhibit pulse frequency reduction --> p1802 (modulator modes) = space vector modulation without overcontrol The user must set the following parameters according to the data sheet of the sine-wave filter and also the user must check whether they are permitted. --> p0233 (power unit, motor reactor) = filter inductance --> p0234 (power unit sine-wave filter capacitance) = filter capacitance --> p1082 (maximum speed) = Fmax filter / pole pair number --> p1800 (pulse frequency) >= nominal pulse frequency of the filter Refer to: p0233, p0234, p0290, p1082, p1800, p1802		
Note:	The parameter cannot be changed if the power unit (e.g. PM260) is equipped with an internal sine-wave filter. For sine-wave filters, the test pulse evaluation to detect short-circuits is always deactivated. if a filter type cannot be selected, then this filter type is not permitted for the Motor Module. p0230 = 1: Power units with output reactor are limited to output frequencies of 150 Hz. p0230 = 3: Power units with sine-wave filter are limited to output frequencies of 200 Hz.		

p0233	Power unit motor reactor / PU mot reactor		
	Access level: 2	Calculated: -	Data type: FloatingPoint32
	Can be changed: C(2), U, T	Scaling: -	Dyn. index: -
	Units group: -	Unit selection: -	Func. diagram: -
	Min	Max	Factory setting
	0.000 [mH]	1000.000 [mH]	0.000 [mH]
Description:	Enter the inductance of a filter connected at the power unit output.		

2 Parameters

2.2 List of parameters

Dependency: This parameter is automatically pre-set when you select a filter via p0230 if a SIEMENS filter is defined for the power unit.

Refer to: p0230

Note: When exiting the quick commissioning using p3900 = 1, the parameter value is set to the value of the defined SIEMENS filter or to zero. For this reason, the parameter value of a third-party filter only has to be entered outside the commissioning phase (p0010 = 0) and then the controller calculation (p0340 = 3) is carried out.

The parameter cannot be changed if the power unit has an internal sine-wave filter.

p0234

Power unit sine-wave filter capacitance / PU sine filter C

Access level: 2 **Calculated:** - **Data type:** FloatingPoint32

Can be changed: C(2), U, T **Scaling:** - **Dyn. index:** -

Units group: - **Unit selection:** - **Func. diagram:** -

Min **Max** **Factory setting**

0.000 [µF] 1000.000 [µF] 0.000 [µF]

Description: Enters the capacitance of a sine-wave filter connected at the power unit output.

Dependency: This parameter is automatically pre-set when you select a filter via p0230 if a SIEMENS filter is defined for the power unit.

Refer to: p0230

Note: The parameter value includes the sum of all of the capacitances of a phase connected in series (phase - ground).

When exiting the quick commissioning using p3900 = 1, the parameter value is set to the value of the defined SIEMENS filter or to zero. For this reason, the parameter value of a third-party filter only has to be entered outside the commissioning phase (p0010 = 0).

The parameter cannot be changed if the power unit has an internal sine-wave filter.

r0238

Internal power unit resistance / PU R internal

Access level: 3 **Calculated:** - **Data type:** FloatingPoint32

Can be changed: - **Scaling:** - **Dyn. index:** -

Units group: - **Unit selection:** - **Func. diagram:** -

Min **Max** **Factory setting**

- [ohm] - [ohm] - [ohm]

Description: Displays the internal resistance of the power unit (IGBT and line resistance).

p0287[0...1]

Ground fault monitoring thresholds / Gnd fit threshold

Access level: 3 **Calculated:** - **Data type:** FloatingPoint32

Can be changed: T **Scaling:** - **Dyn. index:** -

Units group: - **Unit selection:** - **Func. diagram:** -

Min **Max** **Factory setting**

0.0 [%] 100.0 [%] [0] 6.0 [%]
[1] 16.0 [%]

Description: Sets the shutdown thresholds for the ground fault monitoring.

The setting is made as a percentage of the maximum current of the power unit (r0209).

Index: [0] = Threshold at which pre-charging starts

[1] = Threshold at which pre-charging stops

Dependency: Refer to: p1901

Note: This parameter is only relevant for chassis power units.

r0289

CO: Maximum power unit output current / PU I_out max

Access level: 3 **Calculated:** - **Data type:** FloatingPoint32

Can be changed: - **Scaling:** p2002 **Dyn. index:** -

Units group: - **Unit selection:** - **Func. diagram:** -

Min **Max** **Factory setting**


- [Arms] - [Arms] - [Arms]

Description: Displays the actual maximum output current of the power unit taking into account derating factors.

p0290 Power unit overload response / PU overld response			
Access level: 3	Calculated: -	Data type: Integer16	
Can be changed: T	Scaling: -	Dyn. index: -	
Units group: -	Unit selection: -	Func. diagram: 8014	
Min	Max	Factory setting	
0	13	2	
Description:	Sets the response to a thermal overload condition of the power unit. The following quantities can result in a response to thermal overload: - heat sink temperature (r0037.0). - chip temperature (r0037.1). - power unit overload I2t (r0036). Possible measures to avoid thermal overload: - reduce the output current limit r0289 and r0067 or the output frequency (for U/f control) indirectly via the output current limit and the intervention of the current limiting controller). - reduce the pulse frequency. A reduction, if parameterized, is always realized after an appropriate alarm is output.		
Value:	0: Reduce output current or output frequency 1: No reduction shutdown when overload threshold is reached 2: Reduce I_output or f_output and f_pulse (not using I2t) 3: Reduce the pulse frequency (not using I2t) 12: I_output or f_output and automatic pulse frequency reduction 13: Automatic pulse frequency reduction		
Dependency:	If a sine-wave filter is parameterized as output filter (p0230 = 3, 4), then only responses can be selected without pulse frequency reduction (p0290 = 0, 1). For a thermal power unit overload, an appropriate alarm or fault is output, and r2135.15 or r2135.13 set. Refer to: r0036, r0037, p0230, r2135		
Notice:	If the thermal overload of the power unit is not sufficiently reduced by the actions taken, the drive is always shut down. This means that the power unit is always protected irrespective of the setting of this parameter.		
Note:	The setting p0290 = 0, 2 is only practical if the load decreases with decreasing speed (e.g. for applications with variable torque such as for pumps and fans). Under overload conditions, if the current and torque limits are reduced, and therefore the motor is braked, then forbidden speed ranges (e.g. minimum speed and suppression [skip] speeds) can also be passed through. For p0290 = 2, 3, 12, 13, the I2t overload detection of the power unit does not influence the response "Reduce pulse frequency". When the motor data identification routine is selected, p0290 cannot be changed. For short-circuit/ground fault detection, when the test pulse evaluation is active via p1901 "Test pulse evaluation configuration", the pulse frequency at the instant of switch on is briefly reduced.		

p0292[0...1] Power unit temperature alarm threshold / PU T_alarm thresh			
Access level: 3	Calculated: -	Data type: FloatingPoint32	
Can be changed: U, T	Scaling: -	Dyn. index: -	
Units group: -	Unit selection: -	Func. diagram: -	
Min	Max	Factory setting	
0 [°C]	25 [°C]	[0] 5 [°C] [1] 15 [°C]	
Description:	Sets the alarm threshold for power unit overtemperatures. The value is set as a difference to the tripping (shutdown) temperature. Drive: If this threshold is exceeded, an overload alarm is generated and the system responds as parameterized in p0290. Infeed: When the threshold value is exceeded, only an overload alarm is output.		
Index:	[0] = Heat sink temperature [1] = Power semiconductor (chip) temperature		
Dependency:	Refer to: r0037, p0290		

p0295	Fan run-on time / Fan run-on time		
	Access level: 3	Calculated: -	Data type: FloatingPoint32
	Can be changed: U, T	Scaling: -	Dyn. index: -
	Units group: -	Unit selection: -	Func. diagram: -
	Min	Max	Factory setting
	0 [s]	600 [s]	0 [s]
Description:	Sets the fan run-on time after the pulses for the power unit have been canceled.		
Note:	<ul style="list-style-type: none"> - Under certain circumstances, the fan can continue to run for longer than was set (e.g. as a result of the excessively high heat sink temperature). - For values less than 1 s, a 1 s run on time for the fan is active. - for a PM230 power unit, sizes D - F the parameter is ineffective. 		

p0300[0...n]	Motor type selection / Mot type sel		
	Access level: 2	Calculated: -	Data type: Integer16
	Can be changed: C(1, 3)	Scaling: -	Dyn. index: MDS
	Units group: -	Unit selection: -	Func. diagram: 6310
	Min	Max	Factory setting
	0	100	0
Description:	<p>Selecting the motor type.</p> <p>The first digit of the parameter value always defines the general motor type and corresponds to the third-party motor belonging to a motor list:</p> <p>1 = Rotating induction motor 2 = Rotating synchronous motor</p> <p>The type information must be entered to filter motor-specific parameters and to optimize the operating characteristics and behavior. For example, for synchronous motors, power factor (p0308) is neither used nor displayed (in the BOP/IOP).</p>		
Value:	<p>0: No motor 1: Induction motor 2: Synchronous motor 10: 1LE1 induction motor 13: 1LG6 induction motor 17: 1LA7 induction motor 19: 1LA9 induction motor 100: 1LE1 induction motor</p>		
Dependency:	<p>When the motor type is changed, the code number in p0301 may be reset to 0.</p> <p>When selecting a motor type from the 1LA7 series, parameters of the thermal motor model are pre-assigned as a function of p0307 and p0311.</p>		
Caution:	<p>If a motor is selected, which is not contained in the motor lists (p0300 < 100), then the motor code number must be reset (p0301 = 0), if previously a motor was parameterized from the motor list.</p>		
			
Note:	<p>Once the Control Unit has been powered up for the first time or if the factory settings have been defined accordingly, the motor type is pre-configured to induction motor (p0300 = 1).</p> <p>If a motor type has not been selected (p0300 = 0), then the drive commissioning routine cannot be exited.</p>		

p0301[0...n]	Motor code number selection / Mot code No. sel		
	Access level: 2	Calculated: -	Data type: Unsigned16
	Can be changed: C(1, 3)	Scaling: -	Dyn. index: MDS
	Units group: -	Unit selection: -	Func. diagram: -
	Min	Max	Factory setting
	0	65535	0
Description:	<p>The parameter is used to select a motor from a motor parameter list.</p> <p>When changing the code number (with the exception to the value 0), all of the motor parameters are pre-assigned from the internally available parameter lists.</p>		
Dependency:	<p>Code numbers can only be selected for motor types that correspond to the motor type selected in p0300.</p> <p>Refer to: p0300</p>		

Note: The motor code number can only be changed if the matching catalog motor was first selected in p0300.
When selecting a catalog motor (p0300 >= 100), drive commissioning can only be exited if a code number is selected.
If a change is made to a non-catalog motor, then the motor code number should be reset (p0301 = 0).

p0304[0...n]	Rated motor voltage / Mot U _{rated}		
Access level: 1	Calculated: -	Data type: FloatingPoint32	
Can be changed: C(1, 3)	Scaling: -	Dyn. index: MDS	
Units group: -	Unit selection: -	Func. diagram: 6301, 6724	
Min	Max	Factory setting	
0 [Vrms]	20000 [Vrms]	0 [Vrms]	
Description:	Sets the rated motor voltage (rating plate).		
Notice:	When selecting a catalog motor (p0301), this parameter is automatically pre-assigned and is write protected. Information in p0300 should be carefully observed when removing write protection.		
Note:	When the parameter value is entered the connection type of the motor (star-delta) must be taken into account. Once the Control Unit has booted for the first time or if the factory settings have been restored, the parameter is pre-assigned to match the power unit.		

p0305[0...n]	Rated motor current / Mot I _{rated}		
Access level: 1	Calculated: -	Data type: FloatingPoint32	
Can be changed: C(1, 3)	Scaling: -	Dyn. index: MDS	
Units group: -	Unit selection: -	Func. diagram: 6301	
Min	Max	Factory setting	
0.00 [Arms]	10000.00 [Arms]	0.00 [Arms]	
Description:	Sets the rated motor current (rating plate).		
Notice:	When selecting a catalog motor (p0301), this parameter is automatically pre-assigned and is write protected. Information in p0300 should be carefully observed when removing write protection. If p0305 is changed during quick commissioning (p0010 = 1), then the maximum current p0640 is pre-assigned accordingly.		
Note:	When the parameter value is entered the connection type of the motor (star-delta) must be taken into account. Once the Control Unit has booted for the first time or if the factory settings have been restored, the parameter is pre-assigned to match the power unit.		

p0306[0...n]	Number of motors connected in parallel / Motor qty		
Access level: 1	Calculated: -	Data type: Unsigned8	
Can be changed: C(1, 3)	Scaling: -	Dyn. index: MDS	
Units group: -	Unit selection: -	Func. diagram: -	
Min	Max	Factory setting	
1	50	1	
Description:	Sets the number (count) of motors that can be operated in parallel using one motor data set. Depending on the motor number entered, internally an equivalent motor is calculated. The following should be observed in motors connected in parallel: Rating plate data should only be entered for one motor: p0305, p0307 The following parameters are also only valid for one motor: p0320, p0341, p0344, p0350 ... p0361 All other motor parameters take into account the replacement/equivalent motor (e.g. r0331, r0333). For motors connected in parallel, external thermal protection should be provided for each individual motor.		
Recommend.:	Refer to: r0331, r0382		
Dependency:	The motors to be connected in parallel must be of the same type and size (same order no. (MLFB)).		
Caution:	The mounting regulations when connecting motors in parallel must be carefully maintained! The number of motors set must correspond to the number of motors that are actually connected in parallel. After changing p0306, it is imperative that the control parameters are adapted (e.g. using automatic calculation with p0340 = 1, p3900 > 0). For induction motors that are connected in parallel, but which are not mechanically coupled with one another, then the following applies: - an individual motor must not be loaded beyond its stall point.		



2 Parameters

2.2 List of parameters

Notice: If p0306 is changed during quick commissioning (p0010 = 1), then the maximum current p0640 is appropriately pre-assigned.

Note: Only operation with U/f characteristic makes sense if more than 10 identical motors are connected in parallel.

p0307[0...n]	Rated motor power / Mot P_{rated}		
	Access level: 1	Calculated: -	Data type: FloatingPoint32
	Can be changed: C(1, 3)	Scaling: -	Dyn. index: MDS
	Units group: 14_6	Unit selection: p0100	Func. diagram: -
	Min	Max	Factory setting
	0.00 [kW]	100000.00 [kW]	0.00 [kW]
Description:	Sets the rated motor power (rating plate).		
Dependency:	IECdrives (p0100 = 0): Units kW NEMA drives (p0100 = 1): Units hp NEMA drives (p0100 = 2): Unit kW Refer to: p0100		
Notice:	When selecting a catalog motor (p0301), this parameter is automatically pre-assigned and is write protected. Information in p0300 should be carefully observed when removing write protection.		
Note:	Once the Control Unit has booted for the first time or if the factory settings have been restored, the parameter is pre-assigned to match the power unit.		

p0308[0...n]	Rated motor power factor / Mot cos phi rated		
	Access level: 1	Calculated: -	Data type: FloatingPoint32
	Can be changed: C(1, 3)	Scaling: -	Dyn. index: MDS
	Units group: -	Unit selection: -	Func. diagram: -
	Min	Max	Factory setting
	0.000	1.000	0.000
Description:	Sets the rated motor power factor (cos phi, rating plate). For a parameter value of 0.000, the power factor is internally calculated.		
Dependency:	This parameter is only available for p0100 = 0, 2. Refer to: p0100, p0309		
Notice:	When selecting a catalog motor (p0301), this parameter is automatically pre-assigned and is write protected. Information in p0300 should be carefully observed when removing write protection.		
Note:	The parameter is not used for synchronous motors (p0300 = 2xx). Once the Control Unit has booted for the first time or if the factory settings have been restored, the parameter is pre-assigned to match the power unit.		

p0309[0...n]	Rated motor efficiency / Mot eta_{rated}		
	Access level: 1	Calculated: -	Data type: FloatingPoint32
	Can be changed: C(1, 3)	Scaling: -	Dyn. index: MDS
	Units group: -	Unit selection: -	Func. diagram: -
	Min	Max	Factory setting
	0.0 [%]	99.9 [%]	0.0 [%]
Description:	Sets the rated motor efficiency (rating plate). For a parameter value of 0.0, the power factor is internally calculated.		
Dependency:	This parameter is only visible for NEMA motors (p0100 = 1, 2). Refer to: p0100, p0308		
Note:	The parameter is not used for synchronous motors.		

p0310[0...n]	Rated motor frequency / Mot f_{rated}		
	Access level: 1	Calculated: -	Data type: FloatingPoint32
	Can be changed: C(1, 3)	Scaling: -	Dyn. index: MDS
	Units group: -	Unit selection: -	Func. diagram: 6301
	Min	Max	Factory setting
	0.00 [Hz]	650.00 [Hz]	0.00 [Hz]
Description:	Sets the rated motor frequency (rating plate).		
Dependency:	The number of pole pairs is automatically re-calculated when the parameter is changed (together with p0311), if p0314 = 0. The rated frequency is restricted to values between 1.00 Hz and 650.00 Hz. Refer to: p0311		
Notice:	When selecting a catalog motor (p0301), this parameter is automatically pre-assigned and is write protected. Information in p0300 should be carefully observed when removing write protection. If p0310 is changed during quick commissioning (p0010 = 1), the maximum speed p1082, which is also associated with quick commissioning, is pre-assigned accordingly. This is not the case when commissioning the motor (p0010 = 3).		
Note:	Once the Control Unit has been booted up for the first time or if the factory settings have been defined accordingly, the parameter is defined in accordance with the power unit.		

p0311[0...n]	Rated motor speed / Mot n_{rated}		
	Access level: 1	Calculated: -	Data type: FloatingPoint32
	Can be changed: C(1, 3)	Scaling: -	Dyn. index: MDS
	Units group: -	Unit selection: -	Func. diagram: -
	Min	Max	Factory setting
	0.0 [rpm]	210000.0 [rpm]	0.0 [rpm]
Description:	Sets the rated motor speed (rating plate). For p0311 = 0, the rated motor slip of induction motors is internally calculated and displayed in r0330. It is especially important to correctly enter the rated motor speed for vector control and slip compensation for U/f control.		
Dependency:	If p0311 is changed and for p0314 = 0, the pole pair is re-calculated automatically. Refer to: p0310		
Notice:	When selecting a catalog motor (p0301), this parameter is automatically pre-assigned and is write protected. Information in p0300 should be carefully observed when removing write protection. If p0311 is changed during quick commissioning (p0010 = 1), the maximum speed p1082, which is also associated with quick commissioning, is pre-assigned accordingly. This is not the case when commissioning the motor (p0010 = 3).		
Note:	Once the Control Unit has been booted up for the first time or if the factory settings have been defined accordingly, the parameter is defined in accordance with the power unit.		

p0312[0...n]	Rated motor torque / Mot M_{rated}		
	Access level: 3	Calculated: -	Data type: FloatingPoint32
	Can be changed: C(3)	Scaling: -	Dyn. index: MDS
	Units group: -	Unit selection: -	Func. diagram: -
	Min	Max	Factory setting
	0.00 [Nm]	1000000.00 [Nm]	0.00 [Nm]
Description:	Sets the rated motor torque (rating plate).		
Notice:	When selecting a catalog motor (p0301), this parameter is automatically pre-assigned and is write protected. Information in p0300 should be carefully observed when removing write protection.		

2 Parameters

2.2 List of parameters

p0316[0...n]	Motor torque constant / Mot kT		
	Access level: 4	Calculated: -	Data type: FloatingPoint32
	Can be changed: C(1, 3), U, T	Scaling: -	Dyn. index: MDS
	Units group: 28_1	Unit selection: p0100	Func. diagram: -
	Min	Max	Factory setting
	0.00 [Nm/A]	400.00 [Nm/A]	0.00 [Nm/A]
Description:	Sets the torque constant of the synchronous motor. p0316 = 0: The torque constant is calculated from the motor data. p0316 > 0: The selected value is used as torque constant.		
Notice:	When selecting a catalog motor (p0301), this parameter is automatically pre-assigned and is write protected. Information in p0300 should be carefully observed when removing write protection.		
Note:	This parameter is not used for induction motors (p0300 = 1xx).		

p0320[0...n]	Motor rated magnetizing current/short-circuit current / Mot I_mag_rated		
	Access level: 3	Calculated: -	Data type: FloatingPoint32
	Can be changed: C(3), U, T	Scaling: -	Dyn. index: MDS
	Units group: -	Unit selection: -	Func. diagram: -
	Min	Max	Factory setting
	0.000 [Arms]	5000.000 [Arms]	0.000 [Arms]
Description:	Induction motors: Sets the rated motor magnetizing current. For p0320 = 0.000 the magnetizing current is internally calculated and displayed in r0331. Synchronous motors: Sets the rated motor short-circuit current.		
Notice:	When selecting a catalog motor (p0301), this parameter is automatically pre-assigned and is write protected. Information in p0300 should be carefully observed when removing write protection.		
Note:	The magnetizing current p0320 for induction motors is reset when quick commissioning is exited with p3900 > 0. If, for induction motors, the magnetizing current p0320 is changed outside the commissioning phase (p0010 > 0), then the magnetizing inductance p0360 is changed so that the EMF remains constant.		

p0322[0...n]	Maximum motor speed / Mot n_max		
	Access level: 1	Calculated: -	Data type: FloatingPoint32
	Can be changed: C(1, 3)	Scaling: -	Dyn. index: MDS
	Units group: -	Unit selection: -	Func. diagram: -
	Min	Max	Factory setting
	0.0 [rpm]	210000.0 [rpm]	0.0 [rpm]
Description:	Sets the maximum motor speed.		
Dependency:	Refer to: p1082		
Notice:	When selecting a catalog motor (p0301), this parameter is automatically pre-assigned and is write protected. Information in p0300 should be carefully observed when removing write protection. If p0322 is changed during quick commissioning (p0010 = 1), the maximum speed p1082, which is also associated with quick commissioning, is pre-assigned accordingly.		
Note:	The parameter has no significance for a value of p0322 = 0.		

p0323[0...n]	Maximum motor current / Mot I_max		
	Access level: 1	Calculated: -	Data type: FloatingPoint32
	Can be changed: C(1, 3)	Scaling: -	Dyn. index: MDS
	Units group: -	Unit selection: -	Func. diagram: -
	Min	Max	Factory setting
	0.00 [Arms]	20000.00 [Arms]	0.00 [Arms]
Description:	Sets the maximum permissible motor current (e.g. de-magnetizing current for synchronous motors).		

Notice: When selecting a catalog motor (p0301), this parameter is automatically pre-assigned and is write protected. Information in p0300 should be carefully observed when removing write protection.
If p0323 is changed during quick commissioning (p0010 = 1), then the maximum current p0640 is pre-assigned accordingly.

Note: The parameter has no effect for induction motors.
The parameter has not effect for synchronous motors if a value of 0.0 is entered. The user-selectable current limit is entered into p0640.

p0325[0...n]	Motor pole position identification current 1st phase / Mot PolID I 1st ph		
Access level: 3	Calculated: -	Data type: FloatingPoint32	
Can be changed: U, T	Scaling: -	Dyn. index: MDS	
Units group: -	Unit selection: -	Func. diagram: -	
Min	Max	Factory setting	
0.000 [Arms]	10000.000 [Arms]	0.000 [Arms]	

Description: Sets the current for the 1st phase of the two-stage technique for pole position identification routine.

The current of the 2nd phase is set in p0329.

The two-stage technique is selected with p1980 = 4.

Dependency: Refer to: p0329, p1980

Notice: When the motor code (p0301) is changed, it is possible that p0325 is not pre-assigned.
p0325 can be pre-assigned using p0340 = 3.

Note: The value is automatically pre-assigned for the following events:
- For p0325 = 0 and automatic calculation of the closed-loop control parameters (p0340 = 1, 2, 3).
- for quick commissioning (p3900 = 1, 2, 3).

p0329[0...n]	Motor pole position identification current / Mot PolID current		
Access level: 3	Calculated: -	Data type: FloatingPoint32	
Can be changed: C(3), U, T	Scaling: -	Dyn. index: MDS	
Units group: -	Unit selection: -	Func. diagram: -	
Min	Max	Factory setting	
0.00 [Arms]	10000.00 [Arms]	0.00 [Arms]	

Description: Sets the current for the pole position identification routine (p1980 = 1).

For a two-stage technique (p1980 = 4), the current is set for the 2nd phase.

The current for the 1st phase is set in p0325.

Dependency: If a maximum current (p0323) was not parameterized, then p0329 is limited to the rated motor current.

If p0329 is too small in order to determine the pole position (for p1980 = 1), then p0323 must be first parameterized and significantly greater than p0329.

Refer to: p0325, p1980

Notice: When selecting a catalog motor (p0301), this parameter is automatically pre-assigned and is write protected. Information in p0300 should be carefully observed when removing write protection.

r0330[0...n]	Rated motor slip / Mot slip_rated		
Access level: 3	Calculated: -	Data type: FloatingPoint32	
Can be changed: -	Scaling: -	Dyn. index: MDS	
Units group: -	Unit selection: -	Func. diagram: -	
Min	Max	Factory setting	
- [Hz]	- [Hz]	- [Hz]	

Description: Displays the rated motor slip.

Dependency: The rated slip is calculated from the rated frequency, rated speed and number of pole pairs.

Refer to: p0310, p0311

Note: The parameter is not used for synchronous motors (p0300 = 2xx).

2 Parameters

2.2 List of parameters

r0331[0...n]	Actual motor magnetizing current/short-circuit current / Mot I_mag_rtd act	
Access level: 3	Calculated: -	Data type: FloatingPoint32
Can be changed: -	Scaling: -	Dyn. index: MDS
Units group: -	Unit selection: -	Func. diagram: 6722, 6724
Min	Max	Factory setting
- [Arms]	- [Arms]	- [Arms]
Description:	Induction motor: Displays the rated magnetizing current from p0320. For p0320 = 0, the internally calculated magnetizing current is displayed. Synchronous motor: Displays the rated short-circuit current from p0320.	
Dependency:	If p0320 was not entered, then the parameter is calculated from the rating plate parameters.	

r0333[0...n]	Rated motor torque / Mot M_rated	
Access level: 3	Calculated: -	Data type: FloatingPoint32
Can be changed: -	Scaling: -	Dyn. index: MDS
Units group: 7_4	Unit selection: p0100	Func. diagram: -
Min	Max	Factory setting
- [Nm]	- [Nm]	- [Nm]
Description:	Displays the rated motor torque.	
Dependency:	IEC drives (p0100 = 0): unit Nm NEMA drives (p0100 = 1): unit lbf ft	
Note:	For induction motors, r0333 is calculated from p0307 and p0311. For synchronous motors, r0333 is calculated from p0305, p0316, p0327 and p0328.	

p0335[0...n]	Motor cooling type / Mot cool type	
Access level: 2	Calculated: -	Data type: Integer16
Can be changed: C(1, 3), T	Scaling: -	Dyn. index: MDS
Units group: -	Unit selection: -	Func. diagram: -
Min	Max	Factory setting
0	128	0
Description:	Sets the motor cooling system used.	
Value:	0: Non-ventilated 1: Forced cooling 2: Liquid cooling 128: No fan	
Dependency:	For 1LA7 motors (p0300), the parameter is pre-set as a function of p0307 and p0311.	
Notice:	When selecting a catalog motor (p0301), this parameter is automatically pre-assigned and is write protected. Information in p0300 should be carefully observed when removing write protection.	
Note:	The parameter influences the thermal 3-mass motor model. 1LA7 motors, frame size 56 are operated without fan.	

p0340[0...n]	Automatic calculation motor/control parameters / Calc auto par	
Access level: 2	Calculated: -	Data type: Integer16
Can be changed: C(3), T	Scaling: -	Dyn. index: DDS, p0180
Units group: -	Unit selection: -	Func. diagram: -
Min	Max	Factory setting
0	5	0
Description:	Setting to automatically calculate motor parameters and U/f open-loop and closed-loop control parameters from the rating plate data.	
Value:	0: No calculation 1: Complete calculation 2: Calculation of equivalent circuit diagram parameters 3: Calculation of closed-loop control parameters	

- 4: Calculation of controller parameters
 5: Calculation of technological limits and threshold values

Notice: After the value has been modified, no further parameter modifications can be made and the status is shown in r3996. Modifications can be made again when r3996 = 0.

The following parameters are influenced using p0340:

p0340 = 1:

--> All of the parameters influenced for p0340 = 2, 3, 4, 5

--> p0341, p0342, p0344, p0640, p1082, p1231, p1232, p1349, p1611, p1726, p1909, p1959, p2000, p2001, p2002, p2003, p3927, p3928

p0340 = 2:

--> p0350, p0354 ... p0360

--> p0625 (matching p0350)

p0340 = 3:

--> All of the parameters influenced for p0340 = 4, 5

--> p0346, p0347, p0622, p1320 ... p1327, p1582, p1755

p0340 = 4:

--> p1290, p1292, p1338, p1340, p1341, p1345, p1346, p1470, p1472, p1764, p1767

p0340 = 5:

--> p1037, p1038, p1520, p1521, p1530, p1531, p1802, p1803, p2390, p2392, p2393

Note: p0340 = 1 contains the calculations of p0340 = 2, 3, 4, 5.

p0340 = 2 calculates the motor parameters (p0350 ... p0360).

p0340 = 3 contains the calculations of p0340 = 4, 5.

p0340 = 4 only calculates the controller parameters.

p0340 = 5 only calculates the controller limits.

When quick commissioning is exited using p3900 > 0, p0340 is automatically set to 1.

At the end of the calculations, p0340 is automatically set to 0.

p0341[0...n]

Motor moment of inertia / Mot M_mom of inert

Access level: 3

Calculated: p0340 = 1

Data type: FloatingPoint32

Can be changed: C(3), U, T

Scaling: -

Dyn. index: MDS

Units group: 25_1

Unit selection: p0100

Func. diagram: 5042, 5210, 6020, 6030, 6031

Min

Max

Factory setting

0.000000 [kgm²]

100000.000000 [kgm²]

0.000000 [kgm²]

Description: Sets the motor moment of inertia (without load).

Dependency: IEC drives (p0100 = 0): unit kg m²

NEMA drives (p0100 = 1): unit lb ft²

The parameter value is included, together with p0342, in the rated starting time of the motor.

Refer to: p0342, r0345

Notice: When selecting a catalog motor (p0301), this parameter is automatically pre-assigned and is write protected. Information in p0300 should be carefully observed when removing write protection.

Note: The product of p0341 * p0342 is used when the speed controller (p0340 = 4) is calculated automatically.

p0342[0...n]

Ratio between the total and motor moment of inertia / Mot MomInert Ratio

Access level: 3

Calculated: p0340 = 1

Data type: FloatingPoint32

Can be changed: C(3), U, T

Scaling: -

Dyn. index: MDS

Units group: -

Unit selection: -

Func. diagram: 5042, 5210, 6020, 6030, 6031

Min

Max

Factory setting

1.000

10000.000

1.000

Description: Sets the ratio between the total moment of inertia/mass (load + motor) and the intrinsic motor moment of inertia/mass (no load).

Dependency: This means that together with p0341, the rated starting (accelerating time) of the motor is calculated for a vector drive.

Refer to: p0341, r0345, p1498


2 Parameters

2.2 List of parameters

Note: The product of p0341 * p0342 is used when the speed controller (p0340 = 4) is calculated automatically.

p0344[0...n]	Motor weight (for the thermal motor model) / Mot weight th mod		
Access level: 4	Calculated: p0340 = 1	Data type: FloatingPoint32	
Can be changed: C(3), T	Scaling: -	Dyn. index: MDS	
Units group: 27_1	Unit selection: p0100	Func. diagram: -	
Min	Max	Factory setting	
0.0 [kg]	50000.0 [kg]	0.0 [kg]	
Description:	Sets the motor weight.		
Dependency:	IEC drives (p0100 = 0): unit kg NEMA drives (p0100 = 1): unit lb		
Notice:	When selecting a catalog motor (p0301), this parameter is automatically pre-assigned and is write protected. Information in p0300 should be carefully observed when removing write protection.		
Note:	The parameter influences the thermal 3 mass model of the induction motor. The parameter is not used for synchronous motors (p0300 = 2xx).		


r0345[0...n]	Nominal motor starting time / Mot t_start_rated		
Access level: 3	Calculated: -	Data type: FloatingPoint32	
Can be changed: -	Scaling: -	Dyn. index: MDS	
Units group: -	Unit selection: -	Func. diagram: -	
Min	Max	Factory setting	
- [s]	- [s]	- [s]	
Description:	Displays the rated motor starting time. This time corresponds to the time from standstill up to reaching the motor rated speed and the acceleration with motor rated torque.		
Dependency:	Refer to: r0333, p0341, p0342		

p0346[0...n]	Motor excitation build-up time / Mot t_excitation		
Access level: 3	Calculated: p0340 = 1,3	Data type: FloatingPoint32	
Can be changed: C(3), U, T	Scaling: -	Dyn. index: MDS	
Units group: -	Unit selection: -	Func. diagram: -	
Min	Max	Factory setting	
0.000 [s]	20.000 [s]	0.000 [s]	
Description:	Sets the excitation build-up time of the motor. This involves the delay time between enabling the pulses and enabling the ramp-function generator. The induction motor is magnetized during this time.		
Caution:	If there is insufficient magnetization under load or if the acceleration rate is too high, then an induction motor can stall (refer to the note).		
			
Note:	The parameter is calculated using p0340 = 1, 3. For induction motors, the result depends on the rotor time constant (r0384). If this time is excessively reduced, this can result in an inadequate magnetizing of the induction motor. This is the case if the current limit is reached while building up magnetizing. For induction motors, the parameter cannot be set to 0 s (internal limit: 0.1 * r0384). For permanent-magnet synchronous motors and vector control, the value depends on the stator time constant (r0386). Here, it defines the time to establish the current for encoderless operation immediately after the pulses have been enabled.		

p0347[0...n]	Motor de-excitation time / Mot t_de-excitat		
Access level: 3	Calculated: p0340 = 1,3	Data type: FloatingPoint32	
Can be changed: C(3), U, T	Scaling: -	Dyn. index: MDS	
Units group: -	Unit selection: -	Func. diagram: -	
Min	Max	Factory setting	
0.000 [s]	20.000 [s]	0.000 [s]	
Description:	Sets the de-magnetizing time (for induction motors) after the inverter pulses have been canceled. The inverter pulses cannot be switched in (enabled) within this delay time.		

Note: The parameter is calculated using $p0340 = 1, 3$.
For induction motors, the result depends on the rotor time constant ($r0384$).
if this time is shortened too much, then this can result in an inadequate de-magnetizing of the induction motor and in an overcurrent condition when the pulses are subsequently enabled (only when the flying restart function is activated and the motor is rotating).

p0350[0...n]	Motor stator resistance cold / Mot R_stator cold		
Access level: 3	Calculated: $p0340 = 1,2$	Data type: FloatingPoint32	
Can be changed: C(3), U, T	Scaling: -	Dyn. index: MDS	
Units group: -	Unit selection: -	Func. diagram: -	
Min	Max	Factory setting	
0.00000 [ohm]	2000.00000 [ohm]	0.00000 [ohm]	
Description:	Sets the stator resistance of the motor at ambient temperature $p0625$ (phase value).		
Dependency:	Refer to: $p0625$		
Notice:	When selecting a catalog motor ($p0301$), this parameter is automatically pre-assigned and is write protected. Information in $p0300$ should be carefully observed when removing write protection.		
Note:	The motor identification routine determines the stator resistance from the total stator resistance minus the cable resistance ($p0352$).		

p0352[0...n]	Cable resistance / R_cable		
Access level: 3	Calculated: -	Data type: FloatingPoint32	
Can be changed: C(3), U, T	Scaling: -	Dyn. index: MDS	
Units group: -	Unit selection: -	Func. diagram: -	
Min	Max	Factory setting	
0.00000 [ohm]	120.00000 [ohm]	0.00000 [ohm]	
Description:	Resistance of the power cable between the power unit and motor.		
Caution:	The cable resistance should be entered prior to motor data identification. If it is used subsequently, the difference by which $p0352$ was changed must be subtracted from the stator resistance $p0350$ or motor data identification must be repeated.		
			
Note:	The parameter influences the temperature adaptation of the stator resistance. The motor identification sets the cable resistance to 20% of the measured total resistance if $p0352$ is zero at the time that the measurement is made. If $p0352$ is not zero, then the value is subtracted from the measured total stator resistance to calculate stator resistance $p0350$. In this case, $p0350$ is a minimum of 10% of the measured value. The cable resistance is reset when quick commissioning is exited with $p3900 > 0$.		

p0354[0...n]	Motor rotor resistance cold / Mot R_r cold		
Access level: 4	Calculated: $p0340 = 1,2$	Data type: FloatingPoint32	
Can be changed: C(3), U, T	Scaling: -	Dyn. index: MDS	
Units group: -	Unit selection: -	Func. diagram: 6727	
Min	Max	Factory setting	
0.00000 [ohm]	300.00000 [ohm]	0.00000 [ohm]	
Description:	Sets the rotor/secondary section resistance of the motor at the ambient temperature $p0625$. This parameter value is automatically calculated using the motor model ($p0340 = 1, 2$) or using the motor data identification routine ($p1910$).		
Dependency:	Refer to: $p0625$		
Notice:	When selecting a catalog motor ($p0301$), this parameter is automatically pre-assigned and is write protected. Information in $p0300$ should be carefully observed when removing write protection.		
Note:	The parameter is not used for synchronous motors ($p0300 = 2$).		

p0356[0...n]	Motor stator leakage inductance / Mot L_stator leak.		
	Access level: 4	Calculated: p0340 = 1,2	Data type: FloatingPoint32
	Can be changed: C(3), U, T	Scaling: -	Dyn. index: MDS
	Units group: -	Unit selection: -	Func. diagram: -
	Min	Max	Factory setting
	0.00000 [mH]	1000.00000 [mH]	0.00000 [mH]
Description:	Induction machine: sets the stator leakage inductance of the motor. Synchronous motor: Sets the stator quadrature axis inductance of the motor. This parameter value is automatically calculated using the motor model (p0340 = 1, 2) or using the motor identification routine (p1910).		
Notice:	When selecting a catalog motor (p0301), this parameter is automatically pre-assigned and is write protected. Information in p0300 should be carefully observed when removing write protection.		
Note:	If the stator leakage inductance (p0356) for induction motors is changed outside the commissioning phase (p0010 > 0), the magnetizing inductance (p0360) is automatically adapted to the new EMF. You are then advised to repeat the measurement for the saturation characteristic (p1960). For permanent-magnet synchronous motors (p0300 = 2), this is the non-saturated value and is, therefore, ideal for a low current.		
p0357[0...n]	Motor stator inductance d axis / Mot L_stator d		
	Access level: 4	Calculated: p0340 = 1,2	Data type: FloatingPoint32
	Can be changed: C(3), U, T	Scaling: -	Dyn. index: MDS
	Units group: -	Unit selection: -	Func. diagram: -
	Min	Max	Factory setting
	0.00000 [mH]	1000.00000 [mH]	0.00000 [mH]
Description:	Sets the stator direct-axis inductance of the synchronous motor. This parameter value is automatically calculated using the motor model (p0340 = 1, 2) or using the motor identification routine (p1910).		
Note:	For permanent-magnet synchronous motors (p0300 = 2), this is the non-saturated value and is ideal for a low current.		
p0358[0...n]	Motor rotor leakage inductance / Mot L_rot leak		
	Access level: 4	Calculated: p0340 = 1,2	Data type: FloatingPoint32
	Can be changed: C(3), U, T	Scaling: -	Dyn. index: MDS
	Units group: -	Unit selection: -	Func. diagram: 6727
	Min	Max	Factory setting
	0.00000 [mH]	1000.00000 [mH]	0.00000 [mH]
Description:	Sets the rotor/secondary section leakage inductance of the motor. The value is automatically calculated using the motor model (p0340 = 1, 2) or using the motor identification routine (p1910).		
Notice:	When selecting a catalog motor (p0301), this parameter is automatically pre-assigned and is write protected. Information in p0300 should be carefully observed when removing write protection.		
Note:	If the rotor leakage inductance (p0358) for induction motors is changed outside the commissioning phase (p0010 > 0), the magnetizing inductance (p0360) is automatically adapted to the new EMF. You are then advised to repeat the measurement for the saturation characteristic (p1960).		
p0360[0...n]	Motor magnetizing inductance / Mot Lh		
	Access level: 4	Calculated: p0340 = 1,2	Data type: FloatingPoint32
	Can be changed: C(3), U, T	Scaling: -	Dyn. index: MDS
	Units group: -	Unit selection: -	Func. diagram: 6727
	Min	Max	Factory setting
	0.00000 [mH]	10000.00000 [mH]	0.00000 [mH]
Description:	Sets the magnetizing inductance of the motor. This parameter value is automatically calculated using the motor model (p0340 = 1, 2) or using the motor identification routine (p1910).		

Notice: When selecting a catalog motor (p0301), this parameter is automatically pre-assigned and is write protected. Information in p0300 should be carefully observed when removing write protection.

Note: The parameter is not used for synchronous motors (p0300 = 2).

p0362[0...n]	Motor saturation characteristic flux 1 / Mot saturat.flux 1		
	Access level: 4	Calculated: -	Data type: FloatingPoint32
	Can be changed: C(3), U, T	Scaling: -	Dyn. index: MDS
	Units group: -	Unit selection: -	Func. diagram: 6723, 6726
	Min	Max	Factory setting
	10.0 [%]	800.0 [%]	60.0 [%]
Description:	The saturation characteristics (flux as a function of the magnetizing current) is defined using 4 points. This parameter specifies the y coordinate (flux) for the 1st value pair of the characteristic. Sets the first flux value of the saturation characteristic as a [%] referred to the rated motor flux (100 %).		
Dependency:	The following applies for the flux values: p0362 < p0363 < p0364 < p0365 Refer to: p0366		
Note:	For induction motors, p0362 = 100 % corresponds to the rated motor flux. When quick commissioning is exited with p3900 > 0, then the parameter is reset if a catalog motor has not been selected (p0300).		


p0363[0...n]	Motor saturation characteristic flux 2 / Mot saturat.flux 2		
	Access level: 4	Calculated: -	Data type: FloatingPoint32
	Can be changed: C(3), U, T	Scaling: -	Dyn. index: MDS
	Units group: -	Unit selection: -	Func. diagram: 6723, 6726
	Min	Max	Factory setting
	10.0 [%]	800.0 [%]	85.0 [%]
Description:	The saturation characteristics (flux as a function of the magnetizing current) is defined using 4 points. This parameter specifies the y coordinate (flux) for the 2nd value pair of the characteristic. Sets the second flux value of the saturation characteristic as a [%] referred to the rated motor flux (100 %).		
Dependency:	The following applies for the flux values: p0362 < p0363 < p0364 < p0365 Refer to: p0367		
Note:	For induction motors, p0363 = 100 % corresponds to the rated motor flux. When quick commissioning is exited with p3900 > 0, then the parameter is reset if a catalog motor has not been selected (p0300).		

p0364[0...n]	Motor saturation characteristic flux 3 / Mot saturat.flux 3		
	Access level: 4	Calculated: -	Data type: FloatingPoint32
	Can be changed: C(3), U, T	Scaling: -	Dyn. index: MDS
	Units group: -	Unit selection: -	Func. diagram: 6723, 6726
	Min	Max	Factory setting
	10.0 [%]	800.0 [%]	115.0 [%]
Description:	The saturation characteristics (flux as a function of the magnetizing current) is defined using 4 points. This parameter specifies the y coordinate (flux) for the 3rd value pair of the characteristic. Sets the third flux value of the saturation characteristic as a [%] referred to the rated motor flux (100 %).		
Dependency:	The following applies for the flux values: p0362 < p0363 < p0364 < p0365 Refer to: p0368		
Note:	For induction motors, p0364 = 100 % corresponds to the rated motor flux. When quick commissioning is exited with p3900 > 0, then the parameter is reset if a catalog motor has not been selected (p0300).		

p0365[0...n]	Motor saturation characteristic flux 4 / Mot saturat.flux 4		
	Access level: 4	Calculated: -	Data type: FloatingPoint32
	Can be changed: C(3), U, T	Scaling: -	Dyn. index: MDS
	Units group: -	Unit selection: -	Func. diagram: 6723, 6726
	Min	Max	Factory setting
	10.0 [%]	800.0 [%]	125.0 [%]
Description:	The saturation characteristics (flux as a function of the magnetizing current) is defined using 4 points. This parameter specifies the y coordinate (flux) for the 4th value pair of the characteristic. Sets the fourth flux value of the saturation characteristic as a [%] referred to the rated motor flux (100 %).		
Dependency:	The following applies for the flux values: p0362 < p0363 < p0364 < p0365 Refer to: p0369		
Note:	For induction motors, p0365 = 100 % corresponds to the rated motor flux. When quick commissioning is exited with p3900 > 0, then the parameter is reset if a catalog motor has not been selected (p0300).		
p0366[0...n]	Motor saturation characteristic I_mag 1 / Mot sat. I_mag 1		
	Access level: 4	Calculated: -	Data type: FloatingPoint32
	Can be changed: C(3), U, T	Scaling: -	Dyn. index: MDS
	Units group: -	Unit selection: -	Func. diagram: 6723, 6726
	Min	Max	Factory setting
	5.0 [%]	800.0 [%]	50.0 [%]
Description:	The saturation characteristics (flux as a function of the magnetizing current) is defined using 4 points. This parameter specifies the x coordinate (magnetizing current) for the 1st value pair of the characteristic. Sets the first magnetization current of the saturation characteristic in [%] with reference to the rated magnetization current (r0331).		
Dependency:	The following applies for the magnetizing currents: p0366 < p0367 < p0368 < p0369 Refer to: p0362		
Note:	When quick commissioning is exited with p3900 > 0, then the parameter is reset if a catalog motor has not been selected (p0300).		
p0367[0...n]	Motor saturation characteristic I_mag 2 / Mot sat. I_mag 2		
	Access level: 4	Calculated: -	Data type: FloatingPoint32
	Can be changed: C(3), U, T	Scaling: -	Dyn. index: MDS
	Units group: -	Unit selection: -	Func. diagram: 6723, 6726
	Min	Max	Factory setting
	5.0 [%]	800.0 [%]	75.0 [%]
Description:	The saturation characteristics (flux as a function of the magnetizing current) is defined using 4 points. This parameter specifies the x coordinate (magnetizing current) for the 2nd value pair of the characteristic. Sets the second magnetization current of the saturation characteristic in [%] with reference to the rated magnetization current (r0331).		
Dependency:	The following applies for the magnetizing currents: p0366 < p0367 < p0368 < p0369 Refer to: p0363		
Note:	When quick commissioning is exited with p3900 > 0, then the parameter is reset if a catalog motor has not been selected (p0300).		

p0368[0...n]	Motor saturation characteristic I_mag 3 / Mot sat. I_mag 3		
	Access level: 4	Calculated: -	Data type: FloatingPoint32
	Can be changed: C(3), U, T	Scaling: -	Dyn. index: MDS
	Units group: -	Unit selection: -	Func. diagram: 6723, 6726
	Min	Max	Factory setting
	5.0 [%]	800.0 [%]	150.0 [%]
Description:	The saturation characteristics (flux as a function of the magnetizing current) is defined using 4 points. This parameter specifies the x coordinate (magnetizing current) for the 3rd value pair of the characteristic. Sets the third magnetization current of the saturation characteristic in [%] with reference to the rated magnetization current (r0331).		
Dependency:	The following applies for the magnetizing currents: p0366 < p0367 < p0368 < p0369 Refer to: p0364		
Note:	When quick commissioning is exited with p3900 > 0, then the parameter is reset if a catalog motor has not been selected (p0300).		
p0369[0...n]	Motor saturation characteristic I_mag 4 / Mot sat. I_mag 4		
	Access level: 4	Calculated: -	Data type: FloatingPoint32
	Can be changed: C(3), U, T	Scaling: -	Dyn. index: MDS
	Units group: -	Unit selection: -	Func. diagram: 6723, 6726
	Min	Max	Factory setting
	5.0 [%]	800.0 [%]	210.0 [%]
Description:	The saturation characteristics (flux as a function of the magnetizing current) is defined using 4 points. This parameter specifies the x coordinate (magnetizing current) for the 4th value pair of the characteristic. Sets the fourth magnetization current of the saturation characteristic in [%] with reference to the rated magnetization current (r0331).		
Dependency:	The following applies for the magnetizing currents: p0366 < p0367 < p0368 < p0369 Refer to: p0365		
Note:	When quick commissioning is exited with p3900 > 0, then the parameter is reset if a catalog motor has not been selected (p0300).		
r0382[0...n]	Motor magnetizing inductance transformed / Mot L_magn transf		
	Access level: 4	Calculated: -	Data type: FloatingPoint32
	Can be changed: -	Scaling: -	Dyn. index: MDS
	Units group: -	Unit selection: -	Func. diagram: -
	Min	Max	Factory setting
	- [mH]	- [mH]	- [mH]
Description:	Displays the magnetizing inductance of the motor.		
Note:	The parameter is not used for synchronous motors (p0300 = 2xx).		
r0384[0...n]	Motor rotor time constant / damping time constant d axis / Mot T_rotor/T_Dd		
	Access level: 4	Calculated: -	Data type: FloatingPoint32
	Can be changed: -	Scaling: -	Dyn. index: MDS
	Units group: -	Unit selection: -	Func. diagram: 6722
	Min	Max	Factory setting
	- [ms]	- [ms]	- [ms]
Description:	Displays the rotor time constant.		
Note:	The parameter is not used for synchronous motors. The value is calculated from the total of the inductances on the rotor side (p0358, p0360) divided by the rotor resistance (p0354). The temperature adaptation of the rotor resistance for induction motors is not taken into account.		

r0386[0...n]	Motor stator leakage time constant / Mot T_stator leak		
	Access level: 4	Calculated: -	Data type: FloatingPoint32
	Can be changed: -	Scaling: -	Dyn. index: MDS
	Units group: -	Unit selection: -	Func. diagram: -
	Min	Max	Factory setting
	- [ms]	- [ms]	- [ms]
Description:	Displays the stator leakage time constant.		
Note:	The value is calculated from the total of all leakage inductances (p0233, p0356, p0358) divided by the total of all motor resistances (p0350, p0352, p0354). The temperature adaptation of the resistances is not taken into account.		
r0395[0...n]	Actual stator resistance / R_stator act		
	Access level: 3	Calculated: -	Data type: FloatingPoint32
	Can be changed: -	Scaling: -	Dyn. index: MDS
	Units group: -	Unit selection: -	Func. diagram: -
	Min	Max	Factory setting
	- [ohm]	- [ohm]	- [ohm]
Description:	Displays the actual stator resistance (phase value). The parameter value also contains the temperature-independent cable resistance.		
Dependency:	In the case of induction motors the parameter is also affected by the motor temperature model. Refer to: p0350, p0352, p0620		
Note:	In each case, only the stator resistance of the active Motor Data Set is included with the stator temperature of the thermal motor model.		
r0396[0...n]	Actual rotor resistance / R_rotor act		
	Access level: 3	Calculated: -	Data type: FloatingPoint32
	Can be changed: -	Scaling: -	Dyn. index: MDS
	Units group: -	Unit selection: -	Func. diagram: 6730
	Min	Max	Factory setting
	- [ohm]	- [ohm]	- [ohm]
Description:	Displays the actual rotor resistance (phase value). The parameter is affected by the motor temperature model.		
Dependency:	Refer to: p0354, p0620		
Note:	In each case, only the rotor resistance of the active Motor Data Set is included with the rotor temperature of the thermal motor model. This parameter is not used for synchronous motors (p0300 = 2xx).		
p0422[0...n]	Absolute encoder linear measuring step resolution / Enc abs meas step		
	Access level: 3	Calculated: -	Data type: Unsigned32
	Can be changed: C(4)	Scaling: -	Dyn. index: EDS
	Units group: -	Unit selection: -	Func. diagram: 4704
	Min	Max	Factory setting
	0 [nm]	4294967295 [nm]	100 [nm]
Description:	Sets the resolution of the absolute position for a linear absolute encoder.		
Notice:	This parameter is automatically pre-set for encoders from the encoder list (p0400). When selecting a catalog encoder, this parameter cannot be changed (write protection). Information in p0400 should be carefully observed when removing write protection.		
Note:	The serial protocol of an absolute encoder provides the position with a certain resolution , e.g. 100 nm. This value must be entered here.		

p0500	Technology application / Tec application		
	Access level: 2	Calculated: -	Data type: Integer16
	Can be changed: C(1, 5), T	Scaling: -	Dyn. index: -
	Units group: -	Unit selection: -	Func. diagram: -
	Min	Max	Factory setting
	0	3	0
Description:	Sets the technology application. The parameter influences the calculation of open-loop and closed-loop control parameters that is e.g. initiated using p0340 = 5.		
Value:	0: Standard drive 1: Pumps and fans 2: Sensorless closed-loop control down to f = 0 (passive loads) 3: Pumps and fans, efficiency optimization		
Notice:	If the technological application is set to p0500 = 0 ... 3 during commissioning (p0010 = 1, 5, 30), the operating mode (p1300) is pre-set accordingly.		
Note:	The calculation of parameters dependent on the technology application can be called up as follows: - when exiting quick commissioning using p3900 > 0 - when writing p0340 = 1, 3, 5 For p0500 = 0 and when the calculation is initiated, the following parameters are set: - p1802 = 0 (automatic changeover SVM/FLB) - p1803 = 106 % For p0500 = 1 and when the calculation is initiated, the following parameters are set: - p1802 = 0 (automatic changeover SVM/FLB) - p1803 = 106 % For p0500 = 2 and when the calculation is initiated, the following parameters are set: - p1802 = 0 (automatic changeover SVM/FLB) - p1803 = 106 % For p0500 = 3 and when the calculation is initiated, the following parameters are set: - p1802 = 0 (automatic changeover SVM/FLB) - p1803 = 106 % Re p1802 / p1803: p1802 and p1803 are only changed, in all cases, if a sine-wave output filter (p0230 = 3, 4) has not been selected.		
p0505	Selecting the system of units / Unit sys select		
	Access level: 1	Calculated: -	Data type: Integer16
	Can be changed: C(5)	Scaling: -	Dyn. index: -
	Units group: -	Unit selection: -	Func. diagram: -
	Min	Max	Factory setting
	1	4	1
Description:	Sets the actual system of units.		
Value:	1: SI system of units 2: System of units referred/SI 3: US system of units 4: System of units referred/US		
Dependency:	The parameter can only be changed in an offline project using the commissioning software.		
Caution:	If a per unit representation is selected and if the reference parameters (e.g. p2000) are subsequently changed, then the physical significance of several control parameters is also adapted at the same time. The control behavior can change as a consequence.		
			
Note:	Reference parameter for the unit system % are, for example, p2000 ... p2004. Depending on what has been selected, these are displayed using either SI or US units.		

p0573	Inhibit automatic reference value calculation / Inhibit calc		
	Access level: 3	Calculated: -	Data type: Integer16
	Can be changed: U, T	Scaling: -	Dyn. index: -
	Units group: -	Unit selection: -	Func. diagram: -
	Min	Max	Factory setting
	0	1	0
Description:	Setting to inhibit the calculation of reference parameters (e.g. p2000) when automatically calculating the motor and closed-loop control parameters (p0340, p3900).		
Value:	0: No 1: Yes		
Notice:	The inhibit for the reference value calculation is canceled when new motor parameters (e.g. p0305) are entered and only one drive data set exists (p0180 = 1). This is the case during initial commissioning. Once the motor and control parameters have been calculated (p0340, p3900), the inhibit for the reference value calculation is automatically re-activated.		
Note:	If value = 0: The automatic calculation (p0340, p3900) overwrites the reference parameters. If value = 1: The automatic calculation (p0340, p3900) does not overwrite the reference parameters.		

p0595	Technological unit selection / Tech unit select		
	Access level: 1	Calculated: -	Data type: Integer16
	Can be changed: C(5)	Scaling: -	Dyn. index: -
	Units group: -	Unit selection: -	Func. diagram: -
	Min	Max	Factory setting
	1	46	1
Description:	Selects the units for the parameters of the technology controller. For p0595 = 1, 2, the reference quantity set in p0596 is not active.		
Value:	1: % 2: 1 referred no dimensions 3: bar 4: °C 5: Pa 6: ltr/s 7: m³/s 8: ltr/min 9: m³/min 10: ltr/h 11: m³/h 12: kg/s 13: kg/min 14: kg/h 15: t/min 16: t/h 17: N 18: kN 19: Nm 20: psi 21: °F 22: gallon/s 23: inch³/s 24: gallon/min 25: inch³/min 26: gallon/h 27: inch³/h 28: lb/s 29: lb/min 30: lb/h 31: lbf 32: lbf ft		

33: K
 34: rpm
 35: parts/min
 36: m/s
 37: ft³/s
 38: ft³/min
 39: BTU/min
 40: BTU/h
 41: mbar
 42: inch wg
 43: ft wg
 44: m wg
 45: % r.h.
 46: g/kg

Dependency: Only the unit of the technology controller parameters are switched over (unit group 9_1).

Refer to: p0596

Note: When switching over from % into another unit, the following sequence applies:

- set p0596
- set p0595 to the required unit

p0596

Technological unit reference quantity / Tech unit ref qty

Access level: 1	Calculated: -	Data type: FloatingPoint32
Can be changed: T	Scaling: -	Dyn. index: -
Units group: -	Unit selection: -	Func. diagram: -
Min	Max	Factory setting
0.01	340.28235E36	1.00

Description: Sets the reference quantity for the technological units.

When changing over using changeover parameter p0595 to absolute units, all of the parameters involved refer to the reference quantity.

Dependency: Refer to: p0595

Notice: When changing over from one technological unit into another, or when changing the reference parameter, a changeover is not made.

p0601[0...n]

Motor temperature sensor type / Mot_temp_sens type

Access level: 2	Calculated: -	Data type: Integer16
Can be changed: C(3), U, T	Scaling: -	Dyn. index: MDS
Units group: -	Unit selection: -	Func. diagram: 8016
Min	Max	Factory setting
0	4	0

Description: Sets the sensor type for the motor temperature monitoring.

Value:

- 0: No sensor
- 1: PTC alarm
- 2: KTY84
- 4: Bimetallic NC contact alarm

Caution: Re p0601 = 2:



If the motor temperature sensor is not connected but another encoder, then the temperature adaptation of the motor resistances must be switched out (p0620 = 0). Otherwise, in controlled-loop operation, torque errors will occur that will mean that the motor will not be able to be stopped.

Note: Re p0601 = 1:

Tripping resistance = 1650 Ohm. Wire breakage and short-circuit monitoring.

p0604[0...n]	Mot_temp_mod 2/KTY alarm threshold / Mod 2/KTY A thresh		
	Access level: 2	Calculated: -	Data type: FloatingPoint32
	Can be changed: C(3), U, T	Scaling: -	Dyn. index: MDS
	Units group: 21_1	Unit selection: p0505	Func. diagram: 8016
	Min 0.0 [°C]	Max 240.0 [°C]	Factory setting 130.0 [°C]
Description:	Sets the alarm threshold for monitoring the motor temperature for motor temperature model 2 or KTY. After the alarm threshold is exceeded, alarm A07910 is output and timer (p0606) is started. If the delay time has expired and the alarm threshold has, in the meantime, not been fallen below, then fault F07011 is output.		
Dependency:	Refer to: p0612		
Notice:	When selecting a catalog motor (p0301), this parameter is automatically pre-assigned and is write protected. Information in p0300 should be carefully observed when removing write protection.		
Note:	The hysteresis is 2 K. When quick commissioning is exited with p3900 > 0, then the parameter is reset if a catalog motor has not been selected (p0300).		
p0605[0...n]	Mot_temp_mod 1/2 threshold / Mod 1/2 threshold		
	Access level: 3	Calculated: -	Data type: FloatingPoint32
	Can be changed: C(3), U, T	Scaling: -	Dyn. index: MDS
	Units group: 21_1	Unit selection: p0505	Func. diagram: 8016, 8017
	Min 0.0 [°C]	Max 240.0 [°C]	Factory setting 145.0 [°C]
Description:	Sets the threshold for monitoring the motor temperature for motor temperature model 1/2 or KTY. Motor temperature model 1 (p0612.0 = 1): alarm threshold - Alarm A07012 is output after the alarm threshold is exceeded. Motor temperature model 2 (p0612.1 = 1) or KTY: fault threshold - Fault F07011 is output after the fault threshold is exceeded.		
Dependency:	Refer to: p0611, p0612		
Notice:	When selecting a catalog motor (p0301), this parameter is automatically pre-assigned and is write protected. Information in p0300 should be carefully observed when removing write protection. Motor temperature model 1: p0605 also defines the target temperature of the model for r0034 = 100 %. Therefore, p0605 has no influence on the time up to alarm A07012 being issued. The time is only determined by time constant p0611, the actual current and the reference value p0305.		
Note:	The hysteresis is 2 K. When quick commissioning is exited with p3900 > 0, then the parameter is reset if a catalog motor has not been selected (p0300).		
p0610[0...n]	Motor overtemperature response / Mot temp response		
	Access level: 2	Calculated: -	Data type: Integer16
	Can be changed: C(3), T	Scaling: -	Dyn. index: MDS
	Units group: -	Unit selection: -	Func. diagram: 8016, 8017
	Min 0	Max 12	Factory setting 12
Description:	Sets the system response when the motor temperature reaches the alarm threshold.		
Value:	0: No response only alarm no reduction of I_max 1: Messages, reduction of I_max 2: Messages, no reduction of I_max 12: Messages, no reduction of I_max, temperature storage		
Dependency:	Refer to: p0601, p0604, p0605, p0614, p0615		
Note:	The I_max reduction is not executed for PTC (p0601 = 1) or bimetallic NC contact (p0601 = 4). The I_max reduction results in a lower output frequency.		

If value = 0:

An alarm is output and I_{max} is not reduced.

If value = 1:

An alarm is output and a timer is started. A fault is output if the alarm is still active after this timer has expired.

- for KTY84, the following applies: I_{max} is reduced

- for PTC, the following is valid: I_{max} is not reduced

If value = 2:

An alarm is output and a timer is started. A fault is output if the alarm is still active after this timer has expired.

If value = 12:

Behavior is always the same as for value 2.

For motor temperature monitoring without temperature sensor, when switching off, the model temperature is saved in a non-volatile fashion. When switching on, the same value (reduced by p0614) is taken into account in the model calculation. As a consequence, the UL508C specification is fulfilled.

p0611[0...n]	I2t motor model thermal time constant / I2t mot_mod T		
Access level: 3	Calculated: -	Data type: FloatingPoint32	
Can be changed: C(1, 3), U, T	Scaling: -	Dyn. index: MDS	
Units group: -	Unit selection: -	Func. diagram: 8017	
Min	Max	Factory setting	
0 [s]	20000 [s]	0 [s]	
Description:	Sets the winding time constant. The time constant specifies the warm-up time of the cold stator winding when loaded with the motor standstill current (rated motor current, if the motor standstill current is not parameterized) up until a temperature rise of 63 % of the continuously permissible winding temperature has been reached.		
Dependency:	This parameter is only used for synchronous motors (p0300 = 2xx, 4). Refer to: r0034, p0612, p0615		
Notice:	This parameter is automatically pre-set from the motor database for motors from the motor list (p0301). When selecting a catalog motor, this parameter cannot be changed (write protection). Information in p0300 should be carefully observed when removing write protection. When exiting commissioning, p0612 is checked, and where relevant, is preassigned to a value that matches the motor power, if a temperature sensor was not parameterized (see p0601).		
Note:	When parameter p0611 is reset to 0, then this switches out the thermal I2t motor model. If no temperature sensor is parameterized, then the ambient temperature for the thermal motor model is referred to p0625.		

p0612[0...n]	Mot_temp_mod activation / Mot_temp_mod act				
Access level: 3	Calculated: p0340 = 1		Data type: Unsigned16		
Can be changed: U, T	Scaling: -		Dyn. index: MDS		
Units group: -	Unit selection: -		Func. diagram: 8017		
Min	Max		Factory setting		
-	-		0000 0010 0000 0010 bin		
Description:	Setting to activate the motor temperature model.				
Bit field:	Bit	Signal name	1 signal	0 signal	FP
	00	Activating motor temperature model 1 (I2t)	Yes	No	-
	01	Activate motor temperature model 2	Yes	No	-
	09	Activate motor temperature model 2 expansions	Yes	No	-
Dependency:	For synchronous motors, when exiting commissioning, temperature model 1 is automatically activated if a time constant has been entered in p0611. Refer to: r0034, p0604, p0605, p0611, p0615, p0625				
Note:	Mot_temp_mod: motor temperature model Re bit 00: This bit is used to activate/deactivate the motor temperature model for permanent-magnet synchronous motors. Re bit 01: This bit is used to activate/deactivate the motor temperature model for induction motors.				

2 Parameters

2.2 List of parameters

Re bit 02:

This bit is used to activate/deactivate the motor temperature model for 1FK7 motors without encoder.

Motor temperature model 3 cannot be simultaneously activated with another motor temperature model.

p0614[0...n]	Thermal resistance adaptation reduction factor / Therm R_adapt red		
Access level: 3	Calculated: -	Data type: FloatingPoint32	
Can be changed: U, T	Scaling: -	Dyn. index: MDS	
Units group: -	Unit selection: -	Func. diagram: -	
Min	Max	Factory setting	
0 [%]	100 [%]	30 [%]	
Description:	Sets the reduction factor for the overtemperature of the thermal adaptation of the stator/rotor resistance. The value is a starting value when switching on. Internally, after switch-on, the reduction factor has no effect corresponding to the thermal time constant.		
Dependency:	Refer to: p0610		
Note:	The reduction factor is only effective for p0610 = 12, and refers to the overtemperature.		

p0615[0...n]	Mot_temp_mod 1 (I2t) fault threshold / I2t F thresh		
Access level: 3	Calculated: -	Data type: FloatingPoint32	
Can be changed: C(3), U, T	Scaling: -	Dyn. index: MDS	
Units group: 21_1	Unit selection: p0505	Func. diagram: 8017	
Min	Max	Factory setting	
0.0 [°C]	220.0 [°C]	180.0 [°C]	
Description:	Sets the fault threshold for monitoring the motor temperature for motor temperature model 1 (I2t). - Fault F07011 is output after the fault threshold is exceeded. - fault threshold for r0034 = $100 \% * (p0615 - 40) / (p0605 - 40)$.		
Dependency:	The parameter is only used for permanent-magnet synchronous motors (p0300 = 2xx). Refer to: r0034, p0611, p0612		
Notice:	When selecting a catalog motor (p0301), this parameter is automatically pre-assigned and is write protected. Information in p0300 should be carefully observed when removing write protection.		
Note:	The hysteresis is 2 K.		

p0620[0...n]	Thermal adaptation, stator and rotor resistance / Mot therm_adapt R		
Access level: 4	Calculated: p0340 = 1	Data type: Integer16	
Can be changed: C(3), U, T	Scaling: -	Dyn. index: MDS	
Units group: -	Unit selection: -	Func. diagram: -	
Min	Max	Factory setting	
0	2	1	
Description:	Sets the thermal adaptation of the stator/primary section resistance and rotor/secondary section resistance according to r0395 and r0396.		
Value:	0: No thermal adaptation of stator and rotor resistances 1: Resistances adapted to the temperatures of the thermal model 2: Resistances adapted to the measured stator winding temperature		
Note:	For p0620 = 1, the following applies: The stator resistance is adapted using the temperature in r0035 and the rotor resistance together with the model temperature. For p0620 = 2, the following applies: The stator resistance is adapted using the temperature in r0035.		

p0621[0...n]	Identification stator resistance after restart / Rst_ident Restart		
	Access level: 4 Can be changed: C(3), T Units group: - Min 0	Calculated: - Scaling: - Unit selection: - Max 2	Data type: Integer16 Dyn. index: MDS, p0130 Func. diagram: - Factory setting 0
Description:	<p>Selects the identification of the stator resistance after booting the Control Unit (only for vector control). The identification is used to measure the actual stator resistance and from the ratio of the result of motor data identification (p0350) to the matching ambient temperature (p0625) the actual mean temperature of the stator winding is calculated. The result is used to initialize the thermal motor model.</p> <p>p0621 = 1: Identification of the stator resistance only when the drive is powered up for the first time (pulse enable) after booting the Control Unit.</p> <p>p0621 = 2: Identification of the stator resistance every time the drive is powered up (pulse enable).</p>		
Value:	0: No Rs identification 1: Rs identification after switching-on again 2: Rs identification after switching-on each time		
Dependency:	<ul style="list-style-type: none"> - perform motor data identification (see p1910) with cold motor. - enter ambient temperature at time of motor data identification in p0625. Refer to: p0622, r0623		
Notice:	<p>The calculated stator temperature can only be compared with the measured value of a temperature sensor (KTY) to a certain extent, as the sensor is usually the warmest point of the stator winding, whereas the measured value of identification reflects the mean value of the stator winding.</p> <p>Furthermore this is a short-time measurement with limited accuracy that is performed during the magnetizing phase of the induction motor.</p>		
Note:	<p>The measurement is carried out:</p> <ul style="list-style-type: none"> - For induction motors - When vector control is active (see p1300) - If a temperature sensor (KTY) has not been connected - When the motor is at a standstill when switched on <p>When a flying restart is performed on a rotating motor, the temperatures of the thermal motor model are set to a third of the overtemperatures. This occurs only once, however, when the CU is booted (e.g. after a power failure). If identification is activated, the magnetizing time is determined via p0622 and not via p0346. The speed is enabled after completion of the measurement.</p>		
p0622[0...n]	Motor excitation time for Rs_ident after powering up again / t_excit Rs_id		
	Access level: 4 Can be changed: C(3), U, T Units group: - Min 0.000 [s]	Calculated: p0340 = 1,3 Scaling: - Unit selection: - Max 20.000 [s]	Data type: FloatingPoint32 Dyn. index: MDS, p0130 Func. diagram: - Factory setting 0.000 [s]
Description:	Sets the excitation time of the motor for the stator resistance identification after powering up again (restart).		
Dependency:	Refer to: p0621, r0623		
Note:	<p>For p0622 < p0346 the following applies:</p> <p>If identification is activated, the magnetizing time is influenced by p0622. The speed is enabled after measurement is complete, but not before the time in p0346 has elapsed (see r0056 bit 4). The time taken for measurement also depends on the settling time of the measured current.</p> <p>For p0622 >= p0346 the following applies:</p> <p>Parameter p0622 is internally limited to the magnetizing time p0346, so that p0346 represents the maximum possible magnetizing time during identification. The entire measurement period (magnetizing plus measurement settling time plus measuring time) will always be greater than p0346.</p>		

r0623	Rs identification stator resistance after switch on again / Rs-id Rs aft sw-on		
	Access level: 4	Calculated: -	Data type: FloatingPoint32
	Can be changed: -	Scaling: -	Dyn. index: -
	Units group: -	Unit selection: -	Func. diagram: -
	Min	Max	Factory setting
	- [ohm]	- [ohm]	- [ohm]
Description:	Displays the stator resistance determined using the Rs identification after switching on again.		
Dependency:	Refer to: p0621, p0622		
p0625[0...n]	Motor ambient temperature during commissioning / Mot T_ambient		
	Access level: 3	Calculated: p0340 = 1,2	Data type: FloatingPoint32
	Can be changed: C(3), U, T	Scaling: -	Dyn. index: MDS
	Units group: 21_1	Unit selection: p0505	Func. diagram: 8017
	Min	Max	Factory setting
	-40 [°C]	80 [°C]	20 [°C]
Description:	Defines the ambient temperature of the motor for calculating the motor temperature model.		
Dependency:	Refer to: p0350, p0354		
Note:	The parameters for stator and rotor resistance (p0350, p0354) refer to this temperature. If the thermal I2t motor model is activated for permanent-magnet synchronous motors (refer to p0611), p0625 is included in the model calculation if a temperature sensor is not being used (see p0601).		
r0632[0...n]	Mot_temp_mod stator winding temperature / Mod T_winding		
	Access level: 4	Calculated: -	Data type: FloatingPoint32
	Can be changed: -	Scaling: p2006	Dyn. index: MDS
	Units group: 21_1	Unit selection: p0505	Func. diagram: 8017
	Min	Max	Factory setting
	- [°C]	- [°C]	- [°C]
Description:	Displays the stator winding temperature of the motor temperature model (models 2 and 3).		
p0637[0...n]	Q flux flux gradient saturated / PSIQ Grad SAT		
	Access level: 3	Calculated: -	Data type: FloatingPoint32
	Can be changed: C(3), U, T	Scaling: -	Dyn. index: MDS
	Units group: -	Unit selection: -	Func. diagram: -
	Min	Max	Factory setting
	0.00 [mH]	10000.00 [mH]	0.00 [mH]
Description:	The non-linear and cross-coupled quadrature axis flux functions are defined using 4 coefficients. This parameter describes the gradients of the saturated component over the quadrature axis current.		
p0640[0...n]	Current limit / Current limit		
	Access level: 2	Calculated: p0340 = 1	Data type: FloatingPoint32
	Can be changed: C(1, 3), U, T	Scaling: -	Dyn. index: DDS, p0180
	Units group: -	Unit selection: -	Func. diagram: 5722, 6640
	Min	Max	Factory setting
	0.00 [Arms]	10000.00 [Arms]	0.00 [Arms]
Description:	Sets the current limit.		
Dependency:	Refer to: r0209, p0323		
Note:	The parameter is part of the quick commissioning (p0010 = 1); this means that it is appropriately pre-assigned when changing p0305. The current limit p0640 is limited to r0209. The resulting current limit is displayed in r0067 and if required, r0067 is reduced by the thermal model of the power unit. The torque and power limits (p1520, p1521, p1530, p1531) matching the current limit are automatically calculated when exiting the quick commissioning using p3900 > 0 or using the automatic parameterization with p0340 = 3, 5. p0640 is limited to 4.0 x p0305.		

p0640 is pre-assigned for the automatic self commissioning routine (e.g. to 1.5 x p0305, with p0305 = r0207[1]).
p0640 must be entered when commissioning the system. This is the reason that p0640 is not calculated by the automatic parameterization when exiting the quick commissioning (p3900 > 0).

r0720[0...4]	CU number of inputs and outputs / CU I/O count		
	Access level: 3	Calculated: -	Data type: Unsigned16
	Can be changed: -	Scaling: -	Dyn. index: -
	Units group: -	Unit selection: -	Func. diagram: 2119
	Min	Max	Factory setting
	-	-	-
Description:	Displays the number of inputs and outputs		
Index:	[0] = Number of digital inputs [1] = Number of digital outputs [2] = Number of digital input/outputs bidirectional [3] = Number of analog inputs [4] = Number of analog outputs		

r0722.0...11	CO/BO: CU digital inputs status / CU DI status				
	Access level: 2	Calculated: -	Data type: Unsigned32		
	Can be changed: -	Scaling: -	Dyn. index: -		
	Units group: -	Unit selection: -	Func. diagram: 2020, 2030, 2031, 2100, 2119, 2120, 2130, 2131, 2132, 2133		
	Min	Max	Factory setting		
	-	-	-		
Description:	Displays the status of the digital inputs.				
Bit field:	Bit	Signal name	1 signal	0 signal	FP
	00	DI 0 (T. 5)	High	Low	-
	01	DI 1 (T. 6)	High	Low	-
	02	DI 2 (T. 7)	High	Low	-
	03	DI 3 (T. 8)	High	Low	-
	04	DI 4 (T. 16)	High	Low	-
	05	DI 5 (T. 17)	High	Low	-
	11	DI 11 (T. 3, 4) AI 0	High	Low	-
Dependency:	Refer to: r0723				
Note:	AI: Analog Input DI: Digital Input T: Terminal				

r0723.0...11	CO/BO: CU digital inputs status inverted / CU DI status inv				
	Access level: 3	Calculated: -	Data type: Unsigned32		
	Can be changed: -	Scaling: -	Dyn. index: -		
	Units group: -	Unit selection: -	Func. diagram: 2020, 2030, 2031, 2100, 2119, 2120, 2130, 2131, 2132, 2133		
	Min	Max	Factory setting		
	-	-	-		
Description:	Displays the inverted status of the digital inputs.				
Bit field:	Bit	Signal name	1 signal	0 signal	FP
	00	DI 0 (T. 5)	High	Low	-
	01	DI 1 (T. 6)	High	Low	-
	02	DI 2 (T. 7)	High	Low	-
	03	DI 3 (T. 8)	High	Low	-
	04	DI 4 (T. 16)	High	Low	-
	05	DI 5 (T. 17)	High	Low	-
	11	DI 11 (T. 3, 4) AI 0	High	Low	-
Dependency:	Refer to: r0722				

2 Parameters

2.2 List of parameters

Note: AI: Analog Input
DI: Digital Input
T: Terminal

p0724	CU digital inputs debounce time / CU DI t_debounce		
	Access level: 4	Calculated: -	Data type: FloatingPoint32
	Can be changed: U, T	Scaling: -	Dyn. index: -
	Units group: -	Unit selection: -	Func. diagram: -
	Min	Max	Factory setting
	0.000 [ms]	20.000 [ms]	4.000 [ms]
Description:	Sets the debounce time for digital inputs.		
Note:	The digital inputs are read in cyclically every 2 ms (DI 11, DI 12 every 4 ms). To debounce the signals, the set debounce time is converted into integer multiple debounce clock cycles Tp (Tp = p0724 / 2 ms). DI: Digital Input		

p0730	BI: CU signal source for terminal DO 0 / CU S_src DO 0		
	Access level: 2	Calculated: -	Data type: U32 / Binary
	Can be changed: U, T	Scaling: -	Dyn. index: -
	Units group: -	Unit selection: -	Func. diagram: 2119, 2030, 2130
	Min	Max	Factory setting
	-	-	52.3
Description:	Sets the signal source for terminal DO 0 (NO: T. 19 / NC: T. 18).		
Recommend.:	r0052.0 Ready for switching on r0052.1 Ready for operation r0052.2 Operation enabled r0052.3 Fault present r0052.4 Coast down active (OFF2) r0052.5 Quick stop active (OFF3) r0052.6 Switching on inhibited active r0052.7 Alarm present r0052.9 Control request r0052.14 Motor rotates forwards r0053.0 DC braking active r0053.1 n_act > p2167 (n_off) r0053.2 n_act <= p1080 (n_min) r0053.3 l_act > p2170 r0053.4 n_act > p2155 r0053.5 n_act <= p2155 r0053.6 n_act >= n_set r0053.10 Technology controller output at the lower limit r0053.11 Technology controller output at the upper limit		
Notice:	The parameter may be protected as a result of p0922 or p2079 and cannot be changed.		
Note:	DO: Digital Output T: Terminal Relay output: NO = normally open, NC = normally closed		

p0731	BI: CU signal source for terminal DO 1 / CU S_src DO 1		
	Access level: 2	Calculated: -	Data type: U32 / Binary
	Can be changed: U, T	Scaling: -	Dyn. index: -
	Units group: -	Unit selection: -	Func. diagram: 2119, 2030, 2130
	Min	Max	Factory setting
	-	-	52.7
Description:	Sets the signal source for terminal DO 1 (NO: T. 21).		

Recommend.:	r0052.0 Ready for switching on r0052.1 Ready for operation r0052.2 Operation enabled r0052.3 Fault present r0052.4 Coast down active (OFF2) r0052.5 Quick stop active (OFF3) r0052.6 Switching on inhibited active r0052.7 Alarm present r0052.9 Control request r0052.14 Motor rotates forwards r0053.0 DC braking active r0053.1 n_act > p2167 (n_off) r0053.2 n_act <= p1080 (n_min) r0053.3 l_act > p2170 r0053.4 n_act > p2155 r0053.5 n_act <= p2155 r0053.6 n_act >= n_set r0053.10 Technology controller output at the lower limit r0053.11 Technology controller output at the upper limit
Notice:	The parameter may be protected as a result of p0922 or p2079 and cannot be changed.
Note:	DO: Digital Output T: Terminal Relay output: NO = normally open, NC = normally closed


r0747	CU digital outputs status / CU DO status				
	Access level: 3	Calculated: -	Data type: Unsigned32		
	Can be changed: -	Scaling: -	Dyn. index: -		
	Units group: -	Unit selection: -	Func. diagram: 2130, 2131, 2132, 2133		
	Min	Max	Factory setting		
	-	-	-		
Description:	Displays the status of digital outputs.				
Bit field:	Bit	Signal name	1 signal	0 signal	FP
	00	DO 0 (NO: T. 19 / NC: T. 18)	High	Low	-
	01	DO 1 (NO: T. 21)	High	Low	-
Note:	DO: Digital Output T: Terminal Relay output: NO = normally open, NC = normally closed Inversion using p0748 has been taken into account.				

p0748	CU invert digital outputs / CU DO inv				
	Access level: 3	Calculated: -	Data type: Unsigned32		
	Can be changed: U, T	Scaling: -	Dyn. index: -		
	Units group: -	Unit selection: -	Func. diagram: 2201, 2202, 2240, 2242		
	Min	Max	Factory setting		
	-	-	0000 bin		
Description:	Setting to invert the signals at the digital outputs.				
Bit field:	Bit	Signal name	1 signal	0 signal	FP
	00	DO 0 (NO: T. 19 / NC: T. 18)	Inverted	Not inverted	-
	01	DO 1 (NO: T. 21)	Inverted	Not inverted	-
Note:	DO: Digital Output T: Terminal Relay output: NO = normally open, NC = normally closed				

2 Parameters

2.2 List of parameters

r0751.0...9	BO: CU analog inputs status word / CU AI status word		
	Access level: 3	Calculated: -	Data type: Unsigned16
	Can be changed: -	Scaling: -	Dyn. index: -
	Units group: -	Unit selection: -	Func. diagram: 2250, 2251
	Min	Max	Factory setting
	-	-	-
Description:	Display and binector output for the status of the analog inputs.		
Bit field:	Bit	Signal name	1 signal
	00	Analog input AI0 wire breakage	Yes
	01	Analog input AI1 wire breakage	Yes
	08	Analog input AI0 no wire breakage	Yes
	09	Analog input AI1 no wire breakage	Yes
			0 signal
			No
			No
			No
			No
			FP
			-
			-
			-
Note:	AI: Analog Input		
r0752[0...1]	CO: CU analog inputs input voltage/current actual / CU AI U/I_inp act		
	Access level: 2	Calculated: -	Data type: FloatingPoint32
	Can be changed: -	Scaling: -	Dyn. index: -
	Units group: -	Unit selection: -	Func. diagram: 9566, 9568, 9576
	Min	Max	Factory setting
	-	-	-
Description:	Displays the actual input voltage in V when set as voltage input.		
	Displays the actual input current in mA when set as current input and with the load resistor switched in.		
Index:	[0] = AI0 (T. 3/4)		
	[1] = AI1 (T. 10/11)		
Dependency:	The type of analog input AIx (voltage or current input) is set using p0756.		
	Refer to: p0756		
Note:	AI: Analog Input		
	T: Terminal		
p0753[0...1]	CU analog inputs smoothing time constant / CU AI T_smooth		
	Access level: 4	Calculated: -	Data type: FloatingPoint32
	Can be changed: U, T	Scaling: -	Dyn. index: -
	Units group: -	Unit selection: -	Func. diagram: 9566, 9568, 9576
	Min	Max	Factory setting
	0.0 [ms]	1000.0 [ms]	0.0 [ms]
Description:	Sets the smoothing time constant of the 1st-order low pass filter for the analog inputs.		
Index:	[0] = AI0 (T. 3/4)		
	[1] = AI1 (T. 10/11)		
Note:	AI: Analog Input		
	T: Terminal		
r0755[0...1]	CO: CU analog inputs actual value in percent / CU AI value in %		
	Access level: 2	Calculated: -	Data type: FloatingPoint32
	Can be changed: -	Scaling: PERCENT	Dyn. index: -
	Units group: -	Unit selection: -	Func. diagram: 9566, 9568, 9576
	Min	Max	Factory setting
	- [%]	- [%]	- [%]
Description:	Displays the currently referred input value of the analog inputs.		
	When interconnected, the signals are referred to the reference quantities p200x and p205x.		
Index:	[0] = AI0 (T. 3/4)		
	[1] = AI1 (T. 10/11)		
Note:	AI: Analog Input		
	T: Terminal		

p0756[0...1]	CU analog inputs type / CU AI type		
	Access level: 2	Calculated: -	Data type: Integer16
	Can be changed: U, T	Scaling: -	Dyn. index: -
	Units group: -	Unit selection: -	Func. diagram: 9566, 9568, 9576
	Min	Max	Factory setting
	0	8	[0] 4 [1] 4
Description:	Sets the type of analog inputs. p0756[0...1] = 0, 1, 4 corresponds to a voltage input (r0752, p0757, p0759 are displayed in V). p0756[0...1] = 2, 3 corresponds to a current input (r0752, p0757, p0759 are displayed in mA). In addition, the associated DIP switch must be set. For the voltage input, DIP switch AI0/1 must be set to "U". For the current input, DIP switch AI0/1 or AI2 must be set to "I".		
Value:	0: Unipolar voltage input (0 V ... +10 V) 1: Unipolar voltage input monitored (+2 V ... +10 V) 2: Unipolar current input (0 mA ... +20 mA) 3: Unipolar current input monitored (+4 mA to +20 mA) 4: Bipolar voltage input (-10 V ... +10 V) 8: No sensor connected		
Index:	[0] = AI0 (T. 3/4) [1] = AI1 (T. 10/11)		
Warning:	The maximum voltage difference between analog input terminals AI+, AI-, and the ground must not exceed 35 V. If the system is operated when the load resistor is switched on (DIP switch set to "I"), the voltage between differential inputs AI+ and AI- must not exceed 10 V or the injected 80 mA current otherwise the input will be damaged.		
			
Note:	When changing p0756, the parameters of the scaling characteristic (p0757, p0758, p0759, p0760) are overwritten with the following default values: For p0756 = 0, 4, p0757 is set to 0.0 V, p0758 = 0.0 %, p0759 = 10.0 V and p0760 = 100.0 %. For p0756 = 1, p0757 is set to 2.0 V, p0758 = 0.0 %, p0759 = 10.0 V and p0760 = 100.0 %. For p0756 = 2, p0757 is set to 0.0 mA, p0758 = 0.0 %, p0759 = 20.0 mA and p0760 = 100.0 %. For p0756 = 3, p0757 is set to 4.0 mA, p0758 = 0.0 %, p0759 = 20.0 mA and p0760 = 100.0 %.		
p0757[0...1]	CU analog inputs characteristic value x1 / CU AI char x1		
	Access level: 2	Calculated: -	Data type: FloatingPoint32
	Can be changed: U, T	Scaling: -	Dyn. index: -
	Units group: -	Unit selection: -	Func. diagram: 9566, 9568, 9576
	Min	Max	Factory setting
	-50.000	160.000	0.000
Description:	Sets the scaling characteristic for the analog inputs. The scaling characteristic for the analog inputs is defined using 2 points. This parameter specifies the x coordinate (V, mA) of the 1st value pair of the characteristic.		
Index:	[0] = AI0 (T. 3/4) [1] = AI1 (T. 10/11)		
Note:	The parameters for the characteristic do not have a limiting effect.		
p0758[0...1]	CU analog inputs characteristic value y1 / CU AI char y1		
	Access level: 2	Calculated: -	Data type: FloatingPoint32
	Can be changed: U, T	Scaling: -	Dyn. index: -
	Units group: -	Unit selection: -	Func. diagram: 9566, 9568, 9576
	Min	Max	Factory setting
	-1000.00 [%]	1000.00 [%]	0.00 [%]
Description:	Sets the scaling characteristic for the analog inputs. The scaling characteristic for the analog inputs is defined using 2 points. This parameter specifies the y coordinate (percentage) of the 1st value pair of the characteristic.		

2 Parameters

2.2 List of parameters

Index: [0] = AI0 (T. 3/4)
[1] = AI1 (T. 10/11)

Note: The parameters for the characteristic do not have a limiting effect.

p0759[0...1]	CU analog inputs characteristic value x2 / CU AI char x2		
Access level: 2	Calculated: -	Data type: FloatingPoint32	
Can be changed: U, T	Scaling: -	Dyn. index: -	
Units group: -	Unit selection: -	Func. diagram: 9566, 9568, 9576	
Min	Max	Factory setting	
-50.000	160.000	10.000	

Description: Sets the scaling characteristic for the analog inputs.
The scaling characteristic for the analog inputs is defined using 2 points.
This parameter specifies the x coordinate (V, mA) of the 2nd value pair of the characteristic.

Index: [0] = AI0 (T. 3/4)
[1] = AI1 (T. 10/11)

Note: The parameters for the characteristic do not have a limiting effect.

p0760[0...1]	CU analog inputs characteristic value y2 / CU AI char y2		
Access level: 2	Calculated: -	Data type: FloatingPoint32	
Can be changed: U, T	Scaling: -	Dyn. index: -	
Units group: -	Unit selection: -	Func. diagram: 9566, 9568, 9576	
Min	Max	Factory setting	
-1000.00 [%]	1000.00 [%]	100.00 [%]	

Description: Sets the scaling characteristic for the analog inputs.
The scaling characteristic for the analog inputs is defined using 2 points.
This parameter specifies the y coordinate (percentage) of the 2nd value pair of the characteristic.

Index: [0] = AI0 (T. 3/4)
[1] = AI1 (T. 10/11)

Note: The parameters for the characteristic do not have a limiting effect.

p0761[0...1]	CU analog inputs wire breakage monitoring response threshold / CU WireBrkThresh		
Access level: 2	Calculated: -	Data type: FloatingPoint32	
Can be changed: U, T	Scaling: -	Dyn. index: -	
Units group: -	Unit selection: -	Func. diagram: 9566, 9568	
Min	Max	Factory setting	
0.00	20.00	2.00	

Description: Sets the response threshold for the wire breakage monitoring of the analog inputs.
The unit for the parameter value depends on the set analog input type.

Index: [0] = AI0 (T. 3/4)
[1] = AI1 (T. 10/11)

Dependency: For the following analog input type, the wire breakage monitoring is active:
p0756[0...1] = 1 (unipolar voltage input monitored (+2 V ... +10 V)), unit [V]
p0756[0...1] = 3 (unipolar current input monitored (+4 mA ... +20 mA)), unit [mA]
Refer to: p0756

Note: AI: Analog Input
When p0761 = 0, wire breakage monitoring is not carried out.

p0764[0...1]	CU analog inputs dead zone / CU AI dead zone		
	Access level: 2	Calculated: -	Data type: FloatingPoint32
	Can be changed: U, T	Scaling: -	Dyn. index: -
	Units group: -	Unit selection: -	Func. diagram: 2251
	Min 0.000 [V]	Max 20.000 [V]	Factory setting 0.000 [V]
Description:	Determines the width of the dead zone at the analog input. Analog input type unipolar (e.g. 0 ... +10 V): The dead zone starts with the characteristic value x1/y1 (p0757/p0758). Analog input type bipolar (e.g. -10 V ... +10 V): The dead zone is located at the symmetrical center between characteristic value x1/y1 (p0757/p0758) and x2/y2 (p0759/p0760). The set value doubles the dead zone.		
Index:	[0] = AI0 (T. 3/4) [1] = AI1 (T. 10/11)		
Note:	AI: Analog Input T: Terminal		
p0771[0...1]	CI: CU analog outputs signal source / CU AO S_src		
	Access level: 2	Calculated: -	Data type: U32 / FloatingPoint32
	Can be changed: U, T	Scaling: PERCENT	Dyn. index: -
	Units group: -	Unit selection: -	Func. diagram: 2261
	Min -	Max -	Factory setting [0] 21[0] [1] 27[0]
Description:	Sets the signal source for the analog outputs.		
Index:	[0] = AO0 (T 12/13) [1] = AO1 (T 26/27)		
Note:	AO: Analog Output T: Terminal		
r0772[0...1]	CU analog outputs output value currently referred / CU AO outp act ref		
	Access level: 3	Calculated: -	Data type: FloatingPoint32
	Can be changed: -	Scaling: -	Dyn. index: -
	Units group: -	Unit selection: -	Func. diagram: 9572
	Min - [%]	Max - [%]	Factory setting - [%]
Description:	Displays the actual referred output value of the analog outputs.		
Index:	[0] = AO0 (T 12/13) [1] = AO1 (T 26/27)		
Note:	AO: Analog Output T: Terminal		
r0774[0...1]	CU analog outputs output voltage/current actual / CU AO U/I_outp		
	Access level: 2	Calculated: -	Data type: FloatingPoint32
	Can be changed: -	Scaling: p2001	Dyn. index: -
	Units group: -	Unit selection: -	Func. diagram: 9572
	Min -	Max -	Factory setting -
Description:	Displays the actual output voltage or output current at the analog outputs.		
Index:	[0] = AO0 (T 12/13) [1] = AO1 (T 26/27)		
Dependency:	Refer to: p0776		

2 Parameters

2.2 List of parameters

Note: AO: Analog Output
T: Terminal

p0775[0...1] CU analog outputs activate absolute value generation / CU AO absVal act

Access level: 2	Calculated: -	Data type: Integer16
Can be changed: T	Scaling: -	Dyn. index: -
Units group: -	Unit selection: -	Func. diagram: 9572
Min	Max	Factory setting
0	1	0

Description: Activates the absolute value generation for the analog outputs.

Value: 0: No absolute value generation
1: Absolute value generation switched in

Index: [0] = AO0 (T 12/13)
[1] = AO1 (T 26/27)

Note: AO: Analog Output
T: Terminal

p0776[0...1] CU analog outputs type / CU AO type

Access level: 2	Calculated: -	Data type: Integer16
Can be changed: U, T	Scaling: -	Dyn. index: -
Units group: -	Unit selection: -	Func. diagram: 9572
Min	Max	Factory setting
0	2	0

Description: Sets the analog output type.

p0776[x] = 1 corresponds to a voltage output (p0774, p0778, p0780 are displayed in V).
p0776[x] = 0, 2 corresponds to a current output (p0774, p0778, p0780 are displayed in mA).

Value: 0: Current output (0 mA ... +20 mA)
1: Voltage output (0 V ... +10 V)
2: Current output (+4 mA ... +20 mA)

Index: [0] = AO0 (T 12/13)
[1] = AO1 (T 26/27)

Note: When changing p0776, the parameters of the scaling characteristic (p0777, p0778, p0779, p0780) are overwritten with the following default values:

For p0776 = 0, p0777 is set to 0.0 %, p0778 = 0.0 mA, p0779 = 100.0 % and p0780 to 20.0 mA.

For p0776 = 1, p0777 is set to 0.0 %, p0778 = 0.0 V, p0779 = 100.0 % and p0780 to 10.0 V.

For p0776 = 2, p0777 is set to 0.0 %, p0778 = 4.0 mA, p0779 = 100.0 % and p0780 to 20.0 mA.

p0777[0...1] CU analog outputs characteristic value x1 / CU AO char x1

Access level: 2	Calculated: -	Data type: FloatingPoint32
Can be changed: U, T	Scaling: -	Dyn. index: -
Units group: -	Unit selection: -	Func. diagram: 9572
Min	Max	Factory setting
-1000.00 [%]	1000.00 [%]	0.00 [%]

Description: Sets the scaling characteristic for the analog outputs.

The scaling characteristic for the analog outputs is defined using 2 points.

This parameter specifies the x coordinate (percentage) of the 1st value pair of the characteristic.

Index: [0] = AO0 (T 12/13)
[1] = AO1 (T 26/27)

Dependency: Refer to: p0776

Notice: This parameter is automatically overwritten when changing p0776 (type of analog outputs).

Note: The parameters for the characteristic do not have a limiting effect.

p0778[0...1]	CU analog outputs characteristic value y1 / CU AO char y1		
	Access level: 2	Calculated: -	Data type: FloatingPoint32
	Can be changed: U, T	Scaling: -	Dyn. index: -
	Units group: -	Unit selection: -	Func. diagram: 9572
	Min	Max	Factory setting
	-20.000 [V]	20.000 [V]	0.000 [V]
Description:	Sets the scaling characteristic for the analog outputs. The scaling characteristic for the analog outputs is defined using 2 points. This parameter specifies the y coordinate (output voltage in V or output current in mA) of the 1st value pair of the characteristic.		
Index:	[0] = AO0 (T 12/13) [1] = AO1 (T 26/27)		
Dependency:	The unit of this parameter (V or mA) depends on the analog output type. Refer to: p0776		
Notice:	This parameter is automatically overwritten when changing p0776 (type of analog outputs).		
Note:	The parameters for the characteristic do not have a limiting effect.		
p0779[0...1]	CU analog outputs characteristic value x2 / CU AO char x2		
	Access level: 2	Calculated: -	Data type: FloatingPoint32
	Can be changed: U, T	Scaling: -	Dyn. index: -
	Units group: -	Unit selection: -	Func. diagram: 9572
	Min	Max	Factory setting
	-1000.00 [%]	1000.00 [%]	100.00 [%]
Description:	Sets the scaling characteristic for the analog outputs. The scaling characteristic for the analog outputs is defined using 2 points. This parameter specifies the x coordinate (percentage) of the 2nd value pair of the characteristic.		
Index:	[0] = AO0 (T 12/13) [1] = AO1 (T 26/27)		
Dependency:	Refer to: p0776		
Notice:	This parameter is automatically overwritten when changing p0776 (type of analog outputs).		
Note:	The parameters for the characteristic do not have a limiting effect.		
p0780[0...1]	CU analog outputs characteristic value y2 / CU AO char y2		
	Access level: 2	Calculated: -	Data type: FloatingPoint32
	Can be changed: U, T	Scaling: -	Dyn. index: -
	Units group: -	Unit selection: -	Func. diagram: 9572
	Min	Max	Factory setting
	-20.000 [V]	20.000 [V]	20.000 [V]
Description:	Sets the scaling characteristic for the analog outputs. The scaling characteristic for the analog outputs is defined using 2 points. This parameter specifies the y coordinate (output voltage in V or output current in mA) of the 2nd value pair of the characteristic.		
Index:	[0] = AO0 (T 12/13) [1] = AO1 (T 26/27)		
Dependency:	The unit of this parameter (V or mA) depends on the analog output type. Refer to: p0776		
Notice:	This parameter is automatically overwritten when changing p0776 (type of analog outputs).		
Note:	The parameters for the characteristic do not have a limiting effect.		

p0782[0...1]	BI: CU analog outputs invert signal source / CU AO inv S_src		
	Access level: 3	Calculated: -	Data type: U32 / Binary
	Can be changed: U, T	Scaling: -	Dyn. index: -
	Units group: -	Unit selection: -	Func. diagram: 9572
	Min	Max	Factory setting
	-	-	0
Description:	Sets the signal source to invert the analog output signals.		
Index:	[0] = AO0 (T 12/13) [1] = AO1 (T 26/27)		
Note:	AO: Analog Output T: Terminal		

r0785.0...1	BO: CU analog outputs status word / CU AO ZSW				
	Access level: 3	Calculated: -	Data type: Unsigned16		
	Can be changed: -	Scaling: -	Dyn. index: -		
	Units group: -	Unit selection: -	Func. diagram: 9572		
	Min	Max	Factory setting		
	-	-	-		
Description:	Displays the status of analog outputs.				
Bit field:	Bit	Signal name	1 signal	0 signal	FP
	00	AO 0 negative	Yes	No	-
	01	AO 1 negative	Yes	No	-
Note:	AO: Analog Output				

p0795	CU digital inputs simulation mode / CU DI simulation				
	Access level: 3	Calculated: -	Data type: Unsigned32		
	Can be changed: U, T	Scaling: -	Dyn. index: -		
	Units group: -	Unit selection: -	Func. diagram: 2201, 2202, 2220, 2221, 2255, 2256		
	Min	Max	Factory setting		
	-	-	0000 0000 0000 0000 bin		
Description:	Sets the simulation mode for digital inputs.				
Bit field:	Bit	Signal name	1 signal	0 signal	FP
	00	DI 0 (T. 5)	Simulation	Terminal eval	-
	01	DI 1 (T. 6)	Simulation	Terminal eval	-
	02	DI 2 (T. 7)	Simulation	Terminal eval	-
	03	DI 3 (T. 8)	Simulation	Terminal eval	-
	04	DI 4 (T. 16)	Simulation	Terminal eval	-
	05	DI 5 (T. 17)	Simulation	Terminal eval	-
	11	DI 11 (T. 3, 4) AI 0	Simulation	Terminal eval	-
	12	DI 12 (T. 10, 11) AI 1	Simulation	Terminal eval	-
Dependency:	The setpoint for the input signals is specified using p0796. Refer to: p0796				
Note:	This parameter is not saved when data is backed up (p0971). DI: Digital Input T: Terminal				

p0796 **CU digital inputs simulation mode setpoint / CU DI simul setp**

Access level: 3	Calculated: -	Data type: Unsigned32
Can be changed: U, T	Scaling: -	Dyn. index: -
Units group: -	Unit selection: -	Func. diagram: 2201, 2202, 2220, 2221, 2255, 2256
Min	Max	Factory setting
-	-	0000 0000 0000 0000 bin

Description: Sets the setpoint for the input signals in the digital input simulation mode.

Bit field:

Bit	Signal name	1 signal	0 signal	FP
00	DI 0 (T. 5)	High	Low	-
01	DI 1 (T. 6)	High	Low	-
02	DI 2 (T. 7)	High	Low	-
03	DI 3 (T. 8)	High	Low	-
04	DI 4 (T. 16)	High	Low	-
05	DI 5 (T. 17)	High	Low	-
11	DI 11 (T. 3, 4) AI 0	High	Low	-
12	DI 12 (T. 10, 11) AI 1	High	Low	-

Dependency: The simulation of a digital input is selected using p0795.
Refer to: p0795

Note: This parameter is not saved when data is backed up (p0971).
AI: Analog Input
DI: Digital Input
T: Terminal

p0797[0...1] **CU analog inputs simulation mode / CU AI sim_mode**

Access level: 3	Calculated: -	Data type: Integer16
Can be changed: U, T	Scaling: -	Dyn. index: -
Units group: -	Unit selection: -	Func. diagram: -
Min	Max	Factory setting
0	1	0

Description: Sets the simulation mode for the analog inputs.

Value:
0: Terminal evaluation for analog input x
1: Simulation for analog input x

Index:
[0] = AI0 (T. 3/4)
[1] = AI1 (T. 10/11)

Dependency: The setpoint for the input voltage is specified via p0798.
Refer to: p0798

Note: This parameter is not saved when data is backed up (p0971).
AI: Analog Input

p0798[0...1] **CU analog inputs simulation mode setpoint / CU AI sim setp**

Access level: 3	Calculated: -	Data type: FloatingPoint32
Can be changed: U, T	Scaling: -	Dyn. index: -
Units group: -	Unit selection: -	Func. diagram: -
Min	Max	Factory setting
-50.000	2000.000	0.000

Description: Sets the setpoint for the input value in the simulation mode of the analog inputs.

Index:
[0] = AI0 (T. 3/4)
[1] = AI1 (T. 10/11)

Dependency: The simulation of an analog input is selected using p0797.
If AI x is parameterized as a voltage input (p0756), the setpoint is a voltage in V.
If AI x is parameterized as a current input (p0756), the setpoint is a current in mA.
Refer to: p0756, p0797

2 Parameters

2.2 List of parameters

Note: This parameter is not saved when data is backed up (p0971).
AI: Analog Input

p0802	Data transfer: memory card as source/target / mem_card src/targ		
	Access level: 3	Calculated: -	Data type: Integer16
	Can be changed: T	Scaling: -	Dyn. index: -
	Units group: -	Unit selection: -	Func. diagram: -
	Min	Max	Factory setting
	0	100	0
Description:	Sets the number for data transfer of a parameter backup from/to memory card. Transfer from memory card to device memory (p0804 = 1): - Sets the source of parameter backup (e.g. p0802 = 48 --> PS048xxx.ACX is the source). Transfer from non-volatile device memory to memory card (p0804 = 2): - Sets the target of parameter backup (e.g. p0802 = 23 --> PS023xxx.ACX is the target).		
Dependency:	Refer to: p0803, p0804		
Notice:	If the data between the volatile and non-volatile device memories differ, then it may be necessary to save the data on the memory card in a non-volatile fashion prior to the transfer (e.g. p0971 = 1).		

p0803	Data transfer: device memory as source/target / Dev_mem src/targ		
	Access level: 3	Calculated: -	Data type: Integer16
	Can be changed: T	Scaling: -	Dyn. index: -
	Units group: -	Unit selection: -	Func. diagram: -
	Min	Max	Factory setting
	0	12	0
Description:	Sets the number for data transfer of a parameter backup from/to device memory. Transfer from memory card to device memory (p0804 = 1): - Sets the target of the parameter backup (e.g. p0803 = 10 --> PS010xxx.ACX is the target). Transfer from non-volatile device memory to memory card (p0804 = 2): - Sets the source of the parameter backup (e.g. p0803 = 11 --> PS011xxx.ACX is the source).		
Value:	0: Source/target standard 10: Source/target with setting 10 11: Source/target with setting 11 12: Source/target with setting 12		
Dependency:	Refer to: p0802, p0804		
Notice:	If the data between the volatile and non-volatile device memories differ, then it may be necessary to save the data on the memory card in a non-volatile fashion prior to the transfer (e.g. p0971 = 1).		

p0804	Data transfer start / Data transf start		
G120C_CAN	Access level: 3	Calculated: -	Data type: Integer16
G120C_USS	Can be changed: T	Scaling: -	Dyn. index: -
	Units group: -	Unit selection: -	Func. diagram: -
	Min	Max	Factory setting
	0	1100	0
Description:	Sets the transfer direction and start of data transfer between the memory card and non-volatile device memory. Example 1: The parameter backup is to be transferred from the device memory to the memory card with setting 0. The parameter backup is to be stored on the memory card with setting 22. p0802 = 22 (parameter backup stored on memory card as target with setting 22) p0803 = 0 (parameter backup stored in device memory as source with setting 0) p0804 = 2 (start data transfer from device memory to memory card) --> PS000xxx.ACX is transferred from device memory to memory card and stored as PS022xxx.ACX.		

Example 2:

The parameter backup is to be transferred from the memory card to the device memory with setting 22. The parameter backup is to be stored in the device memory as setting 0.

p0802 = 22 (parameter backup stored on memory card as source with setting 22)

p0803 = 0 (parameter backup stored in device memory as target with setting 0)

p0804 = 1 (start data transfer from memory card to device memory)

--> PS022xxx.ACX is transferred from memory card to device memory and stored as PS000xxx.ACX.

Example 3 (only supported for PROFIBUS/PROFINET):

The PROFIBUS or PROFINET device master data (GSD) should be transferred from the device memory to the memory card.

p0802 = (not relevant)

p0803 = (not relevant)

p0804 = 12 (start transferring the GSD files to the memory card)

--> The GSD files are transferred from the device memory to the memory card and stored in the /SIEMENS/SINAMICS/DATA/CFG directory.

Value:

0: Inactive
 1: Memory card to device memory
 2: Device memory to memory card
 1001: File on memory card cannot be opened
 1002: File in device memory cannot be opened
 1003: Memory card not found
 1100: File cannot be transferred

Dependency:

Refer to: p0802, p0803

Notice:

The memory card must not be removed while data is being transferred.

For p0014 = 1, the following applies:

After the value has been modified, no further parameter modifications can be made and the status is shown in r3996. Modifications can be made again when r3996 = 0.

Note:

If a parameter backup with setting 0 is detected on the memory card when the Control Unit is switched on (PS000xxx.ACX), this is transferred automatically to the device memory.

When the memory card is inserted, a parameter backup with setting 0 (PS000xxx.ACX) is automatically written to the memory card when the parameters are saved in a non-volatile memory (e.g. by means of "Copy RAM to ROM").

Once the data has been successfully transferred, this parameter is automatically reset to 0. If an error occurs, the parameter is set to a value > 1000. Possible fault causes:

p0804 = 1001:

The parameter backup set in p0802 as the source on the memory card does not exist or there is not sufficient memory space available on the memory card.

p0804 = 1002:

The parameter backup set in p0803 as the source in the device memory does not exist or there is not sufficient memory space available in the device memory.

p0804 = 1003:

No memory card has been inserted.

p0804**Data transfer start / Data transf start**

G120C_DP

Access level: 3**Calculated:** -**Data type:** Integer16

G120C_PN

Can be changed: T**Scaling:** -**Dyn. index:** -**Units group:** -**Unit selection:** -**Func. diagram:** -**Min****Max****Factory setting**

0

1100

0

Description:

Sets the transfer direction and start of data transfer between the memory card and non-volatile device memory.

Example 1:

The parameter backup is to be transferred from the device memory to the memory card with setting 0. The parameter backup is to be stored on the memory card with setting 22.

p0802 = 22 (parameter backup stored on memory card as target with setting 22)

p0803 = 0 (parameter backup stored in device memory as source with setting 0)

p0804 = 2 (start data transfer from device memory to memory card)

--> PS000xxx.ACX is transferred from device memory to memory card and stored as PS022xxx.ACX.

2 Parameters

2.2 List of parameters

Example 2:

The parameter backup is to be transferred from the memory card to the device memory with setting 22. The parameter backup is to be stored in the device memory as setting 0.

p0802 = 22 (parameter backup stored on memory card as source with setting 22)

p0803 = 0 (parameter backup stored in device memory as target with setting 0)

p0804 = 1 (start data transfer from memory card to device memory)

--> PS022xxx.ACX is transferred from memory card to device memory and stored as PS000xxx.ACX.

Example 3 (only supported for PROFIBUS/PROFINET):

The PROFIBUS or PROFINET device master data (GSD) should be transferred from the device memory to the memory card.

p0802 = (not relevant)

p0803 = (not relevant)

p0804 = 12 (start transferring the GSD files to the memory card)

--> The GSD files are transferred from the device memory to the memory card and stored in the /SIEMENS/SINAMICS/DATA/CFG directory.

Value:

0: Inactive
1: Memory card to device memory
2: Device memory to memory card
12: Device memory (GSD files) to memory card
1001: File on memory card cannot be opened
1002: File in device memory cannot be opened
1003: Memory card not found
1100: File cannot be transferred

Dependency:

Refer to: p0802, p0803

Notice:

The memory card must not be removed while data is being transferred.

For p0014 = 1, the following applies:

After the value has been modified, no further parameter modifications can be made and the status is shown in r3996. Modifications can be made again when r3996 = 0.

Note:

If a parameter backup with setting 0 is detected on the memory card when the Control Unit is switched on (PS000xxx.ACX), this is transferred automatically to the device memory.

When the memory card is inserted, a parameter backup with setting 0 (PS000xxx.ACX) is automatically written to the memory card when the parameters are saved in a non-volatile memory (e.g. by means of "Copy RAM to ROM").

Once the data has been successfully transferred, this parameter is automatically reset to 0. If an error occurs, the parameter is set to a value > 1000. Possible fault causes:

p0804 = 1001:

The parameter backup set in p0802 as the source on the memory card does not exist or there is not sufficient memory space available on the memory card.

p0804 = 1002:

The parameter backup set in p0803 as the source in the device memory does not exist or there is not sufficient memory space available in the device memory.

p0804 = 1003:

No memory card has been inserted.

p0806

BI: Inhibit master control / PcCtrl inhibit

Access level: 3

Calculated: -

Data type: U32 / Binary

Can be changed: T

Scaling: -

Dyn. index: -

Units group: -

Unit selection: -

Func. diagram: -

Min

Max

Factory setting

-

-

0

Description:

Sets the signal source to block the master control.

Dependency:

Refer to: r0807

Note:

The commissioning software (drive control panel) uses the master control, for example.

r0807.0	BO: Master control active / PcCtrl active			
	Access level: 3	Calculated: -	Data type: Unsigned8	
	Can be changed: -	Scaling: -	Dyn. index: -	
	Units group: -	Unit selection: -	Func. diagram: -	
	Min	Max	Factory setting	
	-	-	-	
Description:	Displays what has the master control. The drive can be controlled via the BICO interconnection or from external (e.g. the commissioning software).			
Bit field:	Bit	Signal name	1 signal	0 signal
	00	Master control active	Yes	No
				FP
				3030, 6031
Dependency:	Refer to: p0806			
Notice:	The master control only influences control word 1 and speed setpoint 1. Other control words/setpoints can be transferred from another automation device.			
Note:	Bit 0 = 0: BICO interconnection active Bit 0 = 1: Master control for PC/AOP The commissioning software (drive control panel) uses the master control, for example.			
p0809[0...2]	Copy Command Data Set CDS / Copy CDS			
	Access level: 2	Calculated: -	Data type: Unsigned8	
	Can be changed: T	Scaling: -	Dyn. index: -	
	Units group: -	Unit selection: -	Func. diagram: 8560	
	Min	Max	Factory setting	
	0	3	0	
Description:	Copies one Command Data Set (CDS) into another.			
Index:	[0] = Source Command Data Set [1] = Target Command Data Set [2] = Start copying procedure			
Dependency:	Refer to: r3996			
Notice:	When the command data sets are copied, short-term communication interruptions may occur.			
Note:	Procedure: 1. In Index 0, enter which command data set should be copied. 2. In Index 1, enter the command data set that is to be copied into. 3. Start copying: Set index 2 from 0 to 1. p0809[2] is automatically set to 0 when copying is completed.			
p0810	BI: Command data set selection CDS bit 0 / CDS select., bit 0			
G120C_CAN	Access level: 2	Calculated: -	Data type: U32 / Binary	
G120C_USS	Can be changed: T	Scaling: -	Dyn. index: -	
	Units group: -	Unit selection: -	Func. diagram: 8560	
	Min	Max	Factory setting	
	-	-	0	
Description:	Sets the signal source to select the Command Data Set bit 0 (CDS bit 0).			
Dependency:	Refer to: r0050, r0836			
Notice:	The parameter may be protected as a result of p0922 or p2079 and cannot be changed.			
Note:	The Command Data Set selected using the binector inputs is displayed in r0836. The currently effective command data set is displayed in r0050. A Command Data Set can be copied using p0809.			

p0810	BI: Command data set selection CDS bit 0 / CDS select., bit 0		
G120C_DP	Access level: 2	Calculated: -	Data type: U32 / Binary
G120C_PN	Can be changed: T	Scaling: -	Dyn. index: -
	Units group: -	Unit selection: -	Func. diagram: 8560
	Min	Max	Factory setting
	-	-	722.3
Description:	Sets the signal source to select the Command Data Set bit 0 (CDS bit 0).		
Dependency:	Refer to: r0050, r0836		
Notice:	The parameter may be protected as a result of p0922 or p2079 and cannot be changed.		
Note:	The Command Data Set selected using the binector inputs is displayed in r0836. The currently effective command data set is displayed in r0050. A Command Data Set can be copied using p0809.		

p0819[0...2]	Copy Drive Data Set DDS / Copy DDS		
	Access level: 3	Calculated: -	Data type: Unsigned8
	Can be changed: C(15)	Scaling: -	Dyn. index: -
	Units group: -	Unit selection: -	Func. diagram: 8565
	Min	Max	Factory setting
	0	1	0
Description:	Copies one Drive Data Set (DDS) into another.		
Index:	[0] = Source Drive Data Set [1] = Target Drive Data Set [2] = Start copying procedure		
Dependency:	Refer to: r3996		
Notice:	When the drive data sets are copied, short-term communication interruptions may occur.		
Note:	Procedure: 1. In Index 0, enter which drive data set is to be copied. 2. In Index 1, enter the drive data set data that is to be copied into. 3. Start copying: Set index 2 from 0 to 1. p0819[2] is automatically set to 0 when copying is completed.		

p0820[0...n]	BI: Drive Data Set selection DDS bit 0 / DDS select., bit 0		
	Access level: 3	Calculated: -	Data type: U32 / Binary
	Can be changed: C(15), T	Scaling: -	Dyn. index: CDS, p0170
	Units group: -	Unit selection: -	Func. diagram: 8565
	Min	Max	Factory setting
	-	-	0
Description:	Sets the signal source to select the Drive Data Set, bit 0 (DDS, bit 0).		
Dependency:	Refer to: r0051, p0826, r0837		
Notice:	The parameter may be protected as a result of p0922 or p2079 and cannot be changed.		

p0826[0...n]	Motor changeover motor number / Mot_chng mot No.		
	Access level: 3	Calculated: -	Data type: Unsigned16
	Can be changed: C(3), T	Scaling: -	Dyn. index: MDS
	Units group: -	Unit selection: -	Func. diagram: -
	Min	Max	Factory setting
	0	1	0
Description:	Sets the freely-assignable motor number for the drive data set changeover. If the same motor is driven by different drive data sets, the same motor number must also be entered in these data sets. If the motor is also switched with the drive data set, different motor numbers must be used. In this case, the data set can only be switched when the pulse inhibit is set.		

Note: If the motor numbers are identical, the same thermal motor model is used for calculation after data set changeover. If different motor numbers are used, different models are also used for calculating (the inactive motor cools down in each case).

r0835.2...8	CO/BO: Data set changeover status word / DDS_ZSW		
Access level: 2	Calculated: -	Data type: Unsigned16	
Can be changed: -	Scaling: -	Dyn. index: -	
Units group: -	Unit selection: -	Func. diagram: 8575	
Min	Max	Factory setting	
-	-	-	

Description: Displays the status word for the drive data set changeover.

Bit field:	Bit	Signal name	1 signal	0 signal	FP
	02	Internal parameter calculation active	Yes	No	-
	04	Armature short circuit active	Yes	No	-
	05	Identification running	Yes	No	-
	07	Rotating measurement running	Yes	No	-
	08	Motor data identification running	Yes	No	-

Note: Re bit 02:
A data set changeover is delayed by the time required for the internal parameter calculation.

Re bit 04:
A data set changeover is only carried out when the armature short circuit is not activated.

Re bit 05:
A data set changeover is only carried out when pole position identification is not running.

Re bit 07:
A data set changeover is only carried out when rotating measurement is not running.

Re bit 08:
A data set changeover is only carried out when motor data identification is not running.

r0836.0...1	CO/BO: Command Data Set CDS selected / CDS selected		
Access level: 3	Calculated: -	Data type: Unsigned8	
Can be changed: -	Scaling: -	Dyn. index: -	
Units group: -	Unit selection: -	Func. diagram: 8560	
Min	Max	Factory setting	
-	-	-	

Description: Displays the command data set (CDS) selected via the binector input.

Bit field:	Bit	Signal name	1 signal	0 signal	FP
	00	CDS select. bit 0	ON	OFF	-
	01	CDS select. bit 1	ON	OFF	-

Dependency: Refer to: r0050, p0810

Note: Command data sets are selected via binector input p0810 and following.
The currently effective command data set is displayed in r0050.

r0837.0	CO/BO: Drive Data Set DDS selected / DDS selected		
Access level: 3	Calculated: -	Data type: Unsigned8	
Can be changed: -	Scaling: -	Dyn. index: -	
Units group: -	Unit selection: -	Func. diagram: 8565	
Min	Max	Factory setting	
-	-	-	

Description: Displays the drive data set (DDS) selected via the binector input.

Bit field:	Bit	Signal name	1 signal	0 signal	FP
	00	DDS select. bit 0	ON	OFF	-

Dependency: Refer to: r0051, p0820

2 Parameters

2.2 List of parameters

Note: Drive data sets are selected via binector input p0820 and following.
The currently effective drive data set is displayed in r0051.
If there is only one data set, then a value of 0 is displayed in this parameter and not the selection via binector inputs.


p0840[0...n]	BI: ON / OFF (OFF1) / ON / OFF (OFF1)		
G120C_CAN	Access level: 3	Calculated: -	Data type: U32 / Binary
G120C_USS	Can be changed: T	Scaling: -	Dyn. index: CDS, p0170
	Units group: -	Unit selection: -	Func. diagram: 2501, 2610, 8720, 8820, 8920
	Min	Max	Factory setting
	-	-	[0] 722.0 [1] 0

Description: Sets the signal source for the command "ON/OFF (OFF1)".
For the PROFIdrive profile, this command corresponds to control word 1 bit 0 (STW1.0).

Recommend.: When the setting for this binector input is changed, the motor can only be switched on by means of an appropriate signal change of the source.

Dependency: Refer to: p1055, p1056

Caution: When "master control from PC" is activated, this binector input is ineffective.

 **Notice:** For binector input p0840 = 0 signal, the motor can be moved, jogging using binector input p1055 or p1056.
The command "ON/OFF (OFF1)" can be issued using binector input p0840 or p1055/p1056.
For binector input p0840 = 0 signal, the switch-on inhibit is acknowledged.
Only the signal source that originally powered up can also power down again.
The parameter may be protected as a result of p0922 or p2079 and cannot be changed.

Note: For drives with closed-loop speed control (p1300 = 20), the following applies:
- BI: p0840 = 0 signal: OFF1 (braking with the ramp-function generator, then pulse suppression and switch-on inhibit)
- BI: p0840 = 0/1 signal: ON (pulses can be enabled)


p0840[0...n]	BI: ON / OFF (OFF1) / ON / OFF (OFF1)		
G120C_DP	Access level: 3	Calculated: -	Data type: U32 / Binary
G120C_PN	Can be changed: T	Scaling: -	Dyn. index: CDS, p0170
	Units group: -	Unit selection: -	Func. diagram: 2501, 2610, 8720, 8820, 8920
	Min	Max	Factory setting
	-	-	[0] 2090.0 [1] 0

Description: Sets the signal source for the command "ON/OFF (OFF1)".
For the PROFIdrive profile, this command corresponds to control word 1 bit 0 (STW1.0).

Recommend.: When the setting for this binector input is changed, the motor can only be switched on by means of an appropriate signal change of the source.

Dependency: Refer to: p1055, p1056

Caution: When "master control from PC" is activated, this binector input is ineffective.

 **Notice:** For binector input p0840 = 0 signal, the motor can be moved, jogging using binector input p1055 or p1056.
The command "ON/OFF (OFF1)" can be issued using binector input p0840 or p1055/p1056.
For binector input p0840 = 0 signal, the switch-on inhibit is acknowledged.
Only the signal source that originally powered up can also power down again.
The parameter may be protected as a result of p0922 or p2079 and cannot be changed.

Note: For drives with closed-loop speed control (p1300 = 20), the following applies:
- BI: p0840 = 0 signal: OFF1 (braking with the ramp-function generator, then pulse suppression and switch-on inhibit)
- BI: p0840 = 0/1 signal: ON (pulses can be enabled)

p0844[0...n]		BI: No coast-down / coast-down (OFF2) signal source 1 / OFF2 S_src 1	
G120C_CAN	Access level: 3	Calculated: -	Data type: U32 / Binary
G120C_USS	Can be changed: T	Scaling: -	Dyn. index: CDS, p0170
	Units group: -	Unit selection: -	Func. diagram: 2501, 8720, 8820, 8920
	Min	Max	Factory setting
	-	-	1

Description: Sets the first signal source for the command "No coast down/coast down (OFF2)".
The following signals are AND'ed:
- BI: p0844 "No coast-down / coast-down (OFF2) signal source 1"
- BI: p0845 "No coast-down / coast-down (OFF2) signal source 2"
For the PROFIdrive profile, the result of the AND logic operation corresponds to control word 1 bit 1 (STW1.1).
BI: p0844 = 0 signal or BI: p0845 = 0 signal
- OFF2 (immediate pulse suppression and switch on inhibit)
BI: p0844 = 1 signal and BI: p0845 = 1 signal
- No OFF2 (enable is possible)

Caution: When "master control from PC" is activated, this binector input is ineffective.



Notice: The parameter may be protected as a result of p0922 or p2079 and cannot be changed.

p0844[0...n]		BI: No coast-down / coast-down (OFF2) signal source 1 / OFF2 S_src 1	
G120C_DP	Access level: 3	Calculated: -	Data type: U32 / Binary
G120C_PN	Can be changed: T	Scaling: -	Dyn. index: CDS, p0170
	Units group: -	Unit selection: -	Func. diagram: 2501, 8720, 8820, 8920
	Min	Max	Factory setting
	-	-	[0] 2090.1 [1] 1

Description: Sets the first signal source for the command "No coast down/coast down (OFF2)".
The following signals are AND'ed:
- BI: p0844 "No coast-down / coast-down (OFF2) signal source 1"
- BI: p0845 "No coast-down / coast-down (OFF2) signal source 2"
For the PROFIdrive profile, the result of the AND logic operation corresponds to control word 1 bit 1 (STW1.1).
BI: p0844 = 0 signal or BI: p0845 = 0 signal
- OFF2 (immediate pulse suppression and switch on inhibit)
BI: p0844 = 1 signal and BI: p0845 = 1 signal
- No OFF2 (enable is possible)

Caution: When "master control from PC" is activated, this binector input is ineffective.



Notice: The parameter may be protected as a result of p0922 or p2079 and cannot be changed.

p0845[0...n]		BI: No coast-down / coast-down (OFF2) signal source 2 / OFF2 S_src 2	
	Access level: 3	Calculated: -	Data type: U32 / Binary
	Can be changed: T	Scaling: -	Dyn. index: CDS, p0170
	Units group: -	Unit selection: -	Func. diagram: 2501, 8720, 8820, 8920
	Min	Max	Factory setting
	-	-	1

Description: Sets the second signal source for the command "No coast down/coast down (OFF2)".
The following signals are AND'ed:
- BI: p0844 "No coast-down / coast-down (OFF2) signal source 1"
- BI: p0845 "No coast-down / coast-down (OFF2) signal source 2"

2 Parameters

2.2 List of parameters

For the PROFIdrive profile, the result of the AND logic operation corresponds to control word 1 bit 1 (STW1.1).

BI: p0844 = 0 signal or BI: p0845 = 0 signal

- OFF2 (immediate pulse suppression and switch on inhibit)

BI: p0844 = 1 signal and BI: p0845 = 1 signal

- No OFF2 (enable is possible)

Caution:

When "master control from PC" is activated, this binector input is effective.



p0848[0...n]

BI: No Quick Stop / Quick Stop (OFF3) signal source 1 / OFF3 S_src 1

G120C_CAN

Access level: 3

Calculated: -

Data type: U32 / Binary

G120C_USS

Can be changed: T

Scaling: -

Dyn. index: CDS, p0170

Units group: -

Unit selection: -

Func. diagram: 2501

Min

Max

Factory setting

-

-

1

Description:

Sets the first signal source for the command "No quick stop/quick stop (OFF3)".

The following signals are AND'ed:

- BI: p0848 "No quick stop / quick stop (OFF3) signal source 1"

- BI: p0849 "No quick stop / quick stop (OFF3) signal source 2"

For the PROFIdrive profile, the result of the AND logic operation corresponds to control word 1 bit 2 (STW1.2).

BI: p0848 = 0 signal or BI: p0849 = 0 signal

- OFF3 (braking along the OFF3 ramp (p1135), then pulse suppression and switch on inhibit)

BI: p0848 = 1 signal and BI: p0849 = 1 signal

- No OFF3 (enable is possible)

Caution:

When "master control from PC" is activated, this binector input is ineffective.



Notice:

The parameter may be protected as a result of p0922 or p2079 and cannot be changed.

Note:

For drives with closed-loop torque control (activated using p1501), the following applies:

BI: p0848 = 0 signal:

- No dedicated braking response, but pulse suppression when standstill is detected (p1226, p1227).

p0848[0...n]

BI: No Quick Stop / Quick Stop (OFF3) signal source 1 / OFF3 S_src 1

G120C_DP

Access level: 3

Calculated: -

Data type: U32 / Binary

G120C_PN

Can be changed: T

Scaling: -

Dyn. index: CDS, p0170

Units group: -

Unit selection: -

Func. diagram: 2501

Min

Max

Factory setting

-

-

[0] 2090.2

[1] 1

Description:

Sets the first signal source for the command "No quick stop/quick stop (OFF3)".

The following signals are AND'ed:

- BI: p0848 "No quick stop / quick stop (OFF3) signal source 1"

- BI: p0849 "No quick stop / quick stop (OFF3) signal source 2"

For the PROFIdrive profile, the result of the AND logic operation corresponds to control word 1 bit 2 (STW1.2).

BI: p0848 = 0 signal or BI: p0849 = 0 signal

- OFF3 (braking along the OFF3 ramp (p1135), then pulse suppression and switch on inhibit)

BI: p0848 = 1 signal and BI: p0849 = 1 signal

- No OFF3 (enable is possible)

Caution:

When "master control from PC" is activated, this binector input is ineffective.



Notice:


The parameter may be protected as a result of p0922 or p2079 and cannot be changed.


Note:

For drives with closed-loop torque control (activated using p1501), the following applies:

BI: p0848 = 0 signal:

- No dedicated braking response, but pulse suppression when standstill is detected (p1226, p1227).

p0849[0...n]	BI: No Quick Stop / Quick Stop (OFF3) signal source 2 / OFF3 S_src 2		
	Access level: 3	Calculated: -	Data type: U32 / Binary
	Can be changed: T	Scaling: -	Dyn. index: CDS, p0170
	Units group: -	Unit selection: -	Func. diagram: 2501
	Min	Max	Factory setting
	-	-	1
Description:	Sets the second signal source for the command "No quick stop/quick stop (OFF3)". The following signals are AND'ed: - BI: p0848 "No quick stop / quick stop (OFF3) signal source 1" - BI: p0849 "No quick stop / quick stop (OFF3) signal source 2" For the PROFIdrive profile, the result of the AND logic operation corresponds to control word 1 bit 2 (STW1.2). BI: p0848 = 0 signal or BI: p0849 = 0 signal - OFF3 (braking along the OFF3 ramp (p1135), then pulse suppression and switch on inhibit) BI: p0848 = 1 signal and BI: p0849 = 1 signal - No OFF3 (enable is possible)		
Caution:	When "master control from PC" is activated, this binector input is effective.		
			
Note:	For drives with closed-loop torque control (activated using p1501), the following applies: BI: p0849 = 0 signal: - No dedicated braking response, but pulse suppression when standstill is detected (p1226, p1227).		

p0852[0...n]	BI: Enable operation/inhibit operation / Operation enable		
G120C_CAN	Access level: 3	Calculated: -	Data type: U32 / Binary
G120C_USS	Can be changed: T	Scaling: -	Dyn. index: CDS, p0170
	Units group: -	Unit selection: -	Func. diagram: 2501
	Min	Max	Factory setting
	-	-	1
Description:	Sets the signal source for the command "enable operation/inhibit operation". For the PROFIdrive profile, this command corresponds to control word 1 bit 3 (STW1.3). BI: p0852 = 0 signal Inhibit operation (suppress pulses). BI: p0852 = 1 signal Enable operation (pulses can be enabled).		
Caution:	When "master control from PC" is activated, this binector input is ineffective.		
			
Notice:	The parameter may be protected as a result of p0922 or p2079 and cannot be changed.		

p0852[0...n]	BI: Enable operation/inhibit operation / Operation enable		
G120C_DP	Access level: 3	Calculated: -	Data type: U32 / Binary
G120C_PN	Can be changed: T	Scaling: -	Dyn. index: CDS, p0170
	Units group: -	Unit selection: -	Func. diagram: 2501
	Min	Max	Factory setting
	-	-	[0] 2090.3 [1] 1
Description:	Sets the signal source for the command "enable operation/inhibit operation". For the PROFIdrive profile, this command corresponds to control word 1 bit 3 (STW1.3). BI: p0852 = 0 signal Inhibit operation (suppress pulses). BI: p0852 = 1 signal Enable operation (pulses can be enabled).		

2 Parameters

2.2 List of parameters

Caution: When "master control from PC" is activated, this binector input is ineffective.



Notice: The parameter may be protected as a result of p0922 or p2079 and cannot be changed.

p0854[0...n]	BI: Control by PLC/no control by PLC / Master ctrl by PLC		
G120C_CAN	Access level: 3	Calculated: -	Data type: U32 / Binary
G120C_USS	Can be changed: T	Scaling: -	Dyn. index: CDS, p0170
	Units group: -	Unit selection: -	Func. diagram: 2501
	Min	Max	Factory setting
	-	-	1

Description: Sets the signal source for the command "control by PLC/no control by PLC".
For the PROFIdrive profile, this command corresponds to control word 1 bit 10 (STW1.10).
BI: p0854 = 0 signal
No control by PLC
BI: p0854 = 1 signal
Master control by PLC.

Caution: When "master control from PC" is activated, this binector input is ineffective.



Notice: The parameter may be protected as a result of p0922 or p2079 and cannot be changed.

Note: This bit is used to initiate a response for the drives when the control fails (F07220). If there is no control available, then binector input p0854 should be set to 1.

If a control is available, then STW1.10 must be set to 1 (PZD1) so that the received data is updated. This applies regardless of the setting in p0854 and even in the case of free telegram configuration (p0922 = 999).

p0854[0...n]	BI: Control by PLC/no control by PLC / Master ctrl by PLC		
G120C_DP	Access level: 3	Calculated: -	Data type: U32 / Binary
G120C_PN	Can be changed: T	Scaling: -	Dyn. index: CDS, p0170
	Units group: -	Unit selection: -	Func. diagram: 2501
	Min	Max	Factory setting
	-	-	[0] 2090.10 [1] 1

Description: Sets the signal source for the command "control by PLC/no control by PLC".
For the PROFIdrive profile, this command corresponds to control word 1 bit 10 (STW1.10).
BI: p0854 = 0 signal
No control by PLC
BI: p0854 = 1 signal
Master control by PLC.

Caution: When "master control from PC" is activated, this binector input is ineffective.



Notice: The parameter may be protected as a result of p0922 or p2079 and cannot be changed.

Note: This bit is used to initiate a response for the drives when the control fails (F07220). If there is no control available, then binector input p0854 should be set to 1.

If a control is available, then STW1.10 must be set to 1 (PZD1) so that the received data is updated. This applies regardless of the setting in p0854 and even in the case of free telegram configuration (p0922 = 999).

p0855[0...n]	BI: Unconditionally release holding brake / Uncond open brake		
	Access level: 3	Calculated: -	Data type: U32 / Binary
	Can be changed: T	Scaling: -	Dyn. index: CDS, p0170
	Units group: -	Unit selection: -	Func. diagram: 2501, 2701
	Min	Max	Factory setting
	-	-	0

Description: Sets the signal source for the command "unconditionally open holding brake".

Dependency: Refer to: p0858

Notice: The parameter may be protected as a result of p0922 or p2079 and cannot be changed.
Note: The signal via BI: p0858 (unconditionally close holding brake) has a higher priority than via BI: p0855 (unconditionally open holding brake).

p0856[0...n]	BI: Speed controller enable / n_ctrl enable		
	Access level: 3	Calculated: -	Data type: U32 / Binary
	Can be changed: T	Scaling: -	Dyn. index: CDS, p0170
	Units group: -	Unit selection: -	Func. diagram: 2501, 2701
	Min	Max	Factory setting
	-	-	1

Description: Sets the signal source for the command "enable speed controller" (r0898.12).
0 signal: Set the I component and speed controller output to zero.
1 signal: Enable speed controller.

Dependency: Refer to: r0898

Note: If "enable speed controller" is withdrawn, then an existing brake will be closed.
If "speed controller enable" is withdrawn, the pulses are not suppressed.

p0858[0...n]	BI: Unconditionally close holding brake / Uncond close brake		
	Access level: 3	Calculated: -	Data type: U32 / Binary
	Can be changed: T	Scaling: -	Dyn. index: CDS, p0170
	Units group: -	Unit selection: -	Func. diagram: 2501, 2701
	Min	Max	Factory setting
	-	-	0

Description: Sets the signal source for the command "unconditionally close holding brake".

Dependency: Refer to: p0855

Note: The signal via BI: p0858 (unconditionally close holding brake) has a higher priority than via BI: p0855 (unconditionally open holding brake).
For a 1 signal via BI: p0858, the command "unconditionally close the holding brake" is executed and internally a zero setpoint is entered.

p0867	Power unit main contactor holding time after OFF1 / PU t_MC after OFF1		
	Access level: 3	Calculated: -	Data type: FloatingPoint32
	Can be changed: T	Scaling: -	Dyn. index: -
	Units group: -	Unit selection: -	Func. diagram: -
	Min	Max	Factory setting
	0.0 [ms]	500.0 [ms]	50.0 [ms]

Description: Sets the main contactor holding time after OFF1

Dependency: Refer to: p0869

Note: After withdrawing the OFF1 enable (source of p0840), the main contactor is opened after the main contactor holding time has elapsed.
For p0869 = 1 (keep main contactor closed for STO), after withdrawing STO, the switch-on inhibit must be acknowledged via the source of p0840 = 0 (OFF1) – and before the main contactor holding time expires, should go back to 1, otherwise the main contactor will open.
When operating a drive connected to SINUMERIK, which only closes the main contactor with the OFF1 command (blocksize, chassis), p0867 should be set as a minimum to 50 ms.

p0869	Sequence control configuration / Seq_ctrl config		
	Access level: 3	Calculated: -	Data type: Unsigned16
	Can be changed: T	Scaling: -	Dyn. index: -
	Units group: -	Unit selection: -	Func. diagram: -
	Min	Max	Factory setting
	-	-	0000 bin

Description: Sets the configuration for the sequence control.

2 Parameters

2.2 List of parameters

Bit field:	Bit	Signal name	1 signal	0 signal	FP
	00	Keep main contactor closed for STO	Yes	No	-
Dependency:	Refer to: p0867				
Note:	Re bit 00: After withdrawing the OFF1 enable (source of p0840), the main contactor is opened after the main contactor holding time has elapsed. For p0869.0 = 1, after withdrawing STO, the switch-on inhibit must be acknowledged via the source of p0840 = 0 (OFF1) – and before the main contactor holding time expires (p0867), should go back to 1, otherwise the main contactor will open.				

r0898.0...14	CO/BO: Control word sequence control / STW seq_ctrl		
	Access level: 2	Calculated: -	Data type: Unsigned16
	Can be changed: -	Scaling: -	Dyn. index: -
	Units group: -	Unit selection: -	Func. diagram: 2501
	Min	Max	Factory setting
	-	-	-

Description: Display and connector output for the control word of the sequence control.

Bit field:	Bit	Signal name	1 signal	0 signal	FP
	00	ON/OFF1	Yes	No	-
	01	OC / OFF2	Yes	No	-
	02	OC / OFF3	Yes	No	-
	03	Operation enable	Yes	No	-
	04	Ramp-function generator enable	Yes	No	-
	05	Continue ramp-function generator	Yes	No	-
	06	Speed setpoint enable	Yes	No	-
	07	Command open brake	Yes	No	-
	08	Jog 1	Yes	No	3001
	09	Jog 2	Yes	No	3001
	10	Master ctrl by PLC	Yes	No	-
	12	Speed controller enable	Yes	No	-
	14	Command close brake	Yes	No	-

Note: OC: Operating condition

r0899.0...13	CO/BO: Status word sequence control / ZSW seq_ctrl		
	Access level: 2	Calculated: -	Data type: Unsigned16
	Can be changed: -	Scaling: -	Dyn. index: -
	Units group: -	Unit selection: -	Func. diagram: 2503
	Min	Max	Factory setting
	-	-	-

Description: Display and BICO output for the status word of the sequence control.

Bit field:	Bit	Signal name	1 signal	0 signal	FP
	00	Rdy for switch on	Yes	No	-
	01	Ready	Yes	No	-
	02	Operation enabled	Yes	No	-
	03	Jog active	Yes	No	-
	04	No coasting active	OFF2 inactive	OFF2 active	-
	05	No Quick Stop active	OFF3 inactive	OFF3 active	-
	06	Switching on inhibited active	Yes	No	-
	07	Drive ready	Yes	No	-
	08	Controller enable	Yes	No	-
	09	Control request	Yes	No	-
	11	Pulses enabled	Yes	No	-
	12	Open holding brake	Yes	No	-
	13	Command close holding brake	Yes	No	-

Note: Re bits 00, 01, 02, 04, 05, 06, 09:
For PROFIdrive, these signals are used for status word 1.

p0918		PROFIBUS address / PB address		
G120C_DP	Access level: 2	Calculated: -	Data type: Unsigned16	
	Can be changed: T	Scaling: -	Dyn. index: -	
	Units group: -	Unit selection: -	Func. diagram: 2401, 2410	
	Min	Max	Factory setting	
	1	126	126	
Description:	Displays or sets the PROFIBUS address for PROFIBUS interface on the Control Unit. The address can be set as follows: 1) Using the DIP switch on the Control Unit. --> p0918 can then only be read and displays the selected address. --> A change only becomes effective after a POWER ON. 2) Using p0918 --> Only if all of the DIP switches are set to ON or OFF. --> The address is saved in a non-volatile fashion using the function "copy from RAM to ROM". --> A change only becomes effective after a POWER ON.			
Notice:	For p0014 = 1, the following applies: After the value has been modified, no further parameter modifications can be made and the status is shown in r3996. Modifications can be made again when r3996 = 0. For p0014 = 0, the following applies: Before a changed setting becomes permanently effective, a non-volatile RAM to ROM data save is required. To do this, set p0971 = 1 or p0014 = 1.			
Note:	Permissible PROFIBUS addresses: 1 ... 126 Address 126 is used for commissioning. Every PROFIBUS address change only becomes effective after a POWER ON.			

p0922		PROFIdrive PZD telegram selection / PZD telegr_sel		
G120C_DP	Access level: 1	Calculated: -	Data type: Unsigned16	
G120C_PN	Can be changed: C(1), T	Scaling: -	Dyn. index: -	
	Units group: -	Unit selection: -	Func. diagram: 2401, 2420	
	Min	Max	Factory setting	
	1	999	1	
Description:	Sets the send and receive telegram.			
Value:	1: Standard telegram 1, PZD-2/2 20: Standard telegram 20, PZD-2/6 352: SIEMENS telegram 352, PZD-6/6 353: SIEMENS telegram 353, PZD-2/2, PKW-4/4 354: SIEMENS telegram 354, PZD-6/6, PKW-4/4 999: Free telegram configuration with BICO			
Dependency:	Refer to: p2038			
Note:	For p0922 = 100 ... 199, p2038 is automatically set to 1 and p2038 can no longer be changed. This means that for these telegrams, the "SIMODRIVE 611 universal" interface mode is set and cannot be changed. If a value is not equal to 999, a telegram is set and the automatically set interconnections in the telegram are inhibited. The inhibited interconnections can only be changed again after setting value 999.			

r0944		CO: Counter for fault buffer changes / Fault buff change		
	Access level: 3	Calculated: -	Data type: Unsigned16	
	Can be changed: -	Scaling: -	Dyn. index: -	
	Units group: -	Unit selection: -	Func. diagram: 8060	
	Min	Max	Factory setting	
	-	-	-	
Description:	Displays fault buffer changes. This counter is incremented every time the fault buffer changes.			
Recommend.:	Used to check whether the fault buffer has been read out consistently.			
Dependency:	Refer to: r0945, r0947, r0948, r0949, r2109			

r0945[0...63]	Fault code / Fault code		
	Access level: 3	Calculated: -	Data type: Unsigned16
	Can be changed: -	Scaling: -	Dyn. index: -
	Units group: -	Unit selection: -	Func. diagram: 8050, 8060
	Min	Max	Factory setting
	-	-	-
Description:	Displays the numbers of faults that have occurred.		
Dependency:	Refer to: r0947, r0948, r0949, r2109, r2130, r2133, r2136, r3120, r3122		
Notice:	The properties of the fault buffer should be taken from the corresponding product documentation.		
Note:	The buffer parameters are cyclically updated in the background (refer to status signal in r2139). Fault buffer structure (general principle): r0945[0], r0949[0], r0948[0], r2109[0] --> actual fault case, fault 1 ... r0945[7], r0949[7], r0948[7], r2109[7] --> actual fault case, fault 8 r0945[8], r0949[8], r0948[8], r2109[8] --> 1st acknowledged fault case, fault 1 ... r0945[15], r0949[15], r0948[15], r2109[15] --> 1st acknowledged fault case, fault 8 ... r0945[56], r0949[56], r0948[56], r2109[56] --> 7th acknowledged fault case, fault 1 ... r0945[63], r0949[63], r0948[63], r2109[63] --> 7th acknowledged fault case, fault 8		

r0946[0...65534]	Fault code list / Fault code list		
	Access level: 3	Calculated: -	Data type: Unsigned16
	Can be changed: -	Scaling: -	Dyn. index: -
	Units group: -	Unit selection: -	Func. diagram: 8060
	Min	Max	Factory setting
	-	-	-
Description:	Lists the fault codes stored in the drive unit. The indices can only be accessed with a valid fault code.		
Dependency:	The parameter assigned to the fault code is entered in r0951 under the same index.		

r0947[0...63]	Fault number / Fault number		
	Access level: 2	Calculated: -	Data type: Unsigned16
	Can be changed: -	Scaling: -	Dyn. index: -
	Units group: -	Unit selection: -	Func. diagram: 8050, 8060
	Min	Max	Factory setting
	-	-	-
Description:	This parameter is identical to r0945.		

r0948[0...63]	Fault time received in milliseconds / t_fault rcv ms		
	Access level: 3	Calculated: -	Data type: Unsigned32
	Can be changed: -	Scaling: -	Dyn. index: -
	Units group: -	Unit selection: -	Func. diagram: 8050, 8060
	Min	Max	Factory setting
	- [ms]	- [ms]	- [ms]
Description:	Displays the system runtime in milliseconds when the fault occurred.		
Dependency:	Refer to: r0945, r0947, r0949, r2109, r2130, r2133, r2136		
Notice:	The time comprises r2130 (days) and r0948 (milliseconds).		
Note:	The buffer parameters are cyclically updated in the background (refer to status signal in r2139). The structure of the fault buffer and the assignment of the indices is shown in r0945. When the parameter is read via PROFIdrive, the TimeDifference data type applies.		

r0949[0...63]	Fault value / Fault value		
	Access level: 3	Calculated: -	Data type: Integer32
	Can be changed: -	Scaling: -	Dyn. index: -
	Units group: -	Unit selection: -	Func. diagram: 8050, 8060
	Min	Max	Factory setting
	-	-	-
Description:	Displays additional information about the fault that occurred (as integer number).		
Dependency:	Refer to: r0945, r0947, r0948, r2109, r2130, r2133, r2136, r3120, r3122		
Note:	The buffer parameters are cyclically updated in the background (refer to status signal in r2139). The structure of the fault buffer and the assignment of the indices is shown in r0945.		
p0952	Fault cases counter / Fault cases qty		
	Access level: 3	Calculated: -	Data type: Unsigned16
	Can be changed: U, T	Scaling: -	Dyn. index: -
	Units group: -	Unit selection: -	Func. diagram: 6700, 8060
	Min	Max	Factory setting
	0	65535	0
Description:	Number of fault situations that have occurred since the last reset.		
Dependency:	The fault buffer is deleted (cleared) by setting p0952 to 0. Refer to: r0945, r0947, r0948, r0949, r2109, r2130, r2133, r2136		
r0963	PROFIBUS baud rate / PB baud rate		
G120C_DP	Access level: 3	Calculated: -	Data type: Unsigned16
	Can be changed: -	Scaling: -	Dyn. index: -
	Units group: -	Unit selection: -	Func. diagram: -
	Min	Max	Factory setting
	0	255	-
Description:	Displays the corresponding value for the PROFIBUS baud rate.		
Value:	0: 9.6 kbit/s 1: 19.2 kbit/s 2: 93.75 kbit/s 3: 187.5 kbit/s 4: 500 kbit/s 6: 1.5 Mbit/s 7: 3 Mbit/s 8: 6 Mbit/s 9: 12 Mbit/s 10: 31.25 kbit/s 11: 45.45 kbit/s 255: Unknown		
r0964[0...6]	Device identification / Device ident		
	Access level: 3	Calculated: -	Data type: Unsigned16
	Can be changed: -	Scaling: -	Dyn. index: -
	Units group: -	Unit selection: -	Func. diagram: -
	Min	Max	Factory setting
	-	-	-
Description:	Displays the device identification.		
Index:	[0] = Company (Siemens = 42) [1] = Device type [2] = Firmware version [3] = Firmware date (year) [4] = Firmware date (day/month) [5] = Number of drive objects [6] = Firmware patch/hot fix		

2 Parameters

2.2 List of parameters

Note: Example:
 r0964[0] = 42 --> SIEMENS
 r0964[1] = device type, see below
 r0964[2] = 403 --> first part of the firmware version V04.03 (for second part, refer to index 6)
 r0964[3] = 2010 --> year 2010
 r0964[4] = 1705 --> 17th of May
 r0964[5] = 2 --> 2 drive objects
 r0964[6] = 200 --> second part, firmware version (complete version: V04.03.02.00)
 Device type:
 r0964[1] = 6510 --> SINAMICS G120C_DP
 r0964[1] = 6511 --> SINAMICS G120C_PN
 r0964[1] = 6512 --> SINAMICS G120C_CAN
 r0964[1] = 6513 --> SINAMICS G120C_USS/MB

r0965	PROFdrive profile number / PD profile number		
G120C_DP	Access level: 3	Calculated: -	Data type: Unsigned16
G120C_PN	Can be changed: -	Scaling: -	Dyn. index: -
	Units group: -	Unit selection: -	Func. diagram: -
	Min	Max	Factory setting
	-	-	-

Description: Displays the PROFdrive profile number and profile version.
 Constant value = 0329 hex.
 Byte 1: Profile number = 03 hex = PROFdrive profile
 Byte 2: Profile version = 29 hex = Version 4.1

Note: When the parameter is read via PROFdrive, the Octet String 2 data type applies.

p0969	System runtime relative / t_System relative		
	Access level: 3	Calculated: -	Data type: Unsigned32
	Can be changed: T	Scaling: -	Dyn. index: -
	Units group: -	Unit selection: -	Func. diagram: 8050, 8060
	Min	Max	Factory setting
	0 [ms]	4294967295 [ms]	0 [ms]

Description: Displays the system runtime in ms since the last POWER ON.

Note: The value in p0969 can only be reset to 0.
 The value overflows after approx. 49 days.
 When the parameter is read via PROFdrive, the TimeDifference data type applies.

p0970	Reset drive parameters / Drive par reset		
	Access level: 1	Calculated: -	Data type: Unsigned16
	Can be changed: C(1, 30)	Scaling: -	Dyn. index: -
	Units group: -	Unit selection: -	Func. diagram: -
	Min	Max	Factory setting
	0	300	0

Description: The parameter is used to initiate the reset of the drive parameters.
 Parameters p0100, p0205 are not reset.
 The following motor parameters are defined in accordance with the power unit: p0300 ... p0311.
 When downloading settings 10, 11, 12, the buffer memory mode is automatically deactivated (p0014 = 0).

Value:

- 0: Inactive
- 1: Start a parameter reset
- 3: Start download of volatile parameters from RAM
- 5: Starts a safety parameter reset
- 10: Start loading the parameters saved with p0971=10
- 11: Start loading the parameters saved with p0971=11
- 12: Start loading the parameters saved with p0971=12

100: Start a BICO interconnection reset
300: Only Siemens int

Notice: After the value has been modified, no further parameter modifications can be made and the status is shown in r3996. Modifications can be made again when r3996 = 0.

When the buffer memory is active (see p0014), the actual parameters are backed up from RAM to ROM when a parameter set is loaded (p0970 = 10, 11, 12).

Peculiarities of communication via PROFIBUS DP:

- Communication with Class 1 masters (e.g. S7 controllers) is interrupted.
- Communication with Class 2 masters (e.g. STARTER) is retained.

Note: A factory setting run can only be started if p0010 was first set to 30 (parameter reset).

At the end of the calculations, p0970 is automatically set to 0.

Parameter reset is completed with p0970 = 0 and r3996[0] = 0.

For p0970 = 1 the following applies:

If a Safety Integrated function is parameterized (p9601), then the safety parameters are not reset. In this case, an error message (F01659) is output with fault value 2.

The following generally applies:

One index of parameters p2100, p2101, p2126, p2127 is not reset, if a parameterized message is precisely active in this index.

p0971**Save parameters / Save par**

Access level: 1	Calculated: -	Data type: Unsigned16
Can be changed: U, T	Scaling: -	Dyn. index: -
Units group: -	Unit selection: -	Func. diagram: -
Min	Max	Factory setting
0	12	0

Description: Setting to save parameters in the non-volatile memory.

When saving, only the adjustable parameters intended to be saved are taken into account.

Value:

- 0: Inactive
- 1: Save drive object
- 10: Save in non-volatile memory as setting 10
- 11: Save in non-volatile memory as setting 11
- 12: Save in non-volatile memory as setting 12

Dependency: Refer to: p0970, p1960, r3996

Caution: If a memory card (optional) is inserted – and the USB interface is not used, the following applies:



The parameters are also saved on the card and therefore overwrite any existing data!

Notice: The Control Unit power supply may only be powered down after data has been saved (i.e. after data save has been started, wait until the parameter again has the value 0).

Writing to parameters is inhibited while saving.

The progress while saving is displayed in r3996.

Note: Parameters saved with p0971 = 10, 11, 12 can be loaded again with p0970 = 10, 11 or 12.

Identification and maintenance data (I&M data, p8806 and following) are only saved for p0971 = 1.

p0972**Drive unit reset / Drv_unit reset**

Access level: 3	Calculated: -	Data type: Unsigned16
Can be changed: U, T	Scaling: -	Dyn. index: -
Units group: -	Unit selection: -	Func. diagram: -
Min	Max	Factory setting
0	3	0

Description: Sets the required procedure to execute a hardware reset for the drive unit.

Value:

- 0: Inactive
- 1: Hardware-Reset immediate
- 2: Hardware reset preparation
- 3: Hardware reset after cyclic communication has failed

Danger: It must be absolutely ensured that the system is in a safe condition.



The memory card/device memory of the Control Unit must not be accessed.

2 Parameters

2.2 List of parameters

Note:

If value = 1:
Reset is immediately executed and communications interrupted.
After communications have been established, check the reset operation (refer below).
If value = 2:
Help to check the reset operation.
Firstly, set p0972 = 2 and then read back. Secondly, set p0972 = 1 (it is possible that this request is possibly no longer acknowledged). The communication is then interrupted.
After communications have been established, check the reset operation (refer below).
If value = 3:
The reset is executed after interrupting cyclic communication. This setting is used to implement a synchronized reset by a control for several drive units.
If cyclic communication is not active, then the reset is immediately executed.
After communications have been established, check the reset operation (refer below).
To check the reset operation:
After the drive unit has been restarted and communications have been established, read p0972 and check the following:
p0972 = 0? --> The reset was successfully executed.
p0972 > 0? --> The reset was not executed.

r0980[0...299] List of existing parameters 1 / List avail par 1

Access level: 4	Calculated: -	Data type: Unsigned16
Can be changed: -	Scaling: -	Dyn. index: -
Units group: -	Unit selection: -	Func. diagram: -
Min	Max	Factory setting
-	-	-

Description: Displays the parameters that exist for this drive.

Dependency: Refer to: r0981, r0989

Note: The existing parameters are displayed in indices 0 to 298. If an index contains the value 0, then the list ends here. In a long list, index 299 contains the parameter number at which position the list continues.
This list consists solely of the following parameters:
r0980[0...299], r0981[0...299] ... r0989[0...299]
The parameters in this list are not displayed in the expert list of the commissioning software. However, they can be read from a higher-level control system (e.g. PROFIBUS master).

r0981[0...299] List of existing parameters 2 / List avail par 2

Access level: 4	Calculated: -	Data type: Unsigned16
Can be changed: -	Scaling: -	Dyn. index: -
Units group: -	Unit selection: -	Func. diagram: -
Min	Max	Factory setting
-	-	-

Description: Displays the parameters that exist for this drive.

Dependency: Refer to: r0980, r0989

Note: The existing parameters are displayed in indices 0 to 298. If an index contains the value 0, then the list ends here. In a long list, index 299 contains the parameter number at which position the list continues.
This list consists solely of the following parameters:
r0980[0...299], r0981[0...299] ... r0989[0...299]
The parameters in this list are not displayed in the expert list of the commissioning software. However, they can be read from a higher-level control system (e.g. PROFIBUS master).

r0989[0...299]	List of existing parameters 10 / List avail par 10		
	Access level: 4	Calculated: -	Data type: Unsigned16
	Can be changed: -	Scaling: -	Dyn. index: -
	Units group: -	Unit selection: -	Func. diagram: -
	Min	Max	Factory setting
	-	-	-
Description:	Displays the parameters that exist for this drive.		
Dependency:	Refer to: r0980, r0981		
Note:	The existing parameters are displayed in indices 0 to 298. If an index contains the value 0, then the list ends here. This list consists solely of the following parameters: r0980[0...299], r0981[0...299] ... r0989[0...299] The parameters in this list are not displayed in the expert list of the commissioning software. However, they can be read from a higher-level control system (e.g. PROFIBUS master).		
r0990[0...99]	List of modified parameters 1 / List chang par 1		
	Access level: 4	Calculated: -	Data type: Unsigned16
	Can be changed: -	Scaling: -	Dyn. index: -
	Units group: -	Unit selection: -	Func. diagram: -
	Min	Max	Factory setting
	-	-	-
Description:	Displays those parameters with a value other than the factory setting for this drive.		
Dependency:	Refer to: r0991, r0999		
Note:	Modified parameters are displayed in indices 0 to 98. If an index contains the value 0, then the list ends here. In a long list, index 99 contains the parameter number at which position the list continues. This list consists solely of the following parameters: r0990[0...99], r0991[0...99] ... r0999[0...99] The parameters in this list are not displayed in the expert list of the commissioning software. However, they can be read from a higher-level control system (e.g. PROFIBUS master).		
r0991[0...99]	List of modified parameters 2 / List chang par 2		
	Access level: 4	Calculated: -	Data type: Unsigned16
	Can be changed: -	Scaling: -	Dyn. index: -
	Units group: -	Unit selection: -	Func. diagram: -
	Min	Max	Factory setting
	-	-	-
Description:	Displays those parameters with a value other than the factory setting for this drive.		
Dependency:	Refer to: r0990, r0999		
Note:	Modified parameters are displayed in indices 0 to 98. If an index contains the value 0, then the list ends here. In a long list, index 99 contains the parameter number at which position the list continues. This list consists solely of the following parameters: r0990[0...99], r0991[0...99] ... r0999[0...99] The parameters in this list are not displayed in the expert list of the commissioning software. However, they can be read from a higher-level control system (e.g. PROFIBUS master).		
r0999[0...99]	List of modified parameters 10 / List chang par 10		
	Access level: 4	Calculated: -	Data type: Unsigned16
	Can be changed: -	Scaling: -	Dyn. index: -
	Units group: -	Unit selection: -	Func. diagram: -
	Min	Max	Factory setting
	-	-	-
Description:	Displays those parameters with a value other than the factory setting for this drive.		
Dependency:	Refer to: r0990, r0991		

Note: Modified parameters are displayed in indices 0 to 98. If an index contains the value 0, then the list ends here.
 This list consists solely of the following parameters:
 r0990[0...99], r0991[0...99] ... r0999[0...99]
 The parameters in this list are not displayed in the expert list of the commissioning software. However, they can be read from a higher-level control system (e.g. PROFIBUS master).

p1000[0...n]	Speed setpoint selection / n_set sel		
G120C_CAN	Access level: 1	Calculated: -	Data type: Integer16
G120C_USS	Can be changed: T	Scaling: -	Dyn. index: CDS, p0170
	Units group: -	Unit selection: -	Func. diagram: -
	Min	Max	Factory setting
	0	200	2

Description: Sets the source for the speed setpoint.
 For single-digit values, the following applies:
 The value specifies the main setpoint.
 For double-digit values, the following applies:
 The left-hand digit specifies the supplementary setpoint, the right-hand digit the main setpoint.
 Example:

Value = 26
 --> The analog setpoint (2) supplies the supplementary setpoint.
 --> The fieldbus (6) supplies the main setpoint.


- Value:**
- 0: No main setpoint
 - 1: Motorized potentiometer
 - 2: Analog setpoint
 - 3: Fixed speed setpoint
 - 6: Fieldbus
 - 10: Motor potentiometer + no main setpoint
 - 11: Motor potentiometer + motor potentiometer
 - 12: Motor potentiometer + analog setpoint
 - 13: Motor potentiometer + fixed speed setpoint
 - 16: Motor potentiometer + fieldbus
 - 20: Analog setpoint + no main setpoint
 - 21: Analog setpoint + motor potentiometer
 - 22: Analog setpoint + analog setpoint
 - 23: Analog setpoint + fixed speed setpoint
 - 26: Analog setpoint + fieldbus
 - 30: Fixed speed setpoint + no main setpoint
 - 31: Fixed speed setpoint + motor potentiometer
 - 32: Fixed speed setpoint + analog setpoint
 - 33: Fixed speed setpoint + fixed speed setpoint
 - 36: Fixed speed setpoint + fieldbus
 - 60: Fieldbus + no main setpoint
 - 61: Fieldbus + motor potentiometer
 - 62: Fieldbus + analog setpoint
 - 63: Fieldbus + fixed speed setpoint
 - 66: Fieldbus+fieldbus
 - 200: Analog output connection

Dependency: When changing this parameter, the following settings are influenced:
 Refer to: p1070, p1071, p1075, p1076

Caution: If p1000 is selected as the main setpoint of the fieldbus, the following BICO interconnection is set automatically:
 p2051[1] = r0063



Notice: The parameter is possibly protected as a result of p0922.
 For PROFIBUS/PROFINET Control Units, the following applies: The parameter can be freely set by setting p0922 = 999.
 When executing a specific macro, the corresponding programmed settings are made and become active.

p1000[0...n]	Speed setpoint selection / n_set sel		
G120C_DP	Access level: 1	Calculated: -	Data type: Integer16
G120C_PN	Can be changed: T	Scaling: -	Dyn. index: CDS, p0170
	Units group: -	Unit selection: -	Func. diagram: -
	Min	Max	Factory setting
	0	200	6
Description:	Sets the source for the speed setpoint. For single-digit values, the following applies: The value specifies the main setpoint. For double-digit values, the following applies: The left-hand digit specifies the supplementary setpoint, the right-hand digit the main setpoint. Example: Value = 26 --> The analog setpoint (2) supplies the supplementary setpoint. --> The fieldbus (6) supplies the main setpoint.		
Value:	0: No main setpoint 1: Motorized potentiometer 2: Analog setpoint 3: Fixed speed setpoint 6: Fieldbus 10: Motor potentiometer + no main setpoint 11: Motor potentiometer + motor potentiometer 12: Motor potentiometer + analog setpoint 13: Motor potentiometer + fixed speed setpoint 16: Motor potentiometer + fieldbus 20: Analog setpoint + no main setpoint 21: Analog setpoint + motor potentiometer 22: Analog setpoint + analog setpoint 23: Analog setpoint + fixed speed setpoint 26: Analog setpoint + fieldbus 30: Fixed speed setpoint + no main setpoint 31: Fixed speed setpoint + motor potentiometer 32: Fixed speed setpoint + analog setpoint 33: Fixed speed setpoint + fixed speed setpoint 36: Fixed speed setpoint + fieldbus 60: Fieldbus + no main setpoint 61: Fieldbus + motor potentiometer 62: Fieldbus + analog setpoint 63: Fieldbus + fixed speed setpoint 66: Fieldbus+fieldbus 200: Analog output connection		
Dependency:	When changing this parameter, the following settings are influenced: Refer to: p1070, p1071, p1075, p1076		
Caution:	If p1000 is selected as the main setpoint of the fieldbus, the following BICO interconnection is set automatically: p2051[1] = r0063		
			
Notice:	The parameter is possibly protected as a result of p0922. For PROFIBUS/PROFINET Control Units, the following applies: The parameter can be freely set by setting p0922 = 999. When executing a specific macro, the corresponding programmed settings are made and become active.		

p1001[0...n]	CO: Fixed speed setpoint 1 / n_set_fixed 1		
	Access level: 2	Calculated: -	Data type: FloatingPoint32
	Can be changed: U, T	Scaling: p2000	Dyn. index: DDS, p0180
	Units group: 3_1	Unit selection: p0505	Func. diagram: 3010
	Min	Max	Factory setting
	-210000.000 [rpm]	210000.000 [rpm]	0.000 [rpm]
Description:	Setting and connector output for fixed speed setpoint 1.		

2 Parameters

2.2 List of parameters

Dependency: Refer to: p1020, p1021, p1022, p1023, r1024
Notice: A BICO interconnection to a parameter that belongs to a drive data set always acts on the effective data set.

p1002[0...n] **CO: Fixed speed setpoint 2 / n_set_fixed 2**

Access level: 2	Calculated: -	Data type: FloatingPoint32
Can be changed: U, T	Scaling: p2000	Dyn. index: DDS, p0180
Units group: 3_1	Unit selection: p0505	Func. diagram: 3010
Min -210000.000 [rpm]	Max 210000.000 [rpm]	Factory setting 0.000 [rpm]

Description: Setting and connector output for fixed speed setpoint 2.
Dependency: Refer to: p1020, p1021, p1022, p1023, r1024
Notice: A BICO interconnection to a parameter that belongs to a drive data set always acts on the effective data set.

p1003[0...n] **CO: Fixed speed setpoint 3 / n_set_fixed 3**

Access level: 2	Calculated: -	Data type: FloatingPoint32
Can be changed: U, T	Scaling: p2000	Dyn. index: DDS, p0180
Units group: 3_1	Unit selection: p0505	Func. diagram: 3010
Min -210000.000 [rpm]	Max 210000.000 [rpm]	Factory setting 0.000 [rpm]

Description: Setting and connector output for fixed speed setpoint 3.
Dependency: Refer to: p1020, p1021, p1022, p1023, r1024
Notice: A BICO interconnection to a parameter that belongs to a drive data set always acts on the effective data set.

p1004[0...n] **CO: Fixed speed setpoint 4 / n_set_fixed 4**

Access level: 2	Calculated: -	Data type: FloatingPoint32
Can be changed: U, T	Scaling: p2000	Dyn. index: DDS, p0180
Units group: 3_1	Unit selection: p0505	Func. diagram: 3010
Min -210000.000 [rpm]	Max 210000.000 [rpm]	Factory setting 0.000 [rpm]

Description: Setting and connector output for fixed speed setpoint 4.
Dependency: Refer to: p1020, p1021, p1022, p1023, r1024
Notice: A BICO interconnection to a parameter that belongs to a drive data set always acts on the effective data set.

p1005[0...n] **CO: Fixed speed setpoint 5 / n_set_fixed 5**

Access level: 2	Calculated: -	Data type: FloatingPoint32
Can be changed: U, T	Scaling: p2000	Dyn. index: DDS, p0180
Units group: 3_1	Unit selection: p0505	Func. diagram: 3010
Min -210000.000 [rpm]	Max 210000.000 [rpm]	Factory setting 0.000 [rpm]

Description: Setting and connector output for fixed speed setpoint 5.
Dependency: Refer to: p1020, p1021, p1022, p1023, r1024
Notice: A BICO interconnection to a parameter that belongs to a drive data set always acts on the effective data set.

p1006[0...n] **CO: Fixed speed setpoint 6 / n_set_fixed 6**

Access level: 2	Calculated: -	Data type: FloatingPoint32
Can be changed: U, T	Scaling: p2000	Dyn. index: DDS, p0180
Units group: 3_1	Unit selection: p0505	Func. diagram: 3010
Min -210000.000 [rpm]	Max 210000.000 [rpm]	Factory setting 0.000 [rpm]

Description: Setting and connector output for fixed speed setpoint 6.
Dependency: Refer to: p1020, p1021, p1022, p1023, r1024
Notice: A BICO interconnection to a parameter that belongs to a drive data set always acts on the effective data set.

p1007[0...n]	CO: Fixed speed setpoint 7 / n_set_fixed 7		
	Access level: 2	Calculated: -	Data type: FloatingPoint32
	Can be changed: U, T	Scaling: p2000	Dyn. index: DDS, p0180
	Units group: 3_1	Unit selection: p0505	Func. diagram: 3010
	Min	Max	Factory setting
	-210000.000 [rpm]	210000.000 [rpm]	0.000 [rpm]
Description:	Setting and connector output for fixed speed setpoint 7.		
Dependency:	Refer to: p1020, p1021, p1022, p1023, r1024		
Notice:	A BICO interconnection to a parameter that belongs to a drive data set always acts on the effective data set.		
p1008[0...n]	CO: Fixed speed setpoint 8 / n_set_fixed 8		
	Access level: 2	Calculated: -	Data type: FloatingPoint32
	Can be changed: U, T	Scaling: p2000	Dyn. index: DDS, p0180
	Units group: 3_1	Unit selection: p0505	Func. diagram: 3010
	Min	Max	Factory setting
	-210000.000 [rpm]	210000.000 [rpm]	0.000 [rpm]
Description:	Setting and connector output for fixed speed setpoint 8.		
Dependency:	Refer to: p1020, p1021, p1022, p1023, r1024		
Notice:	A BICO interconnection to a parameter that belongs to a drive data set always acts on the effective data set.		
p1009[0...n]	CO: Fixed speed setpoint 9 / n_set_fixed 9		
	Access level: 2	Calculated: -	Data type: FloatingPoint32
	Can be changed: U, T	Scaling: p2000	Dyn. index: DDS, p0180
	Units group: 3_1	Unit selection: p0505	Func. diagram: 3010
	Min	Max	Factory setting
	-210000.000 [rpm]	210000.000 [rpm]	0.000 [rpm]
Description:	Setting and connector output for fixed speed setpoint 9.		
Dependency:	Refer to: p1020, p1021, p1022, p1023, r1024		
Notice:	A BICO interconnection to a parameter that belongs to a drive data set always acts on the effective data set.		
p1010[0...n]	CO: Fixed speed setpoint 10 / n_set_fixed 10		
	Access level: 2	Calculated: -	Data type: FloatingPoint32
	Can be changed: U, T	Scaling: p2000	Dyn. index: DDS, p0180
	Units group: 3_1	Unit selection: p0505	Func. diagram: 3010
	Min	Max	Factory setting
	-210000.000 [rpm]	210000.000 [rpm]	0.000 [rpm]
Description:	Setting and connector output for fixed speed setpoint 10.		
Dependency:	Refer to: p1020, p1021, p1022, p1023, r1024		
Notice:	A BICO interconnection to a parameter that belongs to a drive data set always acts on the effective data set.		
p1011[0...n]	CO: Fixed speed setpoint 11 / n_set_fixed 11		
	Access level: 2	Calculated: -	Data type: FloatingPoint32
	Can be changed: U, T	Scaling: p2000	Dyn. index: DDS, p0180
	Units group: 3_1	Unit selection: p0505	Func. diagram: 3010
	Min	Max	Factory setting
	-210000.000 [rpm]	210000.000 [rpm]	0.000 [rpm]
Description:	Setting and connector output for fixed speed setpoint 11.		
Dependency:	Refer to: p1020, p1021, p1022, p1023, r1024		
Notice:	A BICO interconnection to a parameter that belongs to a drive data set always acts on the effective data set.		

p1012[0...n]	CO: Fixed speed setpoint 12 / n_set_fixed 12		
	Access level: 2	Calculated: -	Data type: FloatingPoint32
	Can be changed: U, T	Scaling: p2000	Dyn. index: DDS, p0180
	Units group: 3_1	Unit selection: p0505	Func. diagram: 3010
	Min	Max	Factory setting
	-210000.000 [rpm]	210000.000 [rpm]	0.000 [rpm]
Description:	Setting and connector output for fixed speed setpoint 12.		
Dependency:	Refer to: p1020, p1021, p1022, p1023, r1024		
Notice:	A BICO interconnection to a parameter that belongs to a drive data set always acts on the effective data set.		
p1013[0...n]	CO: Fixed speed setpoint 13 / n_set_fixed 13		
	Access level: 2	Calculated: -	Data type: FloatingPoint32
	Can be changed: U, T	Scaling: p2000	Dyn. index: DDS, p0180
	Units group: 3_1	Unit selection: p0505	Func. diagram: 3010
	Min	Max	Factory setting
	-210000.000 [rpm]	210000.000 [rpm]	0.000 [rpm]
Description:	Setting and connector output for fixed speed setpoint 13.		
Dependency:	Refer to: p1020, p1021, p1022, p1023, r1024		
Notice:	A BICO interconnection to a parameter that belongs to a drive data set always acts on the effective data set.		
p1014[0...n]	CO: Fixed speed setpoint 14 / n_set_fixed 14		
	Access level: 2	Calculated: -	Data type: FloatingPoint32
	Can be changed: U, T	Scaling: p2000	Dyn. index: DDS, p0180
	Units group: 3_1	Unit selection: p0505	Func. diagram: 3010
	Min	Max	Factory setting
	-210000.000 [rpm]	210000.000 [rpm]	0.000 [rpm]
Description:	Setting and connector output for fixed speed setpoint 14.		
Dependency:	Refer to: p1020, p1021, p1022, p1023, r1024		
Notice:	A BICO interconnection to a parameter that belongs to a drive data set always acts on the effective data set.		
p1015[0...n]	CO: Fixed speed setpoint 15 / n_set_fixed 15		
	Access level: 2	Calculated: -	Data type: FloatingPoint32
	Can be changed: U, T	Scaling: p2000	Dyn. index: DDS, p0180
	Units group: 3_1	Unit selection: p0505	Func. diagram: 3010
	Min	Max	Factory setting
	-210000.000 [rpm]	210000.000 [rpm]	0.000 [rpm]
Description:	Setting and connector output for fixed speed setpoint 15.		
Dependency:	Refer to: p1020, p1021, p1022, p1023, r1024		
Notice:	A BICO interconnection to a parameter that belongs to a drive data set always acts on the effective data set.		
p1016	Fixed speed setpoint select mode / n_set_fix select		
	Access level: 2	Calculated: -	Data type: Integer16
	Can be changed: T	Scaling: -	Dyn. index: -
	Units group: -	Unit selection: -	Func. diagram: 3010, 3011
	Min	Max	Factory setting
	1	2	1
Description:	Sets the mode to select the fixed speed setpoint.		
Value:	1: Direct 2: Binary		
Note:	Re p1016 = 1: In this mode, the setpoint is entered via the fixed speed setpoints p1001 ... p1004. Up to 16 different setpoints are obtained by adding the individual fixed speed setpoints.		

Re p1016 = 2:

In this mode, the setpoint is entered via the fixed speed setpoints p1001 ... p1015.

p1020[0...n]	BI: Fixed speed setpoint selection Bit 0 / n_set_fixed Bit 0		
	Access level: 3	Calculated: -	Data type: U32 / Binary
	Can be changed: T	Scaling: -	Dyn. index: CDS, p0170
	Units group: -	Unit selection: -	Func. diagram: 2505, 3010, 3011
	Min	Max	Factory setting
	-	-	0
Description:	Sets the signal source for selecting the fixed speed setpoint.		
Dependency:	Selects the required fixed speed setpoint using p1020 ... p1023. Sets the values for the fixed speed setpoints 1 ... 15 using p1001 ... p1015. Refer to: p1021, p1022, p1023		
Note:	If a fixed speed setpoint has not been selected (p1020 ... p1023 = 0), then r1024 = 0 (setpoint = 0).		
p1021[0...n]	BI: Fixed speed setpoint selection Bit 1 / n_set_fixed Bit 1		
	Access level: 3	Calculated: -	Data type: U32 / Binary
	Can be changed: T	Scaling: -	Dyn. index: CDS, p0170
	Units group: -	Unit selection: -	Func. diagram: 2505, 3010, 3011
	Min	Max	Factory setting
	-	-	0
Description:	Sets the signal source for selecting the fixed speed setpoint.		
Dependency:	Selects the required fixed speed setpoint using p1020 ... p1023. Sets the values for the fixed speed setpoints 1 ... 15 using p1001 ... p1015. Refer to: p1020, p1022, p1023		
Note:	If a fixed speed setpoint has not been selected (p1020 ... p1023 = 0), then r1024 = 0 (setpoint = 0).		
p1022[0...n]	BI: Fixed speed setpoint selection Bit 2 / n_set_fixed Bit 2		
	Access level: 3	Calculated: -	Data type: U32 / Binary
	Can be changed: T	Scaling: -	Dyn. index: CDS, p0170
	Units group: -	Unit selection: -	Func. diagram: 2505, 3010, 3011
	Min	Max	Factory setting
	-	-	0
Description:	Sets the signal source for selecting the fixed speed setpoint.		
Dependency:	Selects the required fixed speed setpoint using p1020 ... p1023. Sets the values for the fixed speed setpoints 1 ... 15 using p1001 ... p1015. Refer to: p1020, p1021, p1023		
Note:	If a fixed speed setpoint has not been selected (p1020 ... p1023 = 0), then r1024 = 0 (setpoint = 0).		
p1023[0...n]	BI: Fixed speed setpoint selection Bit 3 / n_set_fixed Bit 3		
	Access level: 3	Calculated: -	Data type: U32 / Binary
	Can be changed: T	Scaling: -	Dyn. index: CDS, p0170
	Units group: -	Unit selection: -	Func. diagram: 2505, 3010, 3011
	Min	Max	Factory setting
	-	-	0
Description:	Sets the signal source for selecting the fixed speed setpoint.		
Dependency:	Selects the required fixed speed setpoint using p1020 ... p1023. Sets the values for the fixed speed setpoints 1 ... 15 using p1001 ... p1015. Refer to: p1020, p1021, p1022		
Note:	If a fixed speed setpoint has not been selected (p1020 ... p1023 = 0), then r1024 = 0 (setpoint = 0).		

r1024 **CO: Fixed speed setpoint effective / n_set_fixed eff**

Access level: 3	Calculated: -	Data type: FloatingPoint32
Can be changed: -	Scaling: p2000	Dyn. index: -
Units group: 3_1	Unit selection: p0505	Func. diagram: 3001, 3010, 3011
Min	Max	Factory setting
- [rpm]	- [rpm]	- [rpm]

Description: Display and connector output for the selected and active fixed speed setpoint.
This setpoint is the output value for the fixed speed setpoints and must be appropriately interconnected (e.g. with the main setpoint).

Recommend.: Interconnect the signal with the main setpoint (CI: p1070 = r1024).

Dependency: Selects the required fixed speed setpoint using p1020 ... p1023.
Sets the values for the fixed speed setpoints 1 ... 15 using p1001 ... p1015.
Refer to: p1070

Note: If a fixed speed setpoint has not been selected (p1020 ... p1023 = 0), then r1024 = 0 (setpoint = 0).

r1025.0 **BO: Fixed speed setpoint status / n_setp_fix status**

Access level: 3	Calculated: -	Data type: Unsigned8
Can be changed: -	Scaling: -	Dyn. index: -
Units group: -	Unit selection: -	Func. diagram: -
Min	Max	Factory setting
-	-	-

Description: Display and binector output for the status when selecting the fixed speed setpoints.

Bit field:

Bit	Signal name	1 signal	0 signal	FP
00	Fixed speed setpoint selected	Yes	No	3011

Dependency: Refer to: p1016

Note: Re bit 00:
When the fixed speed setpoints are directly selected (p1016 = 1), this bit is set if at least 1 fixed speed setpoint is selected.

p1030[0...n] **Motorized potentiometer configuration / Mop configuration**

Access level: 3	Calculated: -	Data type: Unsigned16
Can be changed: U, T	Scaling: -	Dyn. index: DDS, p0180
Units group: -	Unit selection: -	Func. diagram: 3020
Min	Max	Factory setting
-	-	0000 0110 bin

Description: Sets the configuration for the motorized potentiometer.

Bit field:

Bit	Signal name	1 signal	0 signal	FP
00	Data save active	Yes	No	-
01	Automatic mode ramp-function generator active	Yes	No	-
02	Initial rounding-off active	Yes	No	-
03	Save in NVRAM active	Yes	No	-
04	Ramp-function generator always active	Yes	No	-

Notice: For p0014 = 1, the following applies:
After the value has been modified, no further parameter modifications can be made and the status is shown in r3996. Modifications can be made again when r3996 = 0.

Note: Re bit 00:
0: The setpoint for the motorized potentiometer is not saved and after ON is entered using p1040.
1: The setpoint for the motorized potentiometer is saved after OFF and after ON set to the saved value. In order to save in a non-volatile fashion, bit 03 should be set to 1.
Re bit 01:
0: Without ramp-function generator in the automatic mode (ramp-up/ramp-down time = 0).
1: With ramp-function generator in the automatic mode.
For manual operation, the ramp-function generator is always active.

Re bit 02:

0: Without initial rounding-off

1: With initial rounding-off. The selected ramp-up/down time is correspondingly exceeded. The initial rounding-off is a sensitive way of specifying small changes (progressive reaction when keys are pressed).

The jerk for the initial rounding-off is independent of the ramp-up time and only depends on the selected maximum speed (p1082). It is calculated as follows:

$$r = 0.01 \% * p1082 [1/s] / 0.13^2 [s^2]$$

The jerk acts up until the maximum acceleration is reached ($a_{max} = p1082 [1/s] / p1047 [s]$), and then the drive continues to run linearly with a constant rate of acceleration. The higher the maximum acceleration (the lower that p1047 is), the longer the ramp-up time increases with respect to the set ramp-up time.

Re bit 03:

0: Non-volatile data save de-activated.

1: The setpoint for the motorized potentiometer is saved in a non-volatile fashion (for bit 00 = 1).

Re bit 04:

When the bit is set, the ramp-function generator is computed independent of the pulse enable. The actual output value of the motorized potentiometer is always in r1050.

p1035[0...n]	BI: Motorized potentiometer setpoint raise / Mop raise		
G120C_CAN	Access level: 3	Calculated: -	Data type: U32 / Binary
G120C_USS	Can be changed: T	Scaling: -	Dyn. index: CDS, p0170
	Units group: -	Unit selection: -	Func. diagram: 2505, 3020
	Min	Max	Factory setting
	-	-	0
Description:	Sets the signal source to continually increase the setpoint for the motorized potentiometer. The setpoint change (CO: r1050) depends on the set ramp-up time (p1047) and the duration of the signal that is present (BI: p1035).		
Dependency:	Refer to: p1036		
Notice:	The parameter may be protected as a result of p0922 or p2079 and cannot be changed.		

p1035[0...n]	BI: Motorized potentiometer setpoint raise / Mop raise		
G120C_DP	Access level: 3	Calculated: -	Data type: U32 / Binary
G120C_PN	Can be changed: T	Scaling: -	Dyn. index: CDS, p0170
	Units group: -	Unit selection: -	Func. diagram: 2505, 3020
	Min	Max	Factory setting
	-	-	[0] 2090.13 [1] 0
Description:	Sets the signal source to continually increase the setpoint for the motorized potentiometer. The setpoint change (CO: r1050) depends on the set ramp-up time (p1047) and the duration of the signal that is present (BI: p1035).		
Dependency:	Refer to: p1036		
Notice:	The parameter may be protected as a result of p0922 or p2079 and cannot be changed.		

p1036[0...n]	BI: Motorized potentiometer lower setpoint / Mop lower		
G120C_CAN	Access level: 3	Calculated: -	Data type: U32 / Binary
G120C_USS	Can be changed: T	Scaling: -	Dyn. index: CDS, p0170
	Units group: -	Unit selection: -	Func. diagram: 2505, 3020
	Min	Max	Factory setting
	-	-	0
Description:	Sets the signal source to continuously lower the setpoint for the motorized potentiometer. The setpoint change (CO: r1050) depends on the set ramp-down time (p1048) and the duration of the signal that is present (BI: p1036).		
Dependency:	Refer to: p1035		
Notice:	The parameter may be protected as a result of p0922 or p2079 and cannot be changed.		

2 Parameters

2.2 List of parameters

p1036[0...n]	BI: Motorized potentiometer lower setpoint / Mop lower		
G120C_DP	Access level: 3	Calculated: -	Data type: U32 / Binary
G120C_PN	Can be changed: T	Scaling: -	Dyn. index: CDS, p0170
	Units group: -	Unit selection: -	Func. diagram: 2505, 3020
	Min	Max	Factory setting
	-	-	[0] 2090.14 [1] 0
Description:	Sets the signal source to continuously lower the setpoint for the motorized potentiometer. The setpoint change (CO: r1050) depends on the set ramp-down time (p1048) and the duration of the signal that is present (BI: p1036).		
Dependency:	Refer to: p1035		
Notice:	The parameter may be protected as a result of p0922 or p2079 and cannot be changed.		
p1037[0...n]	Motorized potentiometer maximum speed / MotP n_max		
	Access level: 3	Calculated: p0340 = 1,3,5	Data type: FloatingPoint32
	Can be changed: U, T	Scaling: -	Dyn. index: DDS, p0180
	Units group: 3_1	Unit selection: p0505	Func. diagram: 3020
	Min	Max	Factory setting
	-210000.000 [rpm]	210000.000 [rpm]	0.000 [rpm]
Description:	Sets the maximum speed/velocity for the motorized potentiometer.		
Note:	This parameter is automatically pre-assigned in the commissioning phase. The setpoint output from the motorized potentiometer is limited to this value (see function diagram 3020).		
p1038[0...n]	Motorized potentiometer minimum speed / MotP n_min		
	Access level: 3	Calculated: p0340 = 1,3,5	Data type: FloatingPoint32
	Can be changed: U, T	Scaling: -	Dyn. index: DDS, p0180
	Units group: 3_1	Unit selection: p0505	Func. diagram: 3020
	Min	Max	Factory setting
	-210000.000 [rpm]	210000.000 [rpm]	0.000 [rpm]
Description:	Sets the minimum speed/velocity for the motorized potentiometer.		
Note:	This parameter is automatically pre-assigned in the commissioning phase. The setpoint output from the motorized potentiometer is limited to this value (see function diagram 3020).		
p1040[0...n]	Motorized potentiometer starting value / Mop start value		
	Access level: 2	Calculated: -	Data type: FloatingPoint32
	Can be changed: U, T	Scaling: -	Dyn. index: DDS, p0180
	Units group: 3_1	Unit selection: p0505	Func. diagram: 3020
	Min	Max	Factory setting
	-210000.000 [rpm]	210000.000 [rpm]	0.000 [rpm]
Description:	Sets the starting value for the motorized potentiometer. This starting value becomes effective after the drive has been powered up.		
Dependency:	Only effective if p1030.0 = 0. Refer to: p1030		
p1043[0...n]	BI: Motorized potentiometer accept setting value / MotP acc set val		
	Access level: 3	Calculated: -	Data type: U32 / Binary
	Can be changed: T	Scaling: -	Dyn. index: CDS, p0170
	Units group: -	Unit selection: -	Func. diagram: 3020
	Min	Max	Factory setting
	-	-	0
Description:	Sets the signal source to accept the setting value for the motorized potentiometer.		
Dependency:	Refer to: p1044		

Note: The setting value (CI: p1044) becomes effective for a 0/1 edge of the setting command (BI: p1043).

p1044[0...n]	CI: Motorized potentiometer setting value / Mop set val		
Access level: 3	Calculated: -	Data type: U32 / FloatingPoint32	
Can be changed: T	Scaling: p2000	Dyn. index: CDS, p0170	
Units group: -	Unit selection: -	Func. diagram: 3020	
Min	Max	Factory setting	
-	-	0	

Description: Sets the signal source for the setting value for the motorized potentiometer.

Dependency: Refer to: p1043

Note: The setting value (CI: p1044) becomes effective for a 0/1 edge of the setting command (BI: p1043).

r1045	CO: Mot. potentiometer speed setp. in front of ramp-fct. gen. / Mop n_set bef RFG		
Access level: 3	Calculated: -	Data type: FloatingPoint32	
Can be changed: -	Scaling: p2000	Dyn. index: -	
Units group: 3_1	Unit selection: p0505	Func. diagram: 3020	
Min	Max	Factory setting	
- [rpm]	- [rpm]	- [rpm]	

Description: Sets the effective setpoint in front of the internal motorized potentiometer ramp-function generator.

p1047[0...n]	Motorized potentiometer ramp-up time / Mop ramp-up time		
Access level: 2	Calculated: -	Data type: FloatingPoint32	
Can be changed: U, T	Scaling: -	Dyn. index: DDS, p0180	
Units group: -	Unit selection: -	Func. diagram: 3020	
Min	Max	Factory setting	
0.000 [s]	1000.000 [s]	10.000 [s]	

Description: Sets the ramp-up time for the internal ramp-function generator for the motorized potentiometer.

The setpoint is changed from zero up to the speed/velocity limit (p1082) within this time (if no initial rounding-off has been activated).

Dependency: Refer to: p1030, p1048, p1082

Note: When the initial rounding-off is activated (p1030.2) the ramp-up time is correspondingly extended.

p1048[0...n]	Motorized potentiometer ramp-down time / Mop ramp-down time		
Access level: 2	Calculated: -	Data type: FloatingPoint32	
Can be changed: U, T	Scaling: -	Dyn. index: DDS, p0180	
Units group: -	Unit selection: -	Func. diagram: 3020	
Min	Max	Factory setting	
0.000 [s]	1000.000 [s]	10.000 [s]	

Description: Sets the ramp-down time for the internal ramp-function generator for the motorized potentiometer.

The setpoint is changed from the speed/velocity limit (p1082) to zero within this time (if no initial rounding-off has been activated).

Dependency: Refer to: p1030, p1047, p1082

Note: The deceleration time is extended corresponding to the activated initial rounding-off (p1030.2).

r1050	CO: Motor. potentiometer setpoint after the ramp-function generator / Mop setp after RFG		
	Access level: 2	Calculated: -	Data type: FloatingPoint32
	Can be changed: -	Scaling: p2000	Dyn. index: -
	Units group: 3_1	Unit selection: p0505	Func. diagram: 3001, 3020
	Min	Max	Factory setting
	- [rpm]	- [rpm]	- [rpm]
Description:	Sets the effective setpoint after the internal motorized potentiometer ramp-function generator. This setpoint is the output value of the motorized potentiometer and must be appropriately interconnected onwards (e.g. with the main setpoint).		
Recommend.:	Interconnect the signal with main setpoint (p1070).		
Dependency:	Refer to: p1070		
Note:	For "With ramp-function generator", after an OFF1, OFF2, OFF3 or for a 0 signal via BI: p0852 (inhibit operation, suppress pulses) the ramp-function generator output (r1050) is set to the starting value (configuration via p1030.0).		
p1055[0...n]	BI: Jog bit 0 / Jog bit 0		
G120C_CAN	Access level: 3	Calculated: -	Data type: U32 / Binary
G120C_USS	Can be changed: T	Scaling: -	Dyn. index: CDS, p0170
	Units group: -	Unit selection: -	Func. diagram: 2501, 3030
	Min	Max	Factory setting
	-	-	0
Description:	Sets the signal source for jog 1.		
Recommend.:	When the setting for this binector input is changed, the motor can only be switched on by means of an appropriate signal change of the source.		
Dependency:	Refer to: p0840, p1058		
Notice:	The drive is enabled for jogging using BI: p1055 or BI: p1056. The command "ON/OFF1" can be issued using BI: p0840 or using BI: p1055/p1056. Only the signal source that was used to power up can also be used to power down again.		
p1055[0...n]	BI: Jog bit 0 / Jog bit 0		
G120C_DP	Access level: 3	Calculated: -	Data type: U32 / Binary
G120C_PN	Can be changed: T	Scaling: -	Dyn. index: CDS, p0170
	Units group: -	Unit selection: -	Func. diagram: 2501, 3030
	Min	Max	Factory setting
	-	-	[0] 0 [1] 722.0
Description:	Sets the signal source for jog 1.		
Recommend.:	When the setting for this binector input is changed, the motor can only be switched on by means of an appropriate signal change of the source.		
Dependency:	Refer to: p0840, p1058		
Notice:	The drive is enabled for jogging using BI: p1055 or BI: p1056. The command "ON/OFF1" can be issued using BI: p0840 or using BI: p1055/p1056. Only the signal source that was used to power up can also be used to power down again.		
p1056[0...n]	BI: Jog bit 1 / Jog bit 1		
G120C_CAN	Access level: 3	Calculated: -	Data type: U32 / Binary
G120C_USS	Can be changed: T	Scaling: -	Dyn. index: CDS, p0170
	Units group: -	Unit selection: -	Func. diagram: 2501, 3030
	Min	Max	Factory setting
	-	-	0
Description:	Sets the signal source for jog 2.		
Recommend.:	When the setting for this binector input is changed, the motor can only be switched on by means of an appropriate signal change of the source.		

Dependency: Refer to: p0840, p1059
Notice: The drive is enabled for jogging using BI: p1055 or BI: p1056.
 The command "ON/OFF1" can be issued using BI: p0840 or using BI: p1055/p1056.
 Only the signal source that was used to power up can also be used to power down again.

p1056[0...n]	BI: Jog bit 1 / Jog bit 1		
G120C_DP	Access level: 3	Calculated: -	Data type: U32 / Binary
G120C_PN	Can be changed: T	Scaling: -	Dyn. index: CDS, p0170
	Units group: -	Unit selection: -	Func. diagram: 2501, 3030
	Min	Max	Factory setting
	-	-	[0] 0
			[1] 722.1

Description: Sets the signal source for jog 2.
Recommend.: When the setting for this binector input is changed, the motor can only be switched on by means of an appropriate signal change of the source.
Dependency: Refer to: p0840, p1059
Notice: The drive is enabled for jogging using BI: p1055 or BI: p1056.
 The command "ON/OFF1" can be issued using BI: p0840 or using BI: p1055/p1056.
 Only the signal source that was used to power up can also be used to power down again.

p1058[0...n]	Jog 1 speed setpoint / Jog 1 n_set		
	Access level: 2	Calculated: -	Data type: FloatingPoint32
	Can be changed: T	Scaling: -	Dyn. index: DDS, p0180
	Units group: 3_1	Unit selection: p0505	Func. diagram: 3001, 3030
	Min	Max	Factory setting
	-210000.000 [rpm]	210000.000 [rpm]	150.000 [rpm]

Description: Sets the speed for jog 1.
 Jogging (JOG) is level-triggered, and allows the motor to be incrementally traversed.
Dependency: Refer to: p1055, p1056

p1059[0...n]	Jog 2 speed setpoint / Jog 2 n_set		
	Access level: 2	Calculated: -	Data type: FloatingPoint32
	Can be changed: T	Scaling: -	Dyn. index: DDS, p0180
	Units group: 3_1	Unit selection: p0505	Func. diagram: 3001, 3030
	Min	Max	Factory setting
	-210000.000 [rpm]	210000.000 [rpm]	-150.000 [rpm]

Description: Sets the speed for jog 2.
 Jogging (JOG) is level-triggered, and allows the motor to be incrementally traversed.
Dependency: Refer to: p1055, p1056

p1070[0...n]	CI: Main setpoint / Main setpoint		
G120C_CAN	Access level: 3	Calculated: -	Data type: U32 / FloatingPoint32
G120C_USS	Can be changed: T	Scaling: p2000	Dyn. index: CDS, p0170
	Units group: -	Unit selection: -	Func. diagram: 3001, 3030
	Min	Max	Factory setting
	-	-	[0] 755[0]
			[1] 0

Description: Sets the signal source for the main setpoint.
 Examples:
 r1024: Fixed speed setpoint effective
 r1050: Motor. potentiometer setpoint after the ramp-function generator
Dependency: Refer to: p1071, r1073, r1078
Notice: The parameter may be protected as a result of p0922 or p2079 and cannot be changed.

p1070[0...n]	CI: Main setpoint / Main setpoint		
G120C_DP	Access level: 3	Calculated: -	Data type: U32 / FloatingPoint32
G120C_PN	Can be changed: T	Scaling: p2000	Dyn. index: CDS, p0170
	Units group: -	Unit selection: -	Func. diagram: 3001, 3030
	Min	Max	Factory setting
	-	-	[0] 2050[1] [1] 0

Description: Sets the signal source for the main setpoint.
 Examples:
 r1024: Fixed speed setpoint effective
 r1050: Motor. potentiometer setpoint after the ramp-function generator

Dependency: Refer to: p1071, r1073, r1078

Notice: The parameter may be protected as a result of p0922 or p2079 and cannot be changed.

p1071[0...n]	CI: Main setpoint scaling / Main setp scal		
	Access level: 3	Calculated: -	Data type: U32 / FloatingPoint32
	Can be changed: T	Scaling: PERCENT	Dyn. index: CDS, p0170
	Units group: -	Unit selection: -	Func. diagram: 3001, 3030
	Min	Max	Factory setting
	-	-	1

Description: Sets the signal source for scaling the main setpoint.

r1073	CO: Main setpoint effective / Main setpoint eff		
	Access level: 3	Calculated: -	Data type: FloatingPoint32
	Can be changed: -	Scaling: p2000	Dyn. index: -
	Units group: 3_1	Unit selection: p0505	Func. diagram: 3030
	Min	Max	Factory setting
	- [rpm]	- [rpm]	- [rpm]

Description: Displays the effective main setpoint.
 The value shown is the main setpoint after scaling.

p1075[0...n]	CI: Supplementary setpoint / Suppl setp		
	Access level: 3	Calculated: -	Data type: U32 / FloatingPoint32
	Can be changed: T	Scaling: p2000	Dyn. index: CDS, p0170
	Units group: -	Unit selection: -	Func. diagram: 3001, 3030
	Min	Max	Factory setting
	-	-	0

Description: Sets the signal source for the supplementary setpoint.

Dependency: Refer to: p1076, r1077, r1078

p1076[0...n]	CI: Supplementary setpoint scaling / Suppl setp scal		
	Access level: 3	Calculated: -	Data type: U32 / FloatingPoint32
	Can be changed: T	Scaling: PERCENT	Dyn. index: CDS, p0170
	Units group: -	Unit selection: -	Func. diagram: 3001, 3030
	Min	Max	Factory setting
	-	-	1

Description: Sets the signal source for scaling the supplementary setpoint.

r1077	CO: Supplementary setpoint effective / Suppl setpoint eff		
	Access level: 3	Calculated: -	Data type: FloatingPoint32
	Can be changed: -	Scaling: p2000	Dyn. index: -
	Units group: 3_1	Unit selection: p0505	Func. diagram: 3030
	Min	Max	Factory setting
	- [rpm]	- [rpm]	- [rpm]
Description:	Displays the effective supplementary setpoint. The value shown is the additional setpoint after scaling.		
r1078	CO: Total setpoint effective / Total setpoint eff		
	Access level: 3	Calculated: -	Data type: FloatingPoint32
	Can be changed: -	Scaling: p2000	Dyn. index: -
	Units group: 3_1	Unit selection: p0505	Func. diagram: 3030
	Min	Max	Factory setting
	- [rpm]	- [rpm]	- [rpm]
Description:	Displays the total effective setpoint. The value indicates the sum of the effective main setpoint and supplementary setpoint.		
p1080[0...n]	Minimum speed / n_min		
	Access level: 1	Calculated: -	Data type: FloatingPoint32
	Can be changed: C(1), T	Scaling: -	Dyn. index: DDS, p0180
	Units group: 3_1	Unit selection: p0505	Func. diagram: 3050, 8020
	Min	Max	Factory setting
	0.000 [rpm]	19500.000 [rpm]	0.000 [rpm]
Description:	Sets the lowest possible motor speed. This value is not undershot in operation.		
Dependency:	Refer to: p1106		
Notice:	The effective minimum speed is formed from p1080 and p1106.		
Note:	The parameter value applies for both motor directions. In exceptional cases, the motor can operate below this value (e.g. when reversing).		
p1081	Maximum speed scaling / n_max scal		
	Access level: 2	Calculated: -	Data type: FloatingPoint32
	Can be changed: U, T	Scaling: PERCENT	Dyn. index: -
	Units group: -	Unit selection: -	Func. diagram: 3050, 3095
	Min	Max	Factory setting
	100.00 [%]	105.00 [%]	100.00 [%]
Description:	Sets the scaling for the maximum speed (p1082). For a higher-level speed control, this scaling allows the maximum speed to be briefly exceeded.		
Dependency:	Refer to: p1082		
Notice:	Continuous operation above a scaling of 100 % is not permitted.		
p1082[0...n]	Maximum speed / n_max		
	Access level: 1	Calculated: p0340 = 1	Data type: FloatingPoint32
	Can be changed: C(1), T	Scaling: -	Dyn. index: DDS, p0180
	Units group: 3_1	Unit selection: p0505	Func. diagram: 3020, 3050, 3070
	Min	Max	Factory setting
	0.000 [rpm]	210000.000 [rpm]	1500.000 [rpm]
Description:	Sets the highest possible speed. Example: Induction motor p0310 = 50 / 60 Hz without output filter and Blocksize power unit p1082 <= 60 x 240 Hz / r0313 (vector control) p1082 <= 60 x 550 Hz / r0313 (U/f control)		

2 Parameters

2.2 List of parameters

Dependency: For vector control, the maximum speed is restricted to $60.0 / (8.333 \times 500 \mu\text{s} \times r0313)$. This can be identified by a reduction in r1084. p1082 is not changed in this process due to the fact that the operating mode p1300 can be changed over.

If a sine-wave filter (p0230 = 3) is parameterized as output filter, then the maximum speed is limited corresponding to the maximum permissible filter output frequency (refer to the filter data sheet). When using sine-wave filters (p0230 = 3, 4), the maximum speed r1084 is limited to 70% of the resonant frequency of the filter capacitance and the motor leakage inductance.

For reactors and dU/dt filters, it is limited to 120 Hz / r0313.

Refer to: p0230, p0322

Notice: After the value has been modified, no further parameter modifications can be made and the status is shown in r3996. Modifications can be made again when r3996 = 0.

Note: The parameter applies for both motor directions.

The parameter has a limiting effect and is the reference quantity for all ramp-up and ramp-down times (e.g. down ramps, ramp-function generator, motor potentiometer).

The parameter is part of the quick commissioning (p0010 = 1); this means that it is appropriately pre-assigned when changing p0310, p0311 and p0322.

The following limits are always effective for p1082:

$p1082 \leq 60 \times \text{minimum} (15 \times r0310, 550 \text{ Hz}) / \text{pole pair number}$

$p1082 \leq 60 \times \text{maximum power unit pulse frequency} / (k \times \text{pole pair number})$, with k = 12 (vector control), k = 6.5 (U/f control)

If a sine-wave filter (p0230 = 3) is parameterized as output filter, then the maximum speed is limited corresponding to the maximum permissible filter output frequency (refer to the filter data sheet). For reactors and dU/dt filters, it is limited to 120 Hz / pole pair number.

During automatic calculation (p0340 = 1, p3900 > 0), the parameter value is assigned the maximum motor speed (p0322). For p0322 = 0 the rated motor speed (p0311) is used as default (pre-assignment) value. For induction motors, the synchronous no-load speed is used as the default value (p0310 x 60 / pole pair number).

For synchronous motors, the following additionally applies:

During automatic calculation (p0340, p3900), p1082 is limited to speeds where the EMF does not exceed the DC link voltage.

p1082 is also available in the quick commissioning (p0010 = 1); this means that when exiting via p3900 > 0, the value is not changed.

For vector control, the maximum speed is restricted to $60.0 / (8.333 \times 500 \mu\text{s} \times \text{pole pair number})$. This can be identified by a reduction in r1084. p1082 is not changed in this process due to the fact that the operating mode p1300 can be changed over.

When using sine-wave filters (p0230 = 3, 4), the maximum speed r1084 is limited to 70% of the resonant frequency of the filter capacitance and the motor leakage inductance.

p1083[0...n]	CO: Speed limit in positive direction of rotation / n_limit pos		
Access level: 3	Calculated: -	Data type: FloatingPoint32	
Can be changed: U, T	Scaling: p2000	Dyn. index: DDS, p0180	
Units group: 3_1	Unit selection: p0505	Func. diagram: 3050	
Min	Max	Factory setting	
0.000 [rpm]	210000.000 [rpm]	210000.000 [rpm]	
Description:	Sets the maximum speed for the positive direction.		
Notice:	A BICO interconnection to a parameter that belongs to a drive data set always acts on the effective data set.		
r1084	CO: Speed limit positive effective / n_limit pos eff		
Access level: 3	Calculated: -	Data type: FloatingPoint32	
Can be changed: -	Scaling: p2000	Dyn. index: -	
Units group: 3_1	Unit selection: p0505	Func. diagram: 3050, 7958	
Min	Max	Factory setting	
- [rpm]	- [rpm]	- [rpm]	
Description:	Display and connector output for the active positive speed limit.		
Dependency:	Refer to: p1082, p1083		

p1086[0...n]	CO: Speed limit in negative direction of rotation / n_limit neg		
	Access level: 3	Calculated: -	Data type: FloatingPoint32
	Can be changed: U, T	Scaling: p2000	Dyn. index: DDS, p0180
	Units group: 3_1	Unit selection: p0505	Func. diagram: 3050
	Min -210000.000 [rpm]	Max 0.000 [rpm]	Factory setting -210000.000 [rpm]
Description:	Sets the speed limit for the negative direction.		
Notice:	A BICO interconnection to a parameter that belongs to a drive data set always acts on the effective data set.		
r1087	CO: Speed limit negative effective / n_limit neg eff		
	Access level: 3	Calculated: -	Data type: FloatingPoint32
	Can be changed: -	Scaling: p2000	Dyn. index: -
	Units group: 3_1	Unit selection: p0505	Func. diagram: 3050, 7958
	Min - [rpm]	Max - [rpm]	Factory setting - [rpm]
Description:	Display and connector output for the active negative speed limit.		
Dependency:	Refer to: p1082, p1086		
p1091[0...n]	Skip speed 1 / n_skip 1		
	Access level: 3	Calculated: -	Data type: FloatingPoint32
	Can be changed: U, T	Scaling: p2000	Dyn. index: DDS, p0180
	Units group: 3_1	Unit selection: p0505	Func. diagram: 3050
	Min 0.000 [rpm]	Max 210000.000 [rpm]	Factory setting 0.000 [rpm]
Description:	Sets skip speed 1.		
Dependency:	Refer to: p1092, p1101		
Notice:	Skip bandwidths can also become ineffective as a result of the downstream limits in the setpoint channel.		
Note:	The skip (suppression) speeds can be used to prevent the effects of mechanical resonance.		
p1092[0...n]	Skip speed 2 / n_skip 2		
	Access level: 3	Calculated: -	Data type: FloatingPoint32
	Can be changed: U, T	Scaling: p2000	Dyn. index: DDS, p0180
	Units group: 3_1	Unit selection: p0505	Func. diagram: 3050
	Min 0.000 [rpm]	Max 210000.000 [rpm]	Factory setting 0.000 [rpm]
Description:	Sets skip speed 2.		
Dependency:	Refer to: p1091, p1101		
Notice:	Skip bandwidths can also become ineffective as a result of the downstream limits in the setpoint channel.		
p1101[0...n]	Skip speed bandwidth / n_skip bandwidth		
	Access level: 3	Calculated: -	Data type: FloatingPoint32
	Can be changed: U, T	Scaling: p2000	Dyn. index: DDS, p0180
	Units group: 3_1	Unit selection: p0505	Func. diagram: 3050
	Min 0.000 [rpm]	Max 210000.000 [rpm]	Factory setting 0.000 [rpm]
Description:	Sets the bandwidth for the skip speeds/velocities 1 to 4.		
Dependency:	Refer to: p1091, p1092		
Note:	The setpoint (reference) speeds are skipped (suppressed) in the range of the skip speed +/-p1101. Steady-state operation is not possible in the skipped (suppressed) speed range. The skip (suppression) range is skipped.		

2 Parameters

2.2 List of parameters

Example:

p1091 = 600 and p1101 = 20

--> setpoint speeds between 580 and 620 [rpm] are skipped.

For the skip bandwidths, the following hysteresis behavior applies:

For a setpoint speed coming from below, the following applies:

r1170 < 580 [rpm] and 580 [rpm] <= r1114 <= 620 [rpm] --> r1119 = 580 [rpm]

For a setpoint speed coming from above, the following applies:



r1170 > 620 [rpm] and 580 [rpm] <= r1114 <= 620 [rpm] --> r1119 = 620 [rpm]

p1106[0...n]	CI: Minimum speed signal source / n_min s_src		
	Access level: 3	Calculated: -	Data type: U32 / FloatingPoint32
	Can be changed: T	Scaling: p2000	Dyn. index: CDS, p0170
	Units group: -	Unit selection: -	Func. diagram: 3050
	Min	Max	Factory setting
	-	-	0
Description:	Sets the signal source for lowest possible motor speed.		
Dependency:	Refer to: p1080		
Notice:	The effective minimum speed is formed from p1080 and p1106.		

p1110[0...n]	BI: Inhibit negative direction / Inhib neg dir		
	Access level: 3	Calculated: -	Data type: U32 / Binary
	Can be changed: T	Scaling: -	Dyn. index: CDS, p0170
	Units group: -	Unit selection: -	Func. diagram: 2505, 3040
	Min	Max	Factory setting
	-	-	0
Description:	Sets the signal source to disable the negative direction.		
Dependency:	Refer to: p1111		

p1111[0...n]	BI: Inhibit positive direction / Inhib pos dir		
	Access level: 3	Calculated: -	Data type: U32 / Binary
	Can be changed: T	Scaling: -	Dyn. index: CDS, p0170
	Units group: -	Unit selection: -	Func. diagram: 2505, 3040
	Min	Max	Factory setting
	-	-	0
Description:	Sets the signal source to disable the positive direction.		
Dependency:	Refer to: p1110		

r1112	CO: Speed setpoint after minimum limiting / n_set aft min_lim		
	Access level: 4	Calculated: -	Data type: FloatingPoint32
	Can be changed: -	Scaling: p2000	Dyn. index: -
	Units group: 3_1	Unit selection: p0505	Func. diagram: 3050
	Min	Max	Factory setting
	- [rpm]	- [rpm]	- [rpm]
Description:	Displays the speed setpoint after the minimum limiting.		
Dependency:	Refer to: p1091, p1092, p1101		

p1113[0...n]	BI: Setpoint inversion / Setp inv		
G120C_CAN	Access level: 3	Calculated: -	Data type: U32 / Binary
G120C_USS	Can be changed: T	Scaling: -	Dyn. index: CDS, p0170
	Units group: -	Unit selection: -	Func. diagram: 2441, 2442, 2505, 3040
	Min	Max	Factory setting
	-	-	[0] 722.1 [1] 0
Description:	Sets the signal source to invert the setpoint.		
Dependency:	Refer to: r1198		
Caution:	If the technology controller is being used as the speed main setpoint (p2251 = 0), do not invert the setpoint using p1113 when the technology controller is enabled because this can cause the speed to change suddenly and lead to positive couplings in the control loop.		
			
Notice:	The parameter may be protected as a result of p0922 or p2079 and cannot be changed.		
p1113[0...n]	BI: Setpoint inversion / Setp inv		
G120C_DP	Access level: 3	Calculated: -	Data type: U32 / Binary
G120C_PN	Can be changed: T	Scaling: -	Dyn. index: CDS, p0170
	Units group: -	Unit selection: -	Func. diagram: 2441, 2442, 2505, 3040
	Min	Max	Factory setting
	-	-	[0] 2090.11 [1] 0
Description:	Sets the signal source to invert the setpoint.		
Dependency:	Refer to: r1198		
Caution:	If the technology controller is being used as the speed main setpoint (p2251 = 0), do not invert the setpoint using p1113 when the technology controller is enabled because this can cause the speed to change suddenly and lead to positive couplings in the control loop.		
			
Notice:	The parameter may be protected as a result of p0922 or p2079 and cannot be changed.		
r1114	CO: Setpoint after the direction limiting / Setp after limit		
	Access level: 3	Calculated: -	Data type: FloatingPoint32
	Can be changed: -	Scaling: p2000	Dyn. index: -
	Units group: 3_1	Unit selection: p0505	Func. diagram: 3001, 3040, 3050
	Min	Max	Factory setting
	- [rpm]	- [rpm]	- [rpm]
Description:	Displays the speed/velocity setpoint after the changeover and limiting the direction.		
r1119	CO: Ramp-function generator setpoint at the input / RFG setp at inp		
	Access level: 3	Calculated: -	Data type: FloatingPoint32
	Can be changed: -	Scaling: p2000	Dyn. index: -
	Units group: 3_1	Unit selection: p0505	Func. diagram: 3001, 3050, 3070, 6300
	Min	Max	Factory setting
	- [rpm]	- [rpm]	- [rpm]
Description:	Displays the setpoint at the input of the ramp-function generator.		
Notice:	The parameter may be protected as a result of p0922 or p2079 and cannot be changed.		
Note:	The setpoint is influenced by other functions, e.g. skip (suppressed) speeds, minimum and maximum limits.		

p1120[0...n]	Ramp-function generator ramp-up time / RFG ramp-up time		
	Access level: 1	Calculated: -	Data type: FloatingPoint32
	Can be changed: C(1), U, T	Scaling: -	Dyn. index: DDS, p0180
	Units group: -	Unit selection: -	Func. diagram: 3070
	Min	Max	Factory setting
	0.000 [s]	999999.000 [s]	10.000 [s]
Description:	The ramp-function generator ramps-up the speed setpoint from standstill (setpoint = 0) up to the maximum speed (p1082) in this time.		
Dependency:	Refer to: p1082		
Note:	The ramp-up time can be scaled via connector input p1138. The parameter is adapted during the rotating measurement (p1960 > 0). This is the reason that during the rotating measurement, the motor can accelerate faster than was originally parameterized. For U/f control and sensorless vector control (see p1300), a ramp-up time of 0 s is not expedient. The setting should be based on the startup times (r0345) of the motor.		
p1121[0...n]	Ramp-function generator ramp-down time / RFG ramp-down time		
	Access level: 1	Calculated: -	Data type: FloatingPoint32
	Can be changed: C(1), U, T	Scaling: -	Dyn. index: DDS, p0180
	Units group: -	Unit selection: -	Func. diagram: 3060, 3070
	Min	Max	Factory setting
	0.000 [s]	999999.000 [s]	10.000 [s]
Description:	Sets the ramp-down time for the ramp-function generator. The ramp-function generator ramps-down the speed setpoint from the maximum speed (p1082) down to standstill (setpoint = 0) in this time. Further, the ramp-down time is always effective for OFF1.		
Dependency:	Refer to: p1082		
Note:	For U/f control and sensorless vector control (see p1300), a ramp-down time of 0 s is not expedient. The setting should be based on the startup times (r0345) of the motor.		
p1130[0...n]	Ramp-function generator initial rounding-off time / RFG t_start_round		
	Access level: 2	Calculated: -	Data type: FloatingPoint32
	Can be changed: U, T	Scaling: -	Dyn. index: DDS, p0180
	Units group: -	Unit selection: -	Func. diagram: 3070
	Min	Max	Factory setting
	0.000 [s]	30.000 [s]	0.000 [s]
Description:	Sets the initial rounding-off time for the extended ramp generator. The value applies to ramp-up and ramp-down.		
Note:	Rounding-off times avoid an abrupt response and prevent damage to the mechanical system.		
p1131[0...n]	Ramp-function generator final rounding-off time / RFG t_end_delay		
	Access level: 2	Calculated: -	Data type: FloatingPoint32
	Can be changed: U, T	Scaling: -	Dyn. index: DDS, p0180
	Units group: -	Unit selection: -	Func. diagram: 3070
	Min	Max	Factory setting
	0.000 [s]	30.000 [s]	0.000 [s]
Description:	Sets the final rounding-off time for the extended ramp generator. The value applies to ramp-up and ramp-down.		
Note:	Rounding-off times avoid an abrupt response and prevent damage to the mechanical system.		

p1134[0...n]	Ramp-function generator rounding-off type / RFG round-off type		
	Access level: 2	Calculated: -	Data type: Integer16
	Can be changed: U, T	Scaling: -	Dyn. index: DDS, p0180
	Units group: -	Unit selection: -	Func. diagram: 3070
	Min	Max	Factory setting
	0	1	0
Description:	Sets the smoothed response to the OFF1 command or the reduced setpoint for the extended ramp-function generator.		
Value:	0: Cont smoothing 1: Discont smoothing		
Dependency:	No effect up to initial rounding-off time (p1130) > 0 s.		
Note:	p1134 = 0 (continuous smoothing) If the setpoint is reduced while ramping-up, initially a final rounding-off is carried out and then the ramp-up completed. During the final rounding-off, the output of the ramp-function generator continues to go in the direction of the previous setpoint (overshoot). After the final rounding-off has been completed, the output goes toward the new setpoint. p1134 = 1 (discontinuous smoothing) If the setpoint is reduced while ramping-up, then the output goes immediately in the direction of the new setpoint. For the setpoint change there is no rounding-off.		
p1135[0...n]	OFF3 ramp-down time / OFF3 t_RD		
	Access level: 2	Calculated: -	Data type: FloatingPoint32
	Can be changed: C(1), U, T	Scaling: -	Dyn. index: DDS, p0180
	Units group: -	Unit selection: -	Func. diagram: 3060, 3070
	Min	Max	Factory setting
	0.000 [s]	5400.000 [s]	0.000 [s]
Description:	Sets the ramp-down time from the maximum speed down to zero speed for the OFF3 command.		
Note:	This time can be exceeded if the DC link voltage reaches its maximum value.		
p1136[0...n]	OFF3 initial rounding-off time / RFGOFF3 t_strt_rnd		
	Access level: 3	Calculated: -	Data type: FloatingPoint32
	Can be changed: U, T	Scaling: -	Dyn. index: DDS, p0180
	Units group: -	Unit selection: -	Func. diagram: 3070
	Min	Max	Factory setting
	0.000 [s]	30.000 [s]	0.000 [s]
Description:	Sets the initial rounding-off time for OFF3 for the extended ramp generator.		
p1137[0...n]	OFF3 final rounding-off time / RFG OFF3 t_end_del		
	Access level: 3	Calculated: -	Data type: FloatingPoint32
	Can be changed: U, T	Scaling: -	Dyn. index: DDS, p0180
	Units group: -	Unit selection: -	Func. diagram: 3070
	Min	Max	Factory setting
	0.000 [s]	30.000 [s]	0.000 [s]
Description:	Sets the final rounding-off time for OFF3 for the extended ramp generator.		
p1138[0...n]	CI: Ramp-function generator ramp-up time scaling / RFG t_RU scal		
	Access level: 3	Calculated: -	Data type: U32 / FloatingPoint32
	Can be changed: T	Scaling: PERCENT	Dyn. index: CDS, p0170
	Units group: -	Unit selection: -	Func. diagram: 3070
	Min	Max	Factory setting
	-	-	1
Description:	Sets the signal source for scaling the ramp-up time of the ramp-function generator.		
Dependency:	Refer to: p1120		

Note: The ramp-up time is set in p1120.

p1139[0...n]	CI: Ramp-function generator ramp-down time scaling / RFG t_RD scal		
	Access level: 3	Calculated: -	Data type: U32 / FloatingPoint32
	Can be changed: T	Scaling: PERCENT	Dyn. index: CDS, p0170
	Units group: -	Unit selection: -	Func. diagram: 3070
	Min	Max	Factory setting
	-	-	1

Description: Sets the signal source for scaling the ramp-down time of the ramp-function generator.

Dependency: Refer to: p1121

Note: The ramp-down time is set in p1121.

p1140[0...n]	BI: Enable ramp-function generator/inhibit ramp-function generator / RFG enable		
G120C_CAN	Access level: 3	Calculated: -	Data type: U32 / Binary
G120C_USS	Can be changed: T	Scaling: -	Dyn. index: CDS, p0170
	Units group: -	Unit selection: -	Func. diagram: 2501
	Min	Max	Factory setting
	-	-	1

Description: Sets the signal source for the command "enable ramp-function generator/inhibit ramp-function generator". For the PROFIdrive profile, this command corresponds to control word 1 bit 4 (STW1.4).

BI: p1140 = 0 signal:

Inhibits the ramp-function generator (the ramp-function generator output is set to zero).

BI: p1140 = 1 signal:

Ramp-function generator enable.

Dependency: Refer to: r0054, p1141, p1142

Caution: When "master control from PC" is activated, this binector input is ineffective.



Notice: The parameter may be protected as a result of p0922 or p2079 and cannot be changed.

p1140[0...n]	BI: Enable ramp-function generator/inhibit ramp-function generator / RFG enable		
G120C_DP	Access level: 3	Calculated: -	Data type: U32 / Binary
G120C_PN	Can be changed: T	Scaling: -	Dyn. index: CDS, p0170
	Units group: -	Unit selection: -	Func. diagram: 2501
	Min	Max	Factory setting
	-	-	[0] 2090.4
			[1] 1

Description: Sets the signal source for the command "enable ramp-function generator/inhibit ramp-function generator". For the PROFIdrive profile, this command corresponds to control word 1 bit 4 (STW1.4).

BI: p1140 = 0 signal:

Inhibits the ramp-function generator (the ramp-function generator output is set to zero).

BI: p1140 = 1 signal:



Ramp-function generator enable.

Dependency: Refer to: r0054, p1141, p1142

Caution: When "master control from PC" is activated, this binector input is ineffective.



Notice: The parameter may be protected as a result of p0922 or p2079 and cannot be changed.

p1141[0...n]	BI: Continue ramp-function generator/freeze ramp-function generator / Continue RFG		
G120C_CAN	Access level: 3	Calculated: -	Data type: U32 / Binary
G120C_USS	Can be changed: T	Scaling: -	Dyn. index: CDS, p0170
	Units group: -	Unit selection: -	Func. diagram: 2501
	Min	Max	Factory setting
	-	-	1
Description:	Sets the signal source for the command "continue ramp-function generator/freeze ramp-function generator". For the PROFIdrive profile, this command corresponds to control word 1 bit 5 (STW1.5). BI: p1141 = 0 signal: Freezes the ramp-function generator. BI: p1141 = 1 signal: Continue ramp-function generator.		
Dependency:	Refer to: r0054, p1140, p1142		
Caution:	When "master control from PC" is activated, this binector input is ineffective.		
			
Notice:	The ramp-function generator is, independent of the state of the signal source, active in the following cases: - OFF1/OFF3. - ramp-function generator output within the suppression bandwidth. - ramp-function generator output below the minimum speed.		
p1141[0...n]	BI: Continue ramp-function generator/freeze ramp-function generator / Continue RFG		
G120C_DP	Access level: 3	Calculated: -	Data type: U32 / Binary
G120C_PN	Can be changed: T	Scaling: -	Dyn. index: CDS, p0170
	Units group: -	Unit selection: -	Func. diagram: 2501
	Min	Max	Factory setting
	-	-	[0] 2090.5 [1] 1
Description:	Sets the signal source for the command "continue ramp-function generator/freeze ramp-function generator". For the PROFIdrive profile, this command corresponds to control word 1 bit 5 (STW1.5). BI: p1141 = 0 signal: Freezes the ramp-function generator. BI: p1141 = 1 signal: Continue ramp-function generator.		
Dependency:	Refer to: r0054, p1140, p1142		
Caution:	When "master control from PC" is activated, this binector input is ineffective.		
			
Notice:	The ramp-function generator is, independent of the state of the signal source, active in the following cases: - OFF1/OFF3. - ramp-function generator output within the suppression bandwidth. - ramp-function generator output below the minimum speed.		
p1142[0...n]	BI: Enable setpoint/inhibit setpoint / Setpoint enable		
G120C_CAN	Access level: 3	Calculated: -	Data type: U32 / Binary
G120C_USS	Can be changed: T	Scaling: -	Dyn. index: CDS, p0170
	Units group: -	Unit selection: -	Func. diagram: 2501
	Min	Max	Factory setting
	-	-	1
Description:	Sets the signal source for the command "enable setpoint/inhibit setpoint". For the PROFIdrive profile, this command corresponds to control word 1 bit 6 (STW1.6). BI: p1142 = 0 signal Inhibits the setpoint (the ramp-function generator input is set to zero).		

2 Parameters

2.2 List of parameters

BI: p1142 = 1 signal

Setpoint enable.

Dependency:

Refer to: p1140, p1141

Caution:

When "master control from PC" is activated, this binector input is ineffective.



Notice:

The parameter may be protected as a result of p0922 or p2079 and cannot be changed.

Note:

When the function module "position control" (r0108.3 = 1) is activated, this binector input is interconnected as follows as standard:

BI: p1142 = 0 signal

p1142[0...n]

BI: Enable setpoint/inhibit setpoint / Setpoint enable

G120C_DP

Access level: 3

Calculated: -

Data type: U32 / Binary

G120C_PN

Can be changed: T

Scaling: -

Dyn. index: CDS, p0170

Units group: -

Unit selection: -

Func. diagram: 2501

Min

Max

Factory setting

-

-

[0] 2090.6

[1] 1

Description:

Sets the signal source for the command "enable setpoint/inhibit setpoint".

For the PROFIdrive profile, this command corresponds to control word 1 bit 6 (STW1.6).

BI: p1142 = 0 signal

Inhibits the setpoint (the ramp-function generator input is set to zero).

BI: p1142 = 1 signal

Setpoint enable.

Dependency:

Refer to: p1140, p1141

Caution:

When "master control from PC" is activated, this binector input is ineffective.



Notice:

The parameter may be protected as a result of p0922 or p2079 and cannot be changed.

Note:

When the function module "position control" (r0108.3 = 1) is activated, this binector input is interconnected as follows as standard:

BI: p1142 = 0 signal

r1149

CO: Ramp-function generator acceleration / RFG acceleration

Access level: 3

Calculated: -

Data type: FloatingPoint32

Can be changed: -

Scaling: p2007

Dyn. index: -

Units group: 39_1

Unit selection: p0505

Func. diagram: 3070

Min

Max

Factory setting

- [rev/s²]

- [rev/s²]

- [rev/s²]

Description:

Displays the acceleration of the ramp-function generator.

r1150

CO: Ramp-function generator speed setpoint at the output / RFG n_set at outp

Access level: 4

Calculated: -

Data type: FloatingPoint32

Can be changed: -

Scaling: p2000

Dyn. index: -

Units group: 3_1

Unit selection: p0505

Func. diagram: -

Min

Max

Factory setting

- [rpm]

- [rpm]

- [rpm]


Description:


Displays the setpoint at the output of the ramp-function generator.

r1170	CO: Speed controller setpoint sum / n_ctrl setp sum			
	Access level: 3	Calculated: -	Data type: FloatingPoint32	
	Can be changed: -	Scaling: p2000	Dyn. index: -	
	Units group: 3_1	Unit selection: p0505	Func. diagram: 3001, 3070, 6300	
	Min	Max	Factory setting	
	- [rpm]	- [rpm]	- [rpm]	
Description:	Display and connector output for the speed setpoint.			
Dependency:	Refer to: r1150			
r1198.0...15	CO/BO: Control word setpoint channel / STW setpoint chan			
	Access level: 3	Calculated: -	Data type: Unsigned16	
	Can be changed: -	Scaling: -	Dyn. index: -	
	Units group: -	Unit selection: -	Func. diagram: 2505	
	Min	Max	Factory setting	
	-	-	-	
Description:	Display and BICO output for the control word of the setpoint channel.			
Bit field:	Bit	Signal name	1 signal	0 signal
	00	Fixed setp bit 0	Yes	No
	01	Fixed setp bit 1	Yes	No
	02	Fixed setp bit 2	Yes	No
	03	Fixed setp bit 3	Yes	No
	05	Inhibit negative direction	Yes	No
	06	Inhibit positive direction	Yes	No
	11	Setpoint inversion	Yes	No
	13	Motorized potentiometer raise	Yes	No
	14	Motorized potentiometer lower	Yes	No
	15	Bypass ramp-function generator	Yes	No
				FP
				3010
				3010
				3010
				3010
				3040
				3040
				3040
				3020
				3020
				3070
p1200[0...n]	Flying restart operating mode / FlyRest op_mode			
	Access level: 2	Calculated: -	Data type: Integer16	
	Can be changed: U, T	Scaling: -	Dyn. index: DDS, p0180	
	Units group: -	Unit selection: -	Func. diagram: 6300	
	Min	Max	Factory setting	
	0	4	0	
Description:	Sets the operating mode for flying restart.			
	The flying restart allows the drive converter to be powered up while the motor is still rotating. In so doing, the drive converter output frequency is changed until the actual motor speed/velocity is found. The motor then accelerates up to the setpoint at the ramp-function generator setting.			
Value:	0: Flying restart inactive			
	1: Flying restart always active (start in setpoint direction)			
	4: Flying restart always active (start only in setpoint direction)			
Dependency:	For synchronous motors, flying restart cannot be activated.			
	Refer to: p1201			
Notice:	The "flying restart" function must be used in cases where the motor may still be running (e.g. after a brief line supply interruption) or is being driven by the load. The system might otherwise shut down as a result of overcurrent.			
Note:	For p1200 = 1, 4, the following applies:			
	Flying restart is active after faults, OFF1, OFF2, OFF3.			
	For p1200 = 1, the following applies:			
	The search is made in both directions.			
	For p1200 = 4, the following applies:			
	The search is only made in the setpoint direction.			
	For U/f control (p1300 < 20), the following applies:			
	The speed can only be sensed for values above approx. 5 % of the rated motor speed. For lower speeds, it is assumed that the motor is at a standstill.			

If p1200 is changed during commissioning (p0010 > 0), then it is possible that the old value will no longer be able to be set. The reason for this is that the dynamic limits of p1200 have been changed by a parameter that was set when the drive was commissioned (e.g. p0300).

p1201[0...n]	BI: Flying restart enable signal source / Fly_res enab S_src		
	Access level: 3	Calculated: -	Data type: U32 / Binary
	Can be changed: T	Scaling: -	Dyn. index: CDS, p0170
	Units group: -	Unit selection: -	Func. diagram: -
	Min	Max	Factory setting
	-	-	1
Description:	Sets the signal source to enable the "flying restart" function.		
Dependency:	Refer to: p1200		
Note:	Withdrawing the enable signal has the same effect as setting p1200 = 0.		

p1202[0...n]	Flying restart search current / FlyRest I_srch		
	Access level: 3	Calculated: -	Data type: FloatingPoint32
	Can be changed: U, T	Scaling: -	Dyn. index: DDS, p0180
	Units group: -	Unit selection: -	Func. diagram: -
	Min	Max	Factory setting
	10 [%]	400 [%]	100 [%]
Description:	Sets the search current for the "flying restart" function. The value is referred to the motor magnetizing current.		
Dependency:	Refer to: r0331		
Caution:	An unfavorable parameter value can result in the motor behaving in an uncontrollable fashion.		
			
Note:	In U/f control mode, the parameter serves as a threshold value for establishing the current at the beginning of the flying restart function. When the threshold value is reached, the prevailing search current is set dependent upon the frequency on the basis of voltage inputs. Reducing the search current can also improve flying restart performance (if the system moment of inertia is not very high, for example).		

p1203[0...n]	Flying restart search rate factor / FlyRst v_Srch Fact		
	Access level: 3	Calculated: -	Data type: FloatingPoint32
	Can be changed: U, T	Scaling: -	Dyn. index: DDS, p0180
	Units group: -	Unit selection: -	Func. diagram: -
	Min	Max	Factory setting
	10 [%]	4000 [%]	100 [%]
Description:	Sets the factor for the search speed for flying restart. The value influences the rate at which the output frequency is changed during a flying restart . A higher value results in a longer search time.		
Recommend.:	For encoderless vector control and motor cables longer than 200 m, set the factor p1203 >= 300 %.		
Caution:	An unfavorable parameter value can result in the motor behaving in an uncontrollable fashion.		
	For vector control, a value that is too low or too high can cause flying restart to become unstable.		
Note:	The parameter factory setting is selected so that standard induction motors that are rotating can be found and restarted as quickly as possible (fast flying restart). With this pre-setting, if the motor is not found (e.g. for motors that are accelerated as a result of active loads or with U/f control and low speeds), we recommend that the search rate is reduced (by increasing p1203).		

p1206[0...9]	Faults without automatic restart / F w/out auto AR		
	Access level: 3	Calculated: -	Data type: Unsigned16
	Can be changed: U, T	Scaling: -	Dyn. index: -
	Units group: -	Unit selection: -	Func. diagram: -
	Min	Max	Factory setting
	0	65535	0
Description:	Sets faults for which automatic restart should not be effective.		
Dependency:	The setting is only effective for p1210 = 6, 16, 26. Refer to: p1210		
p1210	Automatic restart mode / AR mode		
	Access level: 2	Calculated: -	Data type: Integer16
	Can be changed: U, T	Scaling: -	Dyn. index: -
	Units group: -	Unit selection: -	Func. diagram: -
	Min	Max	Factory setting
	0	26	0
Description:	Sets the automatic restart mode (AR). The parameters must be saved in the non-volatile memory p0971 = 1 in order that the setting becomes effective.		
Value:	0: Inhibit automatic restart 1: Acknowledge all faults without restarting 4: Restart after line supply failure w/o additional start attempts 6: Restart after fault with additional start attempts 14: Restart after line supply failure following man. acknowledgment 16: Restart after fault following manual acknowledgment 26: Acknowledging all faults and reclosing for an ON command		
Recommend.:	For brief line supply failures, the motor shaft may still be rotating when restarting. The "flying restart" function (p1200) might need to be activated to restart while the motor shaft is still rotating.		
Dependency:	The automatic restart requires an active ON command (e.g., via a digital input). If, for p1210 > 1, there is no active ON command, then the automatic restart is interrupted. When using an Operator Panel in the LOCAL mode, then there is no automatic start. For p1210 = 14, 16, a manual acknowledgement is required for an automatic restart. Refer to: p0840		
Danger: 	If the automatic restart is activated (p1210 > 1) if there is an ON command (refer to p0840), the drive is powered up as soon as any fault messages that are present can be acknowledged. This also occurs after the line supply returns or the Control Unit boots if the DC link voltage is present again. This automatic power-up sequence can only be interrupted by withdrawing the ON command.		
Notice:	A change is only accepted and made in the state "initialization" and "wait for alarm". When faults are present, therefore, the parameter cannot be changed.		
Note:	For p1210 > 1, the motor is automatically started. Re p1210 = 1: Faults that are present are automatically acknowledged. If new faults occur after a successful fault acknowledgment, then these are also automatically acknowledged again. p1211 has no influence on the number of acknowledgment attempts. Re p1210 = 4: An automatic restart is only performed if fault F30003 has occurred on the power unit. If additional faults are present, then these faults are also acknowledged and when successful, starting continues. If, for external 24 V power supplies of the CU, additional faults subsequently occur, these are no longer interpreted as line faults and are therefore also not acknowledged. Re p1210 = 6: An automatic restart is carried out if any fault has occurred. Re p1210 = 14: As for p1210 = 4. However, faults that are present must be manually acknowledged. Re p1210 = 16: As for p1210 = 6. However, faults that are present must be manually acknowledged.		


Re p1210 = 26:

The same as for p1210 = 6. For this mode, the switch-on command can be entered with a delay. The restart is interrupted with either OFF2 or OFF3. Alarm A07321 is only displayed if the cause of the fault has been removed and the drive is restarted by setting the switch-on command.

p1211	Automatic restart start attempts / AR start attempts		
	Access level: 3	Calculated: -	Data type: Unsigned16
	Can be changed: U, T	Scaling: -	Dyn. index: -
	Units group: -	Unit selection: -	Func. diagram: -
	Min	Max	Factory setting
	0	10	3
Description:	Sets the start attempts of the automatic restart function for p1210 = 4, 6, 14, 16, 26.		
Dependency:	A change is only accepted and made in the state "initialization" and "wait for alarm". Refer to: p1210		
Notice:	After fault F07320 occurs, the power-on command must be withdrawn and all of the faults acknowledged so that the automatic restart function is re-activated. After a complete power failure the start counter always starts with the counter value that applied before the power failure, and decrements this start attempt by 1. If a further attempt to acknowledge is started by the automatic restart function prior to power failure, e.g. when the CU remains active on power failure longer than the time $p1212 / 2$, the fault counter will already have been decremented once. In this case, the start counter is thus decreased by the value 2.		
Note:	A start attempt starts immediately when a fault occurs. The start attempt is considered to be completed if the motor was magnetized ($r0056.4 = 1$) and an additional delay time of 1 s has expired. As long as a fault is present, an acknowledge command is generated in the time intervals of $p1212 / 2$. When successfully acknowledged, the start counter is decremented. If, after this, a fault re-occurs before a restart has been completed, then acknowledgement starts again from the beginning. Fault F07320 is output if, after several faults occur, the number of parameterized start attempts has been reached. After a successful start attempt, i.e. a fault/error has no longer occurred up to the end of the magnetizing phase, the start counter is again reset to the parameter value after 1 s. If a fault re-occurs - the parameterized number of start attempts is again available. At least one start attempt is always carried out. After a line supply failure, acknowledgement is immediate and when the line supply returns, the system is powered up. If, between successfully acknowledging the line fault and the line supply returning, another fault occurs, then its acknowledgement also causes the start counter to be decremented. Re p1210 = 26: The start counter is decremented if after a successful fault acknowledgement, the on command is present.		

p1212	Automatic restart delay time start attempts / AR t_wait start		
	Access level: 3	Calculated: -	Data type: FloatingPoint32
	Can be changed: U, T	Scaling: -	Dyn. index: -
	Units group: -	Unit selection: -	Func. diagram: -
	Min	Max	Factory setting
	0.1 [s]	1000.0 [s]	1.0 [s]
Description:	Sets the delay time up to restart.		
Dependency:	This parameter setting is active for p1210 = 4, 6, 26. For p1210 = 1, the following applies: Faults are only automatically acknowledged in half of the waiting time, no restart. Refer to: p1210		
Notice:	A change is only accepted and made in the state "initialization" and "wait for alarm".		
Note:	The faults are automatically acknowledged after half of the delay time has expired and the full delay time. If the cause of a fault is not removed in the first half of the delay time, then it is no longer possible to acknowledge in the delay time.		

p1213[0...1]	Automatic restart monitoring time / AR t_monit		
	Access level: 3	Calculated: -	Data type: FloatingPoint32
	Can be changed: U, T	Scaling: -	Dyn. index: -
	Units group: -	Unit selection: -	Func. diagram: -
	Min	Max	Factory setting
	0.0 [s]	10000.0 [s]	[0] 60.0 [s] [1] 0.0 [s]
Description:	Sets the monitoring time of the automatic restart (AR).		
Index:	[0] = Restart [1] = Reset start counter		
Dependency:	Refer to: p1210		
Notice:	A change is only accepted and made in the state "initialization" and "wait for alarm". After fault F07320 occurs, the power-on command must be withdrawn and all of the faults acknowledged so that the automatic restart function is re-activated.		
Note:	<p>Re index 0:</p> <p>The monitoring time starts when the faults are detected. If the automatic acknowledgements are not successful, the monitoring time runs again. If, after the monitoring time has expired, the drive has still not successfully started again (flying restart and magnetizing of the motor must have been completed: r0056.4 = 1), then fault F07320 is output. The monitoring is de-activated with p1213 = 0. If p1213 is set lower than the sum of p1212, the magnetizing time p0346 and the additional delay time due to the flying restart, then fault F07320 is generated at each restart. If, for p1210 = 1, the time in p1213 is set lower than in p1212, then fault F07320 is also generated at each restart. The monitoring time must be extended if the faults that occur cannot be immediately and successfully acknowledged (e.g. for faults that are permanently present). In the case of p1210 = 14, 16, the faults which are present must be acknowledged manually within the time in p1213[0]. Otherwise, fault F07320 is generated after the set time.</p> <p>Re index 1:</p> <p>The start counter is only reset to the starting value p1211 if, after successful restart, the time in p1213[1]. The delay time is not effective for fault acknowledgement without automatic restart (p1210 = 1). After a power failure (blackout) the delay time only starts after the line supply returns and the Control Unit boots. The start counter is set to p1211, if F07320 occurred, the power-on command is withdrawn and the fault is acknowledged. The start counter is immediately updated if the starting value p1211 or the mode p1210 is changed. For p1210 = 26, the fault must have been successfully acknowledged and the switch-on command issued within the time in p1213[0]. Otherwise, fault F07320 is generated after the set time.</p>		

p1215	Motor holding brake configuration / Brake config		
	Access level: 2	Calculated: -	Data type: Integer16
	Can be changed: T	Scaling: -	Dyn. index: -
	Units group: -	Unit selection: -	Func. diagram: 2701
	Min	Max	Factory setting
	0	3	0
Description:	Sets the holding brake configuration.		
Value:	0: No motor holding brake available 3: Motor holding brake like sequence control connection via BICO		
Dependency:	Refer to: p1216, p1217		
Caution:	For the setting p1215 = 0, if a brake is used, it remains closed. If the motor moves, this will destroy the brake.		
			
Notice:	If p1215 was set to 1 or if p1215 was set to 3, then when the pulses are suppressed, the brake is closed even if the motor is still rotating. Pulse suppression can either be caused by a 0 signal at p0844, p0845 or p0852 or as a result of a fault with OFF2 response. If this is not desirable (e.g. for a flying restart), then the brake can be kept open using a 1 signal at p0855.		
Note:	If a holding brake integrated in the motor is used, then it is not permissible that p1215 is set to 3. if an external motor holding brake is being used, then p1215 should be set to 3 and r0899.12 should be interconnected as control signal. The parameter can only be set to zero when the pulses are inhibited.		

p1216	Motor holding brake opening time / Brake t_{open}		
	Access level: 2	Calculated: -	Data type: FloatingPoint32
	Can be changed: U, T	Scaling: -	Dyn. index: -
	Units group: -	Unit selection: -	Func. diagram: 2701
	Min	Max	Factory setting
	0 [ms]	10000 [ms]	100 [ms]
Description:	Sets the time to open the motor holding brake. After the holding brake has been controlled (opened), the speed setpoint remains at zero for this time. After this, the speed setpoint is enabled.		
Recommend.:	This time should be set longer than the actual opening time of the brake. This ensures that the drive cannot accelerate when the brake is applied.		
Dependency:	Refer to: p1215, p1217		
Note:	For a motor with DRIVE-CLiQ and integrated brake, for p0300 = 10000, this time is pre-assigned the value saved in the motor.		

p1217	Motor holding brake closing time / Brake t_{close}		
	Access level: 2	Calculated: -	Data type: FloatingPoint32
	Can be changed: U, T	Scaling: -	Dyn. index: -
	Units group: -	Unit selection: -	Func. diagram: 2701
	Min	Max	Factory setting
	0 [ms]	10000 [ms]	100 [ms]
Description:	Sets the time to apply the motor holding brake. After OFF1 or OFF3 and the controlling (closing) of the holding brake, the drive remains stationary under closed-loop control for this time with a speed setpoint of zero. The pulses are suppressed when the time expires.		
Recommend.:	This time should be set longer than the actual closing time of the brake. This ensures that the pulses are only suppressed after the brake has closed.		
Dependency:	Refer to: p1215, p1216		
Notice:	If the selected closing time is too short with respect to the actual closing time of the brake, then the load can sag. If the closing time is selected to be too long with respect to the actual closing time of the brake, the control works against the brake and therefore reduces its lifetime.		
Note:	For a motor with DRIVE-CLiQ and integrated brake, for p0300 = 10000, this time is pre-assigned the value saved in the motor.		

p1230[0...n]	BI: DC braking activation / DC brake act		
	Access level: 2	Calculated: -	Data type: U32 / Binary
	Can be changed: U, T	Scaling: -	Dyn. index: CDS, p0170
	Units group: -	Unit selection: -	Func. diagram: 7017
	Min	Max	Factory setting
	-	-	0
Description:	Sets the signal source to activate DC braking.		
Dependency:	Refer to: p1231, p1232, p1233, p1234, r1239		
Note:	1 signal: DC braking activated. 0 signal: DC braking de-activated.		

p1231[0...n]	DC braking configuration / DCBRK config		
	Access level: 2	Calculated: -	Data type: Integer16
	Can be changed: U, T	Scaling: -	Dyn. index: MDS, p0130
	Units group: -	Unit selection: -	Func. diagram: 7014, 7016, 7017
	Min	Max	Factory setting
	0	14	0
Description:	Setting to activate DC braking.		
Value:	0: No function 4: DC braking		

5: DC braking for OFF1/OFF3

14: DC braking below starting speed

Dependency:

Refer to: p0300, p1232, p1233, p1234, r1239

Note:

The function can only be used for induction motors (p0300 = 1).

Re p1231 = 4:

The function is activated as soon as the activation criterion is fulfilled.

- the function can be superseded by an OFF2 response.

Activation criterion (one of the following criteria is fulfilled):

- binector input p1230 = 1 signal (DC braking activation, depending on the operating mode).

- the drive is not in the state "S4: Operation" or in "S5x".

- the internal pulse enable is missing (r0046.19 = 0).

DC braking can only be withdrawn (p1231 = 0) if it is not being used as a fault response in p2101.

Re p1231 = 5:

DC braking is activated if the OFF1 or OFF3 command is present. Binector input p1230 is ineffective. If the drive speed still lies above the speed threshold p1234, then initially, the drive is ramped-down to this threshold, demagnetized (see p0347) and is then switched into DC braking for the time set in p1233. After this, the drive is switched-off. If, at OFF1, the drive speed is below p1234, then it is immediately demagnetized and switched into DC braking. A change is made into normal operation if the OFF1 command is withdrawn prematurely. Flying restart must be activated if the motor is still rotating.

DC braking by means of fault response continues to be possible.

Re p1231 = 14:

In addition to the function for p1231 = 5, binector input p1230 is evaluated.

DC braking is only automatically activated when the speed threshold p1234 is fallen below if binector input p1230 = 1 signal. This is also the case, if no OFF command is present.

After demagnetization and after the time in p1233 has expired, the drive changes back into normal operation or is switched-off (for OFF1/OFF3).

If a 0 signal is applied to binector input p1230, for OFF1 and OFF3 no DC braking is executed.

Note:

DCBRK: DC Braking

p1232[0...n]**DC braking braking current / DCBRK I_brake**

Access level: 2

Calculated: p0340 = 1

Data type: FloatingPoint32

Can be changed: U, T

Scaling: -

Dyn. index: MDS, p0130

Units group: -

Unit selection: -

Func. diagram: 7017

Min

Max

Factory setting

0.00 [Arms]

10000.00 [Arms]

0.00 [Arms]

Description:

Sets the braking current for DC braking.

Dependency:

Refer to: p1230, p1231, p1233, p1234, r1239, p1345, p1346

Note:

A change to the braking current becomes effective the next time that DC braking is switched on.

The value for p1232 is specified as an rms value in the 3-phase system. The magnitude of the braking current is the same as that of an identical output current at frequency zero (see r0067, r0068, p0640). The braking current is internally limited to r0067.

For the current controller, the settings of parameters p1345 and p1346 (I_max limiting controller) are used.

p1233[0...n]**DC braking time / DCBRK time**

Access level: 2

Calculated: -

Data type: FloatingPoint32

Can be changed: U, T

Scaling: -

Dyn. index: MDS, p0130

Units group: -

Unit selection: -

Func. diagram: 7017

Min

Max

Factory setting

0.0 [s]

3600.0 [s]

1.0 [s]

Description:

Sets the DC braking time (as fault response).


Dependency:

Refer to: p1230, p1231, p1232, p1234, r1239

p1234[0...n]	Speed at the start of DC braking / DCBRK n_start		
	Access level: 2	Calculated: -	Data type: FloatingPoint32
	Can be changed: U, T	Scaling: -	Dyn. index: MDS, p0130
	Units group: -	Unit selection: -	Func. diagram: 7017
	Min	Max	Factory setting
	0.00 [rpm]	210000.00 [rpm]	210000.00 [rpm]
Description:	Sets the starting speed for DC braking. If the actual speed falls below this threshold, then DC braking is activated.		
Dependency:	Refer to: p1230, p1231, p1232, p1233, r1239		

r1239.8...13	CO/BO: DC braking status word / DCBRK ZSW				
	Access level: 2	Calculated: -	Data type: Unsigned32		
	Can be changed: -	Scaling: -	Dyn. index: -		
	Units group: -	Unit selection: -	Func. diagram: -		
	Min	Max	Factory setting		
	-	-	-		
Description:	Status word of the DC braking.				
Bit field:	Bit	Signal name	1 signal	0 signal	FP
	08	DC braking active	Yes	No	7017
	10	DC braking ready	Yes	No	7017
	11	DC braking selected	Yes	No	-
	12	DC braking selection internally inhibited	Yes	No	-
	13	DC braking for OFF1/OFF3	Yes	No	-
Dependency:	Refer to: p1231, p1232, p1233, p1234				
Note:	Re bit 12, 13: Only effective for p1231 = 14.				

p1240[0...n]	Vdc controller configuration (vector control) / Vdc ctr config vec		
	Access level: 3	Calculated: -	Data type: Integer16
	Can be changed: U, T	Scaling: -	Dyn. index: DDS, p0180
	Units group: -	Unit selection: -	Func. diagram: 6220
	Min	Max	Factory setting
	0	3	1
Description:	Sets the controller configuration of the DC link voltage (Vdc controller) in the closed-loop control mode. For U/f control: see p1280.		
Value:	0: Inhib Vdc ctrl 1: Enable Vdc_max controller 2: Enable Vdc_min controller (kinetic buffering) 3: Enable Vdc_min controller and Vdc_max controller		
Dependency:	Refer to: p1245		
Notice:	An excessively high value in p1245 can possibly negatively influence the normal operation of the drive.		
Note:	If a braking resistor is connected to the DC link (p0219 > 0), then the Vdc_max control is automatically deactivated. p1240 = 1, 3: When the DC link voltage limit specified for the power unit is reached the following applies: - the Vdc_max controller limits the regenerative energy in order that the DC link voltage is kept below the maximum DC link voltage when braking. - the ramp-down times are automatically increased. p1240 = 2, 3: When the switch-in threshold of the Vdc_min controller is reached (p1245), the following applies: - the Vdc_min controller limits the energy taken from the DC link in order to keep the DC link voltage above the minimum DC link voltage when accelerating. - the motor is braked in order to use its kinetic energy to buffer the DC link.		

r1242	Vdc_max controller switch-in level / Vdc_max on_level		
	Access level: 3	Calculated: -	Data type: FloatingPoint32
	Can be changed: -	Scaling: p2001	Dyn. index: -
	Units group: -	Unit selection: -	Func. diagram: 6220
	Min	Max	Factory setting
	- [V]	- [V]	- [V]
Description:	Displays the switch-in level for the Vdc_max controller. If p1254 = 0 (automatic sensing of the switch-in level = off), then the following applies: $r1242 = 1.15 * \sqrt{2} * V_mains = 1.15 * \sqrt{2} * p0210$ (supply voltage) If p1254 = 1 (automatic sensing of the switch-in level = on), then the following applies: $r1242 = Vdc_max - 50.0 \text{ V}$ (Vdc_max: Overvoltage threshold of the power unit)		
Notice:	If the activation level of the Vdc_max controller is already exceeded in the deactivated state (pulse inhibit) by the DC link voltage, then the controller can be automatically deactivated (see F07401), so that the drive is not accelerated the next time that it is activated.		
Note:	The Vdc_max controller is not switched back off until the DC-link voltage falls below the threshold $0.95 * r1242$ and the controller output is zero.		
p1243[0...n]	Vdc_max controller dynamic factor / Vdc_max dyn_factor		
	Access level: 3	Calculated: p0340 = 1,3,4	Data type: FloatingPoint32
	Can be changed: U, T	Scaling: -	Dyn. index: DDS, p0180
	Units group: -	Unit selection: -	Func. diagram: 6220
	Min	Max	Factory setting
	1 [%]	10000 [%]	100 [%]
Description:	Sets the dynamic factor for the DC link voltage controller (Vdc_max controller). 100% means that p1250, p1251, and p1252 (gain, integral time, and rate time) are used corresponding to their basic settings and based on a theoretical controller optimization. If subsequent optimization is required, this can be carried out using the dynamic factor. In this case p1250, p1251, p1252 are weighted with the dynamic factor p1243.		
p1245[0...n]	Vdc_min controller switch-in level (kinetic buffering) / Vdc_min on_level		
	Access level: 3	Calculated: -	Data type: FloatingPoint32
	Can be changed: U, T	Scaling: -	Dyn. index: DDS, p0180
	Units group: -	Unit selection: -	Func. diagram: -
	Min	Max	Factory setting
	65 [%]	150 [%]	76 [%]
Description:	Sets the switch-in level for the Vdc-min controller (kinetic buffering). The value is obtained as follows: $r1246[V] = p1245[\%] * \sqrt{2} * p0210$		
Dependency:	Refer to: p0210		
Warning:	An excessively high value may adversely affect normal drive operation.		
			
r1246	Vdc_min controller switch-in level (kinetic buffering) / Vdc_min on_level		
	Access level: 3	Calculated: -	Data type: FloatingPoint32
	Can be changed: -	Scaling: p2001	Dyn. index: -
	Units group: -	Unit selection: -	Func. diagram: 6220
	Min	Max	Factory setting
	- [V]	- [V]	- [V]
Description:	Displays the switch-in level for the Vdc_min controller (kinetic buffering).		
Note:	The Vdc_min controller is not switched back off until the DC-link voltage rises above the threshold $1.05 * p1246$ and the controller output is zero.		

p1247[0...n]	Vdc_min controller dynamic factor (kinetic buffering) / Vdc_min dyn_factor		
	Access level: 3	Calculated: p0340 = 1,3,4	Data type: FloatingPoint32
	Can be changed: U, T	Scaling: -	Dyn. index: DDS, p0180
	Units group: -	Unit selection: -	Func. diagram: 6220
	Min	Max	Factory setting
	1 [%]	10000 [%]	300 [%]
Description:	Sets the dynamic factor for the Vdc_min controller (kinetic buffering). 100% means that p1250, p1251, and p1252 (gain, integral time, and rate time) are used corresponding to their basic settings and based on a theoretical controller optimization. If subsequent optimization is required, this can be carried out using the dynamic factor. In this case p1250, p1251, p1252 are weighted with the dynamic factor p1247.		
p1249[0...n]	Vdc_max controller speed threshold / Vdc_max n_thresh		
	Access level: 3	Calculated: p0340 = 1	Data type: FloatingPoint32
	Can be changed: U, T	Scaling: -	Dyn. index: DDS, p0180
	Units group: 3_1	Unit selection: p0505	Func. diagram: -
	Min	Max	Factory setting
	0.00 [rpm]	210000.00 [rpm]	10.00 [rpm]
Description:	Sets the lower speed threshold for the Vdc_max controller. When this speed threshold is undershot, the Vdc_max control is switched out and the speed is controlled using the ramp-function generator.		
Note:	For fast braking where the ramp-function generator tracking was active, it is possible to prevent the drive rotating in the opposite direction by increasing the speed threshold and setting a final rounding-off time in the ramp-function generator (p1131). This is supported using a dynamic setting of the speed controller.		
p1250[0...n]	Vdc controller proportional gain / Vdc_ctrl Kp		
	Access level: 4	Calculated: -	Data type: FloatingPoint32
	Can be changed: U, T	Scaling: -	Dyn. index: DDS, p0180
	Units group: -	Unit selection: -	Func. diagram: -
	Min	Max	Factory setting
	0.00	100.00	1.00
Description:	Sets the proportional gain for the DC-link voltage controller (Vdc_min controller, Vdc_max controller).		
Dependency:	The effective proportional gain is obtained taking into account p1243 (Vdc_max controller dynamic factor) and the DC link capacitance of the power unit.		
p1251[0...n]	Vdc controller integral time / Vdc_ctrl Tn		
	Access level: 4	Calculated: -	Data type: FloatingPoint32
	Can be changed: U, T	Scaling: -	Dyn. index: DDS, p0180
	Units group: -	Unit selection: -	Func. diagram: 6220
	Min	Max	Factory setting
	0 [ms]	10000 [ms]	0 [ms]
Description:	Sets the integral time for the DC-link voltage controller (Vdc_min controller, Vdc_max controller).		
Dependency:	The effective integral time is obtained taking into account p1243 (Vdc_max controller dynamic factor).		
Note:	p1251 = 0: The integral component is de-activated.		
p1252[0...n]	Vdc controller rate time / Vdc_ctrl t_rate		
	Access level: 4	Calculated: -	Data type: FloatingPoint32
	Can be changed: U, T	Scaling: -	Dyn. index: DDS, p0180
	Units group: -	Unit selection: -	Func. diagram: 6220
	Min	Max	Factory setting
	0 [ms]	1000 [ms]	0 [ms]
Description:	Sets the rate time constant for the DC-link voltage controller (Vdc_min controller, Vdc_max controller).		
Dependency:	The effective rate time is obtained taking into account p1243 (Vdc_max controller dynamic factor).		

p1254	Vdc_max controller automatic ON level detection / Vdc_max SenseOnLev		
	Access level: 3	Calculated: -	Data type: Integer16
	Can be changed: U, T	Scaling: -	Dyn. index: -
	Units group: -	Unit selection: -	Func. diagram: -
	Min	Max	Factory setting
	0	1	1
Description:	Activates/de-activates the automatic sensing of the switch-in level for the Vdc_max controller.		
Value:	0: Automatic detection inhibited 1: Automatic detection enabled		
p1255[0...n]	Vdc_min controller time threshold / Vdc_min t_thresh		
	Access level: 3	Calculated: -	Data type: FloatingPoint32
	Can be changed: U, T	Scaling: -	Dyn. index: DDS, p0180
	Units group: -	Unit selection: -	Func. diagram: -
	Min	Max	Factory setting
	0.000 [s]	1800.000 [s]	0.000 [s]
Description:	Sets the time threshold for the Vdc_min controller (kinetic buffering). If this value is exceeded a fault is output; the required response can be parameterized. Prerequisite: p1256 = 1		
Notice:	If a time threshold has been parameterized, the Vdc_max controller should also be activated (p1240 = 3) so that the drive does not shut down with overvoltage when Vdc_min control is exited (due to the time violation) and in the event of fault response OFF3. It is also possible to increase the OFF3 ramp-down time p1135.		
p1256[0...n]	Vdc_min controller response (kinetic buffering) / Vdc_min response		
	Access level: 3	Calculated: -	Data type: Integer16
	Can be changed: U, T	Scaling: -	Dyn. index: DDS, p0180
	Units group: -	Unit selection: -	Func. diagram: -
	Min	Max	Factory setting
	0	1	0
Description:	Sets the response for the Vdc_min controller (kinetic buffering).		
Value:	0: Buffer Vdc until undervoltage, n<p1257 -> F07405 1: Buff. Vdc until undervolt., n<p1257 -> F07405, t>p1255 -> F07406		
p1257[0...n]	Vdc_min controller speed threshold / Vdc_min n_thresh		
	Access level: 3	Calculated: p0340 = 1	Data type: FloatingPoint32
	Can be changed: U, T	Scaling: -	Dyn. index: DDS, p0180
	Units group: 3_1	Unit selection: p0505	Func. diagram: -
	Min	Max	Factory setting
	0.00 [rpm]	210000.00 [rpm]	50.00 [rpm]
Description:	Sets the speed threshold for the Vdc-min controller (kinetic buffering). If this value is exceeded a fault is output; the required response can be parameterized . Kinetic buffering is not started below the speed threshold.		
Note:	Exiting the Vdc_min control before reaching motor standstill prevents the regenerative braking current from increasing significantly at low speeds, and after a pulse inhibit, means that the motor coasts down. However, the maximum braking torque can be set via the appropriate torque limiting.		
r1258	CO: Vdc controller output / Vdc_ctrl output		
	Access level: 4	Calculated: -	Data type: FloatingPoint32
	Can be changed: -	Scaling: p2002	Dyn. index: -
	Units group: 6_2	Unit selection: p0505	Func. diagram: 6220
	Min	Max	Factory setting
	- [Arms]	- [Arms]	- [Arms]
Description:	Displays the actual output of the Vdc controller (DC link voltage controller)		

2 Parameters

2.2 List of parameters

Note: The regenerative power limit p1531 is used for vector control to pre-control the Vdc_max controller. The lower the power limit is set, the lower the correction signals of the controller when the voltage limit is reached.

p1271[0...n] Flying restart maximum frequency for the inhibited direction / FlyRes f_max dir

Access level: 3	Calculated: -	Data type: FloatingPoint32
Can be changed: U, T	Scaling: -	Dyn. index: DDS, p0180
Units group: -	Unit selection: -	Func. diagram: -
Min	Max	Factory setting
0 [Hz]	650 [Hz]	0 [Hz]

Description: Sets the maximum search frequency for a flying restart in an inhibited setpoint direction (p1110, p1111).

Note: The parameter has no effect for an operating mode, which only searches in the setpoint direction (p1200 > 3).

p1280[0...n] Vdc controller configuration (U/f) / Vdc_ctr config U/f

Access level: 3	Calculated: -	Data type: Integer16
Can be changed: U, T	Scaling: -	Dyn. index: DDS, p0180
Units group: -	Unit selection: -	Func. diagram: 6300, 6320
Min	Max	Factory setting
0	1	1

Description: Sets the configuration of the controller for the DC link voltage (Vdc controller) in the U/f operating mode.

Value:
 0: Inhib Vdc ctrl
 1: Enable Vdc_max controller

Note: For high input voltages (p0210), the following settings can improve the degree of ruggedness of the Vdc_max controller:

- Set the input voltage as low as possible, and in so doing, avoid A07401 (p0210).
- set the rounding times (p1130, p1136).
- Increase the ramp-down times (p1121).
- Reduce the integral time of the controller (p1291), factor 0.5.
- Reduce the rate time of the controller (p1292, factor 0.5).

In this case, we generally recommend to use vector control (p1300 = 20) (Vdc controller, see p1240).

The following measures are suitable to improve the Vdc_min controller:

- Optimize the Vdc_min controller (see p1287).

If a braking resistor is connected to the DC link (p0219 > 0), then the Vdc_max control is automatically deactivated.

r1282 Vdc_max controller switch-in level (U/f) / Vdc_max on_level

Access level: 3	Calculated: -	Data type: FloatingPoint32
Can be changed: -	Scaling: p2001	Dyn. index: -
Units group: -	Unit selection: -	Func. diagram: 6320
Min	Max	Factory setting
- [V]	- [V]	- [V]

Description: Displays the switch-in level for the Vdc_max controller.

If p1294 = 0 (automatic sensing of the switch-in level = off), then the following applies:

$$r1282 = 1.15 * \sqrt{2} * p0210 \text{ (supply voltage)}$$

If p1294 = 1 (automatic sensing of the switch-in level = on), then the following applies:

$$r1282 = Vdc_max - 50.0 \text{ V (Vdc_max: Overvoltage threshold of the power unit)}$$

$$r1282 = Vdc_max - 25.0 \text{ V (for 230 V power units)}$$

Notice: If the activation level of the Vdc_max controller is already exceeded in the deactivated state (pulse inhibit) by the DC link voltage, then the controller can be automatically deactivated (see F07401), so that the drive is not accelerated the next time that it is activated.

Note: The Vdc_max controller is not switched back off until the DC-link voltage falls below the threshold $0.95 * r1282$ and the controller output is zero.

p1283[0...n]	Vdc_max controller dynamic factor (U/f) / Vdc_max dyn_factor		
	Access level: 3	Calculated: p0340 = 1,3,4	Data type: FloatingPoint32
	Can be changed: U, T	Scaling: -	Dyn. index: DDS, p0180
	Units group: -	Unit selection: -	Func. diagram: 6320
	Min	Max	Factory setting
	1 [%]	10000 [%]	100 [%]
Description:	Sets the dynamic factor for the DC link voltage controller (Vdc_max controller). 100% means that p1290, p1291, and p1292 (gain, integral time, and rate time) are used in accordance with their basic settings and on the basis of a theoretical controller optimization. If subsequent optimization is required, this can be carried out using the dynamic factor. In this case, p1290, p1291, and p1292 are weighted with the dynamic factor p1283.		
p1284[0...n]	Vdc_max controller time threshold (U/f) / Vdc_max t_thresh		
	Access level: 3	Calculated: p0340 = 1	Data type: FloatingPoint32
	Can be changed: U, T	Scaling: -	Dyn. index: DDS, p0180
	Units group: -	Unit selection: -	Func. diagram: -
	Min	Max	Factory setting
	0.000 [s]	300.000 [s]	4.000 [s]
Description:	Sets the monitoring time for the Vdc_max controller. If the down ramp of the speed setpoint is held for longer than the time set in p1284, then fault F07404 is output.		
p1290[0...n]	Vdc controller proportional gain (U/f) / Vdc_ctrl Kp		
	Access level: 4	Calculated: p0340 = 1,3,4	Data type: FloatingPoint32
	Can be changed: U, T	Scaling: -	Dyn. index: DDS, p0180
	Units group: -	Unit selection: -	Func. diagram: 6320
	Min	Max	Factory setting
	0.00	100.00	1.00
Description:	Sets the proportional gain for the Vdc controller (DC link voltage controller).		
Note:	The gain factor is proportional to the capacitance of the DC link. The parameter is pre-set to a value that is optimally adapted to the capacitance of the power unit.		
p1291[0...n]	Vdc controller integral time (U/f) / Vdc_ctrl Tn		
	Access level: 4	Calculated: -	Data type: FloatingPoint32
	Can be changed: U, T	Scaling: -	Dyn. index: DDS, p0180
	Units group: -	Unit selection: -	Func. diagram: 6320
	Min	Max	Factory setting
	0 [ms]	10000 [ms]	40 [ms]
Description:	Sets the integral time for the Vdc controller (DC link voltage controller).		
p1292[0...n]	Vdc controller rate time (U/f) / Vdc_ctrl t_rate		
	Access level: 4	Calculated: p0340 = 1,3,4	Data type: FloatingPoint32
	Can be changed: U, T	Scaling: -	Dyn. index: DDS, p0180
	Units group: -	Unit selection: -	Func. diagram: 6320
	Min	Max	Factory setting
	0 [ms]	1000 [ms]	10 [ms]
Description:	Sets the rate time constant for the Vdc controller (DC link voltage controller).		

r1298	CO: Vdc controller output (U/f) / Vdc_ctrl output		
	Access level: 4	Calculated: -	Data type: FloatingPoint32
	Can be changed: -	Scaling: p2000	Dyn. index: -
	Units group: 3_1	Unit selection: p0505	Func. diagram: 6320
	Min	Max	Factory setting
	- [rpm]	- [rpm]	- [rpm]
Description:	Displays the actual output of the Vdc controller (DC link voltage controller)		

p1300[0...n]	Open-loop/closed-loop control operating mode / Op/cl-lp ctrl_mode		
	Access level: 2	Calculated: -	Data type: Integer16
	Can be changed: C(1), T	Scaling: -	Dyn. index: DDS, p0180
	Units group: -	Unit selection: -	Func. diagram: 6300, 6301, 8012
	Min	Max	Factory setting
	0	20	0
Description:	Sets the open and closed-loop control mode of a drive.		
Value:	0: U/f control with linear characteristic 1: U/f control with linear characteristic and FCC 2: U/f control with parabolic characteristic 3: U/f control with parameterizable characteristic 4: U/f control with linear characteristic and ECO 5: U/f control for drives requiring a precise freq. (e.g. textiles) 6: U/f control for drives requiring a precise frequency and FCC 7: U/f control for a parabolic characteristic and ECO 19: U/f control with independent voltage setpoint 20: Speed control (encoderless)		
Dependency:	Only operation with U/f characteristic is possible if the rated motor speed is not entered (p0311). Operation with a U/f characteristic is not supported for 1LE4 synchronous motors. Refer to: p0300, p0311, p0500		
Notice:	Active slip compensation is required in the U/f control types with Eco mode (p1300 = 4, 7). The scaling of the slip compensation (p1335) should be set so that the slip is completely compensated (generally 100%). The Eco mode is only effective in steady-state operation and when the ramp-function generator is not bypassed.		
Note:	For the open-loop control modes p1300 = 5 and 6 (textile sector), slip compensation p1335, resonance damping p1338, and the I _{max} frequency controller are switched off internally so that the output frequency can be set precisely. The I _{max} voltage controller remains active. During operation (pulses enabled) the open-loop/closed-loop control mode cannot be changed by changing over drive data sets.		

p1302[0...n]	U/f control configuration / U/f config		
	Access level: 3	Calculated: -	Data type: Unsigned16
	Can be changed: T	Scaling: -	Dyn. index: DDS, p0180
	Units group: -	Unit selection: -	Func. diagram: -
	Min	Max	Factory setting
	-	-	0000 bin
Description:	Sets the configuration for the U/f control.		
Bit field:	Bit	Signal name	1 signal 0 signal FP
	03	Motor holding brake with constant stop frequency	Yes No -
Note:	Re bit 03: When the bit is set, when the drive stops, the starting frequency of the motor holding brake is also not fallen below when the actual slip frequency is less than the starting frequency. Re bit 04: Field orientation for the closed-loop control of the basis application. The field orientation is activated with the automatic calculation if p0096 is set = 1.		

Re bit 05 (only effective for p1302.4 = 1):

The starting current when accelerating (p1311) generally results in an increase in the absolute current and flux. With p1302.5 = 1 the current is only increased in the direction of the load. This setting is recommended for drives with higher power ratings or drives with extremely fast rates of acceleration.

p1310[0...n]	Starting current (voltage boost) permanent / I_start (Ua) perm		
Access level: 2	Calculated: p0340 = 1	Data type: FloatingPoint32	
Can be changed: U, T	Scaling: -	Dyn. index: DDS, p0180	
Units group: -	Unit selection: -	Func. diagram: 6300, 6301	
Min	Max	Factory setting	
0.0 [%]	250.0 [%]	50.0 [%]	
Description:	<p>Defines the voltage boost as a [%] referred to the rated motor current (p0305). The magnitude of the permanent voltage boost is reduced with increasing frequency so that at the rated motor frequency, the rated motor voltage is present. The magnitude of the boost in Volt at a frequency of zero is defined as follows: Voltage boost [V] = 1.732 x p0305 (rated motor current [A]) x r0395 (stator/primary section resistance [ohm]) x p1310 (permanent voltage boost [%]) / 100 % At low output frequencies, there is only a low output voltage in order to maintain the motor flux. However, the output voltage can be too low in order to achieve the following:</p> <ul style="list-style-type: none"> - magnetize the induction motor. - hold the load. - compensate for losses in the system. <p>This is the reason that the output voltage can be increased using p1310. The voltage boost can be used for both linear as well as square-law U/f characteristics. Not for power units PM230, PM250, PM260: For field orientation (p1302.4 = 1, default setting for p0096 = 1), in the vicinity of low output frequencies, a minimum current is impressed with the magnitude of the rated magnetizing current. For p1310 = 0%, a current setpoint is calculated that corresponds to the no-load case. For p1610 = 100 %, a current setpoint is calculated that corresponds to the rated motor current.</p>		
Dependency:	<p>The starting current (voltage boost) is limited by the current limit p0640. The accuracy of the starting current depends on the setting of the stator and feeder cable resistance (p0350, p0352). Refer to: p1300, p1311, p1312, r1315</p>		
Notice:	The starting current (voltage boost) increases the motor temperature (particularly at zero speed).		
Note:	<p>The starting current as a result of the voltage boost is only effective for U/f control (p1300). The boost values are combined with one another if the permanent voltage boost (p1310) is used in conjunction with other boost parameters (acceleration boost (p1311), voltage boost for starting (p1312)). However, these parameters are assigned the following priorities: p1310 > p1311, p1312 For field orientation (p1302.4 = 1, not PM230, PM250, PM260), p1311 and p1312 of the voltage boost are also added in the direction of the load current (non-linear).</p>		

p1311[0...n]	Starting current (voltage boost) when accelerating / I_start accel		
Access level: 2	Calculated: -	Data type: FloatingPoint32	
Can be changed: U, T	Scaling: -	Dyn. index: DDS, p0180	
Units group: -	Unit selection: -	Func. diagram: 6300, 6301	
Min	Max	Factory setting	
0.0 [%]	250.0 [%]	0.0 [%]	
Description:	<p>p1311 only results in a voltage boost when accelerating and generates a supplementary torque to accelerate the load. The voltage boost becomes effective for a positive setpoint increase and disappears as soon as the setpoint has been reached. The build-up and withdrawal of the voltage boost are smoothed. The magnitude of the boost in Volt at a frequency of zero is defined as follows (not for field orientation): Voltage boost [V] = 1.732 * p0305 (rated motor current [A]) x r0395 (stator/primary section resistance [ohm]) x p1311 (voltage boost when accelerating [%]) / 100 %</p>		

2 Parameters

2.2 List of parameters

Dependency:	The current limit p0640 limits the boost. For field orientation (p1302 bit 4 = 1, not PM230, PM250, PM260), p1311 is preassigned by the automatic calculation. Refer to: p1300, p1310, p1312, r1315
Notice:	The voltage boost results in a higher motor temperature increase.
Note:	The voltage boost when accelerating can improve the response to small, positive setpoint changes. Assigning priorities for the voltage boosts: refer to p1310 For field orientation (p1302 bit 4 = 1, not PM230, PM250, PM260), p1311 of the voltage boost are also added in the direction of the load current (non-linear).

p1312[0...n]	Starting current (voltage boost) when starting / I_start start	
Access level: 2	Calculated: -	Data type: FloatingPoint32
Can be changed: U, T	Scaling: -	Dyn. index: DDS, p0180
Units group: -	Unit selection: -	Func. diagram: 6300, 6301
Min	Max	Factory setting
0.0 [%]	250.0 [%]	0.0 [%]
Description:	Setting for an additional voltage boost when powering-up, however, only for the first acceleration phase. The voltage boost becomes effective for a positive setpoint increase and disappears as soon as the setpoint has been reached. The build-up and withdrawal of the voltage boost are smoothed.	
Dependency:	The current limit p0640 limits the boost. Refer to: p1300, p1310, p1311, r1315	
Notice:	The voltage boost results in a higher motor temperature increase.	
Note:	The voltage boost when accelerating can improve the response to small, positive setpoint changes. Assigning priorities for the voltage boosts: refer to p1310 For field orientation (p1302. =1, not PM230, PM250, PM260), p1312 of the voltage boost are also added in the direction of the load current (non-linear).	

r1315	Voltage boost total / U_boost total	
Access level: 3	Calculated: -	Data type: FloatingPoint32
Can be changed: -	Scaling: p2001	Dyn. index: -
Units group: -	Unit selection: -	Func. diagram: 6301
Min	Max	Factory setting
- [Vrms]	- [Vrms]	- [Vrms]
Description:	Displays the total resulting voltage boost in volt. $r1315 = p1310 + p1311 + p1312$ For field orientation (p1302.4 = 1, not for PM230, PM250, PM260): $r1315 = p1310$	
Dependency:	Refer to: p1310, p1311, p1312	

p1320[0...n]	U/f control programmable characteristic frequency 1 / Uf char f1	
Access level: 3	Calculated: p0340 = 1	Data type: FloatingPoint32
Can be changed: U, T	Scaling: -	Dyn. index: DDS, p0180
Units group: -	Unit selection: -	Func. diagram: 6301
Min	Max	Factory setting
0.00 [Hz]	3000.00 [Hz]	0.00 [Hz]
Description:	The programmable characteristic for the U/f control is defined using 4 points and 0 Hz/p1310. This parameter specifies the voltage of the first point along the characteristic.	
Dependency:	Selects the freely programmable characteristic using p1300 = 3. The following applies to the frequency values: p1320 <= p1322 <= p1324 <= p1326. Otherwise, a standard characteristic is used that contains the rated motor operating point. Refer to: p1300, p1310, p1311, p1321, p1322, p1323, p1324, p1325, p1326, p1327	
Note:	Linear interpolation is carried out between the points 0 Hz/p1310, p1320/p1321 ... p1326/p1327. The voltage boost when accelerating (p1311) is also applied to the freely programmable U/f characteristic.	

p1321[0...n]	U/f control programmable characteristic voltage 1 / Uf char U1		
	Access level: 3	Calculated: p0340 = 1	Data type: FloatingPoint32
	Can be changed: U, T	Scaling: -	Dyn. index: DDS, p0180
	Units group: -	Unit selection: -	Func. diagram: 6301
	Min	Max	Factory setting
	0.0 [Vrms]	10000.0 [Vrms]	0.0 [Vrms]
Description:	The programmable characteristic for the U/f control is defined using 4 points and 0 Hz/p1310. This parameter specifies the voltage of the first point along the characteristic.		
Dependency:	Selects the freely programmable characteristic using p1300 = 3. Refer to: p1310, p1311, p1320, p1322, p1323, p1324, p1325, p1326, p1327		
Note:	Linear interpolation is carried out between the points 0 Hz/p1310, p1320/p1321 ... p1326/p1327. The voltage boost when accelerating (p1311) is also applied to the freely programmable U/f characteristic.		
p1322[0...n]	U/f control programmable characteristic frequency 2 / Uf char f2		
	Access level: 3	Calculated: p0340 = 1	Data type: FloatingPoint32
	Can be changed: U, T	Scaling: -	Dyn. index: DDS, p0180
	Units group: -	Unit selection: -	Func. diagram: 6301
	Min	Max	Factory setting
	0.00 [Hz]	3000.00 [Hz]	0.00 [Hz]
Description:	The programmable characteristic for the U/f control is defined using 4 points and 0 Hz/p1310. This parameter specifies the voltage of the second point along the characteristic.		
Dependency:	The following applies to the frequency values: p1320 <= p1322 <= p1324 <= p1326. Otherwise, a standard characteristic is used that contains the rated motor operating point. Refer to: p1310, p1311, p1320, p1321, p1323, p1324, p1325, p1326, p1327		
p1323[0...n]	U/f control programmable characteristic voltage 2 / Uf char U2		
	Access level: 3	Calculated: p0340 = 1	Data type: FloatingPoint32
	Can be changed: U, T	Scaling: -	Dyn. index: DDS, p0180
	Units group: -	Unit selection: -	Func. diagram: 6301
	Min	Max	Factory setting
	0.0 [Vrms]	10000.0 [Vrms]	0.0 [Vrms]
Description:	The programmable characteristic for the U/f control is defined using 4 points and 0 Hz/p1310. This parameter specifies the voltage of the second point along the characteristic.		
Dependency:	Refer to: p1310, p1311, p1320, p1321, p1322, p1324, p1325, p1326, p1327		
p1324[0...n]	U/f control programmable characteristic frequency 3 / Uf char f3		
	Access level: 3	Calculated: p0340 = 1	Data type: FloatingPoint32
	Can be changed: U, T	Scaling: -	Dyn. index: DDS, p0180
	Units group: -	Unit selection: -	Func. diagram: 6301
	Min	Max	Factory setting
	0.00 [Hz]	3000.00 [Hz]	0.00 [Hz]
Description:	The programmable characteristic for the U/f control is defined using 4 points and 0 Hz/p1310. This parameter specifies the voltage of the third point along the characteristic.		
Dependency:	The following applies to the frequency values: p1320 <= p1322 <= p1324 <= p1326. Otherwise, a standard characteristic is used that contains the rated motor operating point. Refer to: p1310, p1311, p1320, p1321, p1322, p1323, p1325, p1326, p1327		

p1325[0...n]	U/f control programmable characteristic voltage 3 / Uf char U3		
	Access level: 3	Calculated: p0340 = 1	Data type: FloatingPoint32
	Can be changed: U, T	Scaling: -	Dyn. index: DDS, p0180
	Units group: -	Unit selection: -	Func. diagram: 6301
	Min	Max	Factory setting
	0.0 [Vrms]	10000.0 [Vrms]	0.0 [Vrms]
Description:	The programmable characteristic for the U/f control is defined using 4 points and 0 Hz/p1310. This parameter specifies the voltage of the third point along the characteristic.		
Dependency:	Refer to: p1310, p1311, p1320, p1321, p1322, p1323, p1324, p1326, p1327		
p1326[0...n]	U/f control programmable characteristic frequency 4 / Uf char f4		
	Access level: 3	Calculated: p0340 = 1,3	Data type: FloatingPoint32
	Can be changed: U, T	Scaling: -	Dyn. index: DDS, p0180
	Units group: -	Unit selection: -	Func. diagram: 6301
	Min	Max	Factory setting
	0.00 [Hz]	10000.00 [Hz]	0.00 [Hz]
Description:	The programmable characteristic for the U/f control is defined using 4 points and 0 Hz/p1310. This parameter specifies the frequency of the fourth point along the characteristic.		
Dependency:	Selects the freely programmable characteristic using p1300 = 3. The following applies for the frequency values: p1320 <= p1322 <= p1324 <= p1326 Otherwise, a standard characteristic is used that contains the rated motor operating point. Refer to: p1310, p1311, p1320, p1321, p1322, p1323, p1324, p1325, p1327		
Note:	Linear interpolation is carried out between the points 0 Hz/p1310, p1320/p1321 ... p1326/p1327. For output frequencies above p1326, the characteristic is extrapolated with the gradient between the characteristic points p1324/p1325 and p1326/p1327. The voltage boost when accelerating (p1311) is also applied to the freely programmable U/f characteristic.		
p1327[0...n]	U/f control programmable characteristic voltage 4 / Uf char U4		
	Access level: 3	Calculated: p0340 = 1,3	Data type: FloatingPoint32
	Can be changed: U, T	Scaling: -	Dyn. index: DDS, p0180
	Units group: -	Unit selection: -	Func. diagram: 6301
	Min	Max	Factory setting
	0.0 [Vrms]	10000.0 [Vrms]	0.0 [Vrms]
Description:	The programmable characteristic for the U/f control is defined using 4 points and 0 Hz/p1310. This parameter specifies the voltage of the fourth point along the characteristic.		
Dependency:	Selects the freely programmable characteristic using p1300 = 3. Refer to: p1310, p1311, p1320, p1321, p1322, p1323, p1324, p1325, p1326		
Note:	Linear interpolation is carried out between the points 0 Hz/p1310, p1320/p1321 ... p1326/p1327. The voltage boost when accelerating (p1311) is also applied to the freely programmable U/f characteristic.		
p1330[0...n]	CI: U/f control independent voltage setpoint / Uf U_set independ.		
	Access level: 3	Calculated: -	Data type: U32 / FloatingPoint32
	Can be changed: T	Scaling: p2001	Dyn. index: CDS, p0170
	Units group: -	Unit selection: -	Func. diagram: 6301
	Min	Max	Factory setting
	-	-	0
Description:	Sets the signal source for the voltage setpoint for U/f control with an independent voltage setpoint (p1300 = 19).		
Dependency:	Selects the U/f control with independent voltage setpoint via p1300 = 19. Refer to: p1300		

p1331[0...n]	Voltage limiting / U_lim		
	Access level: 3	Calculated: -	Data type: FloatingPoint32
	Can be changed: U, T	Scaling: -	Dyn. index: DDS, p0180
	Units group: 5_1	Unit selection: p0505	Func. diagram: 6300
	Min 50.00 [Vrms]	Max 2000.00 [Vrms]	Factory setting 1000.00 [Vrms]
Description:	Limiting the voltage setpoint. This means that the output voltage can be reduced with respect to the calculated maximum voltage r0071 and the start of field weakening.		
Note:	The output voltage is only limited if, as a result of p1331, the maximum output voltage (r0071) is fallen below.		
p1334[0...n]	U/f control slip compensation starting frequency / Slip comp start		
	Access level: 3	Calculated: p0340 = 1	Data type: FloatingPoint32
	Can be changed: U, T	Scaling: -	Dyn. index: DDS, p0180
	Units group: -	Unit selection: -	Func. diagram: 6310
	Min 0.00 [Hz]	Max 3000.00 [Hz]	Factory setting 0.00 [Hz]
Description:	Sets the starting frequency of the slip compensation.		
Note:	For p1334 = 0, the starting frequency of the slip compensation is automatically set to 6 % of the rated motor frequency.		
p1335[0...n]	Slip compensation scaling / Slip comp scal		
	Access level: 3	Calculated: -	Data type: FloatingPoint32
	Can be changed: U, T	Scaling: -	Dyn. index: DDS, p0180
	Units group: -	Unit selection: -	Func. diagram: 6300, 6310
	Min 0.0 [%]	Max 600.0 [%]	Factory setting 0.0 [%]
Description:	Sets the setpoint for slip compensation in [%] referred to r0330 (motor rated slip). p1335 = 0.0 %: Slip compensation de-activated. p1335 = 100.0 %: The slip is completely compensated.		
Dependency:	Prerequisite for a precise slip compensation for p1335 = 100 % are the precise motor parameters (p0350 ... p0360). If the parameters are not precisely known, a precise compensation can be achieved by varying p1335. For U/f control types with Eco optimization (4 and 7), the slip compensation must be activated in order to guarantee correct operation.		
Note:	The purpose of slip compensation is to maintain a constant motor speed regardless of the applied load. The fact that the motor speed decreases with increasing load is a typical characteristic of induction motors. For synchronous motors, this effect does not occur and the parameter has no effect in this case. For the open-loop control modes p1300 = 5 and 6 (textile sector), the slip compensation is internally disabled in order to be able to precisely set the output frequency. If p1335 is changed during commissioning (p0010 > 0), then it is possible that the old value will no longer be able to be set. The reason for this is that the dynamic limits of p1335 have been changed by a parameter that was set when the drive was commissioned (e.g. p0300).		
p1336[0...n]	Slip compensation limit value / Slip comp lim val		
	Access level: 3	Calculated: -	Data type: FloatingPoint32
	Can be changed: U, T	Scaling: -	Dyn. index: DDS, p0180
	Units group: -	Unit selection: -	Func. diagram: 6310
	Min 0.00 [%]	Max 600.00 [%]	Factory setting 250.00 [%]
Description:	Sets the limit value for slip compensation in [%] referred to r0330 (motor rated slip).		

r1337	CO: Actual slip compensation / Slip comp act val		
	Access level: 3	Calculated: -	Data type: FloatingPoint32
	Can be changed: -	Scaling: PERCENT	Dyn. index: -
	Units group: -	Unit selection: -	Func. diagram: 6310
	Min	Max	Factory setting
	- [%]	- [%]	- [%]
Description:	Displays the actual compensated slip [%] referred to r0330 (rated motor slip).		
Dependency:	p1335 > 0 %: Slip compensation active. Refer to: p1335		
p1338[0...n]	U/f mode resonance damping gain / Uf Res_damp gain		
	Access level: 3	Calculated: p0340 = 1,3,4	Data type: FloatingPoint32
	Can be changed: U, T	Scaling: -	Dyn. index: DDS, p0180
	Units group: -	Unit selection: -	Func. diagram: 6300, 6310
	Min	Max	Factory setting
	0.00	100.00	0.00
Description:	Sets the gain for resonance damping for U/f control.		
Dependency:	Refer to: p1300, p1349		
Note:	The resonance damping function dampens active current oscillations that frequency occur under no-load conditions. The resonance damping is active in a range from approximately 6 % of the rated motor frequency (p0310). The shutoff frequency is determined by p1349. For the open-loop control modes p1300 = 5 and 6 (textile sectors), the resonance damping is internally disabled in order that the output frequency can be precisely set.		
p1340[0...n]	I_max frequency controller proportional gain / I_max_ctrl Kp		
	Access level: 3	Calculated: p0340 = 1,3,4	Data type: FloatingPoint32
	Can be changed: U, T	Scaling: -	Dyn. index: DDS, p0180
	Units group: -	Unit selection: -	Func. diagram: 6300
	Min	Max	Factory setting
	0.000	0.500	0.000
Description:	Sets the proportional gain of the I_max frequency controller. The I_max controller reduces the drive converter output current if the maximum current (r0067) is exceeded. In the U/f operating modes (p1300) for the I_max control, one controller is used that acts on the output frequency and one controller that acts on the output voltage. The frequency controller reduces the current by decreasing the converter output frequency. The frequency is reduced down to a minimum value (equaling twice rated slip). If the overcurrent condition cannot be successfully resolved using this measure, then the drive converter output voltage is reduced using the I_max voltage controller. Once the overcurrent condition has been resolved, the drive is accelerated along the ramp set in p1120 (ramp-up time).		
Dependency:	In the U/f modes (p1300) for textile applications and for external voltage setpoints, only the I_max voltage controller is used.		
Notice:	When de-activating the I_max controller, the following must be carefully observed: When the maximum current (r0067) is exceeded, the output current is no longer reduced. The drive is switched off when the overcurrent limits are exceeded.		
Note:	p1341 = 0: I_max frequency controller de-activated and I_max voltage controller activated over the complete speed range.		
p1341[0...n]	I_max frequency controller integral time / I_max_ctrl Tn		
	Access level: 4	Calculated: p0340 = 1,3,4	Data type: FloatingPoint32
	Can be changed: U, T	Scaling: -	Dyn. index: DDS, p0180
	Units group: -	Unit selection: -	Func. diagram: 6300
	Min	Max	Factory setting
	0.000 [s]	50.000 [s]	0.300 [s]
Description:	Sets the integral time for the I_max frequency controller.		
Dependency:	Refer to: p1340		

Note: When p1341 = 0, the current limiting controller influencing the frequency is de-activated and only the current limiting controller influencing the output voltage remains active (p1345, p1346).
This current limiting function is de-activated with p1340 = p1341 = 0.

r1343	CO: I_max controller frequency output / I_max_ctrl f_outp		
	Access level: 3	Calculated: -	Data type: FloatingPoint32
	Can be changed: -	Scaling: p2000	Dyn. index: -
	Units group: 3_1	Unit selection: p0505	Func. diagram: 6300
	Min	Max	Factory setting
	- [rpm]	- [rpm]	- [rpm]
Description:	Displays the effective frequency limit.		
Dependency:	Refer to: p1340		

r1344	I_max controller voltage output / I_max_ctrl U_outp		
	Access level: 4	Calculated: -	Data type: FloatingPoint32
	Can be changed: -	Scaling: p2001	Dyn. index: -
	Units group: 5_1	Unit selection: p0505	Func. diagram: 6300
	Min	Max	Factory setting
	- [Vrms]	- [Vrms]	- [Vrms]
Description:	Displays the amount by which the converter output voltage is reduced.		
Dependency:	Refer to: p1340		

p1345[0...n]	I_max voltage controller proportional gain / I_max_U_ctrl Kp		
	Access level: 4	Calculated: p0340 = 1,3,4	Data type: FloatingPoint32
	Can be changed: U, T	Scaling: -	Dyn. index: DDS, p0180
	Units group: -	Unit selection: -	Func. diagram: 6300
	Min	Max	Factory setting
	0.000	100000.000	0.000
Description:	Sets the proportional gain for the I_max voltage controller.		
Dependency:	Refer to: p1340		
Note:	The controller settings are also used in the current controller of the DC braking (refer to p1232).		

p1346[0...n]	I_max voltage controller integral time / I_max_U_ctrl Tn		
	Access level: 4	Calculated: p0340 = 1,3,4	Data type: FloatingPoint32
	Can be changed: U, T	Scaling: -	Dyn. index: DDS, p0180
	Units group: -	Unit selection: -	Func. diagram: 6300
	Min	Max	Factory setting
	0.000 [s]	50.000 [s]	0.030 [s]
Description:	Sets the integral time for the I_max voltage controller.		
Dependency:	Refer to: p1340		
Note:	The controller settings are also used in the current controller of the DC braking (refer to p1232). For p1346 = 0, the following applies: The integral time of the I_max voltage controller is de-activated.		

r1348	CO: U/f control Eco factor actual value / U/f Eco fac act v		
	Access level: 4	Calculated: -	Data type: FloatingPoint32
	Can be changed: -	Scaling: PERCENT	Dyn. index: -
	Units group: -	Unit selection: -	Func. diagram: 6300, 6301
	Min	Max	Factory setting
	- [%]	- [%]	- [%]
Description:	Displays the economic factor determined for optimizing motor consumption.		
Dependency:	Refer to: p1335		
Note:	The value is only determined for operating modes with Economic (p1300 = 4, 7).		

p1349[0...n]	U/f mode resonance damping maximum frequency / Uf res_damp f_max		
	Access level: 3	Calculated: p0340 = 1	Data type: FloatingPoint32
	Can be changed: U, T	Scaling: -	Dyn. index: DDS, p0180
	Units group: -	Unit selection: -	Func. diagram: 6310
	Min	Max	Factory setting
	0.00 [Hz]	3000.00 [Hz]	0.00 [Hz]
Description:	Sets the maximum output frequency for resonance damping for U/f control. Resonance damping is inactive above this output frequency.		
Dependency:	Refer to: p1338		
Note:	For p1349 = 0, the changeover limit is automatically set to 95 % of the rated motor frequency - however, to a max. of 45 Hz.		

p1351[0...n]	CO: Motor holding brake starting frequency / Brake f_start		
	Access level: 3	Calculated: -	Data type: FloatingPoint32
	Can be changed: U, T	Scaling: PERCENT	Dyn. index: DDS, p0180
	Units group: -	Unit selection: -	Func. diagram: 6310
	Min	Max	Factory setting
	-300.00 [%]	300.00 [%]	0.00 [%]
Description:	Sets the frequency setting value at the slip compensation output for starting up with motor holding brake.		
Dependency:	When setting p1351 > 0, then slip compensation is automatically activated (p1335 = 100 %). Refer to: p1302, p1352		
Notice:	A BICO interconnection to a parameter that belongs to a drive data set always acts on the effective data set.		
Note:	Connected with p1352 a value of 100% corresponds to the motor rated slip (r0330).		

p1352[0...n]	CI: Motor holding brake starting frequency signal source / Brake f_start		
	Access level: 3	Calculated: -	Data type: U32 / FloatingPoint32
	Can be changed: T	Scaling: PERCENT	Dyn. index: CDS, p0170
	Units group: -	Unit selection: -	Func. diagram: 6310
	Min	Max	Factory setting
	-	-	1351[0]
Description:	Sets the signal source for the frequency setting value at the slip compensation output for starting up with motor holding brake.		
Dependency:	Refer to: p1216		
Note:	A value of 100% corresponds to the motor rated slip (r0330). The setting of the starting frequency begins after magnetizing (see p0346, r0056.4) and ends once the brake opening time (p1216) has elapsed and the starting frequency (p1334) has been reached. A setting value of zero means that no setting procedure will take place.		


r1406.4...15	CO/BO: Control word speed controller / STW n_ctrl				
	Access level: 4	Calculated: -	Data type: Unsigned16		
	Can be changed: -	Scaling: -	Dyn. index: -		
	Units group: -	Unit selection: -	Func. diagram: -		
	Min	Max	Factory setting		
	-	-	-		
Description:	Display and BICO output for the control word of the speed controller.				
Bit field:	Bit	Signal name	1 signal	0 signal	FP
	04	Hold speed controller I component	Yes	No	6040
	05	Set speed controller I component	Yes	No	6040
	11	Droop enable	Yes	No	6030
	15	Set speed adaptation controller I component	Yes	No	-

r1407.0...23		CO/BO: Status word speed controller / ZSW n_ctrl			
Access level: 4		Calculated: -	Data type: Unsigned32		
Can be changed: -		Scaling: -	Dyn. index: -		
Units group: -		Unit selection: -	Func. diagram: 2522		
Min		Max	Factory setting		
-		-	-		
Description: Display and BICO output for the status word of the speed controller.					
Bit field:	Bit	Signal name	1 signal	0 signal	FP
	00	U/f control active	Yes	No	-
	01	Encoderless operation active	Yes	No	-
	02	Torque control active	Yes	No	6030, 6060, 8011
	03	Speed control active	Yes	No	6040
	05	Speed controller I component frozen	Yes	No	6040
	06	Speed controller I component set	Yes	No	6040
	07	Torque limit reached	Yes	No	6060
	08	Upper torque limit active	Yes	No	6060
	09	Lower torque limit active	Yes	No	6060
	10	Droop enabled	Yes	No	-
	11	Speed setpoint limited	Yes	No	6030
	12	Ramp-function generator set	Yes	No	-
	13	Encoderless operation due to a fault	Yes	No	-
	14	I/f control active	Yes	No	-
	15	Torque limit reached (without pre-control)	Yes	No	6060
	17	Speed limiting control active	Yes	No	6640
	23	Acceleration model activated	Yes	No	-

r1408.0...14		CO/BO: Status word current controller / ZSW I_ctrl			
Access level: 4		Calculated: -	Data type: Unsigned16		
Can be changed: -		Scaling: -	Dyn. index: -		
Units group: -		Unit selection: -	Func. diagram: 2530		
Min		Max	Factory setting		
-		-	-		
Description: Display and BICO output for the status word of the current controller.					
Bit field:	Bit	Signal name	1 signal	0 signal	FP
	00	Current controller act	Active	Not active	-
	01	Id control I component limiting	Active	Not active	6714
	03	Voltage limiting	Active	Not active	6714
	10	Speed adaptation limiting	Active	Not active	-
	12	Motor stalled	Yes	No	-
	13	Separately excited synchronous motor is excited	Yes	No	-
	14	Current model FEM: magnetizing excitation current limited to 0	Yes	No	-


r1438		CO: Speed controller speed setpoint / n_ctrl n_set		
Access level: 3		Calculated: -	Data type: FloatingPoint32	
Can be changed: -		Scaling: p2000	Dyn. index: -	
Units group: 3_1		Unit selection: p0505	Func. diagram: 3001, 6020, 6031	
Min		Max	Factory setting	
- [rpm]		- [rpm]	- [rpm]	
Description: Display and connector output of the speed setpoint after setpoint limiting for the P component of the speed controller. For U/f operation, the value that is displayed is of no relevance.				


r1445	CO: Actual speed smoothed / n_act smooth		
	Access level: 4	Calculated: -	Data type: FloatingPoint32
	Can be changed: -	Scaling: p2000	Dyn. index: -
	Units group: 3_1	Unit selection: p0505	Func. diagram: 6040
	Min	Max	Factory setting
	- [rpm]	- [rpm]	- [rpm]
Description:	Display and connector output for the actual smoothed speed actual value of the speed control.		
p1452[0...n]	Speed controller speed actual value smoothing time (sensorless) / n_C n_act T_s SL		
	Access level: 2	Calculated: -	Data type: FloatingPoint32
	Can be changed: U, T	Scaling: -	Dyn. index: DDS, p0180
	Units group: -	Unit selection: -	Func. diagram: 6020, 6040
	Min	Max	Factory setting
	0.00 [ms]	32000.00 [ms]	10.00 [ms]
Description:	Sets the smoothing time for the actual speed of the speed controller for encoderless closed-loop speed control.		
Note:	The smoothing must be increased if there is gear backlash. For longer smoothing times, the integral time of the speed controller must also be increased (e.g. using p0340 = 4).		
p1470[0...n]	Speed controller encoderless operation P-gain / n_ctrl SL Kp		
	Access level: 2	Calculated: p0340 = 1,3,4	Data type: FloatingPoint32
	Can be changed: U, T	Scaling: -	Dyn. index: DDS, p0180
	Units group: -	Unit selection: -	Func. diagram: 6040, 6050
	Min	Max	Factory setting
	0.000	999999.000	0.300
Description:	Sets the P gain for encoderless operation for the speed controller.		
Note:	The product p0341 x p0342 is taken into account when automatically calculating the speed controller (p0340 = 1, 3, 4).		
p1472[0...n]	Speed controller encoderless operation integral time / n_ctrl SL Tn		
	Access level: 2	Calculated: p0340 = 1,3,4	Data type: FloatingPoint32
	Can be changed: U, T	Scaling: -	Dyn. index: DDS, p0180
	Units group: -	Unit selection: -	Func. diagram: 6040, 6050
	Min	Max	Factory setting
	0.0 [ms]	100000.0 [ms]	20.0 [ms]
Description:	Set the integral time for encoderless operation for the speed controller.		
Note:	The integral component is stopped if the complete controller output or the sum of controller output and torque pre-control reach the torque limit.		
p1475[0...n]	CI: Speed controller torque setting value for motor holding brake / n_ctrl M_sv MHB		
	Access level: 3	Calculated: -	Data type: U32 / FloatingPoint32
	Can be changed: T	Scaling: p2003	Dyn. index: CDS, p0170
	Units group: -	Unit selection: -	Func. diagram: 6040
	Min	Max	Factory setting
	-	-	0
Description:	Sets the signal source for the torque setting value when starting up with motor holding brake.		
Dependency:	-		
Note:	The setting of the integral output of the speed controller begins after magnetizing (see p0346, r0056 bit 4) and ends at the end of the brake control opening time p1216. A setting value of zero means that no setting procedure will take place. If p1351 is used as a signal source for the torque setting value, the percentage value is interpreted in relation to the rated torque (p2003).		


r1482	CO: Speed controller I torque output / n_ctrl I-M_outp		
	Access level: 3	Calculated: -	Data type: FloatingPoint32
	Can be changed: -	Scaling: p2003	Dyn. index: -
	Units group: 7_1	Unit selection: p0505	Func. diagram: 5040, 5042, 5210, 6030, 6040
	Min	Max	Factory setting
	- [Nm]	- [Nm]	- [Nm]
Description:	Display and connector output for the torque setpoint at the output of the I speed controller.		
r1493	CO: Moment of inertia total, scaled / M_mom inert tot_sc		
	Access level: 3	Calculated: -	Data type: FloatingPoint32
	Can be changed: -	Scaling: -	Dyn. index: -
	Units group: 25_1	Unit selection: p0100	Func. diagram: 6031
	Min	Max	Factory setting
	- [kgm ²]	- [kgm ²]	- [kgm ²]
Description:	Display and connector output for the parameterized total moment of inertia. The value is calculated with ((p0341 * p0342) * p1496).		
p1496[0...n]	Acceleration pre-control scaling / a_prectrl scal		
	Access level: 3	Calculated: -	Data type: FloatingPoint32
	Can be changed: U, T	Scaling: -	Dyn. index: DDS, p0180
	Units group: -	Unit selection: -	Func. diagram: 6020, 6031
	Min	Max	Factory setting
	0.0 [%]	10000.0 [%]	0.0 [%]
Description:	Sets the scaling for the acceleration pre-control of the speed/velocity controller.		
Dependency:	Refer to: p0341, p0342		
Warning:	The acceleration precontrol r1518 is kept at the old value if the ramp-function generator tracking (r1199.5) is active or the ramp-function generator output is set (r1199.3). This is used to avoid torque peaks. Depending on the application, it may therefore be necessary to disable the ramp-function generator tracking (p1145 = 0) or the acceleration precontrol (p1496 = 0).		
			
Note:	The acceleration precontrol is set to zero, if the Vdc control is active (r0056.14/15). The parameter is set to 100% by the rotating measurement (refer to p1960). The acceleration pre-control may not be used if the speed setpoint manifests significant ripple (e.g. analog setpoint) and the rounding-off in the speed ramp-function generator is disabled. We also recommend that the pre-control mode is not used if there is gearbox backlash.		
p1498[0...n]	Load moment of inertia / Load M_inertia		
	Access level: 3	Calculated: -	Data type: FloatingPoint32
	Can be changed: U, T	Scaling: -	Dyn. index: DDS, p0180
	Units group: 25_1	Unit selection: p0100	Func. diagram: 5042, 5210
	Min	Max	Factory setting
	0.00000 [kgm ²]	100000.00000 [kgm ²]	0.00000 [kgm ²]
Description:	Sets the load moment of inertia.		
Note:	(p0341 * p0342) + p1498 influence the speed/torque pre-control in encoderless operation.		

p1502[0...n]	BI: Freeze moment of inertia estimator / J_estim freeze		
	Access level: 3	Calculated: -	Data type: U32 / Binary
	Can be changed: U, T	Scaling: -	Dyn. index: CDS, p0170
	Units group: -	Unit selection: -	Func. diagram: -
	Min	Max	Factory setting
	-	-	0
Description:	Sets the signal source to freeze the estimated moment of inertia. 0 signal: Moment of inertia estimator active 1 signal: Determined moment of inertia frozen.		
Dependency:	Refer to: p1300		
Note:	Only active when the "moment of inertia estimator" function module is active (r0108.10 = 1) and p1400.18 = 1. For operation with encoder, in addition, p1402.4 must be set to 1.		
r1508	CO: Torque setpoint before supplementary torque / M_set bef. M_suppl		
	Access level: 4	Calculated: -	Data type: FloatingPoint32
	Can be changed: -	Scaling: p2003	Dyn. index: -
	Units group: 7_1	Unit selection: p0505	Func. diagram: 6030, 6060, 6722
	Min	Max	Factory setting
	- [Nm]	- [Nm]	- [Nm]
Description:	Displays the torque setpoint before entering the supplementary torque. For closed-loop speed control, r1508 corresponds to the speed controller output.		
p1511[0...n]	CI: Supplementary torque 1 / M_suppl 1		
	Access level: 3	Calculated: -	Data type: U32 / FloatingPoint32
	Can be changed: T	Scaling: p2003	Dyn. index: CDS, p0170
	Units group: -	Unit selection: -	Func. diagram: 6020, 6060
	Min	Max	Factory setting
	-	-	0
Description:	Sets the signal source for supplementary torque 1.		
r1515	Supplementary torque total / M_suppl total		
	Access level: 4	Calculated: -	Data type: FloatingPoint32
	Can be changed: -	Scaling: p2003	Dyn. index: -
	Units group: 7_1	Unit selection: p0505	Func. diagram: 6020, 6060
	Min	Max	Factory setting
	- [Nm]	- [Nm]	- [Nm]
Description:	Displays the total supplementary torque. The displayed value is the total of supplementary torque values 1 and 2.		
r1516	CO: Supplementary torque and acceleration torque / M_suppl + M_accel		
	Access level: 2	Calculated: -	Data type: FloatingPoint32
	Can be changed: -	Scaling: p2003	Dyn. index: -
	Units group: 7_1	Unit selection: p0505	Func. diagram: 6060
	Min	Max	Factory setting
	- [Nm]	- [Nm]	- [Nm]
Description:	Displays the total supplementary torque and the accelerating torque. The displayed value is the total of the smoothed supplementary torque and the accelerating torque.		

p1517[0...n]	Accelerating torque smoothing time constant / M_accel T_smooth		
	Access level: 4	Calculated: -	Data type: FloatingPoint32
	Can be changed: U, T	Scaling: -	Dyn. index: DDS, p0180
	Units group: -	Unit selection: -	Func. diagram: 6060
	Min	Max	Factory setting
	0.00 [ms]	100.00 [ms]	4.00 [ms]
Description:	Sets the smoothing time constant of the accelerating torque.		
Note:	The acceleration pre-control is inhibited if the smoothing is set to the maximum value.		

p1520[0...n]	CO: Torque limit upper / M_max upper		
	Access level: 2	Calculated: p0340 = 1,3,5	Data type: FloatingPoint32
	Can be changed: U, T	Scaling: p2003	Dyn. index: DDS, p0180
	Units group: 7_1	Unit selection: p0505	Func. diagram: 6020, 6630
	Min	Max	Factory setting
	-1000000.00 [Nm]	2000000.00 [Nm]	0.00 [Nm]
Description:	Sets the fixed, upper torque limit.		
Dependency:	Refer to: p1521, p1522, p1523, r1538, r1539		
Danger:	Negative values when setting the upper torque limit (p1520 < 0) can result in the motor accelerating in an uncontrollable fashion.		
			
Notice:	A BICO interconnection to a parameter that belongs to a drive data set always acts on the effective data set.		
Note:	The torque limit is limited to 400% of the rated motor torque. When automatically calculating the motor/closed-loop control parameters (p0340), the torque limit is set to match the current limit (p0640).		

p1521[0...n]	CO: Torque limit lower / M_max lower		
	Access level: 2	Calculated: p0340 = 1,3,5	Data type: FloatingPoint32
	Can be changed: U, T	Scaling: p2003	Dyn. index: DDS, p0180
	Units group: 7_1	Unit selection: p0505	Func. diagram: 6020, 6630
	Min	Max	Factory setting
	-2000000.00 [Nm]	1000000.00 [Nm]	0.00 [Nm]
Description:	Sets the fixed, lower torque limit.		
Dependency:	Refer to: p1520, p1522, p1523		
Danger:	Positive values when setting the lower torque limit (p1521 > 0) can result in the motor accelerating in an uncontrollable fashion.		
			
Notice:	A BICO interconnection to a parameter that belongs to a drive data set always acts on the effective data set.		
Note:	The torque limit is limited to 400% of the rated motor torque. When automatically calculating the motor/closed-loop control parameters (p0340), the torque limit is set to match the current limit (p0640).		

p1522[0...n]	CI: Torque limit upper / M_max upper		
	Access level: 3	Calculated: -	Data type: U32 / FloatingPoint32
	Can be changed: T	Scaling: p2003	Dyn. index: CDS, p0170
	Units group: -	Unit selection: -	Func. diagram: 6630
	Min	Max	Factory setting
	-	-	1520[0]
Description:	Sets the signal source for the upper torque limit.		
Dependency:	Refer to: p1520, p1521, p1523		
Danger:	Negative values resulting from the signal source and scaling can cause the motor to accelerate in an uncontrolled manner.		
			

p1523[0...n]	CI: Torque limit lower / M_max lower		
Access level: 3	Calculated: -	Data type: U32 / FloatingPoint32	
Can be changed: T	Scaling: p2003	Dyn. index: CDS, p0170	
Units group: -	Unit selection: -	Func. diagram: 6020, 6630	
Min	Max	Factory setting	
-	-	1521[0]	

Description: Sets the signal source for the lower torque limit.

Dependency: Refer to: p1520, p1521, p1522

Danger: Positive values resulting from the signal source and scaling can cause the motor to accelerate in an uncontrolled manner.



p1524[0...n]	CO: Torque limit upper scaling / M_max upper scal		
Access level: 3	Calculated: -	Data type: FloatingPoint32	
Can be changed: U, T	Scaling: PERCENT	Dyn. index: DDS, p0180	
Units group: -	Unit selection: -	Func. diagram: 6630	
Min	Max	Factory setting	
-2000.0 [%]	2000.0 [%]	100.0 [%]	

Description: Sets the scaling for the upper torque limit.

Notice: A BICO interconnection to a parameter that belongs to a drive data set always acts on the effective data set.

Note: This parameter can be freely interconnected.

p1525[0...n]	CO: Torque limit lower scaling / M_max lower scal		
Access level: 3	Calculated: -	Data type: FloatingPoint32	
Can be changed: U, T	Scaling: PERCENT	Dyn. index: DDS, p0180	
Units group: -	Unit selection: -	Func. diagram: 6630	
Min	Max	Factory setting	
-2000.0 [%]	2000.0 [%]	100.0 [%]	

Description: Sets the scaling for the lower torque limit.

Notice: A BICO interconnection to a parameter that belongs to a drive data set always acts on the effective data set.

Note: This parameter can be freely interconnected.

r1526	CO: Torque limit upper without offset / M_max up w/o offs		
Access level: 3	Calculated: -	Data type: FloatingPoint32	
Can be changed: -	Scaling: p2003	Dyn. index: -	
Units group: 7_1	Unit selection: p0505	Func. diagram: 6060, 6630, 6640	
Min	Max	Factory setting	
- [Nm]	- [Nm]	- [Nm]	

Description: Display and connector output for the upper torque limit of all torque limits without offset.

Dependency: Refer to: p1520, p1521, p1522, p1523

r1527	CO: Torque limit lower without offset / M_max low w/o offs		
Access level: 3	Calculated: -	Data type: FloatingPoint32	
Can be changed: -	Scaling: p2003	Dyn. index: -	
Units group: 7_1	Unit selection: p0505	Func. diagram: 6060, 6630, 6640	
Min	Max	Factory setting	
- [Nm]	- [Nm]	- [Nm]	

Description: Display and connector output for the lower torque limit of all torque limits without offset.


Dependency: Refer to: p1520, p1521, p1522, p1523

p1530[0...n]	Power limit motoring / P_max mot		
	Access level: 2	Calculated: p0340 = 1,3,5	Data type: FloatingPoint32
	Can be changed: U, T	Scaling: -	Dyn. index: DDS, p0180
	Units group: 14_5	Unit selection: p0505	Func. diagram: 6640
	Min	Max	Factory setting
	0.00 [kW]	100000.00 [kW]	0.00 [kW]
Description:	Sets the power limit when motoring.		
Dependency:	Refer to: p0500, p1531		
Note:	The power limit is limited to 300% of the rated motor power.		
p1531[0...n]	Power limit regenerative / P_max gen		
	Access level: 2	Calculated: p0340 = 1,3,5	Data type: FloatingPoint32
	Can be changed: U, T	Scaling: -	Dyn. index: DDS, p0180
	Units group: 14_5	Unit selection: p0505	Func. diagram: 6640
	Min	Max	Factory setting
	-100000.00 [kW]	-0.01 [kW]	-0.01 [kW]
Description:	Sets the regenerative power limit.		
Dependency:	Refer to: r0206, p0500, p1530		
Note:	The power limit is limited to 300% of the rated motor power. For power units without energy recovery capability, the regenerative power limit is preset to 30 % of the power r0206[0]. For a braking resistor connected to the DC link (p0219 > 0), the power limit when generating is automatically adapted. For power units with energy recovery, the parameter is limited to the negative value of r0206[2].		
r1533	Current limit torque-generating total / Iq_max total		
	Access level: 4	Calculated: -	Data type: FloatingPoint32
	Can be changed: -	Scaling: p2002	Dyn. index: -
	Units group: 6_2	Unit selection: p0505	Func. diagram: 6640
	Min	Max	Factory setting
	- [Arms]	- [Arms]	- [Arms]
Description:	Displays the maximum torque/force generating current as a result if all current limits.		
r1538	CO: Upper effective torque limit / M_max upper eff		
	Access level: 2	Calculated: -	Data type: FloatingPoint32
	Can be changed: -	Scaling: p2003	Dyn. index: -
	Units group: 7_1	Unit selection: p0505	Func. diagram: 6020, 6640
	Min	Max	Factory setting
	- [Nm]	- [Nm]	- [Nm]
Description:	Display and connector output for the actual effective upper torque limit.		
Note:	The effective upper torque limit is reduced with respect to the selected upper torque limit p1520, if the current limit p0640 is reduced or the rated magnetizing current of the induction motor p0320 is increased. This may be the case for rotating measurements (see p1960). The torque limit p1520 can be re-calculated using p0340 = 1, 3 or 5.		
r1539	CO: Lower effective torque limit / M_max lower eff		
	Access level: 2	Calculated: -	Data type: FloatingPoint32
	Can be changed: -	Scaling: p2003	Dyn. index: -
	Units group: 7_1	Unit selection: p0505	Func. diagram: 6020, 6640
	Min	Max	Factory setting
	- [Nm]	- [Nm]	- [Nm]
Description:	Display and connector output for the actual effective lower torque limit.		
Note:	The effective lower torque limit is reduced with respect to the selected lower torque limit p1521, if the current limit p0640 is reduced or the rated magnetizing current of the induction motor p0320 is increased.		

2 Parameters

2.2 List of parameters


This may be the case for rotating measurements (see p1960).
The torque limit p1520 can be re-calculated using p0340 = 1, 3 or 5.

r1547[0...1]	CO: Torque limit for speed controller output / M_max outp n_ctrl		
	Access level: 3	Calculated: -	Data type: FloatingPoint32
	Can be changed: -	Scaling: p2003	Dyn. index: -
	Units group: 7_1	Unit selection: p0505	Func. diagram: 6060
	Min - [Nm]	Max - [Nm]	Factory setting - [Nm]
Description:	Displays the torque limit to limit the speed controller output.		
Index:	[0] = Upper limit [1] = Lower limit		
p1552[0...n]	CI: Torque limit upper scaling without offset / M_max up w/o offs		
	Access level: 3	Calculated: -	Data type: U32 / FloatingPoint32
	Can be changed: T	Scaling: PERCENT	Dyn. index: CDS, p0170
	Units group: -	Unit selection: -	Func. diagram: 6060
	Min -	Max -	Factory setting 1
Description:	Sets the signal source for the scaling of the upper torque limiting to limit the speed controller output without taking into account the current and power limits.		
p1553[0...n]	Stall limit scaling / Stall limit scal		
	Access level: 4	Calculated: -	Data type: FloatingPoint32
	Can be changed: U, T	Scaling: -	Dyn. index: DDS, p0180
	Units group: -	Unit selection: -	Func. diagram: -
	Min 80.0 [%]	Max 130.0 [%]	Factory setting 100.0 [%]
Description:	Sets the scaling of the stall limit for the start of field weakening.		
Danger:	If the stall current limit is increased, then the q current setpoint can exceed the stall limit; as a consequence, a hysteresis effect can occur when loading and unloading.		
			
p1554[0...n]	CI: Torque limit lower scaling without offset / M_max low w/o offs		
	Access level: 3	Calculated: -	Data type: U32 / FloatingPoint32
	Can be changed: T	Scaling: PERCENT	Dyn. index: CDS, p0170
	Units group: -	Unit selection: -	Func. diagram: 6060
	Min -	Max -	Factory setting 1
Description:	Sets the signal source for the scaling of the lower torque limiting to limit the speed controller output without taking into account the current and power limits.		
p1560[0...n]	Moment of inertia estimator accelerating torque threshold value / J_est M thresh		
	Access level: 3	Calculated: -	Data type: FloatingPoint32
	Can be changed: C(3), U, T	Scaling: -	Dyn. index: DDS, p0180
	Units group: -	Unit selection: -	Func. diagram: -
	Min 0.10 [%]	Max 100.00 [%]	Factory setting 10.00 [%]
Description:	Sets the threshold for the accelerating torque for the moment of inertia estimator. The moment of inertia estimator is active above this threshold. The value is referred to the rated torque (r0333).		
Dependency:	Refer to: p1561, p1562		
Note:	The moment of inertia estimation is inaccurate at very low accelerating torques/accelerating forces. As a consequence, below this threshold, the estimator does not provide any new values.		

p1561[0...n]	Moment of inertia estimator change time moment of inertia / J_est t J		
	Access level: 3	Calculated: p0340 = 1,3,4	Data type: FloatingPoint32
	Can be changed: U, T	Scaling: -	Dyn. index: DDS, p0180
	Units group: -	Unit selection: -	Func. diagram: -
	Min	Max	Factory setting
	10.00 [ms]	5000.00 [ms]	500.00 [ms]
Description:	Sets the change time for the moment of inertia for the moment of inertia estimator. Lower values mean that faster changes are possible. For a higher value, this estimated value is smoothed more significantly.		
Dependency:	Refer to: p1560, p1562		
p1562[0...n]	Moment of inertia estimator change time load / J_est t load		
	Access level: 3	Calculated: p0340 = 1,3,4	Data type: FloatingPoint32
	Can be changed: U, T	Scaling: -	Dyn. index: DDS, p0180
	Units group: -	Unit selection: -	Func. diagram: -
	Min	Max	Factory setting
	5.00 [ms]	5000.00 [ms]	10.00 [ms]
Description:	Sets the change time for the load torque/load force for the moment of inertia estimator. Lower values mean that faster changes are possible. For a higher value, this estimated value is smoothed more significantly.		
Dependency:	Refer to: p1560, p1561		
p1563[0...n]	CO: Mom. of inertia estimator load torque direction of rotation pos. / J_est M pos		
	Access level: 3	Calculated: -	Data type: FloatingPoint32
	Can be changed: U, T	Scaling: p2003	Dyn. index: DDS, p0180
	Units group: -	Unit selection: -	Func. diagram: -
	Min	Max	Factory setting
	-340.28235E36 [Nm]	340.28235E36 [Nm]	0.00 [Nm]
Description:	Display and connector output for the monitored load torque in the positive direction of rotation. The moment of inertia estimator estimates the load torque drawn while the speed is constant.		
Dependency:	Refer to: p1560, p1561		
p1564[0...n]	CO: Mom. of inertia estimator load torque direction of rotation neg. / J_est M neg		
	Access level: 3	Calculated: -	Data type: FloatingPoint32
	Can be changed: U, T	Scaling: p2003	Dyn. index: DDS, p0180
	Units group: -	Unit selection: -	Func. diagram: -
	Min	Max	Factory setting
	-340.28235E36 [Nm]	340.28235E36 [Nm]	0.00 [Nm]
Description:	Display and connector output for the monitored load torque in the negative direction of rotation. The moment of inertia estimator estimates the load torque drawn while the speed is constant.		
Dependency:	Refer to: p1560, p1561		
p1570[0...n]	CO: Flux setpoint / Flex setp		
	Access level: 3	Calculated: -	Data type: FloatingPoint32
	Can be changed: U, T	Scaling: PERCENT	Dyn. index: DDS, p0180
	Units group: -	Unit selection: -	Func. diagram: 6722
	Min	Max	Factory setting
	50.0 [%]	200.0 [%]	100.0 [%]
Description:	Sets the flux setpoint referred to rated motor flux.		
Notice:	A BICO interconnection to a parameter that belongs to a drive data set always acts on the effective data set.		
Note:	For p1570 > 100%, the flux setpoint increases as a function of the load from 100% (no-load operation) to the setting in p1570 (above rated motor torque), if p1580 > 0% has been set.		

p1580[0...n]	Efficiency optimization / Efficiency opt.		
	Access level: 3	Calculated: -	Data type: FloatingPoint32
	Can be changed: U, T	Scaling: -	Dyn. index: DDS, p0180
	Units group: -	Unit selection: -	Func. diagram: 6722
	Min	Max	Factory setting
	0 [%]	100 [%]	0 [%]
Description:	Sets the efficiency optimization. When optimizing the efficiency, the flux setpoint of the closed-loop control is adapted as a function of the load. For p1580 = 100 %, under no-load operating conditions, the flux setpoint is reduced to 50 % of the rated motor flux.		
Note:	It only makes sense to activate this function if the dynamic response requirements of the speed controller are low. In order to avoid oscillations, if required, the speed controller parameters should be adapted (increase Tn, reduce Kp). Further, the smoothing time of the flux setpoint filter (p1582) should be increased.		
p1582[0...n]	Flux setpoint smoothing time / Flux setp T_smth		
	Access level: 4	Calculated: p0340 = 1,3	Data type: FloatingPoint32
	Can be changed: U, T	Scaling: -	Dyn. index: DDS, p0180
	Units group: -	Unit selection: -	Func. diagram: 6722, 6724
	Min	Max	Factory setting
	4 [ms]	5000 [ms]	15 [ms]
Description:	Sets the smoothing time for the flux setpoint.		
p1586[0...n]	Field weakening characteristic scaling / Field weak scal		
	Access level: 4	Calculated: -	Data type: FloatingPoint32
	Can be changed: U, T	Scaling: -	Dyn. index: DDS, p0180
	Units group: -	Unit selection: -	Func. diagram: -
	Min	Max	Factory setting
	80.0 [%]	120.0 [%]	100.0 [%]
Description:	Sets the scaling of the pre-control characteristic for the start of field weakening. For values above 100 % and for partial load situations, the field weakening starts at higher speeds.		
Note:	If the start of field weakening is shifted to lower speeds, then the voltage reserve is increased for partial load situations. If the start of field weakening is shifted to higher speeds, the voltage reserve is appropriately reduced so that for fast load changes, it can be expected that this will have a negative impact on the dynamic performance.		
p1590[0...n]	Flux controller P gain / Flux controller Kp		
	Access level: 4	Calculated: p0340 = 1,3,4	Data type: FloatingPoint32
	Can be changed: U, T	Scaling: -	Dyn. index: DDS, p0180
	Units group: -	Unit selection: -	Func. diagram: 6723
	Min	Max	Factory setting
	0.0	999999.0	10.0
Description:	Sets the proportional gain for the flux controller.		
Note:	The value is automatically pre-assigned dependent on the motor when the drive system is first commissioned. When calculating controller parameters (p0340 = 4), this value is re-calculated.		

r1598	CO: Total flux setpoint / Flux setp total		
	Access level: 3	Calculated: -	Data type: FloatingPoint32
	Can be changed: -	Scaling: PERCENT	Dyn. index: -
	Units group: -	Unit selection: -	Func. diagram: 6714, 6723, 6724, 6725, 6726, 8018
	Min	Max	Factory setting
	- [%]	- [%]	- [%]
Description:	Displays the effective flux setpoint. The value is referred to the rated motor flux.		
p1610[0...n]	Torque setpoint static (sensorless) / M_set static		
	Access level: 2	Calculated: -	Data type: FloatingPoint32
	Can be changed: U, T	Scaling: -	Dyn. index: DDS, p0180
	Units group: -	Unit selection: -	Func. diagram: 6700, 6721, 6722, 6726
	Min	Max	Factory setting
	-200.0 [%]	200.0 [%]	50.0 [%]
Description:	Sets the static torque setpoint for sensorless vector control (SLVC). This parameter is entered as a percentage referred to the rated motor torque. For sensorless vector control, when the motor model is shut down, an absolute current is impressed. p1610 represents the maximum load that occurs at a constant setpoint speed.		
Notice:	p1610 should always be set to at least 10 % higher than the maximum steady-state load that can occur.		
Note:	For p1610 = 0%, a current setpoint is calculated that corresponds to the no-load case (ASM: rated magnetizing current). For p1610 = 100 %, a current setpoint is calculated that corresponds to the rated motor torque. Negative values are converted into positive setpoints in the case of induction and permanent-magnet synchronous motors.		
p1611[0...n]	Additional acceleration torque (sensorless) / M_suppl_accel		
	Access level: 2	Calculated: p0340 = 1	Data type: FloatingPoint32
	Can be changed: U, T	Scaling: -	Dyn. index: DDS, p0180
	Units group: -	Unit selection: -	Func. diagram: 6700, 6721, 6722, 6726
	Min	Max	Factory setting
	0.0 [%]	200.0 [%]	30.0 [%]
Description:	Enters the dynamic torque setpoint for the low-speed range for sensorless vector control (SLVC). This parameter is entered as a percentage referred to the rated motor torque.		
Note:	When accelerating and braking p1611 is added to p1610 and the resulting total torque is converted into an appropriate current setpoint and controlled. For pure accelerating torques, it is always favorable to use the torque pre-control of the speed controller (p1496).		
r1614	EMF maximum / EMF max		
	Access level: 4	Calculated: -	Data type: FloatingPoint32
	Can be changed: -	Scaling: p2001	Dyn. index: -
	Units group: 5_1	Unit selection: p0505	Func. diagram: 6725
	Min	Max	Factory setting
	- [Vrms]	- [Vrms]	- [Vrms]
Description:	Displays the actual maximum possible electromotive force (EMF) of the separately-excited synchronous motor.		
Dependency:	The value is the basis for the flux setpoint. The maximum possible EMF depends on the following factors: - Actual DC link voltage (r0070). - Maximum modulation depth (p1803). - Field-generating and torque-generating current setpoint.		

p1616[0...n]	Current setpoint smoothing time / I_set T_smooth		
	Access level: 4	Calculated: p0340 = 1,3	Data type: FloatingPoint32
	Can be changed: U, T	Scaling: -	Dyn. index: DDS, p0180
	Units group: -	Unit selection: -	Func. diagram: 6721, 6722
	Min	Max	Factory setting
	4 [ms]	10000 [ms]	40 [ms]
Description:	Sets the smoothing time for the current setpoint. The current setpoint is generated from p1610 and p1611.		
Note:	This parameter is only effective in the range where current is injected for sensorless vector control.		
r1624	Field-generating current setpoint total / Id_setp total		
	Access level: 4	Calculated: -	Data type: FloatingPoint32
	Can be changed: -	Scaling: p2002	Dyn. index: -
	Units group: 6_2	Unit selection: p0505	Func. diagram: 6640, 6721, 6723, 6727
	Min	Max	Factory setting
	- [Arms]	- [Arms]	- [Arms]
Description:	Displays the limited field-generating current setpoint (Id_setp). This value comprises the steady-state field-generating current setpoint and a dynamic component that is only set when changes are made to the flux setpoint.		
p1730[0...n]	Isd controller integral component shutdown threshold / Isd ctrl Tn shutd		
	Access level: 4	Calculated: p0340 = 1,3,4	Data type: FloatingPoint32
	Can be changed: U, T	Scaling: -	Dyn. index: DDS, p0180
	Units group: -	Unit selection: -	Func. diagram: -
	Min	Max	Factory setting
	30 [%]	150 [%]	30 [%]
Description:	Sets the speed activation threshold (referred to the synchronous speed) for pure quadrature branch operation of the closed-loop current control. The d current controller is only effective as P controller for speeds greater than the threshold value.		
Warning:	For settings above 80%, the d current controller is active up to the field weakening limit. When operated at the voltage limit, this can result in an unstable behavior. In order to avoid this, the dynamic voltage reserve p1574 should be increased.		
			
Note:	The parameter value is referred to the synchronous rated motor speed.		
r1732[0...1]	CO: Direct-axis voltage setpoint / Direct U set		
	Access level: 3	Calculated: -	Data type: FloatingPoint32
	Can be changed: -	Scaling: p2001	Dyn. index: -
	Units group: 5_1	Unit selection: p0505	Func. diagram: 5700, 5714, 6714, 5718
	Min	Max	Factory setting
	- [Vrms]	- [Vrms]	- [Vrms]
Description:	Display and connector output for the direct axis voltage setpoint Ud.		
Index:	[0] = Unsmoothed [1] = Smoothed with p0045		

r1733[0...1]	CO: Quadrature-axis voltage setpoint / Quad U set		
	Access level: 3	Calculated: -	Data type: FloatingPoint32
	Can be changed: -	Scaling: p2001	Dyn. index: -
	Units group: 5_1	Unit selection: p0505	Func. diagram: 5700, 5714, 5718, 6714, 6719
	Min - [Vrms]	Max - [Vrms]	Factory setting - [Vrms]
Description:	Display and connector output for the quadrature axis voltage setpoint Uq.		
Index:	[0] = Unsmoothed [1] = Smoothed with p0045		
p1745[0...n]	Motor model error threshold stall detection / MotMod ThreshStall		
	Access level: 3	Calculated: p0340 = 1,3	Data type: FloatingPoint32
	Can be changed: U, T	Scaling: -	Dyn. index: DDS, p0180
	Units group: -	Unit selection: -	Func. diagram: -
	Min 0.0 [%]	Max 1000.0 [%]	Factory setting 5.0 [%]
Description:	Sets the fault threshold in order to detect a motor that has stalled. If the error signal (r1746) exceeds the parameterized error threshold, then status signal r1408.12 is set to 1.		
Dependency:	If a stalled drive is detected (r1408.12 = 1), fault F07902 is output after the delay time.		
Note:	Monitoring is only effective in the low speed range.		
r1746	Motor model error signal stall detection / MotMod sig stall		
	Access level: 4	Calculated: -	Data type: FloatingPoint32
	Can be changed: -	Scaling: -	Dyn. index: -
	Units group: -	Unit selection: -	Func. diagram: -
	Min - [%]	Max - [%]	Factory setting - [%]
Description:	Signal to initiate stall detection		
Note:	The signal is not calculated while magnetizing and only calculated in the low speed range.		
p1749[0...n]	Motor model increase changeover speed encoderless operation / Incr n_chng no enc		
	Access level: 4	Calculated: p0340 = 1,3	Data type: FloatingPoint32
	Can be changed: U, T	Scaling: -	Dyn. index: DDS, p0180
	Units group: -	Unit selection: -	Func. diagram: -
	Min 0.0 [%]	Max 99.0 [%]	Factory setting 50.0 [%]
Description:	Minimum operating frequency for rugged operation. If the minimum value is greater than the lower changeover limit parameterized with p1755 * (1 - 2 * p1756), then the difference is displayed using p1749 * p1755. The parameter value cannot be changed.		
Dependency:	Refer to: p1755, p1756		
p1755[0...n]	Motor model changeover speed encoderless operation / MotMod n_chgSnsorl		
	Access level: 4	Calculated: p0340 = 1,3	Data type: FloatingPoint32
	Can be changed: U, T	Scaling: -	Dyn. index: DDS, p0180
	Units group: 3_1	Unit selection: p0505	Func. diagram: -
	Min 0.00 [rpm]	Max 210000.00 [rpm]	Factory setting 210000.00 [rpm]
Description:	Sets the speed to change over the motor model to encoderless operation.		
Dependency:	Refer to: p1749, p1756		
Notice:	The changeover speed represents the steady-state minimum speed up to which the motor model can be used in sensorless steady-state operation.		

2 Parameters

2.2 List of parameters

If the stability is not adequate close to the changeover speed, it may make sense to increase the parameter value. On the other hand, very low changeover speeds can negatively impact the stability.

Note: The changeover speed applies for the changeover between open-loop and closed-loop control mode.

p1756	Motor model changeover speed hysteresis encoderless operation / MotMod n_chgov hys		
Access level: 4	Calculated: p0340 = 1,3	Data type: FloatingPoint32	
Can be changed: U, T	Scaling: -	Dyn. index: -	
Units group: -	Unit selection: -	Func. diagram: 6730, 6731	
Min	Max	Factory setting	
0.0 [%]	95.0 [%]	50.0 [%]	
Description:	Sets the hysteresis for the changeover speed of the motor model for encoderless operation.		
Dependency:	Refer to: p1755		
Note:	The parameter value refers to p1755. Extremely small hystereses can have a negative impact on the stability in the changeover speed range, and very high hystereses in the standstill range.		

p1764[0...n]	Motor model without encoder speed adaptation Kp / MotMod woE n_adaKp		
Access level: 4	Calculated: p0340 = 1,3,4	Data type: FloatingPoint32	
Can be changed: U, T	Scaling: -	Dyn. index: DDS, p0180	
Units group: -	Unit selection: -	Func. diagram: 6730	
Min	Max	Factory setting	
0.000	100000.000	1000.000	
Description:	Sets the proportional gain of the controller for speed adaptation without encoder.		

p1767[0...n]	Motor model without encoder speed adaptation Tn / MotMod woE n_adaTn		
Access level: 4	Calculated: p0340 = 1,3,4	Data type: FloatingPoint32	
Can be changed: U, T	Scaling: -	Dyn. index: DDS, p0180	
Units group: -	Unit selection: -	Func. diagram: 6730	
Min	Max	Factory setting	
1 [ms]	200 [ms]	4 [ms]	
Description:	Sets the integral time of the controller for speed adaptation without encoder		

p1780[0...n]	Motor model adaptation configuration / MotMod adapt conf		
Access level: 3	Calculated: p0340 = 1,3,4	Data type: Unsigned16	
Can be changed: U, T	Scaling: -	Dyn. index: DDS, p0180	
Units group: -	Unit selection: -	Func. diagram: -	
Min	Max	Factory setting	
-	-	0000 0000 0101 1100 bin	

Description: Sets the configuration for the adaptation circuit of the motor model.
Induction motor (ASM): Rs, Lh, and offset compensation.
Permanent magnet synchronous motor (PEM): kT

Bit field:	Bit	Signal name	1 signal	0 signal	FP
	01	Select motor model ASM Rs adaptation	Yes	No	-
	02	Select motor model ASM Lh adaptation	Yes	No	-
	03	Select motor model PEM kT adaptation	Yes	No	-
	04	Select motor model offset adaptation	Yes	No	-
	06	Select pole position identification PEM encoderless	Yes	No	-
	07	Select T(valve) with Rs adaptation	Yes	No	-
	10	Filter time combination current like current ctrl integral time	Yes	No	-
	12	Start PEM sensorless with last angle	Yes	No	-

13	Fast pulsed pole position identification	Yes	No	-
14	Delay of the precontrol speed to the motor model	Yes	No	-
15	RESM: Linear Q flux model	active	not active	-

Dependency:

In U/f characteristic operating mode only bit 7 is relevant.

For active motor model feedback (see p1784), the Lh adaptation is internally deactivated automatically.

Note:

ASM: Induction motor

PEM: Permanent magnet synchronous motor

When selecting the compensation of the valve interlocking via Rs (bit 7), the compensation in the gating unit is deactivated and is instead taken into account in the motor model.

In order that the correction values of the Rs, Lh and kT adaptation (selected using Bit 0 ... Bit 2) are correctly accepted when changing over the drive data set, a dedicated motor number must be entered into p0826 for each different motor.

Re bit 12 (only for synchronous motors and bit 6 = 1):

The pole position identification is only carried out after power on and after the motor has coasted down. The switch-off speed p1226 should be as low as possible. If the power unit is switched off when the motor is stationary, then the next time that the power unit is switched on, the old angle is used. The precondition applies that while the power unit is switched off the motor does not rotate.

The duration of the pole position identification is shortened using bit 13. As a consequence, the pole wheel angle error can be slightly greater.

p1784[0...n]**Motor model feedback scaling / MotMod fdbk scal**

Access level: 4	Calculated: p0340 = 1,3,4	Data type: FloatingPoint32
Can be changed: U, T	Scaling: -	Dyn. index: DDS, p0180
Units group: -	Unit selection: -	Func. diagram: -
Min	Max	Factory setting
0.0 [%]	1000.0 [%]	0.0 [%]

Description:

Sets the scaling for model fault feedback.

Note:

Feeding back the measured model fault to the model states increases the control stability and makes the motor model rugged against parameter errors.

When feedback is selected (p1784 > 0), Lh adaptation is not effective.

r1787[0...n]**Motor model Lh adaptation corrective value / MotMod Lh corr**

Access level: 4	Calculated: -	Data type: FloatingPoint32
Can be changed: -	Scaling: -	Dyn. index: DDS, p0180
Units group: -	Unit selection: -	Func. diagram: -
Min	Max	Factory setting
- [mH]	- [mH]	- [mH]

Description:

Displays the corrective value for the Lh adaptation of the motor model for an induction motor (ASM).

Dependency:

Refer to: p0826, p1780

Note:

The adaptation result is reset if the magnetizing inductance of the induction motor is changed (p0360, r0382).

p1800[0...n]**Pulse frequency setpoint / Pulse freq setp**

Access level: 2	Calculated: -	Data type: FloatingPoint32
Can be changed: U, T	Scaling: -	Dyn. index: DDS, p0180
Units group: -	Unit selection: -	Func. diagram: 8014
Min	Max	Factory setting
2.000 [kHz]	16.000 [kHz]	4.000 [kHz]

Description:

Sets the pulse frequency for the converter.

This parameter is pre-set to the rated converter value when the drive is first commissioned.

Dependency:

Refer to: p0230

Note:

The maximum and minimum possible pulse frequency is also determined by the power unit being used (minimum pulse frequency: 2 kHz or 4 kHz).

When the pulse frequency is increased, depending on the particular power unit, the maximum output current can be reduced (derating, refer to r0067).

2 Parameters

2.2 List of parameters

If a sine-wave filter is parameterized as output filter (p0230 = 3), then the pulse frequency cannot be set below the minimum value required for the filter.

For operation with output reactors, the pulse frequency is limited to 4 kHz (see p0230).

If p1800 is changed during commissioning (p0010 > 0), then it is possible that the old value will no longer be able to be set. The reason for this is that the dynamic limits of p1800 have been changed by a parameter that was set when the drive was commissioned (e.g. p1082).

r1801[0...1]	CO: Pulse frequency / Pulse frequency		
	Access level: 2	Calculated: -	Data type: FloatingPoint32
	Can be changed: -	Scaling: p2000	Dyn. index: -
	Units group: -	Unit selection: -	Func. diagram: -
	Min	Max	Factory setting
	- [kHz]	- [kHz]	- [kHz]
Description:	Display and connector output for the actual converter switching frequency.		
Index:	[0] = Actual [1] = Modulator minimum value		
Note:	The selected pulse frequency (p1800) may be reduced if the drive converter has an overload condition (p0290).		

p1802[0...n]	Modulator mode / Modulator mode		
	Access level: 4	Calculated: p0340 = 1,3,5	Data type: Integer16
	Can be changed: T	Scaling: -	Dyn. index: DDS, p0180
	Units group: -	Unit selection: -	Func. diagram: -
	Min	Max	Factory setting
	0	10	0
Description:	Sets the modulator mode.		
Value:	0: Automatic changeover SVM/FLB 2: Space vector modulation (SVM) 3: SVM without overcontrol 4: SVM/FLB without overcontrol 10: SVM/FLB with modulation depth reduction		
Dependency:	If a sine-wave filter is parameterized as output filter (p0230 = 3, 4), then only space vector modulation without overcontrol can be selected as modulation type (p1802 = 3). Refer to: p0230, p0500		
Note:	When modulation modes are enabled that could lead to overmodulation (p1802 = 0, 2, 10), the modulation depth must be limited using p1803 (default, p1803 < 100 %). The higher the overmodulation, the greater the current ripple and torque ripple. When changing p1802[x], the values for all of the other existing indices are also changed.		

p1803[0...n]	Maximum modulation depth / Modulat depth max		
	Access level: 4	Calculated: p0340 = 1,3,5	Data type: FloatingPoint32
	Can be changed: U, T	Scaling: -	Dyn. index: DDS, p0180
	Units group: -	Unit selection: -	Func. diagram: 6723
	Min	Max	Factory setting
	20.0 [%]	150.0 [%]	106.0 [%]
Description:	Defines the maximum modulation depth.		
Dependency:	Refer to: p0500		
Note:	p1803 = 100% is the overcontrol limit for space vector modulation (for an ideal drive converter without any switching delay).		

p1806[0...n]	Filter time constant Vdc correction / T_filt Vdc_corr				
	Access level: 3	Calculated: p0340 = 1,3	Data type: FloatingPoint32		
	Can be changed: U, T	Scaling: -	Dyn. index: DDS, p0180		
	Units group: -	Unit selection: -	Func. diagram: -		
	Min	Max	Factory setting		
	0.0 [ms]	10000.0 [ms]	0.0 [ms]		
Description:	Sets the filter time constant of the DC link voltage used to calculate the modulation depth.				
p1820[0...n]	Reverse the output phase sequence / Outp_ph_seq rev				
	Access level: 2	Calculated: -	Data type: Integer16		
	Can be changed: C(2), T	Scaling: -	Dyn. index: DDS, p0180		
	Units group: -	Unit selection: -	Func. diagram: -		
	Min	Max	Factory setting		
	0	1	0		
Description:	Sets the phase sequence reversal for the motor without setpoint change. If the motor does not rotate in the required direction, then the output phase sequence can be reversed using this parameter. This means that the direction of the motor is reversed without the setpoint being changed.				
Value:	0: OFF 1: ON				
Note:	This setting can only be changed when the pulses are inhibited.				
p1822	Power unit line phases monitoring tolerance time / PU ph monit t_tol				
	Access level: 4	Calculated: -	Data type: Unsigned32		
	Can be changed: T	Scaling: -	Dyn. index: -		
	Units group: -	Unit selection: -	Func. diagram: -		
	Min	Max	Factory setting		
	500 [ms]	540000 [ms]	1000 [ms]		
Description:	Sets the tolerance time for line phase monitoring for blocksize power units. If a line phase fault is present for longer than this tolerance time, then a corresponding fault is output.				
Notice:	When operating with a failed line phase, depending on the active power, values higher than the default value can either immediately damage the power unit or damage it over the long term.				
Note:	For the setting p1822 = maximum value, line phase monitoring is deactivated.				
r1838.0...15	CO/BO: Gating unit status word 1 / Gating unit ZSW1				
	Access level: 3	Calculated: -	Data type: Unsigned16		
	Can be changed: -	Scaling: -	Dyn. index: -		
	Units group: -	Unit selection: -	Func. diagram: -		
	Min	Max	Factory setting		
	-	-	-		
Description:	Displays status word 1 of the power unit.				
Bit field:	Bit	Signal name	1 signal	0 signal	FP
	00	Fault time-critical	ON	OFF	-
	01	Gating unit mode bit 0	ON	OFF	-
	02	Pulse enable	ON	OFF	-
	03	Upper shutdown path	Inactive	Active	-
	04	Lower shutdown path	Inactive	Active	-
	05	Gating unit mode bit 1	ON	OFF	-
	06	Gating unit mode bit 2	ON	OFF	-
	07	Brake state	ON	OFF	-
	08	Brake diagnostics	ON	OFF	-
	09	Armature short-circuit braking	Active	Not active	-
	10	Gating unit state bit 0	ON	OFF	-
	11	Gating unit state bit 1	ON	OFF	-
	12	Gating unit state bit 2	ON	OFF	-

13	Alarm status bit 0	ON	OFF	-
14	Alarm status bit 1	ON	OFF	-
15	Diagnostics 24 V	ON	OFF	-

p1900	Motor data identification and rotating measurement / MotID and rot meas			
	Access level: 2	Calculated: -	Data type: Integer16	
	Can be changed: C(1), T	Scaling: -	Dyn. index: -	
	Units group: -	Unit selection: -	Func. diagram: -	
	Min	Max	Factory setting	
	0	3	0	
Description:	<p>Sets the motor data identification and speed controller optimization.</p> <p>The motor identification should first be performed with the motor stationary (p1900 = 1, 2; also refer to p1910). Based on this, additional motor and control parameters can be determined using the motor data identification with the motor rotating (p1900 = 1, 3; also refer to p1960; not for p1300 < 20).</p> <p>p1900 = 0: Function inhibited.</p> <p>p1900 = 1: Sets p1910 = 1 and p1960 = 0, 1 depending on p1300 When the drive enable signals are present, a motor data identification routine is carried out at standstill with the next power-on command. Current flows through the motor which means that it can align itself by up to a quarter of a revolution.</p> <p>With the following power-on command, a rotating motor data identification routine is carried out - and in addition, a speed controller optimization by making measurements at different motor speeds.</p> <p>p1900 = 2: Sets p1910 = 1 and p1960 = 0 When the drive enable signals are present, a motor data identification routine is carried out at standstill with the next power-on command. Current flows through the motor which means that it can align itself by up to a quarter of a revolution.</p> <p>p1900 = 3: Sets p1960 = 0, 1 depending on p1300 This setting should only be selected if the motor data identification was already carried out at standstill. When the drive enable signals are present, with the next power-on command, a rotating motor data identification routine is carried out - and in addition, speed controller optimization by taking measurements at different motor speeds.</p>			
Value:	<p>0: Inhibited</p> <p>1: Identifying motor data and optimizing speed control</p> <p>2: Identifying motor data (at standstill)</p> <p>3: Optimizing speed control (in the rotating mode)</p>			
Dependency:	Refer to: p1300, p1910, p1960			
Notice:	<p>p1900 = 3: This setting should only be selected if the motor data identification was already carried out at standstill. If there is a motor holding brake, it must be open (p1215 = 2). To permanently accept the determined settings they must be saved in a non-volatile fashion (p0971). During the rotating measurement it is not possible to save the parameter (p0971). For p0014 = 1, the following applies: After the value has been modified, no further parameter modifications can be made and the status is shown in r3996. Modifications can be made again when r3996 = 0.</p>			
Note:	<p>The motor and control parameters of the vector control are only optimally set when both measurements are carried out (initially at standstill, and then with the motor rotating). The measurement with rotating motor is not performed for p1300 < 20 (U/f controls).</p> <p>An appropriate alarm is output when the parameter is set.</p> <p>The power-on command must remain set during a measurement and after the measurement has been completed, the drive automatically resets it.</p> <p>The duration of the measurements can lie between 0.3 s and several minutes. This time is, for example, influenced by the motor size and the mechanical conditions.</p> <p>p1900 is automatically set to 0 after the motor data identification routine has been completed.</p>			

p1901		Test pulse evaluation configuration / Test puls config			
Access level:	3	Calculated:	p0340 = 1	Data type: Unsigned32	
Can be changed:	T	Scaling:	-	Dyn. index: -	
Units group:	-	Unit selection:	-	Func. diagram: -	
Min	-	Max	-	Factory setting	
				0000 bin	
Description:	Sets the configuration for the test pulse evaluation. Bit 00: Check for conductor-to-conductor short circuit once/always when the pulses are enabled. Bit 01: Check for ground fault once/always when the pulses are enabled. Bit 02: Activation of the tests selected using bit 00 and/or bit 01 each time the pulses are enabled				
Bit field:	Bit	Signal name	1 signal	0 signal	FP
	00	Phase short-circuit test pulse active	Yes	No	-
	01	Ground fault detection test pulse active	Yes	No	-
	02	Test pulse at each pulse enable	Yes	No	-
Dependency:	Refer to: p0287				
Note:	If a conductor-to-conductor short-circuit is detected during the test, this is displayed in r1902.1. If a ground fault is detected during the test, this is displayed in r1902.2. Re bit 02 = 0: If the test was successful once after POWER ON (see r1902.0), it is not repeated. Re bit 02 = 1: The test is not only performed after POWER ON, but also each time the pulses are enabled.				

p1909[0...n]		Motor data identification control word / MotID STW			
Access level:	3	Calculated:	p0340 = 1	Data type: Unsigned32	
Can be changed:	T	Scaling:	-	Dyn. index: MDS	
Units group:	-	Unit selection:	-	Func. diagram: -	
Min	-	Max	-	Factory setting	
				0000 0000 0000 0000 0000 0000 0000 0000 0000 bin	
Description:	Sets the configuration for the motor data identification.				
Bit field:	Bit	Signal name	1 signal	0 signal	FP
	00	Stator inductance estimate no measurement	Yes	No	-
	02	Rotor time constant estimate no measurement	Yes	No	-
	03	Leakage inductance estimate no measurement	Yes	No	-
	05	Determine Tr and Lsig evaluation in the time range	Yes	No	-
	06	Activate vibration damping	Yes	No	-
	07	De-activate vibration detection	Yes	No	-
	11	De-activate pulse measurement Lq Ld	Yes	No	-
	12	De-activate rotor resistance Rr measurement	Yes	No	-
	14	De-activate valve interlocking time measurement	Yes	No	-
	15	Determine only stator resistance, valve voltage fault, dead time	Yes	No	-
	16	Short motor identification (lower quality)	Yes	No	-
	17	Measurement without control parameter calculation	Yes	No	-
	18	After motID direct transition into operation	Yes	No	-
	19	After MotID automatically save results	Yes	No	-
	20	Estimate cable resistance	Yes	No	-


Note: The following applies to permanent-magnet synchronous motors:
 Without de-selection in bit 11, in the closed-loop control mode, the direct inductance LD and the quadrature inductance Lq are measured at a low current.
 When de-selecting with bit 11 or in the U/f mode, the stator inductance is measured at half the rated motor current.
 If the stator inductance is not measured but is to be estimated, then bit 0 should be set and bit 11 should be de-selected.
 Bit 19 = 1:
 All parameters are automatically saved after a successful motor data identification.
 If a speed controller optimization run is then selected, the parameters are only saved after this measurement has been completed.

p1910	Motor data identification selection / MotID selection		
	Access level: 3	Calculated: -	Data type: Integer16
	Can be changed: T	Scaling: -	Dyn. index: -
	Units group: -	Unit selection: -	Func. diagram: -
	Min	Max	Factory setting
	0	28	0
Description:	Sets the motor data identification routine. The motor data identification routine is carried out after the next power-on command. p1910 = 1: All motor data and the drive converter characteristics are identified and then transferred to the following parameters: p0350, p0354, p0356, p0357, p0358, p0360. After this, the control parameter p0340 = 3 is automatically calculated. p1910 = 20: Only for internal SIEMENS use.		
Value:	0: Inhibited 1: Complete identification (ID) and acceptance of motor data 2: Complete identification (ID) of motor data without acceptance 20: Voltage vector input 21: Voltage vector input without filter 22: Rectangular voltage vector input without filter 23: Triangular voltage vector input without filter 24: Rectangular voltage vector input with filter 25: Triangular voltage vector input with filter 26: Enter voltage vector with DTC correction 27: Enter voltage vector with AVC 28: Enter voltage vector with DTC + AVC correction		
Dependency:	"Quick commissioning" must be carried out (p0010 = 1, p3900 > 0) before executing the motor data identification routine! When selecting the motor data identification routine, the drive data set changeover is suppressed. Refer to: p1900		
Notice:	After the motor data identification (p1910 > 0) has been selected, alarm A07991 is output and a motor data identification routine is carried out as follows at the next power-on command: - current flows through the motor and a voltage is present at the drive converter output terminals. - during the identification routine, the motor shaft can rotate through a maximum of half a revolution. - however, no torque torque is generated.		
Note:	If there is a motor holding brake, it must be open (p1215 = 2). To permanently accept the determined settings they must be saved in a non-volatile fashion (p0971). When setting p1910, the following should be observed: 1. "With acceptance" means: The parameters specified in the description are overwritten with the identified values and therefore have an influence on the controller setting. 2. "Without acceptance" means: The identified parameters are only displayed in the range r1912 ... r1926 (service parameters). The controller settings remain unchanged.		

3. For settings 27 and 28, the AVC configuration set using p1840 is active.

The power-on command must remain set during a measurement and after the measurement has been completed, the drive automatically resets it. The duration of the measurements can lie between 0.3 s and several minutes. This time is mainly influenced by the motor size. At the end of the motor data identification, p1910 is automatically set to 0, if only the stationary measurement is selected, then p1900 is also reset to 0, otherwise, the rotating measurement is activated.

p1959[0...n]	Rotating measurement configuration / Rot meas config				
	Access level: 3		Calculated: p0340 = 1		Data type: Unsigned16
	Can be changed: T		Scaling: -		Dyn. index: DDS, p0180
	Units group: -		Unit selection: -		Func. diagram: -
	Min		Max		Factory setting
	-		-		0001 1110 bin
Description:	Sets the configuration of the rotating measurement.				
Bit field:	Bit	Signal name	1 signal	0 signal	FP
	01	Saturation characteristic identification	Yes	No	-
	02	Moment of inertia identification	Yes	No	-
	03	Re-calculates the speed controller parameters	Yes	No	-
	04	Speed controller optimization (vibration test)	Yes	No	-
Note:	The following parameters are influenced for the individual optimization steps:				
	Bit 01: p0320, p0360, p0362 ... p0369				
	Bit 02: p0341, p0342				
	Bit 03: p1470, p1472, p1496				
	Bit 04: Dependent on p1960				
	p1960 = 1, 3: p1470, p1472, p1496				

p1960	Rotating measurement selection / Rot meas sel				
	Access level: 3		Calculated: -		Data type: Integer16
	Can be changed: T		Scaling: -		Dyn. index: -
	Units group: -		Unit selection: -		Func. diagram: -
	Min		Max		Factory setting
	0		3		0
Description:	Sets the rotating measurement.				
	The rotating measurement is carried out after the next power-on command.				
	The setting possibilities of the parameter depend on the open-loop/closed-loop control mode (p1300).				
	p1300 < 20 (U/f open-loop control):				
	It is not possible to select rotating measurement or speed controller optimization.				
	p1300 = 20, 22 (encoderless operation):				
	Only rotating measurement or speed controller optimization can be selected in the encoderless mode.				
Value:	0: Inhibited				
	1: Rotating measurement in encoderless operation				
	3: Speed controller optimization in encoderless operation				
Dependency:	Before the rotating measurement is carried out, the motor data identification routine (p1900, p1910, r3925) should have already been done.				
	When selecting the rotating measurement, the drive data set changeover is suppressed.				
	Refer to: p1300, p1900, p1959, p1967, r1968				
Danger:	For drives with a mechanical system that limits the distance moved, it must be ensured that this is not reached during the rotating measurement. If this is not the case, then it is not permissible that the measurement is carried out.				
					
Notice:	If there is a motor holding brake, it must be open (p1215 = 2).				
	To permanently accept the determined settings they must be saved in a non-volatile fashion (p0971).				
	During the rotating measurement it is not possible to save the parameter (p0971).				
Note:	When the rotating measurement is activated, it is not possible to save the parameters (p0971).				
	Parameter changes are automatically made for the rotating measurement (e.g. p1120); this is the reason that up to the end of the measurement, and if no faults are present, no manual changes should be made.				
	The ramp-up and ramp-down times (p1120, p1121) are limited, for the rotating measurement, to 900 s.				

p1961	Saturation characteristic speed to determine / Sat_char n determ		
	Access level: 3	Calculated: -	Data type: FloatingPoint32
	Can be changed: U, T	Scaling: -	Dyn. index: -
	Units group: -	Unit selection: -	Func. diagram: -
	Min	Max	Factory setting
	26 [%]	75 [%]	40 [%]
Description:	Sets the speed to determine the saturation characteristic. The percentage value is referred to p0310 (rated motor frequency).		
Dependency:	Refer to: p0310, p1959		
Note:	The saturation characteristics should be determined at an operating point with the lowest possible load.		
p1965	Speed_ctrl_opt speed / n_opt speed		
	Access level: 3	Calculated: -	Data type: FloatingPoint32
	Can be changed: U, T	Scaling: -	Dyn. index: -
	Units group: -	Unit selection: -	Func. diagram: -
	Min	Max	Factory setting
	10 [%]	75 [%]	40 [%]
Description:	Sets the speed for the identification of the moment of inertia and the vibration test. Induction motor: The percentage value is referred to p0310 (rated motor frequency). Synchronous motor: The percentage value is referred to the minimum from p0310 (rated motor frequency) and p1082 (maximum speed).		
Dependency:	Refer to: p0310, p1959		
Note:	In order to calculate the inertia, sudden speed changes are carried out - the specified value corresponds to the lower speed setpoint. This value is increased by 20 % for the upper speed value. The q leakage inductance (refer to p1959.5) is determined at zero speed and at 50 % of p1965 - however, with a maximum output frequency of 15 Hz and at a minimum of 10% of the rated motor speed.		
p1967	Speed_ctrl_opt dynamic factor / n_opt dyn_factor		
	Access level: 3	Calculated: p0340 = 1	Data type: FloatingPoint32
	Can be changed: U, T	Scaling: -	Dyn. index: -
	Units group: -	Unit selection: -	Func. diagram: -
	Min	Max	Factory setting
	1 [%]	400 [%]	100 [%]
Description:	Sets the dynamic response factor for speed controller optimization. After optimization, the dynamic response achieved is displayed in r1968.		
Dependency:	Refer to: p1959, r1968		
Note:	For a rotating measurement, this parameter can be used to optimize the speed controller. p1967 = 100 % --> speed controller optimization according to a symmetric optimum. p1967 > 100 % --> optimization with a higher dynamic response (Kp higher, Tn lower). If the actual dynamic response (see r1968) is significantly reduced with respect to the required dynamic response (p1967), then this can be as a result of mechanical load oscillations. If, in spite of this load behavior, a higher dynamic response is required, then the oscillation test (p1959.4 = 0) should be deactivated and the measurement repeated.		
r1968	Speed_ctrl_opt dynamic factor actual / n_opt dyn_fact act		
	Access level: 4	Calculated: -	Data type: FloatingPoint32
	Can be changed: -	Scaling: -	Dyn. index: -
	Units group: -	Unit selection: -	Func. diagram: -
	Min	Max	Factory setting
	- [%]	- [%]	- [%]
Description:	Displays the dynamic factor which is actually achieved for the vibration test		
Dependency:	Refer to: p1959, p1967		
Note:	This dynamic factor only refers to the control mode of the speed controller set in p1960.		

p1980[0...n]	PoIID technique / PoIID technique		
	Access level: 3	Calculated: p0340 = 1,3	Data type: Integer16
	Can be changed: U, T	Scaling: -	Dyn. index: MDS
	Units group: -	Unit selection: -	Func. diagram: -
	Min	Max	Factory setting
	1	10	4
Description:	Sets the pole position identification technique. p1980 = 1, 8: The current magnitude is set using p0329. p1980 = 4, 6: The current magnitude of the first measurement section is set using p0325, the second using p0329. p1980 = 10: The rated motor current is impressed to align. The current magnitudes are limited to the rated power unit values.		
Value:	1: Voltage pulsing 1st harmonics 4: Voltage pulsing 2-stage 6: Voltage pulsing 2-stage inverse 8: Voltage pulsing 2nd harmonic, inverse 10: DC current injection		
Dependency:	When commissioning a catalog motor, the technique is automatically selected depending on the motor type being used. Refer to: p0325, p0329, p1780		
Note:	Voltage pulse technique (p1980 = 1, 4) cannot be applied to operation with sine-wave output filters (p0230).		
p2000	Reference speed reference frequency / n_ref f_ref		
	Access level: 2	Calculated: p0340 = 1	Data type: FloatingPoint32
	Can be changed: T	Scaling: -	Dyn. index: -
	Units group: -	Unit selection: -	Func. diagram: -
	Min	Max	Factory setting
	6.00 [rpm]	210000.00 [rpm]	1500.00 [rpm]
Description:	Sets the reference quantity for speed and frequency. All speeds or frequencies specified as relative value are referred to this reference quantity. The reference quantity corresponds to 100% or 4000 hex (word) or 4000 0000 hex (double word). The following applies: Reference frequency (in Hz) = reference speed (in ((rpm) / 60) x pole pair number)		
Dependency:	This parameter is only updated during the automatic calculation (p0340 = 1, p3900 > 0) if motor commissioning was carried out beforehand for drive data set zero. This means that the parameter is not locked against overwriting using p0573 = 1. Refer to: p2001, p2002, p2003, r2004, r3996		
Notice:	When the reference speed / reference frequency is changed, short-term communication interruptions may occur.		
Note:	If a BICO interconnection is established between different physical quantities, then the particular reference quantities are used as internal conversion factor. Example 1: The signal of an analog input (e.g. r0755[0]) is connected to a speed setpoint (e.g. p1070[0]). The actual percentage input value is cyclically converted into the absolute speed setpoint using the reference speed (p2000). Example 2: The setpoint from PROFIBUS (r2050[1]) is connected to a speed setpoint (e.g. p1070[0]). The actual input value is cyclically converted into a percentage value via the pre-specified scaling 4000 hex. This percentage value is converted to the absolute speed setpoint via reference speed (p2000).		
p2001	Reference voltage / Reference voltage		
	Access level: 3	Calculated: p0340 = 1	Data type: FloatingPoint32
	Can be changed: T	Scaling: -	Dyn. index: -
	Units group: -	Unit selection: -	Func. diagram: -
	Min	Max	Factory setting
	10 [Vrms]	100000 [Vrms]	1000 [Vrms]
Description:	Sets the reference quantity for voltages. All voltages specified as relative value are referred to this reference quantity. This also applies for direct voltage values (= rms value) like the DC-link voltage.		

2 Parameters

2.2 List of parameters

The reference quantity corresponds to 100% or 4000 hex (word) or 4000 0000 hex (double word).

Note:

This reference quantity also applies to direct voltage values. It is not interpreted as rms value, but as DC voltage value.

Dependency:

p2001 is only updated during automatic calculation (p0340 = 1, p3900 > 0) if motor commissioning has been carried out first for drive data set zero and as a result overwriting of the parameter has not been blocked by setting p0573 = 1.

Refer to: r3996

Notice:

When the reference voltage is changed, short-term communication interruptions may occur.

Note:

If a BICO interconnection is established between different physical quantities, then the particular reference quantities are used as internal conversion factor.

For infeed units, the parameterized device supply voltage (p0210) is pre-assigned as the reference quantity.

Example:

The actual value of the DC link voltage (r0070) is connected to a test socket (e.g. p0771[0]). The actual voltage value is cyclically converted into a percentage of the reference voltage (p2001) and output according to the parameterized scaling.

p2002

Reference current / I_{ref}

Access level: 3

Calculated: p0340 = 1

Data type: FloatingPoint32

Can be changed: T

Scaling: -

Dyn. index: -

Units group: -

Unit selection: -

Func. diagram: -

Min

Max

Factory setting

0.10 [Arms]

100000.00 [Arms]

100.00 [Arms]

Description:

Sets the reference quantity for currents.

All currents specified as relative value are referred to this reference quantity.

The reference quantity corresponds to 100% or 4000 hex (word) or 4000 0000 hex (double word).

Dependency:

This parameter is only updated during the automatic calculation (p0340 = 1, p3900 > 0) if motor commissioning was carried out beforehand for drive data set zero. This means that the parameter is not locked against overwriting using p0573 = 1.

Refer to: r3996

Notice:

If various DDS are used with different motor data, then the reference quantities remain the same as these are not changed over with the DDS. The resulting conversion factor must be taken into account.

Example:

p2002 = 100 A

Reference quantity 100 A corresponds to 100 %

p0305[0] = 100 A

Rated motor current 100 A for MDS0 in DDS0 --> 100 % corresponds to 100 % of the rated motor current

p0305[1] = 50 A

Rated motor current 50 A for MDS1 in DDS1 --> 100 % corresponds to 200 % of the rated motor current

When the reference current is changed, short-term communication interruptions may occur.

Note:

Preassigned value is p0640.

If a BICO interconnection is established between different physical quantities, then the particular reference quantities are used as internal conversion factor.

For infeed units, the rated line current, which is obtained from the rated power and parameterized rated line supply voltage (p2002 = r0206 / p0210 / 1.73) is pre-assigned as the reference quantity.

Example:

The actual value of a phase current (r0069[0]) is connected to a test socket (e.g. p0771[0]). The actual current value is cyclically converted into a percentage of the reference current (p2002) and output according to the parameterized scaling.

p2003	Reference torque / M_ref		
	Access level: 3	Calculated: p0340 = 1	Data type: FloatingPoint32
	Can be changed: T	Scaling: -	Dyn. index: -
	Units group: 7_2	Unit selection: p0505	Func. diagram: -
	Min	Max	Factory setting
	0.01 [Nm]	20000000.00 [Nm]	1.00 [Nm]
Description:	Sets the reference quantity for torque. All torques specified as relative value are referred to this reference quantity. The reference quantity corresponds to 100% or 4000 hex (word) or 4000 0000 hex (double word).		
Dependency:	This parameter is only updated during the automatic calculation (p0340 = 1, p3900 > 0) if motor commissioning was carried out beforehand for drive data set zero. This means that the parameter is not locked against overwriting using p0573 = 1. Refer to: r3996		
Notice:	When the reference torque is changed, short-term communication interruptions may occur.		
Note:	Preassigned value is 2 * p0333. If a BICO interconnection is established between different physical quantities, then the particular reference quantities are used as internal conversion factor. Example: The actual value of the total torque (r0079) is connected to a test socket (e.g. p0771[0]). The actual torque is cyclically converted into a percentage of the reference torque (p2003) and output according to the parameterized scaling.		
r2004	Reference power / P_ref		
	Access level: 3	Calculated: -	Data type: FloatingPoint32
	Can be changed: -	Scaling: -	Dyn. index: -
	Units group: 14_10	Unit selection: p0505	Func. diagram: -
	Min	Max	Factory setting
	- [kW]	- [kW]	- [kW]
Description:	Displays the reference quantity for power. All power ratings specified as relative value are referred to this reference quantity. The reference quantity corresponds to 100% or 4000 hex (word) or 4000 0000 hex (double word).		
Dependency:	This value is calculated as follows: Infeed: Calculated from voltage times current. Closed-loop control: Calculated from torque times speed. Refer to: p2000, p2001, p2002, p2003		
Note:	If a BICO interconnection is established between different physical quantities, then the particular reference quantities are used as internal conversion factor. The reference power is calculated as follows: - $2 * \text{Pi} * \text{reference speed} / 60 * \text{reference torque (motor)}$ - $\text{reference voltage} * \text{reference current} * \text{root}(3) \text{ (infeed)}$		
p2006	Reference temp / Ref temp		
	Access level: 3	Calculated: p0340 = 1	Data type: FloatingPoint32
	Can be changed: T	Scaling: -	Dyn. index: -
	Units group: -	Unit selection: -	Func. diagram: -
	Min	Max	Factory setting
	50.00 [°C]	300.00 [°C]	100.00 [°C]
Description:	Sets the reference quantity for temperature. All temperatures specified as relative value are referred to this reference quantity. The reference quantity corresponds to 100% or 4000 hex (word) or 4000 0000 hex (double word).		

p2010	Comm IF baud rate / Comm baud		
	Access level: 3	Calculated: -	Data type: Integer16
	Can be changed: T	Scaling: -	Dyn. index: -
	Units group: -	Unit selection: -	Func. diagram: -
	Min	Max	Factory setting
	6	12	12
Description:	Sets the baud rate for the commissioning interface (USS, RS232).		
Value:	6: 9600 baud 7: 19200 baud 8: 38400 baud 9: 57600 baud 10: 76800 baud 11: 93750 baud 12: 115200 baud		
Note:	COMM-IF: Commissioning interface The parameter is not influenced by setting the factory setting.		

p2011	Comm IF address / Comm add		
	Access level: 3	Calculated: -	Data type: Unsigned16
	Can be changed: T	Scaling: -	Dyn. index: -
	Units group: -	Unit selection: -	Func. diagram: -
	Min	Max	Factory setting
	0	31	2
Description:	Sets the address for the commissioning interface (USS, RS232).		
Note:	The parameter is not influenced by setting the factory setting.		

p2016[0...3]	CI: Comm IF USS PZD send word / Comm USS send word		
	Access level: 3	Calculated: -	Data type: U32 / Integer16
	Can be changed: U, T	Scaling: 4000H	Dyn. index: -
	Units group: -	Unit selection: -	Func. diagram: -
	Min	Max	Factory setting
	-	-	0
Description:	Selects the PZD (actual values) to be sent via the commissioning interface USS. The actual values are displayed on an intelligent operator panel (IOP).		
Index:	[0] = PZD 1 [1] = PZD 2 [2] = PZD 3 [3] = PZD 4		

p2020	Field bus interface baud rate / Field bus baud		
G120C_USS	Access level: 2	Calculated: -	Data type: Integer16
	Can be changed: T	Scaling: -	Dyn. index: -
	Units group: -	Unit selection: -	Func. diagram: 9310
	Min	Max	Factory setting
	4	13	8
Description:	Sets the baud rate for the field bus interface (RS485).		
Value:	4: 2400 baud 5: 4800 baud 6: 9600 baud 7: 19200 baud 8: 38400 baud 9: 57600 baud 10: 76800 baud 11: 93750 baud		

12: 115200 baud
13: 187500 baud

Notice:

For p0014 = 1, the following applies:

After the value has been modified, no further parameter modifications can be made and the status is shown in r3996. Modifications can be made again when r3996 = 0.

For p0014 = 0, the following applies:

Before a changed setting becomes permanently effective, a non-volatile RAM to ROM data save is required. To do this, set p0971 = 1 or p0014 = 1.

Note:

Fieldbus IF: Fieldbus interface

Changes only become effective after POWER ON.

The parameter is not influenced by setting the factory setting.

The parameter is set to the factory setting when the protocol is reselected.

When p2030 = 1 (USS), the following applies:

Min./max./factory setting: 4/13/8

When p2030 = 2 (MODBUS), the following applies:

Min./max./factory setting: 5/13/7

p2021**Field bus interface address / Field bus address**

G120C_USS

Access level: 2**Calculated:** -**Data type:** Unsigned16**Can be changed:** T**Scaling:** -**Dyn. index:** -**Units group:** -**Unit selection:** -**Func. diagram:** 9310**Min****Max****Factory setting**

0

247

0

Description:

Displays or sets the address for the fieldbus interface (RS485).

The address can be set as follows:

1) Using the address switch on the Control Unit.

--> p2021 displays the address setting.

--> A change only becomes effective after a POWER ON.

2) Using p2021

--> Only if an address of 0 or an address that is invalid for the fieldbus selected in p2030 has been set using the address switch.

--> The address is saved in a non-volatile fashion using the function "copy from RAM to ROM".

--> A change only becomes effective after a POWER ON.

Dependency:

Refer to: p2030

Notice:

For p0014 = 1, the following applies:

After the value has been modified, no further parameter modifications can be made and the status is shown in r3996. Modifications can be made again when r3996 = 0.

For p0014 = 0, the following applies:

Before a changed setting becomes permanently effective, a non-volatile RAM to ROM data save is required. To do this, set p0971 = 1 or p0014 = 1.

Note:

Changes only become effective after POWER ON.

The parameter is not influenced by setting the factory setting.

The parameter is set to the factory setting when the protocol is reselected.

When p2030 = 1 (USS), the following applies:

Min./max./factory setting: 0/30/0

When p2030 = 2 (MODBUS), the following applies:

Min./max./factory setting: 1/247/1

p2022**Field bus int USS PZD no. / Field bus USS PZD**

G120C_USS

Access level: 2**Calculated:** -**Data type:** Unsigned16**Can be changed:** T**Scaling:** -**Dyn. index:** -**Units group:** -**Unit selection:** -**Func. diagram:** 9310**Min****Max****Factory setting**

0

8

2

Description:

Sets the number of 16-bit words in the PZD part of the USS telegram for the field bus interface.

2 Parameters

2.2 List of parameters

Dependency: Refer to: p2030
Note: The parameter is not influenced by setting the factory setting.

p2023	Field bus int USS PKW no. / Field bus USS PKW		
G120C_USS	Access level: 2	Calculated: -	Data type: Integer16
	Can be changed: T	Scaling: -	Dyn. index: -
	Units group: -	Unit selection: -	Func. diagram: 9310
	Min	Max	Factory setting
	0	127	127

Description: Sets the number of 16-bit words in the PKW part of the USS telegram for the field bus interface.

Value:
0: PKW 0 words
3: PKW 3 words
4: PKW 4 words
127: PKW variable

Dependency: Refer to: p2030
Note: The parameter is not influenced by setting the factory setting.

p2024[0...2]	Fieldbus interface times / Fieldbus times		
G120C_USS	Access level: 3	Calculated: -	Data type: FloatingPoint32
	Can be changed: U, T	Scaling: -	Dyn. index: -
	Units group: -	Unit selection: -	Func. diagram: 9310
	Min	Max	Factory setting
	0 [ms]	10000 [ms]	[0] 1000 [ms] [1] 0 [ms] [2] 0 [ms]

Description: Sets the time values for the fieldbus interface.
The following applies for MODBUS:
p2024[0]: Maximum permissible telegram processing time of the MODBUS slave in which a reply is sent back to the MODBUS master.
p2024[1]: Not relevant.
p2024[2]: Telegram pause time (pause time between two telegrams).

Index:
[0] = Max. processing time
[1] = Character delay time
[2] = Telegram pause time

Dependency: Refer to: p2020, p2030
Note: Re p2024[2] (MODBUS):
If the field bus baud rate is changed (p2020), the default time setting is restored.
The default setting corresponds to a time of 3.5 characters (dependent on the baud rate that has been set).

r2029[0...7]	Field bus int error statistics / Field bus error		
G120C_USS	Access level: 3	Calculated: -	Data type: Unsigned32
	Can be changed: -	Scaling: -	Dyn. index: -
	Units group: -	Unit selection: -	Func. diagram: 9310
	Min	Max	Factory setting
	-	-	-

Description: Displays the receive errors on the field bus interface (RS485).

Index:
[0] = Number of error-free telegrams
[1] = Number of rejected telegrams
[2] = Number of framing errors
[3] = Number of overrun errors
[4] = Number of parity errors
[5] = Number of starting character errors
[6] = Number of checksum errors
[7] = Number of length errors

p2030	Field bus int protocol selection / Field bus protocol		
G120C_CAN	Access level: 1	Calculated: -	Data type: Integer16
	Can be changed: T	Scaling: -	Dyn. index: -
	Units group: -	Unit selection: -	Func. diagram: 9310
	Min	Max	Factory setting
	0	4	4
Description:	Sets the communication protocol for the field bus interface.		
Value:	0: No protocol 4: CAN		
Notice:	For p0014 = 1, the following applies: After the value has been modified, no further parameter modifications can be made and the status is shown in r3996. Modifications can be made again when r3996 = 0.		
Note:	Changes only become effective after POWER ON. The parameter is not influenced by setting the factory setting.		

p2030	Field bus int protocol selection / Field bus protocol		
G120C_DP	Access level: 1	Calculated: -	Data type: Integer16
	Can be changed: T	Scaling: -	Dyn. index: -
	Units group: -	Unit selection: -	Func. diagram: 9310
	Min	Max	Factory setting
	0	3	3
Description:	Sets the communication protocol for the field bus interface.		
Value:	0: No protocol 3: PROFIBUS		
Notice:	For p0014 = 1, the following applies: After the value has been modified, no further parameter modifications can be made and the status is shown in r3996. Modifications can be made again when r3996 = 0.		
Note:	Changes only become effective after POWER ON. The parameter is not influenced by setting the factory setting.		

p2030	Field bus int protocol selection / Field bus protocol		
G120C_PN	Access level: 1	Calculated: -	Data type: Integer16
	Can be changed: T	Scaling: -	Dyn. index: -
	Units group: -	Unit selection: -	Func. diagram: 9310
	Min	Max	Factory setting
	0	10	7
Description:	Sets the communication protocol for the field bus interface.		
Value:	0: No protocol 7: PROFINET 10: Ethernet/IP		
Notice:	For p0014 = 1, the following applies: After the value has been modified, no further parameter modifications can be made and the status is shown in r3996. Modifications can be made again when r3996 = 0.		
Note:	Changes only become effective after POWER ON. The parameter is not influenced by setting the factory setting.		

p2030	Field bus int protocol selection / Field bus protocol		
G120C_USS	Access level: 1	Calculated: -	Data type: Integer16
	Can be changed: T	Scaling: -	Dyn. index: -
	Units group: -	Unit selection: -	Func. diagram: 9310
	Min	Max	Factory setting
	0	2	0
Description:	Sets the communication protocol for the field bus interface.		

2 Parameters

2.2 List of parameters

Value:	0: No protocol 1: USS 2: MODBUS
Notice:	For p0014 = 1, the following applies: After the value has been modified, no further parameter modifications can be made and the status is shown in r3996. Modifications can be made again when r3996 = 0.
Note:	Changes only become effective after POWER ON. The parameter is not influenced by setting the factory setting.

r2032	Master control control word effective / PcCtrl STW eff		
	Access level: 3	Calculated: -	Data type: Unsigned16
	Can be changed: -	Scaling: -	Dyn. index: -
	Units group: -	Unit selection: -	Func. diagram: -
	Min	Max	Factory setting
	-	-	-

Description: Displays the effective control word 1 (STW1) of the drive for the master control.

Bit field:	Bit	Signal name	1 signal	0 signal	FP
	00	ON/OFF1	Yes	No	-
	01	OC / OFF2	Yes	No	-
	02	OC / OFF3	Yes	No	-
	03	Operation enable	Yes	No	-
	04	Ramp-function generator enable	Yes	No	-
	05	Start ramp-function generator	Yes	No	-
	06	Speed setpoint enable	Yes	No	-
	07	Acknowledge fault	Yes	No	-
	08	Jog bit 0	Yes	No	3030
	09	Jog bit 1	Yes	No	3030
	10	Master ctrl by PLC	Yes	No	-

Notice: The master control only influences control word 1 and speed setpoint 1. Other control words/setpoints can be transferred from another automation device.

Note: OC: Operating condition

p2037	PROFIdrive STW1.10 = 0 mode / PD STW1.10=0		
G120C_DP	Access level: 3	Calculated: -	Data type: Integer16
G120C_PN	Can be changed: T	Scaling: -	Dyn. index: -
	Units group: -	Unit selection: -	Func. diagram: -
	Min	Max	Factory setting
	0	2	0

Description: Sets the processing mode for PROFIdrive STW1.10 "master control by PLC".

Generally, control word 1 is received with the first receive word (PZD1) (this is in conformance to the PROFIdrive profile). The behavior of STW1.10 = 0 corresponds to that of the PROFIdrive profile. For other applications that deviate from this, the behavior can be adapted using this particular parameter.

Value: 0: Freeze setpoints and continue to process sign-of-life
1: Freeze setpoints and sign-of-life
2: Do not freeze setpoints

Recommend.: Do not change the setting p2037 = 0.

Note: If the STW1 is not transferred according to the PROFIdrive with PZD1 (with bit 10 "master control by PLC"), then p2037 should be set to 2.

p2038	PROFIdrive STW/ZSW interface mode / PD STW/ZSW IF mode		
G120C_DP	Access level: 3	Calculated: -	Data type: Integer16
G120C_PN	Can be changed: T	Scaling: -	Dyn. index: -
	Units group: -	Unit selection: -	Func. diagram: -
	Min	Max	Factory setting
	0	2	0
Description:	Sets the interface mode of the PROFIdrive control words and status words. When selecting a telegram via p0922 (p2079), this parameter influences the device-specific assignment of the bits in the control and status words.		
Value:	0: SINAMICS 2: VIK-NAMUR		
Dependency:	Refer to: p0922, p2079		
Notice:	The parameter may be protected as a result of p0922 or p2079 and cannot be changed.		
Note:	- For p0922 (p2079) = 1, 350 ... 999, p2038 is automatically set to 0. - For p0922 (p2079) = 20, p2038 is automatically set to 2. It is not then possible to change p2038.		
p2039	Select debug monitor interface / Debug monit select		
	Access level: 4	Calculated: -	Data type: Unsigned16
	Can be changed: U, T	Scaling: -	Dyn. index: -
	Units group: -	Unit selection: -	Func. diagram: -
	Min	Max	Factory setting
	0	3	0
Description:	The serial interface for the debug monitor is COM1 (commissioning interface, RS232) or COM2 (fieldbus interface, RS485). Value = 0: De-activated Value = 1: COM1, commissioning protocol is de-activated Value = 2: COM2, field bus is de-activated Value = 3: Reserved		
Note:	Value = 2 is only possible for Control Units with RS485 as a field bus interface.		
p2040	Fieldbus interface monitoring time / Fieldbus t_monit		
G120C_CAN	Access level: 3	Calculated: -	Data type: FloatingPoint32
G120C_PN	Can be changed: U, T	Scaling: -	Dyn. index: -
G120C_USS	Units group: -	Unit selection: -	Func. diagram: 9310
	Min	Max	Factory setting
	0 [ms]	1999999 [ms]	100 [ms]
Description:	Sets the monitoring time to monitor the process data received via the fieldbus interface. If no process data is received within this time, then an appropriate message is output.		
Note:	p2040 = 0: Monitoring is de-activated.		
p2042	PROFIBUS Ident Number / PB Ident No.		
G120C_DP	Access level: 3	Calculated: -	Data type: Integer16
	Can be changed: T	Scaling: -	Dyn. index: -
	Units group: -	Unit selection: -	Func. diagram: -
	Min	Max	Factory setting
	0	1	0
Description:	Sets the PROFIBUS Ident Number (PNO-ID). SINAMICS can be operated with various identities on PROFIBUS. This allows the use of a PROFIBUS GSD that is independent of the device (e.g. PROFIdrive VIK-NAMUR with Ident Number 3AA0 hex).		
Value:	0: SINAMICS 1: VIK-NAMUR		

2 Parameters

2.2 List of parameters

Notice: For p0014 = 1, the following applies:
After the value has been modified, no further parameter modifications can be made and the status is shown in r3996. Modifications can be made again when r3996 = 0.

Note: Every change only becomes effective after a POWER ON.

r2043.0...2	BO: PROFIdrive PZD state / PD PZD state		
G120C_DP	Access level: 3	Calculated: -	Data type: Unsigned8
G120C_PN	Can be changed: -	Scaling: -	Dyn. index: -
	Units group: -	Unit selection: -	Func. diagram: 2410
	Min	Max	Factory setting
	-	-	-

Description: Displays the PROFIdrive PZD state.

Bit field:	Bit	Signal name	1 signal	0 signal	FP
	00	Setpoint failure	Yes	No	-
	02	Fieldbus oper	Yes	No	-

Dependency: Refer to: p2044

Note: When using the "setpoint failure" signal, the bus can be monitored and an application-specific response triggered when the setpoint fails.

p2044	PROFIdrive fault delay / PD fault delay		
G120C_DP	Access level: 3	Calculated: -	Data type: FloatingPoint32
G120C_PN	Can be changed: U, T	Scaling: -	Dyn. index: -
	Units group: -	Unit selection: -	Func. diagram: 2410
	Min	Max	Factory setting
	0 [s]	100 [s]	0 [s]

Description: Sets the delay time to initiate fault F01910 after a setpoint failure.
The time until the fault is initiated can be used by the application. This means that it is possible to respond to the failure while the drive is still operational (e.g. emergency retraction).

Dependency: Refer to: r2043

p2047	PROFIBUS additional monitoring time / PB suppl t_monit		
G120C_DP	Access level: 3	Calculated: -	Data type: FloatingPoint32
	Can be changed: U, T	Scaling: -	Dyn. index: -
	Units group: -	Unit selection: -	Func. diagram: 2410
	Min	Max	Factory setting
	0 [ms]	20000 [ms]	0 [ms]

Description: Sets the additional monitoring time to monitor the process data received via PROFIBUS.
Enables short bus faults to be compensated.

If no process data is received within this time, then an appropriate message is output.

Note: For controller STOP, the additional monitoring time is not effective.

r2050[0...11]	CO: PROFIBUS PZD receive word / PZD rcv word		
	Access level: 3	Calculated: -	Data type: Integer16
	Can be changed: -	Scaling: 4000H	Dyn. index: -
	Units group: -	Unit selection: -	Func. diagram: 2440, 2468, 9360
	Min	Max	Factory setting
	-	-	-

Description: Connector output to interconnect PZD (setpoints) with word format received from the fieldbus controller.

Index:
 [0] = PZD 1
 [1] = PZD 2
 [2] = PZD 3
 [3] = PZD 4
 [4] = PZD 5
 [5] = PZD 6
 [6] = PZD 7

[7] = PZD 8
 [8] = PZD 9
 [9] = PZD 10
 [10] = PZD 11
 [11] = PZD 12

Notice: Where there is a multiple interconnection of a connector output, all the connector inputs must either have Integer or FloatingPoint data types. A BICO interconnection for a single PZD can only take place either on r2050 or r2060.

p2051[0...13] CI: PROFIdrive PZD send word / PZD send word

G120C_CAN	Access level: 3	Calculated: -	Data type: U32 / Integer16
G120C_USS	Can be changed: U, T	Scaling: 4000H	Dyn. index: -
	Units group: -	Unit selection: -	Func. diagram: 2450, 2470, 9370
	Min	Max	Factory setting
	-	-	0

Description: Selects the PZD (actual values) with word format to be sent to the fieldbus controller.

Index: [0] = PZD 1
 [1] = PZD 2
 [2] = PZD 3
 [3] = PZD 4
 [4] = PZD 5
 [5] = PZD 6
 [6] = PZD 7
 [7] = PZD 8
 [8] = PZD 9
 [9] = PZD 10
 [10] = PZD 11
 [11] = PZD 12
 [12] = PZD 13
 [13] = PZD 14

Notice: The parameter may be protected as a result of p0922 or p2079 and cannot be changed.

p2051[0...13] CI: PROFIdrive PZD send word / PZD send word

G120C_DP	Access level: 3	Calculated: -	Data type: U32 / Integer16
G120C_PN	Can be changed: U, T	Scaling: 4000H	Dyn. index: -
	Units group: -	Unit selection: -	Func. diagram: 2450, 2470, 9370
	Min	Max	Factory setting
	-	-	[0] 2089[0] [1] 63[0] [2...13] 0

Description: Selects the PZD (actual values) with word format to be sent to the fieldbus controller.

Index: [0] = PZD 1
 [1] = PZD 2
 [2] = PZD 3
 [3] = PZD 4
 [4] = PZD 5
 [5] = PZD 6
 [6] = PZD 7
 [7] = PZD 8
 [8] = PZD 9
 [9] = PZD 10
 [10] = PZD 11
 [11] = PZD 12
 [12] = PZD 13
 [13] = PZD 14

Notice: The parameter may be protected as a result of p0922 or p2079 and cannot be changed.

r2053[0...13]		PROFIdrive diagnostics send PZD word / Diag send word			
	Access level: 3	Calculated: -	Data type: Unsigned16		
	Can be changed: -	Scaling: -	Dyn. index: -		
	Units group: -	Unit selection: -	Func. diagram: 2450, 2470, 9370		
	Min	Max	Factory setting		
	-	-	-		
Description:	Displays the PZD (actual values) with word format sent to the fieldbus controller.				
Index:	[0] = PZD 1 [1] = PZD 2 [2] = PZD 3 [3] = PZD 4 [4] = PZD 5 [5] = PZD 6 [6] = PZD 7 [7] = PZD 8 [8] = PZD 9 [9] = PZD 10 [10] = PZD 11 [11] = PZD 12 [12] = PZD 13 [13] = PZD 14				
Bit field:	Bit	Signal name	1 signal	0 signal	FP
	00	Bit 0	ON	OFF	-
	01	Bit 1	ON	OFF	-
	02	Bit 2	ON	OFF	-
	03	Bit 3	ON	OFF	-
	04	Bit 4	ON	OFF	-
	05	Bit 5	ON	OFF	-
	06	Bit 6	ON	OFF	-
	07	Bit 7	ON	OFF	-
	08	Bit 8	ON	OFF	-
	09	Bit 9	ON	OFF	-
	10	Bit 10	ON	OFF	-
	11	Bit 11	ON	OFF	-
	12	Bit 12	ON	OFF	-
	13	Bit 13	ON	OFF	-
	14	Bit 14	ON	OFF	-
	15	Bit 15	ON	OFF	-

r2054		PROFIBUS status / PB status			
G120C_DP	Access level: 3	Calculated: -	Data type: Integer16		
	Can be changed: -	Scaling: -	Dyn. index: -		
	Units group: -	Unit selection: -	Func. diagram: 2410		
	Min	Max	Factory setting		
	0	4	-		
Description:	Status display for the PROFIBUS interface.				
Value:	0: OFF 1: No connection (search for baud rate) 2: Connection OK (baud rate found) 3: Cyclic connection with master (data exchange) 4: Cyclic data OK				

r2055[0...2]	PROFIBUS diagnostics standard / PB diag standard		
G120C_DP	Access level: 3	Calculated: -	Data type: Unsigned16
	Can be changed: -	Scaling: -	Dyn. index: -
	Units group: -	Unit selection: -	Func. diagram: 2410
	Min	Max	Factory setting
	-	-	-
Description:	Diagnostics display for the PROFIBUS interface.		
Index:	[0] = Master bus address [1] = Master input total length bytes [2] = Master output total length bytes		
r2057	PROFIBUS address switch diagnostics / PB addr_sw diag		
G120C_DP	Access level: 3	Calculated: -	Data type: Unsigned16
	Can be changed: -	Scaling: -	Dyn. index: -
	Units group: -	Unit selection: -	Func. diagram: 2410
	Min	Max	Factory setting
	-	-	-
Description:	Displays the setting of the PROFIBUS address switch "DP ADDRESS" on the Control Unit.		
Dependency:	Refer to: p0918		
Notice:	The display is updated after switching on, and not cyclically.		
r2060[0...10]	CO: PROFIdrive PZD receive double word / PZD recv DW		
	Access level: 3	Calculated: -	Data type: Integer32
	Can be changed: -	Scaling: 4000H	Dyn. index: -
	Units group: -	Unit selection: -	Func. diagram: 2440, 2468
	Min	Max	Factory setting
	-	-	-
Description:	Connector output to interconnect PZD (setpoints) with double word format received from the fieldbus controller.		
Index:	[0] = PZD 1 + 2 [1] = PZD 2 + 3 [2] = PZD 3 + 4 [3] = PZD 4 + 5 [4] = PZD 5 + 6 [5] = PZD 6 + 7 [6] = PZD 7 + 8 [7] = PZD 8 + 9 [8] = PZD 9 + 10 [9] = PZD 10 + 11 [10] = PZD 11 + 12		
Dependency:	Refer to: r2050		
Notice:	Where there is a multiple interconnection of a connector output, all the connector inputs must either have Integer or FloatingPoint data types. A BICO interconnection for a single PZD can only take place either on r2050 or r2060.		
p2061[0...12]	CI: PROFIBUS PZD send double word / PZD send DW		
	Access level: 3	Calculated: -	Data type: U32 / Integer32
	Can be changed: U, T	Scaling: 4000H	Dyn. index: -
	Units group: -	Unit selection: -	Func. diagram: 2470
	Min	Max	Factory setting
	-	-	0
Description:	Selects the PZD (actual values) with double word format to be sent to the fieldbus controller.		
Index:	[0] = PZD 1 + 2 [1] = PZD 2 + 3 [2] = PZD 3 + 4 [3] = PZD 4 + 5		

2 Parameters

2.2 List of parameters

[4] = PZD 5 + 6
 [5] = PZD 6 + 7
 [6] = PZD 7 + 8
 [7] = PZD 8 + 9
 [8] = PZD 9 + 10
 [9] = PZD 10 + 11
 [10] = PZD 11 + 12
 [11] = PZD 12 + 13
 [12] = PZD 13 + 14

Dependency:

Refer to: p2051

Notice:

A BICO interconnection for a single PZD can only take place either on p2051 or p2061.
 The parameter may be protected as a result of p0922 or p2079 and cannot be changed.

r2063[0...12]

PROFIdrive diagnostics PZD send double word / Diag send DW

Access level: 3	Calculated: -	Data type: Unsigned32
Can be changed: -	Scaling: -	Dyn. index: -
Units group: -	Unit selection: -	Func. diagram: 2470
Min	Max	Factory setting
-	-	-

Description:

Displays the PZD (actual values) with double word format sent to the fieldbus controller.

Index:

[0] = PZD 1 + 2
 [1] = PZD 2 + 3
 [2] = PZD 3 + 4
 [3] = PZD 4 + 5
 [4] = PZD 5 + 6
 [5] = PZD 6 + 7
 [6] = PZD 7 + 8
 [7] = PZD 8 + 9
 [8] = PZD 9 + 10
 [9] = PZD 10 + 11
 [10] = PZD 11 + 12
 [11] = PZD 12 + 13
 [12] = PZD 13 + 14

Bit field:

Bit	Signal name	1 signal	0 signal	FP
00	Bit 0	ON	OFF	-
01	Bit 1	ON	OFF	-
02	Bit 2	ON	OFF	-
03	Bit 3	ON	OFF	-
04	Bit 4	ON	OFF	-
05	Bit 5	ON	OFF	-
06	Bit 6	ON	OFF	-
07	Bit 7	ON	OFF	-
08	Bit 8	ON	OFF	-
09	Bit 9	ON	OFF	-
10	Bit 10	ON	OFF	-
11	Bit 11	ON	OFF	-
12	Bit 12	ON	OFF	-
13	Bit 13	ON	OFF	-
14	Bit 14	ON	OFF	-
15	Bit 15	ON	OFF	-
16	Bit 16	ON	OFF	-
17	Bit 17	ON	OFF	-
18	Bit 18	ON	OFF	-
19	Bit 19	ON	OFF	-
20	Bit 20	ON	OFF	-
21	Bit 21	ON	OFF	-
22	Bit 22	ON	OFF	-
23	Bit 23	ON	OFF	-
24	Bit 24	ON	OFF	-
25	Bit 25	ON	OFF	-
26	Bit 26	ON	OFF	-
27	Bit 27	ON	OFF	-

28	Bit 28	ON	OFF	-
29	Bit 29	ON	OFF	-
30	Bit 30	ON	OFF	-
31	Bit 31	ON	OFF	-

Notice: A maximum of 4 indices of the "trace" function can be used.

r2067[0...1] PZD maximum interconnected / PZDmaxIntercon

Access level: 3	Calculated: -	Data type: Unsigned16
Can be changed: -	Scaling: -	Dyn. index: -
Units group: -	Unit selection: -	Func. diagram: -
Min	Max	Factory setting
-	-	-

Description: Display for the maximum interconnected PZD in the receive/send direction
 Index 0: receive (r2050, r2060)
 Index 1: send (p2051, p2061)

p2072 Response receive value after PZD failure / Resp aft PZD fail

Access level: 3	Calculated: -	Data type: Unsigned32
Can be changed: T	Scaling: -	Dyn. index: -
Units group: -	Unit selection: -	Func. diagram: -
Min	Max	Factory setting
-	-	0000 bin

Description: Sets the response for the receive value (r2090) after PZD failure.

Bit field:	Bit	Signal name	1 signal	0 signal	FP
	00	Unconditionally open holding brake (p0855)	Freeze value	Zero the value	-

r2074[0...11] PROFIdrive diagnostics bus address PZD receive / Diag addr recv

G120C_DP	Access level: 3	Calculated: -	Data type: Unsigned16
	Can be changed: -	Scaling: -	Dyn. index: -
	Units group: -	Unit selection: -	Func. diagram: -
	Min	Max	Factory setting
	-	-	-

Description: Displays the PROFIBUS address of the sender from which the process data (PZD) is received.

Index:
 [0] = PZD 1
 [1] = PZD 2
 [2] = PZD 3
 [3] = PZD 4
 [4] = PZD 5
 [5] = PZD 6
 [6] = PZD 7
 [7] = PZD 8
 [8] = PZD 9
 [9] = PZD 10
 [10] = PZD 11
 [11] = PZD 12

Note: Value range:
 0 - 125: Bus address of the sender
 65535: Not assigned

r2075[0...11]	PROFIdrive diagnostics telegram offset PZD receive / Diag offs recv		
G120C_DP	Access level: 3	Calculated: -	Data type: Unsigned16
	Can be changed: -	Scaling: -	Dyn. index: -
	Units group: -	Unit selection: -	Func. diagram: 2410
	Min	Max	Factory setting
	-	-	-
Description:	Displays the PZD byte offset in the PROFIdrive receive telegram (controller output).		
Index:	[0] = PZD 1 [1] = PZD 2 [2] = PZD 3 [3] = PZD 4 [4] = PZD 5 [5] = PZD 6 [6] = PZD 7 [7] = PZD 8 [8] = PZD 9 [9] = PZD 10 [10] = PZD 11 [11] = PZD 12		
Note:	Value range: 0 - 242: Byte offset 65535: Not assigned		
r2076[0...13]	PROFIdrive diagnostics telegram offset PZD send / Diag offs send		
G120C_DP	Access level: 3	Calculated: -	Data type: Unsigned16
	Can be changed: -	Scaling: -	Dyn. index: -
	Units group: -	Unit selection: -	Func. diagram: 2410
	Min	Max	Factory setting
	-	-	-
Description:	Displays the PZD byte offset in the PROFIdrive send telegram (controller input).		
Index:	[0] = PZD 1 [1] = PZD 2 [2] = PZD 3 [3] = PZD 4 [4] = PZD 5 [5] = PZD 6 [6] = PZD 7 [7] = PZD 8 [8] = PZD 9 [9] = PZD 10 [10] = PZD 11 [11] = PZD 12 [12] = PZD 13 [13] = PZD 14		
Note:	Value range: 0 - 242: Byte offset 65535: Not assigned		
r2077[0...15]	PROFIBUS diagnostics peer-to-peer data transfer addresses / PB diag peer addr		
G120C_DP	Access level: 3	Calculated: -	Data type: Unsigned8
G120C_PN	Can be changed: -	Scaling: -	Dyn. index: -
	Units group: -	Unit selection: -	Func. diagram: -
	Min	Max	Factory setting
	-	-	-
Description:	Displays the addresses of the slaves (peers) where peer-to-peer data transfer has been configured via PROFIBUS.		

p2079	PROFIdrive PZD telegram selection extended / PZD telegr ext		
G120C_DP	Access level: 3	Calculated: -	Data type: Integer16
G120C_PN	Can be changed: T	Scaling: -	Dyn. index: -
	Units group: -	Unit selection: -	Func. diagram: -
	Min	Max	Factory setting
	1	999	1
Description:	Sets the send and receive telegram. Contrary to p0922, a telegram can be selected using p2079 and subsequently expanded.		
Value:	1: Standard telegram 1, PZD-2/2 20: Standard telegram 20, PZD-2/6 352: SIEMENS telegram 352, PZD-6/6 353: SIEMENS telegram 353, PZD-2/2, PKW-4/4 354: SIEMENS telegram 354, PZD-6/6, PKW-4/4 999: Free telegram configuration with BICO		
Dependency:	Refer to: p0922		
Note:	For p0922 < 999 the following applies: p2079 has the same value and is inhibited. All of the interconnections and extensions contained in the telegram are inhibited. For p0922 = 999 the following applies: p2079 can be freely set. If p2079 is also set to 999, then all of the interconnections can be set. For p0922 = 999 and p2079 < 999 the following applies: The interconnections contained in the telegram are inhibited. However, the telegram can be extended.		

p2080[0...15]	BI: Binector-connector converter status word 1 / Bin/con ZSW1		
G120C_CAN	Access level: 3	Calculated: -	Data type: U32 / Binary
G120C_USS	Can be changed: U, T	Scaling: -	Dyn. index: -
	Units group: -	Unit selection: -	Func. diagram: 2472
	Min	Max	Factory setting
	-	-	0
Description:	Selects bits to be sent to the PROFIdrive controller. The individual bits are combined to form status word 1.		
Index:	[0] = Bit 0 [1] = Bit 1 [2] = Bit 2 [3] = Bit 3 [4] = Bit 4 [5] = Bit 5 [6] = Bit 6 [7] = Bit 7 [8] = Bit 8 [9] = Bit 9 [10] = Bit 10 [11] = Bit 11 [12] = Bit 12 [13] = Bit 13 [14] = Bit 14 [15] = Bit 15		
Dependency:	Refer to: p2088, r2089		
Notice:	The parameter may be protected as a result of p0922 or p2079 and cannot be changed.		

p2080[0...15]		BI: Binector-connector converter status word 1 / Bin/con ZSW1	
G120C_DP	Access level: 3	Calculated: -	Data type: U32 / Binary
G120C_PN	Can be changed: U, T	Scaling: -	Dyn. index: -
	Units group: -	Unit selection: -	Func. diagram: 2472
	Min	Max	Factory setting
	-	-	[0] 899.0
			[1] 899.1
			[2] 899.2
			[3] 2139.3
			[4] 899.4
			[5] 899.5
			[6] 899.6
			[7] 2139.7
			[8] 2197.7
			[9] 899.9
			[10] 2199.1
			[11] 1407.7
			[12] 899.12
			[13] 2135.14
			[14] 2197.3
			[15] 2135.15

Description: Selects bits to be sent to the PROFIdrive controller.
The individual bits are combined to form status word 1.

- Index:**
- [0] = Bit 0
 - [1] = Bit 1
 - [2] = Bit 2
 - [3] = Bit 3
 - [4] = Bit 4
 - [5] = Bit 5
 - [6] = Bit 6
 - [7] = Bit 7
 - [8] = Bit 8
 - [9] = Bit 9
 - [10] = Bit 10
 - [11] = Bit 11
 - [12] = Bit 12
 - [13] = Bit 13
 - [14] = Bit 14
 - [15] = Bit 15

Dependency: Refer to: p2088, r2089

Notice: The parameter may be protected as a result of p0922 or p2079 and cannot be changed.

p2088[0...4]		Invert binector-connector converter status word / Bin/con ZSW inv	
G120C_CAN	Access level: 3	Calculated: -	Data type: Unsigned16
G120C_USS	Can be changed: U, T	Scaling: -	Dyn. index: -
	Units group: -	Unit selection: -	Func. diagram: 2472
	Min	Max	Factory setting
	-	-	0000 0000 0000 0000 bin

Description: Setting to invert the individual binector inputs of the binector connector converter.

- Index:**
- [0] = Status word 1
 - [1] = Status word 2
 - [2] = Free status word 3
 - [3] = Free status word 4
 - [4] = Free status word 5

Bit field:	Bit	Signal name	1 signal	0 signal	FP
	00	Bit 0	Inverted	Not inverted	-
	01	Bit 1	Inverted	Not inverted	-
	02	Bit 2	Inverted	Not inverted	-
	03	Bit 3	Inverted	Not inverted	-
	04	Bit 4	Inverted	Not inverted	-
	05	Bit 5	Inverted	Not inverted	-
	06	Bit 6	Inverted	Not inverted	-
	07	Bit 7	Inverted	Not inverted	-
	08	Bit 8	Inverted	Not inverted	-
	09	Bit 9	Inverted	Not inverted	-
	10	Bit 10	Inverted	Not inverted	-
	11	Bit 11	Inverted	Not inverted	-
	12	Bit 12	Inverted	Not inverted	-
	13	Bit 13	Inverted	Not inverted	-
	14	Bit 14	Inverted	Not inverted	-
	15	Bit 15	Inverted	Not inverted	-

Dependency: Refer to: p2080, r2089

p2088[0...4] Invert binector-connector converter status word / Bin/con ZSW inv

G120C_DP	Access level: 3	Calculated: -	Data type: Unsigned16
G120C_PN	Can be changed: U, T	Scaling: -	Dyn. index: -
	Units group: -	Unit selection: -	Func. diagram: 2472
	Min	Max	Factory setting
	-	-	[0] 1010 1000 0000 0000 bin [1...4] 0000 0000 0000 0000 bin

Description: Setting to invert the individual binector inputs of the binector connector converter.

Index:
 [0] = Status word 1
 [1] = Status word 2
 [2] = Free status word 3
 [3] = Free status word 4
 [4] = Free status word 5

Bit field:	Bit	Signal name	1 signal	0 signal	FP
	00	Bit 0	Inverted	Not inverted	-
	01	Bit 1	Inverted	Not inverted	-
	02	Bit 2	Inverted	Not inverted	-
	03	Bit 3	Inverted	Not inverted	-
	04	Bit 4	Inverted	Not inverted	-
	05	Bit 5	Inverted	Not inverted	-
	06	Bit 6	Inverted	Not inverted	-
	07	Bit 7	Inverted	Not inverted	-
	08	Bit 8	Inverted	Not inverted	-
	09	Bit 9	Inverted	Not inverted	-
	10	Bit 10	Inverted	Not inverted	-
	11	Bit 11	Inverted	Not inverted	-
	12	Bit 12	Inverted	Not inverted	-
	13	Bit 13	Inverted	Not inverted	-
	14	Bit 14	Inverted	Not inverted	-
	15	Bit 15	Inverted	Not inverted	-

Dependency: Refer to: p2080, r2089

r2089[0...4] CO: Send binector-connector converter status word / Bin/con ZSW send

Access level: 3	Calculated: -	Data type: Unsigned16
Can be changed: -	Scaling: -	Dyn. index: -
Units group: -	Unit selection: -	Func. diagram: 2472
Min	Max	Factory setting
-	-	-

Description: Connector output to interconnect the status words to a PZD send word.

Index:
 [0] = Status word 1
 [1] = Status word 2

2 Parameters

2.2 List of parameters

[2] = Free status word 3

[3] = Free status word 4

[4] = Free status word 5

Bit field:	Bit	Signal name	1 signal	0 signal	FP
	00	Bit 0	ON	OFF	-
	01	Bit 1	ON	OFF	-
	02	Bit 2	ON	OFF	-
	03	Bit 3	ON	OFF	-
	04	Bit 4	ON	OFF	-
	05	Bit 5	ON	OFF	-
	06	Bit 6	ON	OFF	-
	07	Bit 7	ON	OFF	-
	08	Bit 8	ON	OFF	-
	09	Bit 9	ON	OFF	-
	10	Bit 10	ON	OFF	-
	11	Bit 11	ON	OFF	-
	12	Bit 12	ON	OFF	-
	13	Bit 13	ON	OFF	-
	14	Bit 14	ON	OFF	-
	15	Bit 15	ON	OFF	-

Dependency: Refer to: p2051, p2080

r2090.0...15 **BO: PROFIdrive PZD1 receive bit-serial / PZD1 recv bitw**

Access level: 3	Calculated: -	Data type: Unsigned16
Can be changed: -	Scaling: -	Dyn. index: -
Units group: -	Unit selection: -	Func. diagram: 2468, 9204, 9206, 9360
Min	Max	Factory setting
-	-	-

Description: Binector output for bit-serial interconnection of PZD1 (normally control word 1) received from the PROFIdrive controller.

Bit field:	Bit	Signal name	1 signal	0 signal	FP
	00	Bit 0	ON	OFF	-
	01	Bit 1	ON	OFF	-
	02	Bit 2	ON	OFF	-
	03	Bit 3	ON	OFF	-
	04	Bit 4	ON	OFF	-
	05	Bit 5	ON	OFF	-
	06	Bit 6	ON	OFF	-
	07	Bit 7	ON	OFF	-
	08	Bit 8	ON	OFF	-
	09	Bit 9	ON	OFF	-
	10	Bit 10	ON	OFF	-
	11	Bit 11	ON	OFF	-
	12	Bit 12	ON	OFF	-
	13	Bit 13	ON	OFF	-
	14	Bit 14	ON	OFF	-
	15	Bit 15	ON	OFF	-

r2091.0...15 **BO: PROFIdrive PZD2 receive bit-serial / PZD2 recv bitw**

G120C_CAN	Access level: 3	Calculated: -	Data type: Unsigned16
	Can be changed: -	Scaling: -	Dyn. index: -
	Units group: -	Unit selection: -	Func. diagram: 2468, 9204, 9206
	Min	Max	Factory setting
	-	-	-

Description: Binector output for bit-serial interconnection of PZD2 received from the PROFIdrive controller.

Bit field:	Bit	Signal name	1 signal	0 signal	FP
	00	Bit 0	ON	OFF	-
	01	Bit 1	ON	OFF	-
	02	Bit 2	ON	OFF	-

03	Bit 3	ON	OFF	-
04	Bit 4	ON	OFF	-
05	Bit 5	ON	OFF	-
06	Bit 6	ON	OFF	-
07	Bit 7	ON	OFF	-
08	Bit 8	ON	OFF	-
09	Bit 9	ON	OFF	-
10	Bit 10	ON	OFF	-
11	Bit 11	ON	OFF	-
12	Bit 12	ON	OFF	-
13	Bit 13	ON	OFF	-
14	Bit 14	ON	OFF	-
15	Bit 15	ON	OFF	-

r2091.0...15**BO: PROFIdrive PZD2 receive bit-serial / PZD2 recv bitw**

G120C_DP	Access level: 3	Calculated: -	Data type: Unsigned16
G120C_PN	Can be changed: -	Scaling: -	Dyn. index: -
G120C_USS	Units group: -	Unit selection: -	Func. diagram: 2468
	Min	Max	Factory setting
	-	-	-

Description:

Binector output for bit-serial interconnection of PZD2 received from the PROFIdrive controller.

Bit field:

Bit	Signal name	1 signal	0 signal	FP
00	Bit 0	ON	OFF	-
01	Bit 1	ON	OFF	-
02	Bit 2	ON	OFF	-
03	Bit 3	ON	OFF	-
04	Bit 4	ON	OFF	-
05	Bit 5	ON	OFF	-
06	Bit 6	ON	OFF	-
07	Bit 7	ON	OFF	-
08	Bit 8	ON	OFF	-
09	Bit 9	ON	OFF	-
10	Bit 10	ON	OFF	-
11	Bit 11	ON	OFF	-
12	Bit 12	ON	OFF	-
13	Bit 13	ON	OFF	-
14	Bit 14	ON	OFF	-
15	Bit 15	ON	OFF	-

r2092.0...15**BO: PROFIdrive PZD3 receive bit-serial / PZD3 recv bitw**

G120C_CAN	Access level: 3	Calculated: -	Data type: Unsigned16
	Can be changed: -	Scaling: -	Dyn. index: -
	Units group: -	Unit selection: -	Func. diagram: 2468, 9204, 9206
	Min	Max	Factory setting
	-	-	-

Description:

Binector output for bit-serial interconnection of PZD3 received from the PROFIdrive controller.

Bit field:

Bit	Signal name	1 signal	0 signal	FP
00	Bit 0	ON	OFF	-
01	Bit 1	ON	OFF	-
02	Bit 2	ON	OFF	-
03	Bit 3	ON	OFF	-
04	Bit 4	ON	OFF	-
05	Bit 5	ON	OFF	-
06	Bit 6	ON	OFF	-
07	Bit 7	ON	OFF	-
08	Bit 8	ON	OFF	-
09	Bit 9	ON	OFF	-
10	Bit 10	ON	OFF	-
11	Bit 11	ON	OFF	-
12	Bit 12	ON	OFF	-

2 Parameters

2.2 List of parameters

13	Bit 13	ON	OFF	-
14	Bit 14	ON	OFF	-
15	Bit 15	ON	OFF	-

r2092.0...15 BO: PROFIdrive PZD3 receive bit-serial / PZD3 recv bitw

G120C_DP	Access level: 3	Calculated: -	Data type: Unsigned16
G120C_PN	Can be changed: -	Scaling: -	Dyn. index: -
G120C_USS	Units group: -	Unit selection: -	Func. diagram: 2468
	Min	Max	Factory setting
	-	-	-

Description: Binector output for bit-serial interconnection of PZD3 received from the PROFIdrive controller.

Bit field:	Bit	Signal name	1 signal	0 signal	FP
	00	Bit 0	ON	OFF	-
	01	Bit 1	ON	OFF	-
	02	Bit 2	ON	OFF	-
	03	Bit 3	ON	OFF	-
	04	Bit 4	ON	OFF	-
	05	Bit 5	ON	OFF	-
	06	Bit 6	ON	OFF	-
	07	Bit 7	ON	OFF	-
	08	Bit 8	ON	OFF	-
	09	Bit 9	ON	OFF	-
	10	Bit 10	ON	OFF	-
	11	Bit 11	ON	OFF	-
	12	Bit 12	ON	OFF	-
	13	Bit 13	ON	OFF	-
	14	Bit 14	ON	OFF	-
	15	Bit 15	ON	OFF	-

r2093.0...15 BO: PROFIdrive PZD4 receive bit-serial / PZD4 recv bitw

G120C_CAN	Access level: 3	Calculated: -	Data type: Unsigned16
	Can be changed: -	Scaling: -	Dyn. index: -
	Units group: -	Unit selection: -	Func. diagram: 2468, 9204, 9206
	Min	Max	Factory setting
	-	-	-

Description: Binector output for bit-serial interconnection of PZD4 (normally control word 2) received from the PROFIdrive controller.

Bit field:	Bit	Signal name	1 signal	0 signal	FP
	00	Bit 0	ON	OFF	-
	01	Bit 1	ON	OFF	-
	02	Bit 2	ON	OFF	-
	03	Bit 3	ON	OFF	-
	04	Bit 4	ON	OFF	-
	05	Bit 5	ON	OFF	-
	06	Bit 6	ON	OFF	-
	07	Bit 7	ON	OFF	-
	08	Bit 8	ON	OFF	-
	09	Bit 9	ON	OFF	-
	10	Bit 10	ON	OFF	-
	11	Bit 11	ON	OFF	-
	12	Bit 12	ON	OFF	-
	13	Bit 13	ON	OFF	-
	14	Bit 14	ON	OFF	-
	15	Bit 15	ON	OFF	-

r2093.0...15		BO: PROFIdrive PZD4 receive bit-serial / PZD4 recv bitw			
G120C_DP	Access level: 3	Calculated: -	Data type: Unsigned16		
G120C_PN	Can be changed: -	Scaling: -	Dyn. index: -		
G120C_USS	Units group: -	Unit selection: -	Func. diagram: 2468		
	Min	Max	Factory setting		
	-	-	-		
Description:	Binector output for bit-serial interconnection of PZD4 (normally control word 2) received from the PROFIdrive controller.				
Bit field:	Bit	Signal name	1 signal	0 signal	FP
	00	Bit 0	ON	OFF	-
	01	Bit 1	ON	OFF	-
	02	Bit 2	ON	OFF	-
	03	Bit 3	ON	OFF	-
	04	Bit 4	ON	OFF	-
	05	Bit 5	ON	OFF	-
	06	Bit 6	ON	OFF	-
	07	Bit 7	ON	OFF	-
	08	Bit 8	ON	OFF	-
	09	Bit 9	ON	OFF	-
	10	Bit 10	ON	OFF	-
	11	Bit 11	ON	OFF	-
	12	Bit 12	ON	OFF	-
	13	Bit 13	ON	OFF	-
	14	Bit 14	ON	OFF	-
	15	Bit 15	ON	OFF	-

r2094.0...15		BO: Connector-binector converter binector output / Con/bin outp			
	Access level: 3	Calculated: -	Data type: Unsigned16		
	Can be changed: -	Scaling: -	Dyn. index: -		
	Units group: -	Unit selection: -	Func. diagram: 2468, 9360		
	Min	Max	Factory setting		
	-	-	-		
Description:	Binector output for bit-serial onward interconnection of a PZD word received from the PROFIdrive controller. The PZD is selected via p2099[0].				
Bit field:	Bit	Signal name	1 signal	0 signal	FP
	00	Bit 0	ON	OFF	-
	01	Bit 1	ON	OFF	-
	02	Bit 2	ON	OFF	-
	03	Bit 3	ON	OFF	-
	04	Bit 4	ON	OFF	-
	05	Bit 5	ON	OFF	-
	06	Bit 6	ON	OFF	-
	07	Bit 7	ON	OFF	-
	08	Bit 8	ON	OFF	-
	09	Bit 9	ON	OFF	-
	10	Bit 10	ON	OFF	-
	11	Bit 11	ON	OFF	-
	12	Bit 12	ON	OFF	-
	13	Bit 13	ON	OFF	-
	14	Bit 14	ON	OFF	-
	15	Bit 15	ON	OFF	-
Dependency:	Refer to: p2099				

p2099[0...1]	CI: Connector-binector converter signal source / Con/bin S_src		
	Access level: 3	Calculated: -	Data type: U32 / Integer16
	Can be changed: U, T	Scaling: -	Dyn. index: -
	Units group: -	Unit selection: -	Func. diagram: 2468, 9360
	Min	Max	Factory setting
	-	-	0
Description:	Sets the signal source for the connector-binector converter. A PZD receive word can be selected as signal source. The signals are available to be serially passed-on (interconnection).		
Dependency:	Refer to: r2094, r2095		
Note:	From the signal source set via the connector input, the corresponding lower 16 bits are converted. p2099[0...1] together with r2094.0...15 and r2095.0...15 forms two connector-binector converters: Connector input p2099[0] to binector output in r2094.0...15 Connector input p2099[1] to binector output in r2095.0...15		
p2100[0...19]	Change fault response fault number / Chng resp F_no		
	Access level: 3	Calculated: -	Data type: Unsigned16
	Can be changed: U, T	Scaling: -	Dyn. index: -
	Units group: -	Unit selection: -	Func. diagram: 8050, 8075
	Min	Max	Factory setting
	0	65535	0
Description:	Selects the faults for which the fault response should be changed		
Dependency:	The fault is selected and the required response is set under the same index. Refer to: p2101		
Note:	Re-parameterization is also possible if a fault is present. The change only becomes effective after the fault has been resolved.		
p2101[0...19]	Change fault response response / Chng resp resp		
	Access level: 3	Calculated: -	Data type: Integer16
	Can be changed: U, T	Scaling: -	Dyn. index: -
	Units group: -	Unit selection: -	Func. diagram: 8050, 8075
	Min	Max	Factory setting
	0	6	0
Description:	Sets the fault response for the selected fault.		
Value:	0: NONE 1: OFF1 2: OFF2 3: OFF3 5: STOP2 6: Internal armature short-circuit / DC braking		
Dependency:	The fault is selected and the required response is set under the same index. Refer to: p2100		
Notice:	For the following cases, it is not possible to re-parameterize the fault response to a fault: - Fault number does not exist (exception value = 0). - Message type is not "fault" (F). - Fault response is not permissible for the set fault number.		
Note:	Re-parameterization is also possible if a fault is present. The change only becomes effective after the fault has been resolved. The fault response can only be changed for faults with the appropriate identification. Example: F12345 and fault response = NONE (OFF1, OFF2) --> The fault response NONE can be changed to OFF1 or OFF2. Re value = 1 (OFF1): Braking along the ramp-function generator down ramp followed by a pulse inhibit.		

2 Parameters

2.2 List of parameters

Re value = 2 (OFF2):
Internal/external pulse inhibit.
Re value = 3 (OFF3):
Braking along the OFF3 down ramp followed by a pulse inhibit.
Re value = 5 (STOP2):
n_set = 0
Re value = 6 (armature short-circuit, internal/DC braking):
This value can only be set for all drive data sets when p1231 = 4.
a) DC braking is not possible for synchronous motors.
b) DC braking is possible for induction motors.

p2103[0...n]	BI: 1. Acknowledge faults / 1. Acknowledge		
G120C_CAN	Access level: 3	Calculated: -	Data type: U32 / Binary
G120C_USS	Can be changed: U, T	Scaling: -	Dyn. index: CDS, p0170
	Units group: -	Unit selection: -	Func. diagram: 2441, 2442, 2443, 2447, 2475, 2546, 9220, 9677, 9678
	Min	Max	Factory setting
	-	-	[0] 722.2 [1] 0

Description: Sets the first signal source to acknowledge faults.
Notice: The parameter may be protected as a result of p0922 or p2079 and cannot be changed.
Note: A fault acknowledgement is triggered with a 0/1 signal.

p2103[0...n]	BI: 1. Acknowledge faults / 1. Acknowledge		
G120C_DP	Access level: 3	Calculated: -	Data type: U32 / Binary
G120C_PN	Can be changed: U, T	Scaling: -	Dyn. index: CDS, p0170
	Units group: -	Unit selection: -	Func. diagram: 2441, 2442, 2443, 2447, 2475, 2546, 9220, 9677, 9678
	Min	Max	Factory setting
	-	-	[0] 2090.7 [1] 722.2

Description: Sets the first signal source to acknowledge faults.
Notice: The parameter may be protected as a result of p0922 or p2079 and cannot be changed.
Note: A fault acknowledgement is triggered with a 0/1 signal.

p2104[0...n]	BI: 2. Acknowledge faults / 2. Acknowledge		
G120C_CAN	Access level: 3	Calculated: -	Data type: U32 / Binary
G120C_USS	Can be changed: U, T	Scaling: -	Dyn. index: CDS, p0170
	Units group: -	Unit selection: -	Func. diagram: 2546, 8060
	Min	Max	Factory setting
	-	-	0

Description: Sets the second signal source to acknowledge faults.
Note: A fault acknowledgement is triggered with a 0/1 signal.

p2104[0...n]	BI: 2. Acknowledge faults / 2. Acknowledge		
G120C_DP	Access level: 3	Calculated: -	Data type: U32 / Binary
G120C_PN	Can be changed: U, T	Scaling: -	Dyn. index: CDS, p0170
	Units group: -	Unit selection: -	Func. diagram: 2546, 8060
	Min	Max	Factory setting
	-	-	[0] 722.2 [1] 0

Description: Sets the second signal source to acknowledge faults.
Note: A fault acknowledgement is triggered with a 0/1 signal.

p2106[0...n]	BI: External fault 1 / External fault 1		
	Access level: 3	Calculated: -	Data type: U32 / Binary
	Can be changed: U, T	Scaling: -	Dyn. index: CDS, p0170
	Units group: -	Unit selection: -	Func. diagram: 2546
	Min	Max	Factory setting
	-	-	1
Description:	Sets the signal source for external fault 1.		
Note:	An external fault is triggered with a 1/0 signal.		
r2109[0...63]	Fault time removed in milliseconds / t_ft resolved ms		
	Access level: 4	Calculated: -	Data type: Unsigned32
	Can be changed: -	Scaling: -	Dyn. index: -
	Units group: -	Unit selection: -	Func. diagram: 8050, 8060
	Min	Max	Factory setting
	- [ms]	- [ms]	- [ms]
Description:	Displays the system runtime in milliseconds when the fault was removed.		
Dependency:	Refer to: r0945, r0947, r0948, r0949, r2130, r2133, r2136		
Notice:	The time comprises r2136 (days) and r2109 (milliseconds).		
Note:	The buffer parameters are cyclically updated in the background (refer to status signal in r2139). The structure of the fault buffer and the assignment of the indices is shown in r0945.		
r2110[0...63]	Alarm number / Alarm number		
	Access level: 2	Calculated: -	Data type: Unsigned16
	Can be changed: -	Scaling: -	Dyn. index: -
	Units group: -	Unit selection: -	Func. diagram: 8065
	Min	Max	Factory setting
	-	-	-
Description:	This parameter is identical to r2122.		
p2111	Alarm counter / Alarm counter		
	Access level: 3	Calculated: -	Data type: Unsigned16
	Can be changed: U, T	Scaling: -	Dyn. index: -
	Units group: -	Unit selection: -	Func. diagram: 8050, 8065
	Min	Max	Factory setting
	0	65535	0
Description:	Number of alarms that have occurred after the last reset.		
Dependency:	When p2111 is set to 0, the following is initiated: - all of the alarms of the alarm buffer that have gone [0...7] are transferred into the alarm history [8...63]. - the alarm buffer [0...7] is deleted.		
	Refer to: r2110, r2122, r2123, r2124, r2125		
Note:	The parameter is reset to 0 at POWER ON.		
p2112[0...n]	BI: External alarm 1 / External alarm 1		
	Access level: 3	Calculated: -	Data type: U32 / Binary
	Can be changed: U, T	Scaling: -	Dyn. index: CDS, p0170
	Units group: -	Unit selection: -	Func. diagram: 2546
	Min	Max	Factory setting
	-	-	1
Description:	Sets the signal source for external alarm 1.		
Note:	An external alarm is triggered with a 1/0 signal.		

r2120	CO: Sum of fault and alarm buffer changes / Sum buffer changed		
	Access level: 4	Calculated: -	Data type: Unsigned16
	Can be changed: -	Scaling: -	Dyn. index: -
	Units group: -	Unit selection: -	Func. diagram: 8065
	Min	Max	Factory setting
	-	-	-
Description:	Displays the sum of all of the fault and alarm buffer changes in the drive unit.		
Dependency:	Refer to: r0944		
r2122[0...63]	Alarm code / Alarm code		
	Access level: 2	Calculated: -	Data type: Unsigned16
	Can be changed: -	Scaling: -	Dyn. index: -
	Units group: -	Unit selection: -	Func. diagram: 8050, 8065
	Min	Max	Factory setting
	-	-	-
Description:	Displays the number of alarms that have occurred.		
Dependency:	Refer to: r2110, r2123, r2124, r2125, r2134, r3121, r3123		
Notice:	The properties of the alarm buffer should be taken from the corresponding product documentation.		
Note:	The buffer parameters are cyclically updated in the background (refer to status signal in r2139). Alarm buffer structure (general principle): r2122[0], r2124[0], r2123[0], r2125[0] --> alarm 1 (the oldest) ... r2122[7], r2124[7], r2123[7], r2125[7] --> Alarm 8 (the latest) When the alarm buffer is full, the alarms that have gone are entered into the alarm history: r2122[8], r2124[8], r2123[8], r2125[8] --> Alarm 1 (the latest) ... r2122[63], r2124[63], r2123[63], r2125[63] --> alarm 56 (the oldest)		
r2123[0...63]	Alarm time received in milliseconds / t_alarm rcv ms		
	Access level: 3	Calculated: -	Data type: Unsigned32
	Can be changed: -	Scaling: -	Dyn. index: -
	Units group: -	Unit selection: -	Func. diagram: 8050, 8065
	Min	Max	Factory setting
	- [ms]	- [ms]	- [ms]
Description:	Displays the system runtime in milliseconds when the alarm occurred.		
Dependency:	Refer to: r2110, r2122, r2124, r2125, r2134		
Note:	The buffer parameters are cyclically updated in the background (refer to status signal in r2139). The structure of the alarm buffer and the assignment of the indices is shown in r2122.		
r2124[0...63]	Alarm value / Alarm value		
	Access level: 3	Calculated: -	Data type: Integer32
	Can be changed: -	Scaling: -	Dyn. index: -
	Units group: -	Unit selection: -	Func. diagram: 8050, 8065
	Min	Max	Factory setting
	-	-	-
Description:	Displays additional information about the active alarm (as integer number).		
Dependency:	Refer to: r2110, r2122, r2123, r2125, r2134, r3121, r3123		
Note:	The buffer parameters are cyclically updated in the background (refer to status signal in r2139). The structure of the alarm buffer and the assignment of the indices is shown in r2122.		

r2125[0...63]	Alarm time removed in milliseconds / t_alarm res ms		
	Access level: 3	Calculated: -	Data type: Unsigned32
	Can be changed: -	Scaling: -	Dyn. index: -
	Units group: -	Unit selection: -	Func. diagram: 8050, 8065
	Min	Max	Factory setting
	- [ms]	- [ms]	- [ms]
Description:	Displays the system runtime in milliseconds when the alarm was cleared.		
Dependency:	Refer to: r2110, r2122, r2123, r2124, r2134		
Note:	The buffer parameters are cyclically updated in the background (refer to status signal in r2139). The structure of the alarm buffer and the assignment of the indices is shown in r2122.		
p2126[0...19]	Change acknowledge mode fault number / Chng ackn F_no		
	Access level: 3	Calculated: -	Data type: Unsigned16
	Can be changed: U, T	Scaling: -	Dyn. index: -
	Units group: -	Unit selection: -	Func. diagram: 8050, 8075
	Min	Max	Factory setting
	0	65535	0
Description:	Selects the faults for which the acknowledge mode is to be changed		
Dependency:	Selects the faults and sets the required acknowledge mode realized under the same index Refer to: p2127		
Note:	Re-parameterization is also possible if a fault is present. The change only becomes effective after the fault has been resolved.		
p2127[0...19]	Change acknowledge mode mode / Chng ackn mode		
	Access level: 3	Calculated: -	Data type: Integer16
	Can be changed: U, T	Scaling: -	Dyn. index: -
	Units group: -	Unit selection: -	Func. diagram: 8050, 8075
	Min	Max	Factory setting
	1	2	1
Description:	Sets the acknowledge mode for selected fault.		
Value:	1: Acknowledgment only using POWER ON 2: Ack IMMEDIATELY after the fault cause has been removed		
Dependency:	Selects the faults and sets the required acknowledge mode realized under the same index Refer to: p2126		
Notice:	It is not possible to re-parameterize the acknowledge mode for a fault in the following cases: - Fault number does not exist (exception value = 0). - Message type is not "fault" (F). - Acknowledge mode is not permissible for the set fault number.		
Note:	Re-parameterization is also possible if a fault is present. The change only becomes effective after the fault has been resolved. The acknowledge mode can only be changed for faults with the appropriate identification. Example: F12345 and acknowledge mode = IMMEDIATELY (POWER ON) --> The acknowledge mode can be changed from IMMEDIATELY to POWER ON.		
p2128[0...15]	Faults/alarms trigger selection / F/A trigger sel		
	Access level: 3	Calculated: -	Data type: Unsigned16
	Can be changed: U, T	Scaling: -	Dyn. index: -
	Units group: -	Unit selection: -	Func. diagram: 8050, 8070
	Min	Max	Factory setting
	0	65535	0
Description:	Sets the faults/alarms for which a trigger signal should be generated in r2129.0...15.		

2 Parameters

2.2 List of parameters

Dependency: If the fault/alarm set in p2128[0...15] occurs, then the particular binector output r2129.0...15 is set.
Refer to: r2129

r2129.0...15	CO/BO: Faults/alarms trigger signal / F/A trigger signal		
Access level: 3	Calculated: -	Data type: Unsigned16	
Can be changed: -	Scaling: -	Dyn. index: -	
Units group: -	Unit selection: -	Func. diagram: 8070	
Min	Max	Factory setting	
-	-	-	

Description: Display and BICO output for the trigger signals of the faults/alarms set in p2128[0...15].

Bit field:	Bit	Signal name	1 signal	0 signal	FP
	00	Trigger signal p2128[0]	ON	OFF	-
	01	Trigger signal p2128[1]	ON	OFF	-
	02	Trigger signal p2128[2]	ON	OFF	-
	03	Trigger signal p2128[3]	ON	OFF	-
	04	Trigger signal p2128[4]	ON	OFF	-
	05	Trigger signal p2128[5]	ON	OFF	-
	06	Trigger signal p2128[6]	ON	OFF	-
	07	Trigger signal p2128[7]	ON	OFF	-
	08	Trigger signal p2128[8]	ON	OFF	-
	09	Trigger signal p2128[9]	ON	OFF	-
	10	Trigger signal p2128[10]	ON	OFF	-
	11	Trigger signal p2128[11]	ON	OFF	-
	12	Trigger signal p2128[12]	ON	OFF	-
	13	Trigger signal p2128[13]	ON	OFF	-
	14	Trigger signal p2128[14]	ON	OFF	-
	15	Trigger signal p2128[15]	ON	OFF	-

Dependency: If the fault/alarm set in p2128[0...15] occurs, then the particular binector output r2129.0...15 is set.
Refer to: p2128

Note: CO: r2129 = 0 --> None of the selected messages has occurred.
CO: r2129 > 0 --> At least one of the selected messages has occurred.

r2130[0...63]	Fault time received in days / t_fault rcv days		
Access level: 3	Calculated: -	Data type: Unsigned16	
Can be changed: -	Scaling: -	Dyn. index: -	
Units group: -	Unit selection: -	Func. diagram: 8060	
Min	Max	Factory setting	
-	-	-	

Description: Displays the system runtime in days when the fault occurred.

Dependency: Refer to: r0945, r0947, r0948, r0949, r2109, r2133, r2136

Notice: The time comprises r2130 (days) and r0948 (milliseconds).
The value displayed in p2130 refers to 01.01.1970.

Note: The buffer parameters are cyclically updated in the background (refer to status signal in r2139).

r2131	CO: Actual fault code / Act fault code		
Access level: 3	Calculated: -	Data type: Unsigned16	
Can be changed: -	Scaling: -	Dyn. index: -	
Units group: -	Unit selection: -	Func. diagram: 8060	
Min	Max	Factory setting	
-	-	-	

Description: Displays the code of the oldest active fault.

Note: 0: No fault present.

r2132	CO: Actual alarm code / Actual alarm code			
	Access level: 3	Calculated: -	Data type: Unsigned16	
	Can be changed: -	Scaling: -	Dyn. index: -	
	Units group: -	Unit selection: -	Func. diagram: 8065	
	Min	Max	Factory setting	
	-	-	-	
Description:	Displays the code of the last alarm that occurred.			
Note:	0: No alarm present.			
r2133[0...63]	Fault value for float values / Fault val float			
	Access level: 3	Calculated: -	Data type: FloatingPoint32	
	Can be changed: -	Scaling: -	Dyn. index: -	
	Units group: -	Unit selection: -	Func. diagram: 8060	
	Min	Max	Factory setting	
	-	-	-	
Description:	Displays additional information about the fault that occurred for float values.			
Dependency:	Refer to: r0945, r0947, r0948, r0949, r2109, r2130, r2136			
Note:	The buffer parameters are cyclically updated in the background (refer to status signal in r2139).			
r2134[0...63]	Alarm value for float values / Alarm value float			
	Access level: 3	Calculated: -	Data type: FloatingPoint32	
	Can be changed: -	Scaling: -	Dyn. index: -	
	Units group: -	Unit selection: -	Func. diagram: 8065	
	Min	Max	Factory setting	
	-	-	-	
Description:	Displays additional information about the active alarm for float values.			
Dependency:	Refer to: r2110, r2122, r2123, r2124, r2125, r3121, r3123			
Note:	The buffer parameters are cyclically updated in the background (refer to status signal in r2139).			
r2135.12...15	CO/BO: Status word faults/alarms 2 / ZSW fault/alarm 2			
	Access level: 2	Calculated: -	Data type: Unsigned16	
	Can be changed: -	Scaling: -	Dyn. index: -	
	Units group: -	Unit selection: -	Func. diagram: 2548	
	Min	Max	Factory setting	
	-	-	-	
Description:	Display and BICO output for the second status word of faults and alarms.			
Bit field:	Bit	Signal name	1 signal	0 signal
	12	Fault motor overtemperature	Yes	No
	13	Fault power unit thermal overload	Yes	No
	14	Alarm motor overtemperature	Yes	No
	15	Alarm power unit thermal overload	Yes	No
				FP
				8016
				8014
				8016
				8014
r2136[0...63]	Fault time removed in days / t_flt resolv days			
	Access level: 3	Calculated: -	Data type: Unsigned16	
	Can be changed: -	Scaling: -	Dyn. index: -	
	Units group: -	Unit selection: -	Func. diagram: 8060	
	Min	Max	Factory setting	
	-	-	-	
Description:	Displays the system runtime in days when the fault was removed.			
Dependency:	Refer to: r0945, r0947, r0948, r0949, r2109, r2130, r2133			
Notice:	The time comprises r2136 (days) and r2109 (milliseconds).			
Note:	The buffer parameters are cyclically updated in the background (refer to status signal in r2139).			

p2153[0...n]	Speed actual value filter time constant / n_act_filt T		
	Access level: 3	Calculated: -	Data type: FloatingPoint32
	Can be changed: U, T	Scaling: -	Dyn. index: DDS, p0180
	Units group: -	Unit selection: -	Func. diagram: 8010
	Min	Max	Factory setting
	0 [ms]	1000000 [ms]	0 [ms]
Description:	Sets the time constant of the PT1 element to smooth the speed / velocity actual value. The smoothed actual speed/velocity is compared with the threshold values and is only used for messages and signals.		
Dependency:	Refer to: r2169		
p2156[0...n]	On delay comparison value reached / t_on cmptr val rchd		
	Access level: 3	Calculated: -	Data type: FloatingPoint32
	Can be changed: U, T	Scaling: -	Dyn. index: DDS, p0180
	Units group: -	Unit selection: -	Func. diagram: 8010
	Min	Max	Factory setting
	0.0 [ms]	10000.0 [ms]	0.0 [ms]
Description:	Sets the switch-in delay time for the signal "comparison value reached" (BO: r2199.1).		
Dependency:	Refer to: p2141, r2199		
r2169	CO: Actual speed smoothed signals / n_act smth message		
	Access level: 2	Calculated: -	Data type: FloatingPoint32
	Can be changed: -	Scaling: p2000	Dyn. index: -
	Units group: 3_1	Unit selection: p0505	Func. diagram: 8010
	Min	Max	Factory setting
	- [rpm]	- [rpm]	- [rpm]
Description:	Display and connector output of the smoothed speed actual value for messages.		
Dependency:	Refer to: p2153		
p2170[0...n]	Current threshold value / I_thres		
	Access level: 3	Calculated: p0340 = 1,3,5	Data type: FloatingPoint32
	Can be changed: U, T	Scaling: p2002	Dyn. index: DDS, p0180
	Units group: 6_2	Unit selection: p0505	Func. diagram: 8020
	Min	Max	Factory setting
	0.00 [Arms]	10000.00 [Arms]	0.00 [Arms]
Description:	Sets the absolute current threshold for the messages. "I_act >= I_threshold p2170" (BO: r2197.8) "I_act < I_threshold p2170" (BO: r2198.8)		
Dependency:	Refer to: p2171		
p2171[0...n]	Current threshold value reached delay time / I_thresh rch t_del		
	Access level: 3	Calculated: -	Data type: Unsigned16
	Can be changed: U, T	Scaling: -	Dyn. index: DDS, p0180
	Units group: -	Unit selection: -	Func. diagram: 8020
	Min	Max	Factory setting
	0 [ms]	10000 [ms]	10 [ms]
Description:	Sets the delay time for the comparison of the current actual value (r0068) with the current threshold value (p2170).		
Dependency:	Refer to: p2170		

p2174[0...n]	Torque threshold value 1 / M_thresh val 1		
	Access level: 3	Calculated: -	Data type: FloatingPoint32
	Can be changed: U, T	Scaling: -	Dyn. index: DDS, p0180
	Units group: 7_1	Unit selection: p0505	Func. diagram: 8012
	Min	Max	Factory setting
	0.00 [Nm]	20000000.00 [Nm]	5.13 [Nm]
Description:	Sets the torque threshold value for the messages: "Torque setpoint < torque threshold value 1 and n_set reached" (BO: r2198.9) "Torque setpoint < torque threshold value 1" (BO: r2198.10) "Torque setpoint > torque threshold value 1" (BO: r2198.13)		
Dependency:	Refer to: p2195, r2198		

p2194[0...n]	Torque threshold value 2 / M_thresh val 2		
	Access level: 3	Calculated: p0340 = 1,3,5	Data type: FloatingPoint32
	Can be changed: U, T	Scaling: -	Dyn. index: DDS, p0180
	Units group: -	Unit selection: -	Func. diagram: 8012
	Min	Max	Factory setting
	0.00 [%]	100.00 [%]	90.00 [%]
Description:	Sets the torque threshold value for the message "Torque utilization < torque threshold value 2" (BO: r2199.11). The message "torque setpoint < p2174" (BO: r2198.10) and "torque utilization < p2194" (BO: r2199.11) are only evaluated after the run-up and the delay time has expired.		
Dependency:	Refer to: r0033, p2195, r2199		

p2195[0...n]	Torque utilization switch-off delay / M_util t_off		
	Access level: 3	Calculated: -	Data type: FloatingPoint32
	Can be changed: U, T	Scaling: -	Dyn. index: DDS, p0180
	Units group: -	Unit selection: -	Func. diagram: 8012
	Min	Max	Factory setting
	0.0 [ms]	1000.0 [ms]	800.0 [ms]
Description:	Sets the switch-off delay time for the negated signal "run-up completed". The message "torque setpoint < p2174" (BO: r2198.10) and "torque utilization < p2194" (BO: r2199.11) are only evaluated after the run-up and the delay time has expired.		
Dependency:	Refer to: p2174, p2194		

r2197.0...13	CO/BO: Status word monitoring 1 / ZSW monitor 1				
	Access level: 3	Calculated: -	Data type: Unsigned16		
	Can be changed: -	Scaling: -	Dyn. index: -		
	Units group: -	Unit selection: -	Func. diagram: 2534		
	Min	Max	Factory setting		
	-	-	-		
Description:	Display and BICO output for the first status word of the monitoring functions.				
Bit field:	Bit	Signal name	1 signal	0 signal	FP
	00	n_act <= n_min p1080	Yes	No	8020
	01	Reserved	Yes	No	-
	02	Reserved	Yes	No	-
	03	n_act >= 0	Yes	No	8011
	04	n_act >= n_set	Yes	No	8020
	05	Reserved	Yes	No	-
	06	n_act > n_max	Yes	No	8010
	07	Speed setp - act val deviation in tolerance t_off	Yes	No	8011
	08	I_act >= I_threshold value p2170	Yes	No	8020
	09	Reserved	Yes	No	-
	10	Reserved	Yes	No	-

11	Output load is not present	Yes	No	8020
12	n_act > n_max (delayed)	Yes	No	8021
13	n_act > n_max (F07901)	Yes	No	-

Notice:

Re bit 06:

When the overspeed is reached, this bit is set and F07901 output immediately following this. The bit is canceled again as soon as the next pulse inhibit is present.

Note:

Re bit 00:

The threshold value is set in p1080 and the hysteresis in p2150.

Re bit 03:

1 signal direction of rotation positive.

0 signal: direction of rotation negative.

The hysteresis is set in p2150.

Re bit 04:

The threshold value is set in r1119 and the hysteresis in p2150.

Re bit 06:

The hysteresis is set in p2162.

Re bit 07:

The threshold value is set in p2163 and the hysteresis is set in p2164.

Re bit 08:

The threshold value is set in p2170 and the delay time in p2171.

Re bit 11:

The threshold value is set in p2179 and the delay time in p2180.

Re bit 12:

The threshold value is set in p2182, the hysteresis in p2162, and the delay time (for canceling the signal) in p2152.

Re bit 13:

Only for internal Siemens use.

r2198.0...13**CO/BO: Status word monitoring 2 / ZSW monitor 2****Access level:** 3**Calculated:** -**Data type:** Unsigned16**Can be changed:** -**Scaling:** -**Dyn. index:** -**Units group:** -**Unit selection:** -**Func. diagram:** 2536**Min****Max****Factory setting**

-

-

-

Description:

Display and BICO output for the second status word of the monitoring functions.

Bit field:

Bit	Signal name	1 signal	0 signal	FP
00	n_act <= speed threshold value 5	Yes	No	8021
01	n_act > speed threshold value 5	Yes	No	8021
02	n_act <= speed threshold value 6	Yes	No	8021
03	n_act > speed threshold value 6	Yes	No	8021
04	n_set < p2161	Yes	No	8011
05	n_set > 0	Yes	No	8011
06	Motor blocked	Yes	No	8012
07	Motor stalled	Yes	No	8012
08	I_act < I_threshold value p2170	Yes	No	8020
09	M_act > torque threshold value 1 and n_set reached	Yes	No	8021
10	M_set < torque threshold value 1	Yes	No	8012
11	Load monitoring signals an alarm	Yes	No	8013
12	Load monitoring signals a fault condition	Yes	No	8013
13	M_act > torque threshold value 1	Yes	No	8021

Note:

Re bit 10:

The torque threshold value 1 is set in p2174.

Re bit 12:

This bit is reset after the fault cause disappears, even if the fault itself is still present.

p2203[0...n]	CO: Technology controller fixed value 3 / Tec_ctr fix val 3		
	Access level: 2	Calculated: -	Data type: FloatingPoint32
	Can be changed: U, T	Scaling: PERCENT	Dyn. index: DDS, p0180
	Units group: 9_1	Unit selection: p0595	Func. diagram: 7950, 7951
	Min	Max	Factory setting
	-200.00 [%]	200.00 [%]	30.00 [%]
Description:	Sets the value for fixed value 3 of the technology controller.		
Dependency:	Refer to: p2220, p2221, p2222, p2223, r2224, r2229		
Notice:	A BICO interconnection to a parameter that belongs to a drive data set always acts on the effective data set.		
p2204[0...n]	CO: Technology controller fixed value 4 / Tec_ctr fix val 4		
	Access level: 2	Calculated: -	Data type: FloatingPoint32
	Can be changed: U, T	Scaling: PERCENT	Dyn. index: DDS, p0180
	Units group: 9_1	Unit selection: p0595	Func. diagram: 7950, 7951
	Min	Max	Factory setting
	-200.00 [%]	200.00 [%]	40.00 [%]
Description:	Sets the value for fixed value 4 of the technology controller.		
Dependency:	Refer to: p2220, p2221, p2222, p2223, r2224, r2229		
Notice:	A BICO interconnection to a parameter that belongs to a drive data set always acts on the effective data set.		
p2205[0...n]	CO: Technology controller fixed value 5 / Tec_ctr fix val 5		
	Access level: 2	Calculated: -	Data type: FloatingPoint32
	Can be changed: U, T	Scaling: PERCENT	Dyn. index: DDS, p0180
	Units group: 9_1	Unit selection: p0595	Func. diagram: 7950
	Min	Max	Factory setting
	-200.00 [%]	200.00 [%]	50.00 [%]
Description:	Sets the value for fixed value 5 of the technology controller.		
Dependency:	Refer to: p2220, p2221, p2222, p2223, r2224, r2229		
Notice:	A BICO interconnection to a parameter that belongs to a drive data set always acts on the effective data set.		
p2206[0...n]	CO: Technology controller fixed value 6 / Tec_ctr fix val 6		
	Access level: 2	Calculated: -	Data type: FloatingPoint32
	Can be changed: U, T	Scaling: PERCENT	Dyn. index: DDS, p0180
	Units group: 9_1	Unit selection: p0595	Func. diagram: 7950
	Min	Max	Factory setting
	-200.00 [%]	200.00 [%]	60.00 [%]
Description:	Sets the value for fixed value 6 of the technology controller.		
Dependency:	Refer to: p2220, p2221, p2222, p2223, r2224, r2229		
Notice:	A BICO interconnection to a parameter that belongs to a drive data set always acts on the effective data set.		
p2207[0...n]	CO: Technology controller fixed value 7 / Tec_ctr fix val 7		
	Access level: 2	Calculated: -	Data type: FloatingPoint32
	Can be changed: U, T	Scaling: PERCENT	Dyn. index: DDS, p0180
	Units group: 9_1	Unit selection: p0595	Func. diagram: 7950
	Min	Max	Factory setting
	-200.00 [%]	200.00 [%]	70.00 [%]
Description:	Sets the value for fixed value 7 of the technology controller.		
Dependency:	Refer to: p2220, p2221, p2222, p2223, r2224, r2229		
Notice:	A BICO interconnection to a parameter that belongs to a drive data set always acts on the effective data set.		

p2208[0...n]	CO: Technology controller fixed value 8 / Tec_ctr fix val 8		
	Access level: 2	Calculated: -	Data type: FloatingPoint32
	Can be changed: U, T	Scaling: PERCENT	Dyn. index: DDS, p0180
	Units group: 9_1	Unit selection: p0595	Func. diagram: 7950
	Min	Max	Factory setting
	-200.00 [%]	200.00 [%]	80.00 [%]
Description:	Sets the value for fixed value 8 of the technology controller.		
Dependency:	Refer to: p2220, p2221, p2222, p2223, r2224, r2229		
Notice:	A BICO interconnection to a parameter that belongs to a drive data set always acts on the effective data set.		
p2209[0...n]	CO: Technology controller fixed value 9 / Tec_ctr fix val 9		
	Access level: 2	Calculated: -	Data type: FloatingPoint32
	Can be changed: U, T	Scaling: PERCENT	Dyn. index: DDS, p0180
	Units group: 9_1	Unit selection: p0595	Func. diagram: 7950
	Min	Max	Factory setting
	-200.00 [%]	200.00 [%]	90.00 [%]
Description:	Sets the value for fixed value 9 of the technology controller.		
Dependency:	Refer to: p2220, p2221, p2222, p2223, r2224, r2229		
Notice:	A BICO interconnection to a parameter that belongs to a drive data set always acts on the effective data set.		
p2210[0...n]	CO: Technology controller fixed value 10 / Tec_ctr fix val 10		
	Access level: 2	Calculated: -	Data type: FloatingPoint32
	Can be changed: U, T	Scaling: PERCENT	Dyn. index: DDS, p0180
	Units group: 9_1	Unit selection: p0595	Func. diagram: 7950
	Min	Max	Factory setting
	-200.00 [%]	200.00 [%]	100.00 [%]
Description:	Sets the value for fixed value 10 of the technology controller.		
Dependency:	Refer to: p2220, p2221, p2222, p2223, r2224, r2229		
Notice:	A BICO interconnection to a parameter that belongs to a drive data set always acts on the effective data set.		
p2211[0...n]	CO: Technology controller fixed value 11 / Tec_ctr fix val 11		
	Access level: 2	Calculated: -	Data type: FloatingPoint32
	Can be changed: U, T	Scaling: PERCENT	Dyn. index: DDS, p0180
	Units group: 9_1	Unit selection: p0595	Func. diagram: 7950
	Min	Max	Factory setting
	-200.00 [%]	200.00 [%]	110.00 [%]
Description:	Sets the value for fixed value 11 of the technology controller.		
Dependency:	Refer to: p2220, p2221, p2222, p2223, r2224, r2229		
Notice:	A BICO interconnection to a parameter that belongs to a drive data set always acts on the effective data set.		
p2212[0...n]	CO: Technology controller fixed value 12 / Tec_ctr fix val 12		
	Access level: 2	Calculated: -	Data type: FloatingPoint32
	Can be changed: U, T	Scaling: PERCENT	Dyn. index: DDS, p0180
	Units group: 9_1	Unit selection: p0595	Func. diagram: 7950
	Min	Max	Factory setting
	-200.00 [%]	200.00 [%]	120.00 [%]
Description:	Sets the value for fixed value 12 of the technology controller.		
Dependency:	Refer to: p2220, p2221, p2222, p2223, r2224, r2229		
Notice:	A BICO interconnection to a parameter that belongs to a drive data set always acts on the effective data set.		

p2213[0...n]	CO: Technology controller fixed value 13 / Tec_ctr fix val 13		
	Access level: 2	Calculated: -	Data type: FloatingPoint32
	Can be changed: U, T	Scaling: PERCENT	Dyn. index: DDS, p0180
	Units group: 9_1	Unit selection: p0595	Func. diagram: 7950
	Min	Max	Factory setting
	-200.00 [%]	200.00 [%]	130.00 [%]
Description:	Sets the value for fixed value 13 of the technology controller.		
Dependency:	Refer to: p2220, p2221, p2222, p2223, r2224, r2229		
Notice:	A BICO interconnection to a parameter that belongs to a drive data set always acts on the effective data set.		

p2214[0...n]	CO: Technology controller fixed value 14 / Tec_ctr fix val 14		
	Access level: 2	Calculated: -	Data type: FloatingPoint32
	Can be changed: U, T	Scaling: PERCENT	Dyn. index: DDS, p0180
	Units group: 9_1	Unit selection: p0595	Func. diagram: 7950
	Min	Max	Factory setting
	-200.00 [%]	200.00 [%]	140.00 [%]
Description:	Sets the value for fixed value 14 of the technology controller.		
Dependency:	Refer to: p2220, p2221, p2222, p2223, r2224, r2229		
Notice:	A BICO interconnection to a parameter that belongs to a drive data set always acts on the effective data set.		

p2215[0...n]	CO: Technology controller fixed value 15 / Tec_ctr fix val 15		
	Access level: 2	Calculated: -	Data type: FloatingPoint32
	Can be changed: U, T	Scaling: PERCENT	Dyn. index: DDS, p0180
	Units group: 9_1	Unit selection: p0595	Func. diagram: 7950
	Min	Max	Factory setting
	-200.00 [%]	200.00 [%]	150.00 [%]
Description:	Sets the value for fixed value 15 of the technology controller.		
Dependency:	Refer to: p2220, p2221, p2222, p2223, r2224, r2229		
Notice:	A BICO interconnection to a parameter that belongs to a drive data set always acts on the effective data set.		

p2216[0...n]	Technology controller fixed value selection method / Tec_ctr FixVal sel		
	Access level: 2	Calculated: -	Data type: Integer16
	Can be changed: T	Scaling: -	Dyn. index: DDS, p0180
	Units group: -	Unit selection: -	Func. diagram: 7950, 7951
	Min	Max	Factory setting
	1	2	1
Description:	Sets the method to select the fixed setpoints.		
Value:	1: Direct selection 2: Binary selection		

p2220[0...n]	BI: Technology controller fixed value selection bit 0 / Tec_ctrl sel bit 0		
	Access level: 3	Calculated: -	Data type: U32 / Binary
	Can be changed: T	Scaling: -	Dyn. index: CDS, p0170
	Units group: -	Unit selection: -	Func. diagram: 7950, 7951
	Min	Max	Factory setting
	-	-	0
Description:	Sets the signal source to select a fixed value of the technology controller.		
Dependency:	Refer to: p2221, p2222, p2223		

2 Parameters

2.2 List of parameters

p2221[0...n]	BI: Technology controller fixed value selection bit 1 / Tec_ctrl sel bit 1			
	Access level: 3	Calculated: -	Data type: U32 / Binary	
	Can be changed: T	Scaling: -	Dyn. index: CDS, p0170	
	Units group: -	Unit selection: -	Func. diagram: 7950, 7951	
	Min	Max	Factory setting	
	-	-	0	
Description:	Sets the signal source to select a fixed value of the technology controller.			
Dependency:	Refer to: p2220, p2222, p2223			
p2222[0...n]	BI: Technology controller fixed value selection bit 2 / Tec_ctrl sel bit 2			
	Access level: 3	Calculated: -	Data type: U32 / Binary	
	Can be changed: T	Scaling: -	Dyn. index: CDS, p0170	
	Units group: -	Unit selection: -	Func. diagram: 7950, 7951	
	Min	Max	Factory setting	
	-	-	0	
Description:	Sets the signal source to select a fixed value of the technology controller.			
Dependency:	Refer to: p2220, p2221, p2223			
p2223[0...n]	BI: Technology controller fixed value selection bit 3 / Tec_ctrl sel bit 3			
	Access level: 3	Calculated: -	Data type: U32 / Binary	
	Can be changed: T	Scaling: -	Dyn. index: CDS, p0170	
	Units group: -	Unit selection: -	Func. diagram: 7950, 7951	
	Min	Max	Factory setting	
	-	-	0	
Description:	Sets the signal source to select a fixed value of the technology controller.			
Dependency:	Refer to: p2220, p2221, p2222			
r2224	CO: Technology controller fixed value effective / Tec_ctr FixVal eff			
	Access level: 3	Calculated: -	Data type: FloatingPoint32	
	Can be changed: -	Scaling: PERCENT	Dyn. index: -	
	Units group: 9_1	Unit selection: p0595	Func. diagram: 7950, 7951	
	Min	Max	Factory setting	
	- [%]	- [%]	- [%]	
Description:	Display and connector output for the selected and active fixed value of the technology controller.			
Dependency:	Refer to: r2229			
r2225.0	CO/BO: Technology controller fixed value selection status word / Tec_ctr FixVal ZSW			
	Access level: 3	Calculated: -	Data type: Unsigned16	
	Can be changed: -	Scaling: -	Dyn. index: -	
	Units group: -	Unit selection: -	Func. diagram: -	
	Min	Max	Factory setting	
	-	-	-	
Description:	Display and BICO output for the status word of the fixed value selection of the technology controller.			
Bit field:	Bit	Signal name	1 signal	0 signal
	00	Technology controller fixed value selected	Yes	No
				FP 7950, 7951

r2229	Technology controller number actual / Tec_ctrl No. act			
	Access level: 3	Calculated: -	Data type: Unsigned32	
	Can be changed: -	Scaling: -	Dyn. index: -	
	Units group: -	Unit selection: -	Func. diagram: 7950	
	Min	Max	Factory setting	
	-	-	-	
Description:	Displays the number of the selected fixed setpoint of the technology controller.			
Dependency:	Refer to: r2224			
p2230[0...n]	Technology controller motorized potentiometer configuration / Tec_ctr mop config			
	Access level: 3	Calculated: -	Data type: Unsigned32	
	Can be changed: U, T	Scaling: -	Dyn. index: DDS, p0180	
	Units group: -	Unit selection: -	Func. diagram: 7954	
	Min	Max	Factory setting	
	-	-	0000 0100 bin	
Description:	Sets the configuration for the motorized potentiometer of the technology controller.			
Bit field:	Bit	Signal name	1 signal	0 signal
	00	Data save active	Yes	No
	02	Initial rounding-off active	Yes	No
	03	Non-volatile data save active for p2230.0 = 1	Yes	No
	04	Ramp-function generator always active	Yes	No
Dependency:	Refer to: r2231, p2240			
Notice:	For p0014 = 1, the following applies: After the value has been modified, no further parameter modifications can be made and the status is shown in r3996. Modifications can be made again when r3996 = 0.			
Note:	Re bit 00: 0: The setpoint for the motorized potentiometer is not saved and after ON is entered using p2240. 1: The setpoint for the motorized potentiometer is saved and after ON is entered using r2231. In order to save in a non-volatile fashion, bit 03 should be set to 1. Re bit 02: 0: Without initial rounding-off 1: With initial rounding-off. The selected ramp-up/down time is correspondingly exceeded. The initial rounding-off is a sensitive way of specifying small changes (progressive reaction when keys are pressed). The jerk for initial rounding is independent of the ramp-up time and only depends on the selected maximum value (p2237). It is calculated as follows: $r = 0.0001 \times \max(p2237, p2238) [\%] / 0.13^2 [s^2]$ The jerk is effective until the maximum acceleration is reached ($a_{max} = p2237 [\%] / p2247 [s]$ or $a_{max} = p2238 [\%] / p2248 [s]$), after which the drive continues to run linearly with constant acceleration. The higher the maximum acceleration (the lower that p2247 is), the longer the ramp-up time increases with respect to the set ramp-up time. Re bit 03: 0: Non-volatile data save de-activated. 1. The setpoint for the motorized potentiometer is saved in a non-volatile fashion (for p2230.0 = 1). Re bit 04: When the bit is set, the ramp-function generator is computed independent of the pulse enable. The actual output value of the motorized potentiometer is always in r2250.			

r2231	Technology controller motorized potentiometer setpoint memory / Tec_ctrl mop mem		
	Access level: 3	Calculated: -	Data type: FloatingPoint32
	Can be changed: -	Scaling: -	Dyn. index: -
	Units group: 9_1	Unit selection: p0595	Func. diagram: 7954
	Min	Max	Factory setting
	- [%]	- [%]	- [%]
Description:	Displays the setpoint memory for the motorized potentiometer of the technology controller. For p2230.0 = 1, the last setpoint that was saved is entered after ON.		
Dependency:	Refer to: p2230		
p2235[0...n]	BI: Technology controller motorized potentiometer raise setpoint / Tec_ctrl mop raise		
	Access level: 3	Calculated: -	Data type: U32 / Binary
	Can be changed: T	Scaling: -	Dyn. index: CDS, p0170
	Units group: -	Unit selection: -	Func. diagram: 7954
	Min	Max	Factory setting
	-	-	0
Description:	Sets the signal source to continually increase the setpoint for the motorized potentiometer of the technology controller. The setpoint change (CO: r2250) depends on the set ramp-up time (p2247) and the duration of the signal that is present (BI: p2235).		
Dependency:	Refer to: p2236		
p2236[0...n]	BI: Technology controller motorized potentiometer lower setpoint / Tec_ctrl mop lower		
	Access level: 3	Calculated: -	Data type: U32 / Binary
	Can be changed: T	Scaling: -	Dyn. index: CDS, p0170
	Units group: -	Unit selection: -	Func. diagram: 7954
	Min	Max	Factory setting
	-	-	0
Description:	Sets the signal source to continually reduce the setpoint for the motorized potentiometer of the technology controller. The setpoint change (CO: r2250) depends on the set ramp-down time (p2248) and the duration of the signal that is present (BI: p2236).		
Dependency:	Refer to: p2235		
p2237[0...n]	Technology controller motorized potentiometer maximum value / Tec_ctrl mop max		
	Access level: 3	Calculated: -	Data type: FloatingPoint32
	Can be changed: U, T	Scaling: -	Dyn. index: DDS, p0180
	Units group: 9_1	Unit selection: p0595	Func. diagram: 7954
	Min	Max	Factory setting
	-200.00 [%]	200.00 [%]	100.00 [%]
Description:	Sets the maximum value for the motorized potentiometer of the technology controller.		
Dependency:	Refer to: p2238		
p2238[0...n]	Technology controller motorized potentiometer minimum value / Tec_ctrl mop min		
	Access level: 2	Calculated: -	Data type: FloatingPoint32
	Can be changed: U, T	Scaling: -	Dyn. index: DDS, p0180
	Units group: 9_1	Unit selection: p0595	Func. diagram: 7954
	Min	Max	Factory setting
	-200.00 [%]	200.00 [%]	-100.00 [%]
Description:	Sets the minimum value for the motorized potentiometer of the technology controller.		
Dependency:	Refer to: p2237		

p2240[0...n]	Technology controller motorized potentiometer starting value / Tec_ctrl mop start		
	Access level: 2	Calculated: -	Data type: FloatingPoint32
	Can be changed: U, T	Scaling: -	Dyn. index: DDS, p0180
	Units group: 9_1	Unit selection: p0595	Func. diagram: 7954
	Min	Max	Factory setting
	-200.00 [%]	200.00 [%]	0.00 [%]
Description:	Sets the starting value for the motorized potentiometer of the technology controller. For p2230.0 = 0, this setpoint is entered after ON.		
Dependency:	Refer to: p2230		
r2245	CO: Technology controller mot. potentiometer setpoint before RFG / Tec_ctr mop befRFG		
	Access level: 2	Calculated: -	Data type: FloatingPoint32
	Can be changed: -	Scaling: PERCENT	Dyn. index: -
	Units group: 9_1	Unit selection: p0595	Func. diagram: 7954
	Min	Max	Factory setting
	- [%]	- [%]	- [%]
Description:	Sets the effective setpoint in front of the internal motorized potentiometer ramp-function generator of the technology controller.		
Dependency:	Refer to: r2250		
p2247[0...n]	Technology controller motorized potentiometer ramp-up time / Tec_ctr mop t_r-up		
	Access level: 2	Calculated: -	Data type: FloatingPoint32
	Can be changed: U, T	Scaling: -	Dyn. index: DDS, p0180
	Units group: -	Unit selection: -	Func. diagram: 7954
	Min	Max	Factory setting
	0.0 [s]	1000.0 [s]	10.0 [s]
Description:	Sets the ramp-up time for the internal ramp-function generator for the motorized potentiometer of the technology controller.		
Dependency:	Refer to: p2248		
Note:	The time is referred to 100 %. When the initial rounding-off is activated (p2230.2 = 1) the ramp-up is correspondingly extended.		
p2248[0...n]	Technology controller motorized potentiometer ramp-down time / Tec_ctrMop t_rdown		
	Access level: 2	Calculated: -	Data type: FloatingPoint32
	Can be changed: U, T	Scaling: -	Dyn. index: DDS, p0180
	Units group: -	Unit selection: -	Func. diagram: 7954
	Min	Max	Factory setting
	0.0 [s]	1000.0 [s]	10.0 [s]
Description:	Sets the ramp-down time for the internal ramp-function generator for the motorized potentiometer of the technology controller.		
Dependency:	Refer to: p2247		
Note:	The time is referred to 100 %. When the initial rounding-off is activated (p2230.2 = 1) the ramp-down is correspondingly extended.		

r2250	CO: Technology controller motorized potentiometer setpoint after RFG / Tec_ctr mop aftRFG		
	Access level: 2	Calculated: -	Data type: FloatingPoint32
	Can be changed: -	Scaling: PERCENT	Dyn. index: -
	Units group: 9_1	Unit selection: p0595	Func. diagram: 7954
	Min - [%]	Max - [%]	Factory setting - [%]
Description:	Displays the effective setpoint after the internal ramp-function generator for the motorized potentiometer of the technology controller.		
Dependency:	Refer to: r2245		

p2251	Technology controller mode / Tec_ctrl mode		
	Access level: 3	Calculated: -	Data type: Integer16
	Can be changed: T	Scaling: -	Dyn. index: -
	Units group: -	Unit selection: -	Func. diagram: 3070, 7958
	Min 0	Max 1	Factory setting 0
Description:	Sets the mode for using the technology controller output.		
Value:	0: Technology controller as main speed setpoint 1: Technology controller as supplementary speed setpoint		
Dependency:	p2251 = 0, 1 is only effective if the enable signal of the technology controller is interconnected (p2200 > 0).		

p2253[0...n]	CI: Technology controller setpoint 1 / Tec_ctrl setp 1		
	Access level: 2	Calculated: -	Data type: U32 / FloatingPoint32
	Can be changed: U, T	Scaling: PERCENT	Dyn. index: CDS, p0170
	Units group: -	Unit selection: -	Func. diagram: 7958
	Min -	Max -	Factory setting 0
Description:	Sets the signal source for the setpoint 1 of the technology controller.		
Dependency:	Refer to: p2254, p2255		


p2254[0...n]	CI: Technology controller setpoint 2 / Tec_ctrl setp 2		
	Access level: 3	Calculated: -	Data type: U32 / FloatingPoint32
	Can be changed: U, T	Scaling: PERCENT	Dyn. index: CDS, p0170
	Units group: -	Unit selection: -	Func. diagram: 7958
	Min -	Max -	Factory setting 0
Description:	Sets the signal source for the setpoint 2 of the technology controller.		
Dependency:	Refer to: p2253, p2256		

p2255	Technology controller setpoint 1 scaling / Tec_ctrl set1 scal		
	Access level: 3	Calculated: -	Data type: FloatingPoint32
	Can be changed: U, T	Scaling: -	Dyn. index: -
	Units group: -	Unit selection: -	Func. diagram: 7958
	Min 0.00 [%]	Max 100.00 [%]	Factory setting 100.00 [%]
Description:	Sets the scaling for the setpoint 1 of the technology controller.		
Dependency:	Refer to: p2253		

p2256	Technology controller setpoint 2 scaling / Tec_ctrl set2 scal	Access level: 3	Calculated: -	Data type: FloatingPoint32
		Can be changed: U, T	Scaling: -	Dyn. index: -
		Units group: -	Unit selection: -	Func. diagram: 7958
		Min	Max	Factory setting
		0.00 [%]	100.00 [%]	100.00 [%]
Description:	Sets the scaling for the setpoint 2 of the technology controller.			
Dependency:	Refer to: p2254			
p2257	Technology controller ramp-up time / Tec_ctrl t_ramp-up	Access level: 2	Calculated: -	Data type: FloatingPoint32
		Can be changed: U, T	Scaling: -	Dyn. index: -
		Units group: -	Unit selection: -	Func. diagram: 7958
		Min	Max	Factory setting
		0.00 [s]	650.00 [s]	1.00 [s]
Description:	Sets the ramp-up time of the technology controller.			
Dependency:	Refer to: p2258			
Note:	The ramp-up time is referred to 100 %.			
p2258	Technology controller ramp-down time / Tec_ctrl t_ramp-dn	Access level: 2	Calculated: -	Data type: FloatingPoint32
		Can be changed: U, T	Scaling: -	Dyn. index: -
		Units group: -	Unit selection: -	Func. diagram: 7958
		Min	Max	Factory setting
		0.00 [s]	650.00 [s]	1.00 [s]
Description:	Sets the ramp-down time of the technology controller.			
Dependency:	Refer to: p2257			
Note:	The ramp-down time is referred to 100 %.			
r2260	CO: Technology controller setpoint after ramp-function generator / Tec_ctr set aftRFG	Access level: 2	Calculated: -	Data type: FloatingPoint32
		Can be changed: -	Scaling: PERCENT	Dyn. index: -
		Units group: 9_1	Unit selection: p0595	Func. diagram: 7958
		Min	Max	Factory setting
		- [%]	- [%]	- [%]
Description:	Sets the setpoint after the ramp-function generator of the technology controller.			
p2261	Technology controller setpoint filter time constant / Tec_ctrl set T	Access level: 3	Calculated: -	Data type: FloatingPoint32
		Can be changed: U, T	Scaling: -	Dyn. index: -
		Units group: -	Unit selection: -	Func. diagram: 7958
		Min	Max	Factory setting
		0.000 [s]	60.000 [s]	0.000 [s]
Description:	Sets the time constant for the setpoint filter (PT1) of the technology controller.			

p2263	Technology controller type / Tec_ctrl type	Access level: 3 Can be changed: T Units group: - Min 0	Calculated: - Scaling: - Unit selection: - Max 1	Data type: Integer16 Dyn. index: - Func. diagram: 7958 Factory setting 0
Description:	Sets the type of technology controller.			
Value:	0: D component in the actual value signal 1: D component in the fault signal			
p2264[0...n]	CI: Technology controller actual value / Tec_ctrl act val	Access level: 2 Can be changed: U, T Units group: - Min -	Calculated: - Scaling: PERCENT Unit selection: - Max -	Data type: U32 / FloatingPoint32 Dyn. index: CDS, p0170 Func. diagram: 7958 Factory setting 0
Description:	Sets the signal source for the actual value of the technology controller.			
p2265	Technology controller actual value filter time constant / Tec_ctrl act T	Access level: 2 Can be changed: U, T Units group: - Min 0.000 [s]	Calculated: - Scaling: - Unit selection: - Max 60.000 [s]	Data type: FloatingPoint32 Dyn. index: - Func. diagram: 7958 Factory setting 0.000 [s]
Description:	Sets the time constant for the actual value filter (PT1) of the technology controller.			
r2266	CO: Technology controller actual value after filter / Tec_ctr act aftFlt	Access level: 3 Can be changed: - Units group: 9_1 Min - [%]	Calculated: - Scaling: PERCENT Unit selection: p0595 Max - [%]	Data type: FloatingPoint32 Dyn. index: - Func. diagram: 7958 Factory setting - [%]
Description:	Display and connector output for the smoothed actual value after the filter (PT1) of the technology controller.			
p2267	Technology controller upper limit actual value / Tec_ctrl u_lim act	Access level: 3 Can be changed: U, T Units group: 9_1 Min -200.00 [%]	Calculated: - Scaling: PERCENT Unit selection: p0595 Max 200.00 [%]	Data type: FloatingPoint32 Dyn. index: - Func. diagram: 7958 Factory setting 100.00 [%]
Description:	Sets the upper limit for the actual value signal of the technology controller.			
Dependency:	Refer to: p2264, p2265, p2271			
Notice:	If the actual value exceeds this upper limit, this results in fault F07426.			
p2268	Technology controller lower limit actual value / Tec_ctrl l_lim act	Access level: 3 Can be changed: U, T Units group: 9_1 Min -200.00 [%]	Calculated: - Scaling: PERCENT Unit selection: p0595 Max 200.00 [%]	Data type: FloatingPoint32 Dyn. index: - Func. diagram: 7958 Factory setting -100.00 [%]
Description:	Sets the lower limit for the actual value signal of the technology controller.			
Dependency:	Refer to: p2264, p2265, p2271			

Notice: If the actual value falls below this lower limit, this results in fault F07426.

p2269	Technology controller gain actual value / Tech_ctrl gain act		
	Access level: 3	Calculated: -	Data type: FloatingPoint32
	Can be changed: U, T	Scaling: -	Dyn. index: -
	Units group: -	Unit selection: -	Func. diagram: 7958
	Min	Max	Factory setting
	0.00 [%]	500.00 [%]	100.00 [%]
Description:	Sets the scaling factor for the actual value of the technology controller.		
Dependency:	Refer to: p2264, p2265, p2267, p2268, p2271		
Note:	For 100%, the actual value is not changed.		
p2270	Technology controller actual value function / Tec_ctr ActVal fct		
	Access level: 3	Calculated: -	Data type: Integer16
	Can be changed: U, T	Scaling: -	Dyn. index: -
	Units group: -	Unit selection: -	Func. diagram: 7958
	Min	Max	Factory setting
	0	3	0
Description:	Setting to use an arithmetic function for the actual value signal of the technology controller.		
Value:	0: No function 1: Root function (root from x) 2: Square function (x * x) 3: Cube function (x * x * x)		
Dependency:	Refer to: p2264, p2265, p2267, p2268, p2269, p2271		
p2271	Technology controller actual value inversion (sensor type) / Tech_ctrl act inv		
	Access level: 3	Calculated: -	Data type: Integer16
	Can be changed: T	Scaling: -	Dyn. index: -
	Units group: -	Unit selection: -	Func. diagram: 7958
	Min	Max	Factory setting
	0	1	0
Description:	Setting to invert the actual value signal of the technology controller. The inversion depends on the sensor type for the actual value signal.		
Value:	0: No inversion 1: Inversion actual value signal		
Caution:	If the actual value inversion is incorrectly selected, then the closed-loop control with the technology controller can become unstable and can oscillate!		
			
Note:	The correct setting can be determined as follows: - inhibit the technology controller (p2200 = 0). - increase the motor speed and in so doing, measure the actual value signal of the technology controller. --> If the actual value increases as the motor speed increases, then p2271 should be set to 0 (no inversion). --> If the actual value decreases as the motor speed increases, then p2271 should be set to 1 (the actual value signal is inverted).		
r2272	CO: Technology controller actual value scaled / Tech_ctrl act scal		
	Access level: 2	Calculated: -	Data type: FloatingPoint32
	Can be changed: -	Scaling: PERCENT	Dyn. index: -
	Units group: 9_1	Unit selection: p0595	Func. diagram: 7958
	Min	Max	Factory setting
	- [%]	- [%]	- [%]
Description:	Display and connector output for the scaled actual value signal of the technology controller.		
Dependency:	Refer to: p2264, p2265, r2266, p2267, p2268, p2269, p2270, p2271		

r2273	CO: Technology controller error / Tec_ctrl error		
	Access level: 2	Calculated: -	Data type: FloatingPoint32
	Can be changed: -	Scaling: PERCENT	Dyn. index: -
	Units group: 9_1	Unit selection: p0595	Func. diagram: 7958
	Min	Max	Factory setting
	- [%]	- [%]	- [%]
Description:	Displays the error (system deviation) between the setpoint and actual value of the technology controller.		
Dependency:	Refer to: p2263		
p2274	Technology controller differentiation time constant / Tec_ctrl D comp T		
	Access level: 2	Calculated: -	Data type: FloatingPoint32
	Can be changed: U, T	Scaling: -	Dyn. index: -
	Units group: -	Unit selection: -	Func. diagram: 7958
	Min	Max	Factory setting
	0.000 [s]	60.000 [s]	0.000 [s]
Description:	Sets the time constant for the differentiation (D component) of the technology controller.		
Note:	p2274 = 0: Differentiation is disabled.		
p2280	Technology controller proportional gain / Tec_ctrl Kp		
	Access level: 2	Calculated: -	Data type: FloatingPoint32
	Can be changed: U, T	Scaling: -	Dyn. index: -
	Units group: -	Unit selection: -	Func. diagram: 7958
	Min	Max	Factory setting
	0.000	1000.000	1.000
Description:	Sets the proportional gain (P component) of the technology controller.		
Note:	p2280 = 0: The proportional gain is disabled.		
p2285	Technology controller integral time / Tec_ctrl Tn		
	Access level: 2	Calculated: -	Data type: FloatingPoint32
	Can be changed: U, T	Scaling: -	Dyn. index: -
	Units group: -	Unit selection: -	Func. diagram: 7958
	Min	Max	Factory setting
	0.000 [s]	10000.000 [s]	30.000 [s]
Description:	Sets the integral time (I component, integrating time constant) of the technology controller.		
Notice:	The following applies for p2251 = 0: If the output of the technology controller lies within the range of a suppression (skip) bandwidth (p1091 ... p1092, p1101) or below the minimum speed (p1080), the integral component of the controller is held so that the controller temporarily works as a P controller. This is necessary in order to prevent the controller from behaving in an unstable manner, as the ramp-function generator switches to the parameterized up and down ramps (p1120, p1121) at the same time in order to avoid setpoint steps. This state can be exited or avoided by changing the controller setpoint or by using the start speed (= minimum speed).		
Note:	When the controller output reaches the limit, the I component of the controller is held. p2285 = 0: The integral time is disabled and the I component of the controller is reset.		
p2286[0...n]	BI: Hold technology controller integrator / Tec_ctr integ hold		
	Access level: 3	Calculated: -	Data type: U32 / Binary
	Can be changed: T	Scaling: -	Dyn. index: CDS, p0170
	Units group: -	Unit selection: -	Func. diagram: 7958
	Min	Max	Factory setting
	-	-	56.13
Description:	Sets the signal source to hold the integrator for the technology controller.		

p2289[0...n]	CI: Technology controller pre-control signal / Tec_ctr prectr_sig		
Access level: 3	Calculated: -	Data type: U32 / FloatingPoint32	
Can be changed: U, T	Scaling: PERCENT	Dyn. index: CDS, p0170	
Units group: -	Unit selection: -	Func. diagram: 7958	
Min	Max	Factory setting	
-	-	0	

Description: Sets the signal source for the pre-control signal of the technology controller.

p2291	CO: Technology controller maximum limiting / Tec_ctrl max_lim		
Access level: 3	Calculated: -	Data type: FloatingPoint32	
Can be changed: U, T	Scaling: PERCENT	Dyn. index: -	
Units group: -	Unit selection: -	Func. diagram: 7958	
Min	Max	Factory setting	
-200.00 [%]	200.00 [%]	100.00 [%]	

Description: Sets the maximum limit of the technology controller.

Dependency: Refer to: p2292

Caution: The maximum limit must always be greater than the minimum limit (p2291 > p2292).



p2292	CO: Technology controller minimum limiting / Tec_ctrl min_lim		
Access level: 3	Calculated: -	Data type: FloatingPoint32	
Can be changed: U, T	Scaling: PERCENT	Dyn. index: -	
Units group: -	Unit selection: -	Func. diagram: 7958	
Min	Max	Factory setting	
-200.00 [%]	200.00 [%]	0.00 [%]	

Description: Sets the minimum limit of the technology controller.

Dependency: Refer to: p2291

Caution: The maximum limit must always be greater than the minimum limit (p2291 > p2292).



p2293	Technology controller ramp-up/ramp-down time / Tec_ctr t_RU/RD		
Access level: 3	Calculated: -	Data type: FloatingPoint32	
Can be changed: U, T	Scaling: -	Dyn. index: -	
Units group: -	Unit selection: -	Func. diagram: 7958	
Min	Max	Factory setting	
0.00 [s]	100.00 [s]	1.00 [s]	

Description: Sets the ramping time for the output signal of the technology controller.

Dependency: Refer to: p2291, p2292


Note: The time refers to the set maximum and minimum limits (p2291, p2292).

r2294	CO: Technology controller output signal / Tec_ctrl outp_sig		
Access level: 2	Calculated: -	Data type: FloatingPoint32	
Can be changed: -	Scaling: PERCENT	Dyn. index: -	
Units group: -	Unit selection: -	Func. diagram: 7958	
Min	Max	Factory setting	
- [%]	- [%]	- [%]	

Description: Display and connector output for the output signal of the technology controller.

Dependency: Refer to: p2295

p2295	CO: Technology controller output scaling / Tec_ctrl outp scal		
	Access level: 3	Calculated: -	Data type: FloatingPoint32
	Can be changed: U, T	Scaling: PERCENT	Dyn. index: -
	Units group: -	Unit selection: -	Func. diagram: 7958
	Min	Max	Factory setting
	-100.00 [%]	100.00 [%]	100.00 [%]
Description:	Sets the scaling for the output signal of the technology controller.		
p2296[0...n]	CI: Technology controller output scaling / Tec_ctrl outp scal		
	Access level: 3	Calculated: -	Data type: U32 / FloatingPoint32
	Can be changed: U, T	Scaling: PERCENT	Dyn. index: CDS, p0170
	Units group: -	Unit selection: -	Func. diagram: 7958
	Min	Max	Factory setting
	-	-	2295[0]
Description:	Sets the signal source for the scaling value of the technology controller.		
Dependency:	Refer to: p2295		
p2297[0...n]	CI: Technology controller maximum limit signal source / Tec_ctrMaxLimS_src		
	Access level: 3	Calculated: -	Data type: U32 / FloatingPoint32
	Can be changed: U, T	Scaling: PERCENT	Dyn. index: CDS, p0170
	Units group: -	Unit selection: -	Func. diagram: 7958
	Min	Max	Factory setting
	-	-	1084[0]
Description:	Sets the signal source for the maximum limiting of the technology controller.		
Dependency:	Refer to: p2291		
Note:	In order that the output of the technology controller does not exceed the maximum speed limit, its upper limit p2297 should be connected to the actual maximum speed r1084. In mode p2251 = 1, p2299 must also be connected to the output of the ramp-function generator r1150.		
p2298[0...n]	CI: Technology controller minimum limit signal source / Tec_ctrl min_l s_s		
	Access level: 3	Calculated: -	Data type: U32 / FloatingPoint32
	Can be changed: U, T	Scaling: PERCENT	Dyn. index: CDS, p0170
	Units group: -	Unit selection: -	Func. diagram: 7958
	Min	Max	Factory setting
	-	-	1087[0]
Description:	Sets the signal source for the minimum limiting of the technology controller.		
Dependency:	Refer to: p2292		
Note:	If the technology controller is rotated in a negative direction in mode p2251 = 0, its lower limit p2298 should be connected to the actual minimum speed r1087. In mode p2251 = 1, p2299 must also be connected to the output of the ramp-function generator r1150.		
p2299[0...n]	CI: Technology controller limit offset / Tech_ctrl lim offs		
	Access level: 3	Calculated: -	Data type: U32 / FloatingPoint32
	Can be changed: U, T	Scaling: PERCENT	Dyn. index: CDS, p0170
	Units group: -	Unit selection: -	Func. diagram: 7958
	Min	Max	Factory setting
	-	-	0
Description:	Sets the signal source for the offset of the output limiting of the technology controller.		
Note:	In mode p2251 = 1, p2299 must be connected to the output of ramp-function generator r1150 so that the technology controller stops when the speed limits are reached (see also p2297, p2298).		

p2302	Technology controller output signal starting value / Tec_ctr start val		
	Access level: 3	Calculated: -	Data type: FloatingPoint32
	Can be changed: U, T	Scaling: -	Dyn. index: -
	Units group: -	Unit selection: -	Func. diagram: 7958
	Min	Max	Factory setting
	0.00 [%]	200.00 [%]	0.00 [%]
Description:	Sets the start value for the output of the technology controller. If the drive is switched on and the technology controller is already enabled (see p2200, r0056.3), then its output signal r2294 first goes to the start value p2302, before the controller starts to operate.		
Dependency:	The starting value is only effective in the mode "technology controller as main speed setpoint" (p2251 = 0). If the technology controller is first enabled when the drive is switched on, a start speed remains ineffective, and the controller output starts with the actual setpoint speed of the ramp-function generator.		
Note:	If the technology controller operates on the speed/setpoint channel (p2251 = 0), then the starting value is interpreted as the starting speed and when operation is enabled, is connected to the output of the technology controller (r2294). If fault F07426 "technology controller actual value limited" occurs while ramping up to the starting value and if the associated reaction has been set to "NONE" (see p2100, p2101), the starting value is kept as the speed setpoint instead of a switch to closed-loop control operation.		
p2306	Technology controller fault signal inversion / Tec_ctrl fault inv		
	Access level: 3	Calculated: -	Data type: Integer16
	Can be changed: T	Scaling: -	Dyn. index: -
	Units group: -	Unit selection: -	Func. diagram: 7958
	Min	Max	Factory setting
	0	1	0
Description:	Setting to invert the fault signal of the technology controller. The setting depends on the type of control loop.		
Value:	0: No inversion 1: Inversion		
Caution:	If the actual value inversion is incorrectly selected, then the closed-loop control with the technology controller can become unstable and can oscillate!		
			
Note:	The correct setting can be determined as follows: - inhibit the technology controller (p2200 = 0). - increase the motor speed and in so doing, measure the actual value signal (of the technology controller). - if the actual value increases with increasing motor speed, then the inversion should be switched out. - if the actual value decreases with increasing motor speed, then the inversion should be set. If value = 0: The drive reduces the output speed when the actual value rises (e.g. for heating fans, intake pump, compressor). If value = 1: The drive increases the output speed when the actual value increases (e.g. for cooling fans, discharge pumps).		
r2344	CO: Technology controller last speed setpoint (smoothed) / Tec_ctrl n_setp_sm		
	Access level: 3	Calculated: -	Data type: FloatingPoint32
	Can be changed: -	Scaling: PERCENT	Dyn. index: -
	Units group: -	Unit selection: -	Func. diagram: 7958
	Min	Max	Factory setting
	- [%]	- [%]	- [%]
Description:	Displays the smoothed speed setpoint of the technology controller prior to switching to operation with fault response (see p2345).		
Dependency:	Refer to: p2345		
Note:	Smoothing time = 10 s		

p2345	Technology controller fault response / Tech_ctrl flt resp		
	Access level: 3	Calculated: -	Data type: Integer16
	Can be changed: U, T	Scaling: -	Dyn. index: -
	Units group: -	Unit selection: -	Func. diagram: 7958
	Min	Max	Factory setting
	0	2	0
Description:	Sets the response of the technology controller to the occurrence of fault F07426 (technology controller actual value limited). The fault response is executed if status bit 8 or 9 in the technology controller status word r2349 is set. If both status bits are zero, a switch back to technology controller operation will follow.		
Value:	0: Function inhibited 1: On fault: Changeover to r2344 (or p2302) 2: On fault: Changeover to p2215		
Dependency:	The parameterized fault response is only effective if the technology controller mode is set to p2251 = 0 (technology controller as main setpoint). Refer to: p2267, p2268, r2344		
Notice:	Dependent upon the application, the changing over of the setpoint when fault F07426 occurs can lead to the fault condition disappearing and the re-activation of the technology controller. This can repeat itself and cause limit oscillations. In this case, a different fault response or a different fixed setpoint 15 for the fault response p2345 = 2 should be selected.		
Note:	The parameterized fault response can only be achieved if the default fault response of the technology controller fault F07426 is set to "NONE" (see p2100, p2101). If a fault response other than "NONE" is entered in p2101 for F07426, p2345 must be set to zero. If the fault occurs during ramping up to the starting setpoint p2302, this starting setpoint is retained as the final value (there is no changeover to the fault response setpoint).		

r2349.0...12	CO/BO: Technology controller status word / Tec_ctrl status				
	Access level: 3	Calculated: -	Data type: Unsigned32		
	Can be changed: -	Scaling: -	Dyn. index: -		
	Units group: -	Unit selection: -	Func. diagram: 7958		
	Min	Max	Factory setting		
	-	-	-		
Description:	Displays the status word of the technology controller.				
Bit field:	Bit	Signal name	1 signal	0 signal	FP
	00	Technology controller de-activated	Yes	No	-
	01	Technology controller limited	Yes	No	-
	02	Technology controller motorized potentiometer limited max	Yes	No	-
	03	Technology controller motorized potentiometer limited min	Yes	No	-
	04	Technology controller speed setpoint total in setpoint channel	Yes	No	-
	05	Technology controller RFG bypassed in the setpoint channel	Yes	No	-
	06	Technology controller starting value at the current limit	No	Yes	-
	08	Technology controller actual value at the minimum	Yes	No	-
	09	Technology controller actual value at the maximum	Yes	No	-
	10	Technology controller output at the minimum	Yes	No	-
	11	Technology controller output at the maximum	Yes	No	-
	12	Fault response active	Yes	No	-

p2900[0...n]	CO: Fixed value 1 [%] / Fixed value 1 [%]		
	Access level: 3	Calculated: -	Data type: FloatingPoint32
	Can be changed: U, T	Scaling: PERCENT	Dyn. index: DDS, p0180
	Units group: -	Unit selection: -	Func. diagram: 1021
	Min	Max	Factory setting
	-10000.00 [%]	10000.00 [%]	0.00 [%]
Description:	Setting and connector output for a fixed percentage value.		
Dependency:	Refer to: p2901, r2902, p2930		
Notice:	A BICO interconnection to a parameter that belongs to a drive data set always acts on the effective data set.		
Note:	The value can be used to interconnect a scaling function (e.g. scaling of the main setpoint)		

p2901[0...n]	CO: Fixed value 2 [%] / Fixed value 2 [%]		
	Access level: 3	Calculated: -	Data type: FloatingPoint32
	Can be changed: U, T	Scaling: PERCENT	Dyn. index: DDS, p0180
	Units group: -	Unit selection: -	Func. diagram: 1021
	Min	Max	Factory setting
	-10000.00 [%]	10000.00 [%]	0.00 [%]
Description:	Setting and connector output for a fixed percentage value.		
Dependency:	Refer to: p2900, p2930		
Notice:	A BICO interconnection to a parameter that belongs to a drive data set always acts on the effective data set.		
Note:	The value can be used to interconnect a scaling function (e.g. scaling of the supplementary setpoint)		

r2902[0...14]	CO: Fixed values [%] / Fixed values [%]		
	Access level: 3	Calculated: -	Data type: FloatingPoint32
	Can be changed: -	Scaling: PERCENT	Dyn. index: -
	Units group: -	Unit selection: -	Func. diagram: 1021
	Min	Max	Factory setting
	- [%]	- [%]	- [%]
Description:	Display and connector output for frequently used percentage values.		
Index:	[0] = Fixed value +0 % [1] = Fixed value +5 % [2] = Fixed value +10 % [3] = Fixed value +20 % [4] = Fixed value +50 % [5] = Fixed value +100 % [6] = Fixed value +150 % [7] = Fixed value +200 % [8] = Fixed value -5 % [9] = Fixed value -10 % [10] = Fixed value -20 % [11] = Fixed value -50 % [12] = Fixed value -100 % [13] = Fixed value -150 % [14] = Fixed value -200 %		
Dependency:	Refer to: p2900, p2901, p2930		
Note:	The signal sources can, for example, be used to interconnect scalings.		

p2930[0...n]	CO: Fixed value M [Nm] / Fixed value M [Nm]		
	Access level: 3	Calculated: -	Data type: FloatingPoint32
	Can be changed: U, T	Scaling: p2003	Dyn. index: DDS, p0180
	Units group: -	Unit selection: -	Func. diagram: 1021
	Min	Max	Factory setting
	-100000.00 [Nm]	100000.00 [Nm]	0.00 [Nm]
Description:	Setting and connector output for a fixed torque value.		
Dependency:	Refer to: p2900, p2901, r2902		

2 Parameters

2.2 List of parameters

Notice: A BICO interconnection to a parameter that belongs to a drive data set always acts on the effective data set.

Note: The value can, for example, be used to interconnect a supplementary torque.

r2969[0...6]

Direct axis flux model display / Mot Psid trace

Access level: 3	Calculated: -	Data type: FloatingPoint32
Can be changed: -	Scaling: -	Dyn. index: -
Units group: -	Unit selection: -	Func. diagram: -
Min	Max	Factory setting
-	-	-

Description: Display of the direct axis flux model of the closed-loop controlled reluctance motor for diagnostic purposes:

Display of the entered direct axis current id:

idx0: current in Arms

Display of the saturation curves of the direct axis flux psid(id, iq):

idx1: flux in Vs rms with respect to the direct axis current for iq = 0

idx2: flux in Vs rms with respect to the direct axis current for iq = 0.5 * p2950

idx3: flux in Vs rms with respect to the direct axis current for iq = p2950

Displays the relative error of the current inversion(id(psid, iq) - id) / p2950:

idx4: error with respect to direct axis current for iq = 0

idx5: error with respect to direct axis current for iq = 0.5 * p2950

idx6: error with respect to direct axis current for iq = p2950

Index:

[0] = d-current

[1] = d-flux iq0

[2] = d-flux iq1

[3] = d-flux iq2

[4] = d-current error iq0

[5] = d-current error iq1

[6] = d-current error iq2

Note:

The display is only generated when the pulses are inhibited.

r3113.0...15

CO/BO: NAMUR message bit bar / NAMUR bit bar

Access level: 3	Calculated: -	Data type: Unsigned16
Can be changed: -	Scaling: -	Dyn. index: -
Units group: -	Unit selection: -	Func. diagram: -
Min	Max	Factory setting
-	-	-

Description:

Display and BICO output for the status of the NAMUR message bit bar.

The faults and alarms are assigned to the appropriate signaling/message classes and influence a specific message bit.

Bit field:

Bit	Signal name	1 signal	0 signal	FP
00	Fault converter information electronics/software error	Yes	No	-
01	Network fault	Yes	No	-
02	DC link overvoltage	Yes	No	-
03	Fault drive converter power electronics	Yes	No	-
04	Drive converter overtemperature	Yes	No	-
05	Ground fault	Yes	No	-
06	Motor overload	Yes	No	-
07	Bus error	Yes	No	-
08	External safety-relevant shutdown	Yes	No	-
10	Error communication internal	Yes	No	-
11	Fault infeed	Yes	No	-
15	Other faults	Yes	No	-

Note:

Re bit 00:

Hardware or software malfunction was identified. Carry out a POWER ON of the component involved. If it occurs again, contact the hotline.

Re bit 01:

A line supply fault has occurred (phase failure, voltage level, ...). Check the line supply / fuses. Check the supply voltage. Check the wiring.

Re bit 02:

The DC link voltage has assumed an inadmissibly high value. Check the dimensioning of the system (line supply, reactor, voltages). Check the infeed settings.

Re bit 03:

An inadmissible operating state of the power electronics was identified (overcurrent, overtemperature, IGBT failure, ...). Check that the permissible load cycles are maintained. Check the ambient temperatures (fan).

Re bit 04:

The temperature in the component has exceeded the highest permissible limit. Check the ambient temperature / control cabinet cooling.

Re bit 05:

A ground fault / inter-phase short-circuit was detected in the power cables or in the motor windings. Check the power cable (connection). Check the motor.

Re bit 06:

The motor was operated outside the permissible limits (temperature, current, torque, ...). Check the load cycles and limits that have been set. Check the ambient temperature / motor cooling.

Re bit 07:

The communication to the higher-level control system (internal coupling, PROFIBUS, PROFINET, ...) is faulted or interrupted. Check the state of the higher-level control system. Check the communication connection/wiring. Check the bus configuration / clock cycles.

Re bit 08:

A safety operation monitoring function (Safety) has detected an error.

Re bit 09:

When evaluating the encoder signals (track signals, zero marks, absolute values, ...) an illegal signal state was detected. Check the encoder / state of the encoder signals. Observe the maximum frequencies.

Re bit 10:

The internal communication between the SINAMICS components is faulted or interrupted. Check the DRIVE-CLiQ wiring. Ensure an EMC-compliant design. Observe the maximum permissible quantity structure / clock cycles.

Re bit 11:

The infeed is faulted or has failed. Check the infeed and the surroundings (line supply, filter, reactors, fuses, ...). Check the closed-loop infeed control.

Re bit 15:

Group fault. Determine the precise cause of the fault using the commissioning tool.

p3117

Change safety message type / Ch. SI mess type

Access level: 3	Calculated: -	Data type: Unsigned32
Can be changed: -	Scaling: -	Dyn. index: -
Units group: -	Unit selection: -	Func. diagram: -
Min	Max	Factory setting
0	1	0

Description:

Sets the re-parameterization of all safety messages for faults and alarms.
The relevant message type during changeover is selected by the firmware.
0: Safety messages are not re-parameterized
1: Safety messages are re-parameterized

Note:

A change only becomes effective after a POWER ON.

r3120[0...63]

Component fault / Comp fault

Access level: 3	Calculated: -	Data type: Integer16
Can be changed: -	Scaling: -	Dyn. index: -
Units group: -	Unit selection: -	Func. diagram: 8060
Min	Max	Factory setting
0	3	-

Description:

Displays the component of the fault which has occurred.

2 Parameters

2.2 List of parameters

Value:
 0: No assignment
 1: Control Unit
 2: Power Module
 3: Motor

Dependency: Refer to: r0945, r0947, r0948, r0949, r2109, r2130, r2133, r2136, r3122

Note: The buffer parameters are cyclically updated in the background (refer to status signal in r2139).
 The structure of the fault buffer and the assignment of the indices is shown in r0945.

r3121[0...63]

Component alarm / Comp alarm

Access level: 3	Calculated: -	Data type: Integer16
Can be changed: -	Scaling: -	Dyn. index: -
Units group: -	Unit selection: -	Func. diagram: 8065
Min	Max	Factory setting
0	3	-

Description: Displays the component of the alarm which has occurred.

Value:
 0: No assignment
 1: Control Unit
 2: Power Module
 3: Motor

Dependency: Refer to: r2110, r2122, r2123, r2124, r2125, r2134, r3123

Note: The buffer parameters are cyclically updated in the background (refer to status signal in r2139).
 The structure of the alarm buffer and the assignment of the indices is shown in r2122.

r3122[0...63]

Diagnostic attribute fault / Diag_attr fault

Access level: 3	Calculated: -	Data type: Unsigned32
Can be changed: -	Scaling: -	Dyn. index: -
Units group: -	Unit selection: -	Func. diagram: 8060
Min	Max	Factory setting
-	-	-

Description: Displays the diagnostic attribute of the fault which has occurred.

Bit field:	Bit	Signal name	1 signal	0 signal	FP
	00	Hardware replacement recommended	Yes	No	-
	15	Message has gone	Yes	No	-
	16	PROFIdrive fault class bit 0	High	Low	-
	17	PROFIdrive fault class bit 1	High	Low	-
	18	PROFIdrive fault class bit 2	High	Low	-
	19	PROFIdrive fault class bit 3	High	Low	-
	20	PROFIdrive fault class bit 4	High	Low	-

Dependency: Refer to: r0945, r0947, r0948, r0949, r2109, r2130, r2133, r2136, r3120

Note: The buffer parameters are cyclically updated in the background (refer to status signal in r2139).

The structure of the fault buffer and the assignment of the indices is shown in r0945.

Re bits 20 ... 16:

Bits 20, 19, 18, 17, 16 = 0, 0, 0, 0, 0 --> PROFIdrive message class 0: not assigned

Bits 20, 19, 18, 17, 16 = 0, 0, 0, 0, 1 --> PROFIdrive message class 1: hardware fault/software error

Bits 20, 19, 18, 17, 16 = 0, 0, 0, 1, 0 --> PROFIdrive message class 2: line fault

Bits 20, 19, 18, 17, 16 = 0, 0, 0, 1, 1 --> PROFIdrive message class 3: supply voltage fault

Bits 20, 19, 18, 17, 16 = 0, 0, 1, 0, 0 --> PROFIdrive message class 4: DC link fault

Bits 20, 19, 18, 17, 16 = 0, 0, 1, 0, 1 --> PROFIdrive message class 5: power electronics faulted

Bits 20, 19, 18, 17, 16 = 0, 0, 1, 1, 0 --> PROFIdrive message class 6: overtemperature electronic components

Bits 20, 19, 18, 17, 16 = 0, 0, 1, 1, 1 --> PROFIdrive message class 7: ground fault/phase fault detected

Bits 20, 19, 18, 17, 16 = 0, 1, 0, 0, 0 --> PROFIdrive message class 8: motor overload

Bits 20, 19, 18, 17, 16 = 0, 1, 0, 0, 1 --> PROFIdrive message class 9: communication error to the higher-level control

Bits 20, 19, 18, 17, 16 = 0, 1, 0, 1, 0 --> PROFIdrive message class 10: safe monitoring channel has identified an error

Bits 20, 19, 18, 17, 16 = 0, 1, 0, 1, 1 --> PROFIdrive message class 11: incorrect position actual value/speed actual value or not available

Bits 20, 19, 18, 17, 16 = 0, 1, 1, 0, 0 --> PROFIdrive message class 12: internal (DRIVE-CLiQ) communication error

Bits 20, 19, 18, 17, 16 = 0, 1, 1, 0, 1 --> PROFIdrive message class 13: infeed unit faulted

Bits 20, 19, 18, 17, 16 = 0, 1, 1, 1, 0 --> PROFIdrive message class 14: braking controller/Braking Module faulted

Bits 20, 19, 18, 17, 16 = 0, 1, 1, 1, 1 --> PROFIdrive message class 15: line filter faulted

Bits 20, 19, 18, 17, 16 = 1, 0, 0, 0, 0 --> PROFIdrive message class 16: external measured value/signal state outside the permissible range

Bits 20, 19, 18, 17, 16 = 1, 0, 0, 0, 1 --> PROFIdrive message class 17: application/technology function faulted

Bits 20, 19, 18, 17, 16 = 1, 0, 0, 1, 0 --> PROFIdrive message class 18: error in the parameterization/configuration/commissioning sequence

Bits 20, 19, 18, 17, 16 = 1, 0, 0, 1, 1 --> PROFIdrive message class 19: general drive fault

r3123[0...63] Diagnostic attribute alarm / Diag_attr alarm

Access level: 3	Calculated: -	Data type: Unsigned32
Can be changed: -	Scaling: -	Dyn. index: -
Units group: -	Unit selection: -	Func. diagram: 8065
Min	Max	Factory setting
-	-	-

Description: Displays the diagnostic attribute of the alarm which has occurred.

Bit field:	Bit	Signal name	1 signal	0 signal	FP
	00	Hardware replacement recommended	Yes	No	-
	11	Alarm class bit 0	High	Low	-
	12	Alarm class bit 1	High	Low	-
	13	Maintenance required	Yes	No	-
	14	Maintenance urgently required	Yes	No	-
	15	Message has gone	Yes	No	-
	16	PROFIdrive fault class bit 0	High	Low	-
	17	PROFIdrive fault class bit 1	High	Low	-
	18	PROFIdrive fault class bit 2	High	Low	-
	19	PROFIdrive fault class bit 3	High	Low	-
	20	PROFIdrive fault class bit 4	High	Low	-

Dependency: Refer to: r2110, r2122, r2123, r2124, r2125, r2134, r3121

Note: The buffer parameters are cyclically updated in the background (refer to status signal in r2139).

The structure of the alarm buffer and the assignment of the indices is shown in r2122.

Re bit 12, 11:

These status bits are used for the classification of internal alarm classes and are intended for diagnostic purposes only on certain automation systems with integrated SINAMICS functionality.

Re bits 20 ... 16:

Bits 20, 19, 18, 17, 16 = 0, 0, 0, 0, 0 --> PROFIdrive message class 0: not assigned

Bits 20, 19, 18, 17, 16 = 0, 0, 0, 0, 1 --> PROFIdrive message class 1: hardware fault/software error

Bits 20, 19, 18, 17, 16 = 0, 0, 0, 1, 0 --> PROFIdrive message class 2: line fault

Bits 20, 19, 18, 17, 16 = 0, 0, 0, 1, 1 --> PROFIdrive message class 3: supply voltage fault

Bits 20, 19, 18, 17, 16 = 0, 0, 1, 0, 0 --> PROFIdrive message class 4: DC link fault

Bits 20, 19, 18, 17, 16 = 0, 0, 1, 0, 1 --> PROFIdrive message class 5: power electronics faulted

Bits 20, 19, 18, 17, 16 = 0, 0, 1, 1, 0 --> PROFIdrive message class 6: overtemperature electronic components

Bits 20, 19, 18, 17, 16 = 0, 0, 1, 1, 1 --> PROFIdrive message class 7: ground fault/phase fault detected

Bits 20, 19, 18, 17, 16 = 0, 1, 0, 0, 0 --> PROFIdrive message class 8: motor overload

Bits 20, 19, 18, 17, 16 = 0, 1, 0, 0, 1 --> PROFIdrive message class 9: communication error to the higher-level control

Bits 20, 19, 18, 17, 16 = 0, 1, 0, 1, 0 --> PROFIdrive message class 10: safe monitoring channel has identified an error

Bits 20, 19, 18, 17, 16 = 0, 1, 0, 1, 1 --> PROFIdrive message class 11: incorrect position actual value/speed actual value or not available

Bits 20, 19, 18, 17, 16 = 0, 1, 1, 0, 0 --> PROFIdrive message class 12: internal (DRIVE-CLiQ) communication error

Bits 20, 19, 18, 17, 16 = 0, 1, 1, 0, 1 --> PROFIdrive message class 13: infeed unit faulted

Bits 20, 19, 18, 17, 16 = 0, 1, 1, 1, 0 --> PROFIdrive message class 14: braking controller/Braking Module faulted

Bits 20, 19, 18, 17, 16 = 0, 1, 1, 1, 1 --> PROFIdrive message class 15: line filter faulted

Bits 20, 19, 18, 17, 16 = 1, 0, 0, 0, 0 --> PROFIdrive message class 16: external measured value/signal state outside the permissible range

2 Parameters

2.2 List of parameters

Bits 20, 19, 18, 17, 16 = 1, 0, 0, 0, 1 --> PROFIdrive message class 17: application/technology function faulted

Bits 20, 19, 18, 17, 16 = 1, 0, 0, 1, 0 --> PROFIdrive message class 18: error in the parameterization/configuration/commissioning sequence

Bits 20, 19, 18, 17, 16 = 1, 0, 0, 1, 1 --> PROFIdrive message class 19: general drive fault

p3233[0...n]	Torque actual value filter time constant / M_act_filt T		
	Access level: 3	Calculated: -	Data type: FloatingPoint32
	Can be changed: U, T	Scaling: -	Dyn. index: DDS, p0180
	Units group: -	Unit selection: -	Func. diagram: 8013
	Min	Max	Factory setting
	0 [ms]	1000000 [ms]	100 [ms]
Description:	Sets the time constant for the PT1 element to smooth the torque actual value. The smoothed torque actual value is compared with the threshold values and is only used for messages and signals.		

p3320[0...n]	Fluid flow machine power point 1 / Fluid_mach P1		
	Access level: 2	Calculated: -	Data type: FloatingPoint32
	Can be changed: U, T	Scaling: -	Dyn. index: DDS, p0180
	Units group: -	Unit selection: -	Func. diagram: -
	Min	Max	Factory setting
	0.00	100.00	25.00
Description:	For the energy-saving display of a fluid-flow machine, a typical flow characteristic $P = f(n)$ with 5 points along the characteristic is required. This parameter specifies the power (P) of point 1 as a [%]. The characteristic comprises the following value pairs: Power (P) / speed (n) p3320 / p3321 --> point 1 (P1 / n1) p3322 / p3323 --> point 2 (P2 / n2) p3324 / p3325 --> point 3 (P3 / n3) p3326 / p3327 --> point 4 (P4 / n4) p3328 / p3329 --> point 5 (P5 / n5)		
Dependency:	Refer to: r0041, p3321, p3322, p3323, p3324, p3325, p3326, p3327, p3328, p3329		
Note:	The reference value for power and speed is the rated power/rated speed. The energy saved is displayed in r0041.		

p3321[0...n]	Fluid flow machine speed point 1 / Fluid_mach n1		
	Access level: 2	Calculated: -	Data type: FloatingPoint32
	Can be changed: U, T	Scaling: -	Dyn. index: DDS, p0180
	Units group: -	Unit selection: -	Func. diagram: -
	Min	Max	Factory setting
	0.00	100.00	0.00
Description:	For the energy-saving display of a fluid-flow machine, a typical flow characteristic $P = f(n)$ with 5 points along the characteristic is required. This parameter specifies the speed (n) of point 1 as a [%]. The characteristic comprises the following value pairs: Power (P) / speed (n) p3320 / p3321 --> point 1 (P1 / n1) p3322 / p3323 --> point 2 (P2 / n2) p3324 / p3325 --> point 3 (P3 / n3) p3326 / p3327 --> point 4 (P4 / n4) p3328 / p3329 --> point 5 (P5 / n5)		
Dependency:	Refer to: r0041, p3320, p3322, p3323, p3324, p3325, p3326, p3327, p3328, p3329		
Note:	The reference value for power and speed is the rated power/rated speed. The energy saved is displayed in r0041.		

p3322[0...n]	Fluid flow machine power point 2 / Fluid_mach P2		
	Access level: 2	Calculated: -	Data type: FloatingPoint32
	Can be changed: U, T	Scaling: -	Dyn. index: DDS, p0180
	Units group: -	Unit selection: -	Func. diagram: -
	Min	Max	Factory setting
	0.00	100.00	50.00
Description:	For the energy-saving display of a fluid-flow machine, a typical flow characteristic $P = f(n)$ with 5 points along the characteristic is required. This parameter specifies the power (P) of point 2 as a [%].		
Dependency:	Refer to: r0041, p3320, p3321, p3323, p3324, p3325, p3326, p3327, p3328, p3329		
Note:	The reference value for power and speed is the rated power/rated speed. The energy saved is displayed in r0041.		

p3323[0...n]	Fluid flow machine speed point 2 / Fluid_mach n2		
	Access level: 2	Calculated: -	Data type: FloatingPoint32
	Can be changed: U, T	Scaling: -	Dyn. index: DDS, p0180
	Units group: -	Unit selection: -	Func. diagram: -
	Min	Max	Factory setting
	0.00	100.00	25.00
Description:	For the energy-saving display of a fluid-flow machine, a typical flow characteristic $P = f(n)$ with 5 points along the characteristic is required. This parameter specifies the speed (n) of point 2 as a [%].		
Dependency:	Refer to: r0041, p3320, p3321, p3322, p3324, p3325, p3326, p3327, p3328, p3329		
Note:	The reference value for power and speed is the rated power/rated speed. The energy saved is displayed in r0041.		

p3324[0...n]	Fluid flow machine power point 3 / Fluid_mach P3		
	Access level: 2	Calculated: -	Data type: FloatingPoint32
	Can be changed: U, T	Scaling: -	Dyn. index: DDS, p0180
	Units group: -	Unit selection: -	Func. diagram: -
	Min	Max	Factory setting
	0.00	100.00	77.00
Description:	For the energy-saving display of a fluid-flow machine, a typical flow characteristic $P = f(n)$ with 5 points along the characteristic is required. This parameter specifies the power (P) of point 3 as a [%].		
Dependency:	Refer to: r0041, p3320, p3321, p3322, p3323, p3325, p3326, p3327, p3328, p3329		
Note:	The reference value for power and speed is the rated power/rated speed. The energy saved is displayed in r0041.		

p3325[0...n]	Fluid flow machine speed point 3 / Fluid_mach n3		
	Access level: 2	Calculated: -	Data type: FloatingPoint32
	Can be changed: U, T	Scaling: -	Dyn. index: DDS, p0180
	Units group: -	Unit selection: -	Func. diagram: -
	Min	Max	Factory setting
	0.00	100.00	50.00
Description:	For the energy-saving display of a fluid-flow machine, a typical flow characteristic $P = f(n)$ with 5 points along the characteristic is required. This parameter specifies the speed (n) of point 3 as a [%].		
Dependency:	Refer to: r0041, p3320, p3321, p3322, p3323, p3324, p3326, p3327, p3328, p3329		
Note:	The reference value for power and speed is the rated power/rated speed. The energy saved is displayed in r0041.		

p3326[0...n]	Fluid flow machine power point 4 / Fluid_mach P4		
	Access level: 2	Calculated: -	Data type: FloatingPoint32
	Can be changed: U, T	Scaling: -	Dyn. index: DDS, p0180
	Units group: -	Unit selection: -	Func. diagram: -
	Min	Max	Factory setting
	0.00	100.00	92.00
Description:	For the energy-saving display of a fluid-flow machine, a typical flow characteristic $P = f(n)$ with 5 points along the characteristic is required. This parameter specifies the power (P) of point 4 as a [%].		
Dependency:	Refer to: r0041, p3320, p3321, p3322, p3323, p3324, p3325, p3327, p3328, p3329		
Note:	The reference value for power and speed is the rated power/rated speed. The energy saved is displayed in r0041.		
p3327[0...n]	Fluid flow machine speed point 4 / Fluid_mach n4		
	Access level: 2	Calculated: -	Data type: FloatingPoint32
	Can be changed: U, T	Scaling: -	Dyn. index: DDS, p0180
	Units group: -	Unit selection: -	Func. diagram: -
	Min	Max	Factory setting
	0.00	100.00	75.00
Description:	For the energy-saving display of a fluid-flow machine, a typical flow characteristic $P = f(n)$ with 5 points along the characteristic is required. This parameter specifies the speed (n) of point 4 as a [%].		
Dependency:	Refer to: r0041, p3320, p3321, p3322, p3323, p3324, p3325, p3326, p3328, p3329		
Note:	The reference value for power and speed is the rated power/rated speed. The energy saved is displayed in r0041.		
p3328[0...n]	Fluid flow machine power point 5 / Fluid_mach P5		
	Access level: 2	Calculated: -	Data type: FloatingPoint32
	Can be changed: U, T	Scaling: -	Dyn. index: DDS, p0180
	Units group: -	Unit selection: -	Func. diagram: -
	Min	Max	Factory setting
	0.00	100.00	100.00
Description:	For the energy-saving display of a fluid-flow machine, a typical flow characteristic $P = f(n)$ with 5 points along the characteristic is required. This parameter specifies the power (P) of point 5 as a [%].		
Dependency:	Refer to: r0041, p3320, p3321, p3322, p3323, p3324, p3325, p3326, p3327, p3329		
Note:	The reference value for power and speed is the rated power/rated speed. The energy saved is displayed in r0041.		
p3329[0...n]	Fluid flow machine speed point 5 / Fluid_mach n5		
	Access level: 2	Calculated: -	Data type: FloatingPoint32
	Can be changed: U, T	Scaling: -	Dyn. index: DDS, p0180
	Units group: -	Unit selection: -	Func. diagram: -
	Min	Max	Factory setting
	0.00	100.00	100.00
Description:	For the energy-saving display of a fluid-flow machine, a typical flow characteristic $P = f(n)$ with 5 points along the characteristic is required. This parameter specifies the speed (n) of point 5 as a [%].		
Dependency:	Refer to: r0041, p3320, p3321, p3322, p3323, p3324, p3325, p3326, p3327, p3328		
Note:	The reference value for power and speed is the rated power/rated speed. The energy saved is displayed in r0041.		

p3330[0...n]	BI: 2/3 wire control command 1 / 2/3 wire cmd 1		
	Access level: 3	Calculated: -	Data type: U32 / Binary
	Can be changed: U, T	Scaling: -	Dyn. index: CDS, p0170
	Units group: -	Unit selection: -	Func. diagram: 2272, 2273
	Min	Max	Factory setting
	-	-	0

Description: Sets the signal source for command 1 for the two-wire control/three-wire control.
Dependency: Refer to: p0015, p3331, p3332, r3333, p3334
Note: The mode of operation of this binector input is dependent on the wire control set in p0015.

p3331[0...n]	BI: 2/3 wire control command 2 / 2/3 wire cmd 2		
	Access level: 3	Calculated: -	Data type: U32 / Binary
	Can be changed: U, T	Scaling: -	Dyn. index: CDS, p0170
	Units group: -	Unit selection: -	Func. diagram: 2272, 2273
	Min	Max	Factory setting
	-	-	0

Description: Sets the signal source for command 2 for the two-wire control/three-wire control.
Dependency: Refer to: p0015, p3330, p3332, r3333, p3334
Note: The mode of operation of this binector input is dependent on the wire control set in p0015.

p3332[0...n]	BI: 2/3 wire control command 3 / 2/3 wire cmd 3		
	Access level: 3	Calculated: -	Data type: U32 / Binary
	Can be changed: U, T	Scaling: -	Dyn. index: CDS, p0170
	Units group: -	Unit selection: -	Func. diagram: 2273
	Min	Max	Factory setting
	-	-	0

Description: Sets the signal source for command 3 for the two-wire control/three-wire control.
Dependency: Refer to: p0015, p3330, p3331, r3333, p3334
Note: The mode of operation of this binector input is dependent on the wire control set in p0015.

r3333.0...3	CO/BO: 2/3 wire control control word / 2/3 wire STW		
	Access level: 3	Calculated: -	Data type: Unsigned32
	Can be changed: -	Scaling: -	Dyn. index: -
	Units group: -	Unit selection: -	Func. diagram: 2272, 2273
	Min	Max	Factory setting
	-	-	-

Description: Displays the control word for the two wire control/three wire control.
The control signals are dependent on the wire control set in p0015 and the signal states at the digital inputs.

Bit field:	Bit	Signal name	1 signal	0 signal	FP
	00	ON	Yes	No	-
	01	Reversing	Yes	No	-
	02	ON inverted	Yes	No	-
	03	Reversing inverted	Yes	No	-

Dependency: Refer to: p0015, p3330, p3331, p3332, p3334

p3334	2/3 wire control selection / 2/3 wire select		
	Access level: 4	Calculated: -	Data type: Integer16
	Can be changed: U, T	Scaling: -	Dyn. index: -
	Units group: -	Unit selection: -	Func. diagram: 2272, 2273
	Min	Max	Factory setting
	0	4	0

Description: Sets the two wire control/three wire control.

2 Parameters

2.2 List of parameters

Value:	0: No wire control
	1: Two wire control clockwise/counterclockwise 1
	2: Two wire control clockwise/counterclockwise 2
	3: Three wire control enable clockwise/counterclockwise
	4: Three wire control enable ON/reversing
Dependency:	Refer to: p0015, p3330, p3331, p3332, r3333
Note:	This value depends on the wire control set in p0015.

p3856[0...n]	Compound braking current / Compound I_brake		
	Access level: 3	Calculated: -	Data type: FloatingPoint32
	Can be changed: U, T	Scaling: PERCENT	Dyn. index: DDS, p0180
	Units group: -	Unit selection: -	Func. diagram: -
	Min	Max	Factory setting
	0.00 [%]	250.00 [%]	0.00 [%]
Description:	Compound braking current is used to define the amount of DC current that is produced on stopping the motor during U/f operation to further increase the DC brake function. Compound braking is a superimposition of the DC brake function with regenerative braking (net braking along the ramp) after OFF1 or OFF3. This permits braking with controlled motor frequency and minimum power input into the motor. Effective braking without using additional hardware components is obtained by optimizing the ramp down time and compound braking.		
Dependency:	The compound braking current is only activated if the DC link voltage exceeds the threshold value in r1282. Compound braking does not operate in the following cases: - DC braking activated (p1230, r1239). - motor is still not magnetized (e.g. for flying restart). - vector control parameterized (p1300 >= 20). - synchronous motor used (p0300 = 2xx).		
Notice:	Generally, increasing the braking current improves the braking effect when stopping the motor. However, if the value is set too high, then the drive can be tripped (shut down) as a result of overcurrent or ground fault. Recommendation: $p3856 < 100 \% \times (r0209 - r0331) / p0305 / 2$ Compound braking generates a current in the motor with a ripple manifesting the rotational frequency. The higher the braking current is set, the higher the resulting ripple, especially when the Vdc_max control is simultaneously active (refer to p1280).		
Note:	The parameter value is entered relative to the rated motor current (p0305). Compound braking is deactivated with p3856 = 0%.		

r3859.0	CO/BO: Compound braking/DC quantity control status word / Comp-br/DC_ctr ZSW				
	Access level: 3	Calculated: -	Data type: Unsigned32		
	Can be changed: -	Scaling: -	Dyn. index: -		
	Units group: -	Unit selection: -	Func. diagram: 6797		
	Min	Max	Factory setting		
	-	-	-		
Description:	Display and connector output for the status word of the compound braking and DC quantity control.				
Bit field:	Bit	Signal name	1 signal	0 signal	FP
	00	Compound braking active	Yes	No	-
Dependency:	Refer to: p3856				

p3900	Completion of quick commissioning / Compl quick_comm		
	Access level: 1	Calculated: -	Data type: Integer16
	Can be changed: C(1)	Scaling: -	Dyn. index: -
	Units group: -	Unit selection: -	Func. diagram: -
	Min	Max	Factory setting
	0	3	0
Description:	Exits quick commissioning (p0010 = 1) with automatic calculation of all parameters of all existing drive data sets that depend on the entries made during quick commissioning.		

p3900 = 1 initially includes a parameter reset (factory setting, the same as p0970 = 1) for all parameters of the drive object; however, without overwriting the entries made during the quick commissioning.

The interconnections of PROFIBUS PZD telegram selection (p0922) and the interconnections via p15 and p1500 are re-established and all of the dependent motor, open-loop and control-loop control parameters are calculated (corresponding to p0340 = 1).

p3900 = 2 includes the restoration of the interconnections of PROFIBUS PZD telegram selection (p0922) and the interconnections via p15 and p1500 and the calculations corresponding to p0340 = 1.

p3900 = 3 only includes the calculations associated with the motor, open-loop and closed-loop control parameters corresponding to p0340 = 1.

Value:	0: No quick parameterization
	1: Quick parameterization after parameter reset
	2: Quick parameterization (only) for BICO and motor parameters
	3: Quick parameterization for motor parameters (only)

Notice: After the value has been modified, no further parameter modifications can be made and the status is shown in r3996. Modifications can be made again when r3996 = 0.

Note: When the calculations have been completed, p3900 and p0010 are automatically reset to a value of zero. When calculating motor, open-loop and closed-loop control parameters (such as for p0340 = 1) parameters associated with a selected Siemens catalog motor are not overwritten. If a catalog motor has not been selected (p0300), then the following parameters are reset with p3900 > 0 in order to restore the situation that applied when commissioning the drive for the first time:
induction motor: p0320, p0352, p0362 ... p0369, p0604, p0605
synchronous motor: p0352, p0604, p0605

r3925[0...n] Identification final display / Ident final_disp

Access level: 3	Calculated: p0340 = 1	Data type: Unsigned32
Can be changed: -	Scaling: -	Dyn. index: DDS, p0180
Units group: -	Unit selection: -	Func. diagram: -
Min	Max	Factory setting
-	-	-

Description: Displays the commissioning steps that have been carried out.

Bit field:	Bit	Signal name	1 signal	0 signal	FP
	00	Motor/control parameters calculated (p0340 = 1, p3900 > 0)	Yes	No	-
	02	Motor data identification carried out at standstill (p1910 = 1)	Yes	No	-
	03	Rotating measurement carried out (p1960 = 1, 2)	Yes	No	-
	08	Motor identification data have been automatically backed up	Yes	No	-
	15	Motor equivalent circuit diagram parameters changed	Yes	No	-

Note: The individual bits are only set if the appropriate action has been initiated and successfully completed. When motor rating plate parameters are changed, the final display is reset.

r3926[0...n] Voltage generation alternating base voltage amplitude / U_gen altern base

Access level: 4	Calculated: -	Data type: FloatingPoint32
Can be changed: -	Scaling: -	Dyn. index: MDS
Units group: -	Unit selection: -	Func. diagram: -
Min	Max	Factory setting
- [V]	- [V]	- [V]

Description: Displays the base voltage for the alternating voltage in the context of motor data identification.

0:
No alternating voltages. The function is de-activated.
<0:
Automatic determination of the base voltage and wobulation / self-setting based on the converter and the connected motor.
Otherwise:
Base voltage for alternating current generation in volts (wobulation active).

r3927[0...n]		Motor data identification control word / MotID STW			
Access level: 4		Calculated: p0340 = 1	Data type: Unsigned32		
Can be changed: -		Scaling: -	Dyn. index: DDS, p0180		
Units group: -		Unit selection: -	Func. diagram: -		
Min		Max	Factory setting		
-		-	-		
Description:	Successfully completed component of the last motor data identification carried out.				
Bit field:	Bit	Signal name	1 signal	0 signal	FP
	00	Stator inductance estimate no measurement	Yes	No	-
	02	Rotor time constant estimate no measurement	Yes	No	-
	03	Leakage inductance estimate no measurement	Yes	No	-
	05	Determine Tr and Lsig evaluation in the time range	Yes	No	-
	06	Activate vibration damping	Yes	No	-
	07	De-activate vibration detection	Yes	No	-
	11	De-activate pulse measurement Lq Ld	Yes	No	-
	12	De-activate rotor resistance Rr measurement	Yes	No	-
	14	De-activate valve interlocking time measurement	Yes	No	-
	15	Determine only stator resistance, valve voltage fault, dead time	Yes	No	-
	16	Short motor identification (lower quality)	Yes	No	-
	17	Measurement without control parameter calculation	Yes	No	-
	18	After motID direct transition into operation	Yes	No	-
	19	After MotID automatically save results	Yes	No	-
	20	Estimate cable resistance	Yes	No	-
	21	Calibrating the output voltage measurement	Yes	No	-
Dependency:	Refer to: r3925				
Note:	The parameter is a copy of p1909.				

r3928[0...n]		Rotating measurement configuration / Rot meas config			
Access level: 4		Calculated: p0340 = 1	Data type: Unsigned16		
Can be changed: -		Scaling: -	Dyn. index: DDS, p0180		
Units group: -		Unit selection: -	Func. diagram: -		
Min		Max	Factory setting		
-		-	-		
Description:	Successfully completed component of the last rotating measurement carried out.				
Bit field:	Bit	Signal name	1 signal	0 signal	FP
	01	Saturation characteristic identification	Yes	No	-
	02	Moment of inertia identification	Yes	No	-
	03	Re-calculates the speed controller parameters	Yes	No	-
	04	Speed controller optimization (vibration test)	Yes	No	-
	05	q leakage inductance ident. (for current controller adaptation)	Yes	No	-
	11	Do not change the controller parameters during the measurement	Yes	No	-
	12	Measurement shortened	Yes	No	-
	13	After measurement direct transition into operation	Yes	No	-
Dependency:	Refer to: r3925				
Note:	The parameter is a copy of p1959.				

r3929[0...n]		Motor data identification modulated voltage generation / MotID U_gen mod			
	Access level: 4	Calculated: p0340 = 1	Data type: Unsigned32		
	Can be changed: -	Scaling: -	Dyn. index: DDS, p0180		
	Units group: -	Unit selection: -	Func. diagram: -		
	Min	Max	Factory setting		
	-	-	-		
Description:	Configuration of voltage generation for the various MotID sections in the case of the most recent successful MotID.				
Bit field:	Bit	Signal name	1 signal	0 signal	FP
	00	Wobble U_generate to determine dead-time correction	Yes	No	-
	01	Wobble U_generate to determine stator resistance	Yes	No	-
	02	Wobble U_generation to determine rotor time constant	Yes	No	-
	03	Wobble U_generation to determine leakage inductance	Yes	No	-
	04	Wobble U_generation to determine dynamic leakage inductance	Yes	No	-
	05	Wobble U_generation to determine magnetizing inductance	Yes	No	-
	08	Alternating U_generate to determine dead-time correction	Yes	No	-
	09	Alternating U_generate to determine stator resistance	Yes	No	-
	10	Alternating U_generate to determine rotor time constant	Yes	No	-
	11	Alternating U_generate to determine leakage inductance	Yes	No	-
	12	Alternating U_generate to determine dyn. leakage inductance	Yes	No	-
	13	Alternating U_generate to determine magnetizing inductance	Yes	No	-
p3950		Service parameter / Serv par			
	Access level: 3	Calculated: -	Data type: Unsigned16		
	Can be changed: C, U, T	Scaling: -	Dyn. index: -		
	Units group: -	Unit selection: -	Func. diagram: -		
	Min	Max	Factory setting		
	-	-	-		
Description:	For service personnel only.				
p3981		Faults acknowledge drive object / Faults ackn DO			
	Access level: 3	Calculated: -	Data type: Unsigned8		
	Can be changed: U, T	Scaling: -	Dyn. index: -		
	Units group: -	Unit selection: -	Func. diagram: 8060		
	Min	Max	Factory setting		
	0	1	0		
Description:	Setting to acknowledge all active faults of a drive object.				
Notice:	Safety messages cannot be acknowledged using this parameter.				
Note:	Parameter should be set from 0 to 1 to acknowledge. After acknowledgement, the parameter is automatically reset to 0.				


p3985 **Master control mode selection / PcCtrl mode select**

Access level: 3	Calculated: -	Data type: Integer16
Can be changed: U, T	Scaling: -	Dyn. index: -
Units group: -	Unit selection: -	Func. diagram: -
Min	Max	Factory setting
0	1	0

Description: Sets the mode to change over the master control / LOCAL mode.

Value: 0: Change master control for STW1.0 = 0
1: Change master control in operation

Danger: When changing the master control in operation, the drive can manifest undesirable behavior - e.g. it can accelerate up to another setpoint.



r3996[0...1] **Parameter write inhibit status / Par_write inhib st**

Access level: 3	Calculated: -	Data type: Unsigned8
Can be changed: -	Scaling: -	Dyn. index: -
Units group: -	Unit selection: -	Func. diagram: -
Min	Max	Factory setting
-	-	-

Description: Displays whether writing to parameters is inhibited.
r3996[0] = 0: Parameter write not inhibited.
0 < r3996[0] < 100: Parameter write inhibited. The value shows how the calculations are progressing.

Index: [0] = Progress calculations
[1] = Cause

Note: Re index 1:
Only for internal Siemens troubleshooting.

p5300[0...n] **Autotuning selection / Autotuning select**


Access level: 2	Calculated: -	Data type: Integer16
Can be changed: T	Scaling: -	Dyn. index: DDS, p0180
Units group: -	Unit selection: -	Func. diagram: 5045
Min	Max	Factory setting
-1	2	0

Description: Sets activation/de-activation of the "auto tuning" function.
To permanently save the values that have been set, the parameters must be saved in a non-volatile memory (p0977 = 1).
The individual measuring steps can be configured in the following parameters:
p5301 for "One Button Tuning" (p5300=1) - this function is being prepared
p5302 for "Online Tuning" (p5300=2)

Value: -1: Reset (restore default values)
0: Inactive
1: One Button Tuning
2: Online Tuning

Dependency: The prerequisite for the "auto tuning" function is that the "Moment of inertia estimator" function module is activated (r0108.10).
Refer to: p5301, p5302

Warning: Only the motor measuring system is taken into account when optimizing the position controller. If an external measuring system is used for the position control, then this can result in an unstable controller setting.



Caution:

For some drive trains, the "onlinetuning" function can result in unstable settings. (motor makes a whistling sound). This is especially the case for high load moments of inertia, which are coupled to the motor through a low-frequency connection/coupling. This case, parameter p5272 or p5273 must be reduced.

Note:

If p5300 = -1:

Autotuning is deactivated, and p5300 is automatically set to 0. In addition, the default setting values for the speed and position controller are restored.

If p5300 = 0:

Online tuning is inactive. To permanently save the values determined for the speed and position controllers, the parameters must be saved in a non-volatile memory (p0977 = 1).

The results of the moment of inertia estimator can be reset using p5300 = 0. The moment of inertia and the tuning parameters must be redetermined after p5300 > 0.

If p5300 = 1:

One Button Tuning is active. The moment of inertia is determined once using a test signal. The controller parameters and current setpoint filters are additionally determined once using a noise signal as excitation source.

If p5300 = 2:

Onlinetuning is active. The moment of inertia is estimated. The controller parameters are recalculated if the moment of inertia noticeably changes.

p5301[0...n]**One Button Tuning configuration / OBT config**

Access level: 3	Calculated: -	Data type: Unsigned32
Can be changed: U, T	Scaling: -	Dyn. index: DDS, p0180
Units group: -	Unit selection: -	Func. diagram: -
Min	Max	Factory setting
-	-	0000 0111 bin

Description:

Setting the functions for One Button Tuning (p5300 = 1).

As long as autotuning is still active (p5300 <> 0), it is not possible to change the configuration.

A test signal is required for some measuring steps. Parameters p5307 to p5309 must be observed for this purpose.

Bit field:

Bit	Signal name	1 signal	0 signal	FP
00	Setting Kp	Yes	No	-
01	Setting current setpoint filter	Yes	No	-
02	Moment of inertia estimator	Yes	No	-
07	Synchronized axes	Yes	No	-

Dependency:

Refer to: p5300

Note:

Re bit 00:

The speed controller gain is determined and set using a noise signal.

Re bit 01:

Possibly required current setpoint filters are determined and set using a noise signal.


As a consequence, a higher dynamic performance can be achieved in the speed control loop.

Re bit 02:

Using this bit, the moment of inertia is determined using a test signal. If this bit is not set, then the load moment of inertia must be manually parameterized in parameter p1498. The test signal must have been previously set using parameters p5308 and p5309.

Re bit 07:

With this function, these axes are adapted to the dynamic response set in p5275. This is necessary for interpolating axes. The time in p5275 should be set according to the axis with the lowest dynamic response.

p5302[0...n]	Online tuning configuration / OT config			
	Access level: 3	Calculated: -	Data type: Unsigned32	
	Can be changed: U, T	Scaling: -	Dyn. index: DDS, p0180	
	Units group: -	Unit selection: -	Func. diagram: -	
	Min	Max	Factory setting	
	-	-	0000 1100 bin	
Description:	<p>Setting the functions for online tuning (p5300 = 2). As long as autotuning is still active (p5300 <> 0), it is not possible to change the configuration. A noise signal is required for some measuring steps.</p>			
Bit field:	Bit	Signal name	1 signal	0 signal
	00	Setting Kp	Yes	No
	01	Setting current setpoint filter	Yes	No
	02	Moment of inertia estimator	Yes	No
	03	Moment of inertia estimator	Cyclic	Once
	06	Current setpoint filter adaptation	Yes	No
	07	Synchronized axes	Yes	No
Dependency:	<p>This parameter can only be changed if p5300=0 has been parameterized. Refer to: p5300</p>			
Caution:	<p>Please note the general conditions of the moment of inertia estimator, online tuning and adaptive resonance filter. See Function Manual FH1.</p>			
				
Note:	<p>Re bit 00: being prepared The speed controller gain is determined and set using a noise signal.</p> <p>Re bit 01: being prepared Possibly required current setpoint filters are determined and set using a noise signal. As a consequence, a higher dynamic performance can be achieved in the speed control loop.</p> <p>Re bit 02: Using this bit, the moment of inertia is determined while traversing (moment of inertia estimator). If this bit is not set, then the load moment of inertia must be manually parameterized in parameter p1498.</p> <p>Re bit 03: If "once" has been parameterized, then after successfully determining the moment of inertia p1498 the moment of inertia estimator is deactivated. If "Cyclic" has been parameterized, then the moment of inertia is continually determined and the controller parameters adapted. After the moment of inertia has been successfully determined (r1407.26=1), we recommend that the parameter is saved. This means that after power on, the controller does not have to re-stabilize.</p> <p>Re bit 06: The adaptation of a current setpoint filter can be set here. See p5280-p5285. This adaptation may be necessary if a mechanical resonance frequency changes in operation. It can also be used to dampen a fixed resonance frequency. Once the control loop has stabilized, this bit should be deactivated and the determined parameters saved in a non-volatile fashion.</p> <p>Re bit 07: With this function, these axes are adapted to the dynamic response set in p5275. This is necessary for interpolating axes. The time in p5275 should be set according to the axis with the lowest dynamic response.</p>			

r5397	Mot_temp_mod 3 ambient temperature image p0613 / AmbTmp image p0613		
	Access level: 2	Calculated: -	Data type: FloatingPoint32
	Can be changed: -	Scaling: -	Dyn. index: -
	Units group: 21_1	Unit selection: p0505	Func. diagram: 8017
	Min	Max	Factory setting
	- [°C]	- [°C]	- [°C]
Description:	Displays the ambient temperature for motor temperature model 3. This value is used to calculate the utilization display (p0034). The parameter value is an image of p0613.		
Dependency:	Refer to: r0034		
Note:	Users cannot see and change parameter p0613 (only Siemens internal).		
r5398[0...n]	Mot_temp_mod 3 alarm threshold image p5390 / A thr image p5390		
	Access level: 2	Calculated: -	Data type: FloatingPoint32
	Can be changed: -	Scaling: -	Dyn. index: MDS
	Units group: 21_1	Unit selection: p0505	Func. diagram: 8017
	Min	Max	Factory setting
	- [°C]	- [°C]	- [°C]
Description:	Displays the alarm threshold for monitoring the motor temperature for motor temperature model 3. This value is used to calculate the utilization display (p0034). The parameter value is an image of p5390.		
Note:	Users cannot see and change parameter p5390 (only Siemens internal).		
r5399[0...n]	Mot_temp_mod 3 fault threshold image p5391 / F thr image p5391		
	Access level: 2	Calculated: -	Data type: FloatingPoint32
	Can be changed: -	Scaling: -	Dyn. index: MDS
	Units group: 21_1	Unit selection: p0505	Func. diagram: 8017
	Min	Max	Factory setting
	- [°C]	- [°C]	- [°C]
Description:	Sets the fault threshold for monitoring the motor temperature for motor temperature model 3. Fault F07011 is output after the fault threshold is exceeded. The parameter value is an image of p5391.		
Note:	Users cannot see and change parameter p5391 (only Siemens internal).		
r5600	Pe energy saving mode ID / Pe mode ID		
G120C_PN	Access level: 3	Calculated: -	Data type: Integer16
	Can be changed: -	Scaling: -	Dyn. index: -
	Units group: -	Unit selection: -	Func. diagram: -
	Min	Max	Factory setting
	0	255	-
Description:	Displays the PROFlenergy mode ID of the effective energy saving mode.		
Value:	0: POWER OFF 2: Energy-saving mode 2 255: Ready		
Note:	Pe: PROFlenergy profiles		

p5602[0...1]	Pe energy-saving mode pause time minimal / Pe mod t_pause min		
G120C_PN	Access level: 3	Calculated: -	Data type: Unsigned32
	Can be changed: T	Scaling: -	Dyn. index: -
	Units group: -	Unit selection: -	Func. diagram: 2381
	Min	Max	Factory setting
	300000 [ms]	4294967295 [ms]	[0] 300000 [ms] [1] 480000 [ms]

Description: Sets the minimum possible pause time for the energy-saving mode.
The value is the sum of the following times:
- Energy-saving mode transition time
- Operating state transition time regular
- Energy-saving mode, dwell time minimal

Index: [0] = Reserved
[1] = Mode 2

Note: It is not permissible that the value is less than the sum of the "energy-saving mode transition time" and the "operating state transition time" (system properties).
Pe: PROFIenergy profiles

p5606[0...1]	Pe energy-saving mode dwell time maximum / Pe t_dwell max		
G120C_PN	Access level: 3	Calculated: -	Data type: Unsigned32
	Can be changed: T	Scaling: -	Dyn. index: -
	Units group: -	Unit selection: -	Func. diagram: -
	Min	Max	Factory setting
	0 [ms]	4294967295 [ms]	4294967295 [ms]

Description: Sets the maximum dwell time for the energy-saving mode.

Index: [0] = Reserved
[1] = Mode 2

Note: Pe: PROFIenergy profiles

p5611	Pe energy-saving properties general / Pe properties gen		
G120C_PN	Access level: 3	Calculated: -	Data type: Unsigned32
	Can be changed: T	Scaling: -	Dyn. index: -
	Units group: -	Unit selection: -	Func. diagram: -
	Min	Max	Factory setting
	-	-	0000 bin

Description: Sets the general properties for energy-saving.

Bit field:	Bit	Signal name	1 signal	0 signal	FP
	00	Inhibit PROFIenergy control commands	Yes	No	-
	01	Drive initiates OFF1 when transitioning to energy-saving mode	Yes	No	-
	02	Trans into energy-saving mode from PROFIdrive state S4 poss	Yes	No	-

Note: Pe: PROFIenergy profiles
PROFIdrive state S4: operation

p5612[0...1]	Pe energy-saving properties mode-dependent / Pe properties mod		
G120C_PN	Access level: 3	Calculated: -	Data type: Unsigned32
	Can be changed: T	Scaling: -	Dyn. index: -
	Units group: -	Unit selection: -	Func. diagram: -
	Min	Max	Factory setting
	-	-	[0] 0110 bin [1] 0000 bin

Description: Sets the mode-dependent properties for energy-saving.

Index: [0] = Reserved
[1] = Mode 2

Bit field:	Bit	Signal name	1 signal	0 signal	FP
	00	Reserved	Yes	No	-

Note: Pe: PROFIenergy profiles

r5613.0...1 CO/BO: Pe energy-saving active/inactive / Pe save act/inact

G120C_PN	Access level: 3	Calculated: -	Data type: Unsigned8
	Can be changed: -	Scaling: -	Dyn. index: -
	Units group: -	Unit selection: -	Func. diagram: -
	Min	Max	Factory setting
	-	-	-

Description: Display and binector output for the state display PROFIenergy energy saving active or inactive.

Bit field:	Bit	Signal name	1 signal	0 signal	FP
	00	Pe active	Yes	No	-
	01	Pe inactive	Yes	No	-

Note: Bit 0 and bit 1 are inverse of one another.
Pe: PROFIenergy profiles

p5614 BI: Pe set switch-on inhibit signal source / Pe sw on_inh s_src

G120C_PN	Access level: 3	Calculated: -	Data type: U32 / Binary
	Can be changed: T	Scaling: -	Dyn. index: -
	Units group: -	Unit selection: -	Func. diagram: -
	Min	Max	Factory setting
	-	-	0

Description: Sets the signal source to set in the PROFIdrive state S1 "switching-on inhibit".

Dependency: Refer to: r5613

Note: Pe: PROFIenergy profiles

r7758[0...19] KHP Control Unit serial number / KHP CU ser_no

	Access level: 3	Calculated: -	Data type: Unsigned8
	Can be changed: -	Scaling: -	Dyn. index: -
	Units group: -	Unit selection: -	Func. diagram: -
	Min	Max	Factory setting
	-	-	-

Description: Displays the actual serial number of the Control Unit.
The individual characters of the serial number are displayed in the ASCII code in the indices.
For the commissioning software, the ASCII characters are displayed uncoded.

Dependency: Refer to: p7765, p7766, p7767, p7768

Notice: An ASCII table (excerpt) can be found, for example, in the appendix to the List Manual.

Note: KHP: Know-How Protection

p7759[0...19] KHP Control Unit reference serial number / KHP CU ref ser_no

	Access level: 3	Calculated: -	Data type: Unsigned8
	Can be changed: T	Scaling: -	Dyn. index: -
	Units group: -	Unit selection: -	Func. diagram: -
	Min	Max	Factory setting
	-	-	-

Description: Sets the reference serial number for the Control Unit.
Using this parameter, if a Control Unit and/or a memory card is replaced at the end customer, the OEM can again adapt the project to the modified hardware.

Dependency: Refer to: p7765, p7766, p7767, p7768

2 Parameters

2.2 List of parameters

Note: KHP: Know-How Protection

- The OEM may only change this parameter for the use case "Sending encrypted SINAMICS data".
- SINAMICS only evaluates this parameter when powering up from the encrypted "Load into file system..." output or when powering up from the encrypted PS files. The evaluation is only made when know-how protection and memory card copy protection have been activated.

r7760	Write protection/know-how protection status / Wr_prot/KHP stat		
Access level: 3	Calculated: -	Data type: Unsigned16	
Can be changed: -	Scaling: -	Dyn. index: -	
Units group: -	Unit selection: -	Func. diagram: -	
Min	Max	Factory setting	
-	-	-	

Description: Displays the status for the write protection and know-how protection.

Bit field:	Bit	Signal name	1 signal	0 signal	FP
	00	Write protection active	Yes	No	-
	01	Know-how protection active	Yes	No	-
	02	Know-how protection temporarily withdrawn	Yes	No	-
	03	Know-how protection cannot be deactivated	Yes	No	-
	04	Extended copy protection is active	Yes	No	-
	05	Basic copy protection is active	Yes	No	-
	06	Trace and measuring functions for diagnostic purposes active	Yes	No	-

Dependency: Refer to: p7761, p7765, p7766, p7767, p7768

Note: KHP: Know-How Protection

Re bit 00:
Write protection can be activated/deactivated via p7761 on the Control Unit.

Re bit 01:
The know-how protection can be activated by entering a password (p7766 ... p7768).

Re bit 02:
If it has already been activated, know-how protection can be temporarily deactivated by entering the valid password in p7766. In this case, bit 1 = 0 and bit 2 = 1 offset.

Re bit 03:
Know-how protection cannot be deactivated, as p7766 is not entered in the OEM exception list (only the factory setting is possible). This bit is only set if know-how protection is active (bit 1 = 1) and p7766 has not been entered in the OEM exception list.

Re bit 04:
When know-how protection has been activated, the contents of the memory card (parameter and DCC data) can be additionally protected against being used with other memory cards/Control Units. This bit is only set if know-how protection is active and p7765 bit 00 is set.

Re bit 05:
When know-how protection has been activated, the contents of the memory card (parameter and DCC data) can be additionally protected against being used with other memory cards. This bit is only set if know-how protection is active and in p7765 bit 01 is set and not bit 00.

Re bit 06:
When know-how protection is activated, the drive data can be traced using the device trace function. This bit is only set if know-how protection is active and in p7765.2 is set.

p7761	Write protection / Write protection		
Access level: 3	Calculated: -	Data type: Integer16	
Can be changed: U, T	Scaling: -	Dyn. index: -	
Units group: -	Unit selection: -	Func. diagram: -	
Min	Max	Factory setting	
0	1	0	

Description: Setting for activating/de-activating the write protection for adjustable parameters.

Value: 0: Deactivate write protection
1: Activate write protection

Dependency: Refer to: r7760

Note: Parameters with the "WRITE_NO_LOCK" attributes are excluded from the write protection.
A product-specific list of these parameters is also available in the corresponding List Manual.

p7762	Write protection multi-master fieldbus system access behavior / Fieldbus acc_behav		
	Access level: 3	Calculated: -	Data type: Integer16
	Can be changed: U, T	Scaling: -	Dyn. index: -
	Units group: -	Unit selection: -	Func. diagram: -
	Min	Max	Factory setting
	0	1	0
Description:	Sets the behavior for write protection when accessing via multi-master fieldbus systems (e.g. CAN, BACnet).		
Value:	0: Write access independent of p7761 1: Write access dependent on p7761		
Dependency:	Refer to: r7760, p7761		
p7763	KHP OEM exception list number of indices for p7764 / KHP OEM qty p7764		
	Access level: 3	Calculated: -	Data type: Unsigned16
	Can be changed: U, T	Scaling: -	Dyn. index: -
	Units group: -	Unit selection: -	Func. diagram: -
	Min	Max	Factory setting
	1	500	1
Description:	Sets the number of parameters for the OEM exception list (p7764[0...n]). p7764[0...n], with n = p7763 - 1		
Dependency:	Refer to: p7764		
Note:	KHP: Know-How Protection Even if know-how protection is set, parameters in this list can be read and written to.		
p7764[0...n]	KHP OEM exception list / KHP OEM excep list		
	Access level: 3	Calculated: -	Data type: Unsigned16
	Can be changed: U, T	Scaling: -	Dyn. index: p7763
	Units group: -	Unit selection: -	Func. diagram: -
	Min	Max	Factory setting
	0	65535	[0] 7766 [1...499] 0
Description:	OEM exception list (p7764[0...n]) for setting parameters that should be excluded from know-how protection. p7764[0...n], with n = p7763 - 1		
Dependency:	The number of indices depends on p7763. Refer to: p7763		
Note:	KHP: Know-How Protection Even if know-how protection is set, parameters in this list can be read and written to.		
p7765	KHP configuration / KHP config		
	Access level: 3	Calculated: -	Data type: Unsigned16
	Can be changed: U, T	Scaling: -	Dyn. index: -
	Units group: -	Unit selection: -	Func. diagram: -
	Min	Max	Factory setting
	-	-	0000 bin
Description:	Configuration settings for know-how protection. Re bit 00, 01: When KHP is activated, this means that the OEM can define whether the parameters and DCC data encrypted on the memory card should be protected before using on other memory cards/Control Units. Re bit 02: This means that the OEM can define whether it is possible or not to trace the drive data using the device trace function although KHP is activated.		

2 Parameters

2.2 List of parameters

Bit field:	Bit	Signal name	1 signal	0 signal	FP
	00	Extended copy protection - linked to the memory card and CU	Yes	No	-
	01	Basic copy protection - linked to the memory card	Yes	No	-
	02	Permit trace and measuring functions for diagnostic purposes	Yes	No	-

Dependency: Refer to: p7766, p7767, p7768

Note: KHP: Know-How Protection

For copy protection, the serial numbers of the memory card and/or Control Unit are checked. The memory card copy protection and preventing data to be traced are only effective when the know-how protection has been activated.

Re bit 00, 01:
If both bits are inadvertently set to 1 (e.g. at the BOP), then the setting of bit 0 applies. There is no copy protection if both bits are set to 0.

p7766[0...29]	KHP password input / KHP passw input		
	Access level: 3	Calculated: -	Data type: Unsigned16
	Can be changed: U, T	Scaling: -	Dyn. index: -
	Units group: -	Unit selection: -	Func. diagram: -
	Min	Max	Factory setting
	-	-	-
Description:	Sets the password for know-how protection. Example of a password: 123aBc = 49 50 51 97 66 99 dec (ASCII characters) [0] = character 1 (e.g. 49 dec) [1] = character 2 (e.g. 50 dec) ... [5] = character 6 (e.g. 99 dec) [29] = 0 dec (completes the entry)		
Dependency:	Refer to: p7767, p7768		
Notice:	An ASCII table (excerpt) can be found, for example, in the appendix to the List Manual. When using the STARTER commissioning software, the password should be entered using the associated dialogs. The following rules apply when entering the password: - Password entry must start with p7766[0]. - No gaps are permissible in the password. - Entering a password is completed when writing to p7766[29] (p7766[29] = 0 for passwords less than 30 characters).		
Note:	KHP: Know-How Protection When reading, p7766[0...29] = 42 dec (ASCII character = "***") is displayed. Parameters with the "KHP_WRITE_NO_LOCK" attribute are not involved in the know-how protection. Parameters with the "KHP_ACTIVE_READ" attribute can be read even when know-how protection is activated. A product-specific list of these parameters is also available in the corresponding List Manual.		

p7767[0...29]	KHP password new / KHP passw new		
	Access level: 3	Calculated: -	Data type: Unsigned16
	Can be changed: U, T	Scaling: -	Dyn. index: -
	Units group: -	Unit selection: -	Func. diagram: -
	Min	Max	Factory setting
	-	-	-
Description:	Sets the new password for know-how protection.		
Dependency:	Refer to: p7766, p7768		
Note:	KHP: Know-How Protection When reading, p7767[0...29] = 42 dec (ASCII character = "***") is displayed.		

p7768[0...29]	KHP password confirmation / KHP passw confirm		
	Access level: 3	Calculated: -	Data type: Unsigned16
	Can be changed: U, T	Scaling: -	Dyn. index: -
	Units group: -	Unit selection: -	Func. diagram: -
	Min	Max	Factory setting
	-	-	-
Description:	Confirms the new password for know-how protection.		
Dependency:	Refer to: p7766, p7767		
Note:	KHP: Know-How Protection When reading, p7768[0...29] = 42 dec (ASCII character = "**") is displayed.		
p7769[0...20]	KHP memory card reference serial number / KHP mem ref ser_no		
	Access level: 3	Calculated: -	Data type: Unsigned8
	Can be changed: T	Scaling: -	Dyn. index: -
	Units group: -	Unit selection: -	Func. diagram: -
	Min	Max	Factory setting
	-	-	-
Description:	Sets the reference serial number for the memory card. Using this parameter, if a Control Unit and/or a memory card is replaced at the end customer, the OEM can again adapt the project to the modified hardware.		
Dependency:	Refer to: p7765, p7766, p7767, p7768		
Note:	KHP: Know-How Protection - The OEM may only change this parameter for the use case "Sending encrypted SINAMICS data". - SINAMICS only evaluates this parameter when powering up from the encrypted "Load into file system..." output or when powering up from the encrypted PS files. The evaluation is only made when know-how protection and memory card copy protection have been activated.		
p7775	NVRAM data backup/import/delete / NVRAM backup		
	Access level: 3	Calculated: -	Data type: Integer16
	Can be changed: C, U, T	Scaling: -	Dyn. index: -
	Units group: -	Unit selection: -	Func. diagram: -
	Min	Max	Factory setting
	0	17	0
Description:	Setting to backup/import/delete NVRAM data. NVRAM data are non-volatile data in the device (e.g. fault buffer). For NVRAM data actions, the following data are excluded: - Crash diagnostics - CU operating hours counter - CU temperature - Safety logbook		
Value:	0: Inactive 1: NVRAM data backup to memory card 2: Import NVRAM data from the memory card 3: Delete NVRAM data in the device 10: Error when clearing 11: Error when backing up, memory card not available 12: Error when backing up, insufficient memory space 13: Error when backing up 14: Error when importing, memory card not available 15: Error when importing, checksum error 16: Error when importing, no NVRAM data available 17: Error when importing		
Notice:	Re value = 2, 3: These actions are only possible when pulses are inhibited.		

2 Parameters

2.2 List of parameters

Note: After the action has been successfully completed, the parameter is automatically set to zero.
The actions importing and deleting NVRAM data immediately initiate a warm restart.
If the procedure was not successfully completed, then an appropriate fault value is displayed (p7775 >= 10).

r7843[0...20]	Memory card serial number / Mem_card ser.no		
Access level: 1	Calculated: -	Data type: Unsigned8	
Can be changed: -	Scaling: -	Dyn. index: -	
Units group: -	Unit selection: -	Func. diagram: -	
Min	Max	Factory setting	
-	-	-	

Description: Displays the actual serial number of the memory card.
The individual characters of the serial number are displayed in the ASCII code in the indices.

Notice: An ASCII table (excerpt) can be found, for example, in the appendix to the List Manual.

Note: Example: displaying the serial number for a memory card:
r7843[0] = 49 dec --> ASCII characters = "1" --> serial number, character 1
r7843[1] = 49 dec --> ASCII characters = "1" --> serial number, character 2
r7843[2] = 49 dec --> ASCII characters = "1" --> serial number, character 3
r7843[3] = 57 dec --> ASCII characters = "9" --> serial number, character 4
r7843[4] = 50 dec --> ASCII characters = "2" --> serial number, character 5
r7843[5] = 51 dec --> ASCII characters = "3" --> serial number, character 6
r7843[6] = 69 dec --> ASCII characters = "E" --> serial number, character 7
r7843[7] = 0 dec --> ASCII characters = " " --> serial number, character 8
...
r7843[19] = 0 dec --> ASCII characters = " " --> serial number, character 20
r7843[20] = 0 dec
Serial number = 111923E

r8570[0...39]	Macro drive object / Macro DO		
Access level: 1	Calculated: -	Data type: Unsigned32	
Can be changed: -	Scaling: -	Dyn. index: -	
Units group: -	Unit selection: -	Func. diagram: -	
Min	Max	Factory setting	
-	-	-	

Description: Displays the macro file saved in the appropriate directory on the memory card/device memory.

Dependency: Refer to: p0015

Note: For a value = 9999999, the following applies: The read operation is still running.

r8600	CAN device type / Device type		
G120C_CAN	Access level: 3	Calculated: -	Data type: Unsigned32
	Can be changed: -	Scaling: -	Dyn. index: -
	Units group: -	Unit selection: -	Func. diagram: -
	Min	Max	Factory setting
	-	-	-

Description: Displays all of the devices connected to the CAN bus after run-up.

r8600
= 00000000 hex: No drive recognized.
= 02010192 hex: 1 Vector drive

Note: Corresponds to the CANopen object 1000 hex.
For each detected drive, the device type is displayed in object 67FF hex.

r8601	CAN error register / Error register		
G120C_CAN	Access level: 3	Calculated: -	Data type: Unsigned8
	Can be changed: -	Scaling: -	Dyn. index: -
	Units group: -	Unit selection: -	Func. diagram: -
	Min	Max	Factory setting
	-	-	-
Description:	<p>Displays the error register for CANopen.</p> <p>Bit 0: Generic error.</p> <p>0 signal: No error present.</p> <p>1 signal: Generic error present.</p> <p>Bit 1 ... 3: Not supported (always a 0 signal).</p> <p>Bit 4: Communications error.</p> <p>0 signal: There is no message in the range 8700 ... 8799.</p> <p>1 signal: There is at least one message (fault or alarm) in the range 8700 ... 8799.</p> <p>Bit 5 ... 6: Not supported (always a 0 signal).</p> <p>Bit 7:; Fault outside the range 8700 ... 8799.</p> <p>0 signal: There is no fault outside the range 8700 ... 8799.</p> <p>1 signal: There is at least one fault outside the range 8700 ... 8799.</p>		
Note:	Corresponds to the CANopen object 1001 hex.		
p8602	CAN SYNC object / SYNC object		
G120C_CAN	Access level: 3	Calculated: -	Data type: Unsigned32
	Can be changed: T	Scaling: -	Dyn. index: -
	Units group: -	Unit selection: -	Func. diagram: -
	Min	Max	Factory setting
	0000 hex	FFFF FFFF hex	0080 hex
Description:	<p>Sets the SYNC object parameter for the following CANopen objects:</p> <p>- 1005 hex: COB-ID</p>		
Note:	<p>SINAMICS operates as SYNC load.</p> <p>COB-ID: CAN object identification</p>		
p8603	CAN COB-ID Emergency Message / COB-ID EMCY Msg		
G120C_CAN	Access level: 3	Calculated: -	Data type: Unsigned32
	Can be changed: T	Scaling: -	Dyn. index: -
	Units group: -	Unit selection: -	Func. diagram: -
	Min	Max	Factory setting
	0000 hex	FFFF FFFF hex	0000 hex
Description:	<p>Sets the COB-ID for the emergency message (error telegram).</p> <p>It corresponds to the CANopen objects:</p> <p>- 1014 hex: COB-ID</p>		
Note:	<p>If, when downloading, the pre-set value 0 is downloaded, then the CANopen pre-set value 80 hex + Node-ID is automatically set.</p> <p>Online, the value 0 is rejected as, according to the CANopen Standard, COB-ID 0 is not permitted here.</p> <p>The changeover of the node ID using the hardware switch at the Control Unit or per software has no effect on the COB-ID EMCY. The saved value remains effective.</p>		

p8604[0...1]	CAN life guarding / Life guarding		
G120C_CAN	Access level: 3	Calculated: -	Data type: Unsigned16
	Can be changed: T	Scaling: -	Dyn. index: -
	Units group: -	Unit selection: -	Func. diagram: -
	Min	Max	Factory setting
	0	65535	0
Description:	Sets the life guarding parameter for the following CANopen objects: - 100C hex: Guard Time - 100D hex: Life Time Factor The life time is derived by multiplying guard time by the life time factor.		
Index:	[0] = Time interval [ms] for the life time [1] = Factor for the lifetime		
Dependency:	Refer to: p8606		
Note:	For p8604[0] = 0 and/or p8604[1] = 0, the life guarding event service (monitoring the node guarding, fault F08700 with fault value = 2) is deactivated. The node guarding protocol is active without the life guarding event service, if the heartbeat protocol is deactivated (p8606 = 0).		
p8606	CAN Producer Heartbeat Time / Prod Heartb Time		
G120C_CAN	Access level: 3	Calculated: -	Data type: Unsigned16
	Can be changed: T	Scaling: -	Dyn. index: -
	Units group: -	Unit selection: -	Func. diagram: -
	Min	Max	Factory setting
	0 [ms]	65535 [ms]	0 [ms]
Description:	Sets the time [ms] to cyclically send heartbeat telegrams. The smallest cycle is 100 ms. For p8606 = 0, heartbeat telegrams are not sent.		
Dependency:	Refer to: p8604		
Note:	Corresponds to the CANopen object 1017 hex. Activating the heartbeat protocol automatically deactivates the node guarding.		
r8607[0...3]	CAN Identity Object / Identity object		
G120C_CAN	Access level: 3	Calculated: -	Data type: Unsigned32
	Can be changed: -	Scaling: -	Dyn. index: -
	Units group: -	Unit selection: -	Func. diagram: -
	Min	Max	Factory setting
	-	-	-
Description:	General device information display.		
Index:	[0] = Vendor ID [1] = Product code [2] = Revision number [3] = Serial number		
Note:	Corresponds to the CANopen object 1018 hex. Re index 3: The SINAMICS serial number comprises 60 bits. Of these bits, the following are displayed in this index: Bits 0 ... 19: Consecutive number Bits 20 ... 23: Production ID - 0 hex: Development - 1 hex: P1 unique number - 2 hex: P2 unique number - 3 hex: WA unique number - 9 hex: Pattern - F hex: All others		

Bits 24 ... 27: Month of manufacture (0 means January, B means December)

Bits 28 ... 31: Year of manufacture (0 means 2002)

p8608[0...1]	CAN Clear Bus Off Error / Clear bus off err		
G120C_CAN	Access level: 3	Calculated: -	Data type: Integer16
	Can be changed: U, T	Scaling: -	Dyn. index: -
	Units group: -	Unit selection: -	Func. diagram: -
	Min	Max	Factory setting
	0	1	0
Description:	As a result of a Bus Off error, the CAN controller is set into the initialization state. Index 0: The CAN controller is manually started after resolving the cause of the error with p8608[0] = 1. Index 1: The automatic CAN bus start function is activated using p8608[1] = 1. At 2 second intervals, the CAN controller is automatically restarted until the cause of the error has been resolved and a CAN connection has been established.		
Value:	0: Inactive 1: Start CAN controller		
Index:	[0] = Manual controller start function [1] = Activating the automatic controller start function		
Note:	Re index 0: This parameter is automatically reset to 0 after start.		

p8609[0...1]	CAN Error Behavior / Error behavior		
G120C_CAN	Access level: 3	Calculated: -	Data type: Integer16
	Can be changed: T	Scaling: -	Dyn. index: -
	Units group: -	Unit selection: -	Func. diagram: -
	Min	Max	Factory setting
	0	2	1
Description:	Sets the behavior of the CAN node referred to the communications error or equipment fault.		
Value:	0: Pre-operational 1: No change 2: Stopped		
Index:	[0] = Behavior for communication errors [1] = Behavior for device faults		
Note:	Corresponds to the CANopen object 1029 hex.		

r8610[0...1]	CAN First Server SDO / First server SDO		
G120C_CAN	Access level: 3	Calculated: -	Data type: Unsigned32
	Can be changed: -	Scaling: -	Dyn. index: -
	Units group: -	Unit selection: -	Func. diagram: -
	Min	Max	Factory setting
	-	-	-
Description:	Displays the identifier (client/server and server/client) of the SDO channel.		
Index:	[0] = COB-ID from the client to the server [1] = COB-ID from the server to the client		
Note:	Corresponds to the CANopen object 1200 hex. SDO: Service Data Object		

p8611[0...82]	CAN Pre-defined Error Field / Pre_def err field		
G120C_CAN	Access level: 3	Calculated: -	Data type: Unsigned32
	Can be changed: U, T	Scaling: -	Dyn. index: -
	Units group: -	Unit selection: -	Func. diagram: -
	Min	Max	Factory setting
	0000 hex	FFFF 1000 hex	0000 hex
Description:	<p>Displays the Pre-defined Error Field of the CAN node.</p> <p>It includes the number of all errors that have occurred, the number of errors that have occurred for each drive and the errors according to their history.</p> <p>The first 16 bits represent the CANopen error code and the second 16 bits the SINAMICS error code.</p> <p>Index 1 has the same structure - however, the drive object ID is in the second 16 bits instead of the SINAMICS error code.</p> <p>CANopen error code:</p> <p>0000 hex: No error present.</p> <p>8110 hex: Alarm A08751 present.</p> <p>8120 hex: Alarm A08752 present.</p> <p>8130 hex: Alarm A08700(F) with alarm value = 2 present.</p> <p>1000 hex: Generic error 1 present (there is at least one fault outside the range 8700 ... 8799)</p> <p>1001 hex: Generic error 2 present (there is at least one alarm in the range 8700 ... 8799 with the exception of A08751, A08752, A08700)</p> <p>All drive objects are acknowledged by writing the value 0 to index 0. As soon as a fault has been acknowledged or an alarm cleared, then it is also cleared from the fault list.</p>		
Index:	<p>[0] = Number of all faults in the drive unit</p> <p>[1] = Most recent drive number / fault number</p> <p>[2] = Number of faults drive 1</p> <p>[3] = Fault 1/ drive 1</p> <p>[4] = Fault 2/ drive 1</p> <p>[5] = Fault 3/ drive 1</p> <p>[6] = Fault 4/ drive 1</p> <p>[7] = Fault 5/ drive 1</p> <p>[8] = Fault 6/ drive 1</p>		
Note:	Corresponds to the CANopen object 1003 hex.		
p8620	CAN Node-ID / Node ID		
G120C_CAN	Access level: 2	Calculated: -	Data type: Unsigned8
	Can be changed: T	Scaling: -	Dyn. index: -
	Units group: -	Unit selection: -	Func. diagram: -
	Min	Max	Factory setting
	1	127	126
Description:	<p>Display or setting of the CANopen Node ID.</p> <p>The Node ID can be set as follows:</p> <p>1) Using the address switch on the Control Unit.</p> <p>--> p8620 can then only be read and displays the selected Node ID.</p> <p>--> A change only becomes effective after a POWER ON.</p> <p>--> CANopen Node ID and PROFIBUS address are identical.</p> <p>2) Using p8620</p> <p>--> Only if address 0 is set using the address switch.</p> <p>--> the Node ID is set as standard to 126.</p> <p>--> A change only becomes effective after save and POWER ON.</p>		
Dependency:	Refer to: r8621		
Notice:	<p>For p0014 = 1, the following applies:</p> <p>After the value has been modified, no further parameter modifications can be made and the status is shown in r3996. Modifications can be made again when r3996 = 0.</p>		

For p0014 = 0, the following applies:

Before a changed setting becomes permanently effective, a non-volatile RAM to ROM data save is required. To do this, set p0971 = 1 or p0014 = 1.

Note: Every node ID change only becomes effective after a POWER ON.

The active node ID is displayed in r8621.

The parameter is not influenced by setting the factory setting.

It is only possible to independently set CANopen node ID and the PROFIBUS address using p0918 and p8620 (prerequisite: the address 0 is set for the address switch).

r8621	CAN Node-ID active / Node ID active		
G120C_CAN	Access level: 3	Calculated: -	Data type: Unsigned8
	Can be changed: -	Scaling: -	Dyn. index: -
	Units group: -	Unit selection: -	Func. diagram: -
	Min	Max	Factory setting
	-	-	-
Description:	Displays the active CANopen Node ID.		
Dependency:	Refer to: p8620		

p8622	CAN bit rate / Bit rate		
G120C_CAN	Access level: 3	Calculated: -	Data type: Integer16
	Can be changed: T	Scaling: -	Dyn. index: -
	Units group: -	Unit selection: -	Func. diagram: -
	Min	Max	Factory setting
	0	7	6

Description: Setting the bit rate for the CAN bus.
The appropriate bit timings are selected that are defined in p8623 in the associated sub-index.

Example:

Bit rate = 20 kbit/s --> p8622 = 6 --> associated bit timing is in p8623[6].

Value:

0:	1 Mbit/s
1:	800 kbit/s
2:	500 kbit/s
3:	250 kbit/s
4:	125 kbit/s
5:	50 kbit/s
6:	20 kbit/s
7:	10 kbit/s

Dependency: Refer to: p8623

Notice: For p0014 = 1, the following applies:

After the value has been modified, no further parameter modifications can be made and the status is shown in r3996. Modifications can be made again when r3996 = 0.

For p0014 = 0, the following applies:

Before a changed setting becomes permanently effective, a non-volatile RAM to ROM data save is required. To do this, set p0971 = 1 or p0014 = 1.

Note: The parameter is not influenced by setting the factory setting.

p8623[0...7]	CAN Bit Timing selection / Bit timing select		
G120C_CAN	Access level: 3	Calculated: -	Data type: Unsigned32
	Can be changed: T	Scaling: -	Dyn. index: -
	Units group: -	Unit selection: -	Func. diagram: -
	Min	Max	Factory setting
	0000 hex	000F 7FFF hex	[0] 1405 hex [1] 1605 hex [2] 1C05 hex [3] 1C0B hex [4] 1C17 hex [5] 1C3B hex [6] 0002 1C15 hex [7] 0004 1C2B hex
Description:	Sets the bit timing for the C_CAN controller to the associated and selected bit rate (p8622). Bits are distributed to the following parameters of the C_CAN controller in p8623[0...7]: Bit 0 ... 5: BRP (Baud Rate Prescaler) Bit 6 ... 7: SJW (Synchronization Jump Width) Bit 8 ... 11: TSEG1 (Time Segment 1, before the sampling point) Bit 12 ... 14: TSEG2 (Time Segment 2, after the sampling point) Bit 15: Reserved Bit 16 ... 19: BRPE (Baud Rate Prescaler Extension) Bit 20 ... 31: Reserved Example: Bit rate = 20 kbit/s --> p8622 = 6 --> associated bit timing is in p8623[6] --> 0001 2FB6		
Recommend.:	Use the factory setting when setting the bit timing.		
Index:	[0] = 1 Mbit/s [1] = 800 kbit/s [2] = 500 kbit/s [3] = 250 kbit/s [4] = 125 kbit/s [5] = 50 kbit/s [6] = 20 kbit/s [7] = 10 kbit/s		
Dependency:	Refer to: p8622		
Note:	The parameter is not influenced by setting the factory setting.		

p8630[0...2]	CAN virtual objects / Virtual objects		
G120C_CAN	Access level: 3	Calculated: -	Data type: Unsigned16
	Can be changed: U, T	Scaling: -	Dyn. index: -
	Units group: -	Unit selection: -	Func. diagram: -
	Min	Max	Factory setting
	0	65535	0
Description:	Activating access to parameters via manufacturer-specific CANopen objects and setting for the subindex area (index 1) and the parameter area (index 2) when using virtual objects. This means that it is possible to access all SINAMICS parameters via CAN. Index 0: 0: Not possible to access virtual CANopen objects 1: Possible to access virtual CANopen objects Index 1 (sub-index area): 0: 0 ... 255 1: 256 ... 511 2: 512 ... 767 3: 768 ... 1023		

Index 2 (parameter area):

0: 1 ... 9999
 1: 10000 ... 19999
 2: 20000 ... 29999
 3: 30000 ... 39999

Index: [0] = Drive object number
 [1] = Sub-index range
 [2] = Parameter range

p8641 CAN Abort Connection Option Code / Abort con opt code

G120C_CAN	Access level: 3	Calculated: -	Data type: Integer16
	Can be changed: T	Scaling: -	Dyn. index: -
	Units group: -	Unit selection: -	Func. diagram: -
	Min	Max	Factory setting
	0	3	3

Description: Sets the drive behavior if a CAN communication error occurs.

Value: 0: No response
 1: OFF1
 2: OFF2
 3: OFF3

r8680[0...36] CAN Diagnosis Hardware / Diagnostics HW

G120C_CAN	Access level: 3	Calculated: -	Data type: Unsigned16
	Can be changed: -	Scaling: -	Dyn. index: -
	Units group: -	Unit selection: -	Func. diagram: -
	Min	Max	Factory setting
	-	-	-

Description: Displays the register of the CAN controller C_CAN:

Register, Message Interface Register and Message Handler Register - referred to the CAN protocol.

Index: [0] = Control register
 [1] = Status register
 [2] = Error counter
 [3] = Bit timing register
 [4] = Interrupt register
 [5] = Test register
 [6] = Baud rate prescaler extension register
 [7] = Interface 1 command request register
 [8] = Interface 1 command mask register

Note: A description of the individual registers of the C_CAN controller can be taken from "C_CAN User's Manual".

p8684 CAN NMT state after booting / NMT state aft boot

G120C_CAN	Access level: 3	Calculated: -	Data type: Integer16
	Can be changed: T	Scaling: -	Dyn. index: -
	Units group: -	Unit selection: -	Func. diagram: -
	Min	Max	Factory setting
	4	127	127

Description: Sets the CANopen NMT state that is effective after booting.

Value: 4: Stopped
 5: Operational
 127: Pre-operational

Dependency: Refer to: p8685

Note: Booting in the NMT state pre-operational corresponds to the CANopen standard

p8685	CAN NMT states / NMT states		
G120C_CAN	Access level: 3	Calculated: -	Data type: Integer16
	Can be changed: U, T	Scaling: -	Dyn. index: -
	Units group: -	Unit selection: -	Func. diagram: -
	Min	Max	Factory setting
	0	129	127
Description:	Sets and displays the CANopen NMT state.		
Value:	0: Initialization 4: Stopped 5: Operational 127: Pre-operational 128: Reset node 129: Reset Communication		
Note:	The value 0 (initialization) is only displayed and cannot be set.		

p8699	CAN: RPDO monitoring time / RPDO t_monit		
G120C_CAN	Access level: 3	Calculated: -	Data type: FloatingPoint32
	Can be changed: U, T	Scaling: -	Dyn. index: -
	Units group: -	Unit selection: -	Func. diagram: -
	Min	Max	Factory setting
	0 [ms]	65535000 [ms]	0 [ms]
Description:	Sets the monitoring time for the process data received via the CAN bus. A value that is not a multiple integer of the CANopen sampling time is rounded-off. If no process data is received within this time, then fault F08702 is output.		
Note:	Value = 0: Monitoring is de-activated. p2048: CANopen sampling time		

p8700[0...1]	CAN Receive PDO 1 / Receive PDO 1		
G120C_CAN	Access level: 3	Calculated: -	Data type: Unsigned32
	Can be changed: C(3), T	Scaling: -	Dyn. index: -
	Units group: -	Unit selection: -	Func. diagram: 9204, 9206
	Min	Max	Factory setting
	0000 hex	8000 06DF hex	[0] 8000 06DF hex [1] 00FE hex
Description:	Sets the communication parameters for CANopen Receive Process Data Object 1 (RPDO 1).		
Index:	[0] = PDO COB-ID [1] = PDO transmission type		
Dependency:	A valid COB-ID can only be set for the available (existing) channel.		
Note:	Corresponds to the CANopen object 1400 hex. Transmission types 0, 1, FE and FF can be set. PDO: Process Data Object		

p8701[0...1]	CAN Receive PDO 2 / Receive PDO 2		
G120C_CAN	Access level: 3	Calculated: -	Data type: Unsigned32
	Can be changed: C(3), T	Scaling: -	Dyn. index: -
	Units group: -	Unit selection: -	Func. diagram: 9204, 9206
	Min	Max	Factory setting
	0000 hex	8000 06DF hex	[0] 8000 06DF hex [1] 00FE hex
Description:	Sets the communication parameters for CANopen Receive Process Data Object 2 (RPDO 2).		
Index:	[0] = PDO COB-ID [1] = PDO transmission type		
Dependency:	A valid COB-ID can only be set for the available (existing) channel.		

Note: Corresponds to the CANopen object 1401 hex.
Transmission types 0, 1, FE and FF can be set.
PDO: Process Data Object

p8702[0...1]	CAN Receive PDO 3 / Receive PDO 3		
G120C_CAN	Access level: 3	Calculated: -	Data type: Unsigned32
	Can be changed: C(3), T	Scaling: -	Dyn. index: -
	Units group: -	Unit selection: -	Func. diagram: 9204, 9206
	Min	Max	Factory setting
	0000 hex	8000 06DF hex	[0] 8000 06DF hex [1] 00FE hex

Description: Sets the communication parameters for CANopen Receive Process Data Object 3 (RPDO 3).

Index: [0] = PDO COB-ID
[1] = PDO transmission type

Dependency: A valid COB-ID can only be set for the available (existing) channel.

Note: Corresponds to the CANopen object 1402 hex.
Transmission types 0, 1, FE and FF can be set.
PDO: Process Data Object

p8703[0...1]	CAN Receive PDO 4 / Receive PDO 4		
G120C_CAN	Access level: 3	Calculated: -	Data type: Unsigned32
	Can be changed: C(3), T	Scaling: -	Dyn. index: -
	Units group: -	Unit selection: -	Func. diagram: 9204, 9206
	Min	Max	Factory setting
	0000 hex	8000 06DF hex	[0] 8000 06DF hex [1] 00FE hex

Description: Sets the communication parameters for CANopen Receive Process Data Object 4 (RPDO 4).

Index: [0] = PDO COB-ID
[1] = PDO transmission type

Dependency: A valid COB-ID can only be set for the available (existing) channel.

Note: Corresponds to the CANopen object 1403 hex.
Transmission types 0, 1, FE and FF can be set.
PDO: Process Data Object

p8704[0...1]	CAN Receive PDO 5 / Receive PDO 5		
G120C_CAN	Access level: 3	Calculated: -	Data type: Unsigned32
	Can be changed: C(3), T	Scaling: -	Dyn. index: -
	Units group: -	Unit selection: -	Func. diagram: 9204
	Min	Max	Factory setting
	0000 hex	8000 06DF hex	[0] 8000 06DF hex [1] 00FE hex

Description: Sets the communication parameters for CANopen Receive Process Data Object 5 (RPDO 5).

Index: [0] = PDO COB-ID
[1] = PDO transmission type

Dependency: A valid COB-ID can only be set for the available (existing) channel.

Note: Corresponds to the CANopen object 1404 hex.
Transmission types 0, 1, FE and FF can be set.
PDO: Process Data Object

p8705[0...1] CAN Receive PDO 6 / Receive PDO 6			
G120C_CAN	Access level: 3	Calculated: -	Data type: Unsigned32
	Can be changed: C(3), T	Scaling: -	Dyn. index: -
	Units group: -	Unit selection: -	Func. diagram: 9204
	Min	Max	Factory setting
	0000 hex	8000 06DF hex	[0] 8000 06DF hex [1] 00FE hex
Description:	Sets the communication parameters for CANopen Receive Process Data Object 6 (RPDO 6).		
Index:	[0] = PDO COB-ID [1] = PDO transmission type		
Dependency:	A valid COB-ID can only be set for the available (existing) channel.		
Note:	Corresponds to the CANopen object 1405 hex. Transmission types 0, 1, FE and FF can be set. PDO: Process Data Object		
p8706[0...1] CAN Receive PDO 7 / Receive PDO 7			
G120C_CAN	Access level: 3	Calculated: -	Data type: Unsigned32
	Can be changed: C(3), T	Scaling: -	Dyn. index: -
	Units group: -	Unit selection: -	Func. diagram: 9204
	Min	Max	Factory setting
	0000 hex	8000 06DF hex	[0] 8000 06DF hex [1] 00FE hex
Description:	Sets the communication parameters for CANopen Receive Process Data Object 7 (RPDO 7).		
Index:	[0] = PDO COB-ID [1] = PDO transmission type		
Dependency:	A valid COB-ID can only be set for the available (existing) channel.		
Note:	Corresponds to the CANopen object 1406 hex. Transmission types 0, 1, FE and FF can be set. PDO: Process Data Object		
p8707[0...1] CAN Receive PDO 8 / Receive PDO 8			
G120C_CAN	Access level: 3	Calculated: -	Data type: Unsigned32
	Can be changed: C(3), T	Scaling: -	Dyn. index: -
	Units group: -	Unit selection: -	Func. diagram: 9204
	Min	Max	Factory setting
	0000 hex	8000 06DF hex	[0] 8000 06DF hex [1] 00FE hex
Description:	Sets the communication parameters for CANopen Receive Process Data Object 8 (RPDO 8).		
Index:	[0] = PDO COB-ID [1] = PDO transmission type		
Dependency:	A valid COB-ID can only be set for the available (existing) channel.		
Note:	Corresponds to the CANopen object 1407 hex. Transmission types 0, 1, FE and FF can be set. PDO: Process Data Object		
p8710[0...3] CAN Receive Mapping for RPDO 1 / Mapping RPDO 1			
G120C_CAN	Access level: 3	Calculated: -	Data type: Unsigned32
	Can be changed: C(3), T	Scaling: -	Dyn. index: -
	Units group: -	Unit selection: -	Func. diagram: 9204, 9206
	Min	Max	Factory setting
	0000 hex	FFFF FFFF hex	0000 hex
Description:	Sets the mapping parameters for CANopen Receive Process Data Object 1 (RPDO 1).		

Index: [0] = Mapped object 1
 [1] = Mapped object 2
 [2] = Mapped object 3
 [3] = Mapped object 4

Note: Corresponds to the CANopen object 1600 hex.
 Dummy mapping not supported.
 The parameter can only be written online when the associated COB ID in p870x is set as invalid.

p8711[0...3] CAN Receive Mapping for RPDO 2 / Mapping RPDO 2

G120C_CAN	Access level: 3	Calculated: -	Data type: Unsigned32
	Can be changed: C(3), T	Scaling: -	Dyn. index: -
	Units group: -	Unit selection: -	Func. diagram: 9204, 9206
	Min	Max	Factory setting
	0000 hex	FFFF FFFF hex	0000 hex

Description: Sets the mapping parameters for CANopen Receive Process Data Object 2 (RPDO 2).

Index: [0] = Mapped object 1
 [1] = Mapped object 2
 [2] = Mapped object 3
 [3] = Mapped object 4

Note: Corresponds to the CANopen object 1601 hex.
 Dummy mapping not supported.
 The parameter can only be written online when the associated COB ID in p870x is set as invalid.

p8712[0...3] CAN Receive Mapping for RPDO 3 / Mapping RPDO 3

G120C_CAN	Access level: 3	Calculated: -	Data type: Unsigned32
	Can be changed: C(3), T	Scaling: -	Dyn. index: -
	Units group: -	Unit selection: -	Func. diagram: 9204, 9206
	Min	Max	Factory setting
	0000 hex	FFFF FFFF hex	0000 hex

Description: Sets the mapping parameters for CANopen Receive Process Data Object 3 (RPDO 3).

Index: [0] = Mapped object 1
 [1] = Mapped object 2
 [2] = Mapped object 3
 [3] = Mapped object 4

Note: Corresponds to the CANopen object 1602 hex.
 Dummy mapping not supported.
 The parameter can only be written online when the associated COB ID in p870x is set as invalid.

p8713[0...3] CAN Receive Mapping for RPDO 4 / Mapping RPDO 4

G120C_CAN	Access level: 3	Calculated: -	Data type: Unsigned32
	Can be changed: C(3), T	Scaling: -	Dyn. index: -
	Units group: -	Unit selection: -	Func. diagram: 9204, 9206
	Min	Max	Factory setting
	0000 hex	FFFF FFFF hex	0000 hex

Description: Sets the mapping parameters for CANopen Receive Process Data Object 4 (RPDO 4).

Index: [0] = Mapped object 1
 [1] = Mapped object 2
 [2] = Mapped object 3
 [3] = Mapped object 4

Note: Corresponds to the CANopen object 1603 hex.
 Dummy mapping not supported.
 The parameter can only be written online when the associated COB ID in p870x is set as invalid.

p8714[0...3]	CAN Receive Mapping for RPDO 5 / Mapping RPDO 5		
G120C_CAN	Access level: 3	Calculated: -	Data type: Unsigned32
	Can be changed: C(3), T	Scaling: -	Dyn. index: -
	Units group: -	Unit selection: -	Func. diagram: 9204
	Min	Max	Factory setting
	0000 hex	FFFF FFFF hex	0000 hex
Description:	Sets the mapping parameters for CANopen Receive Process Data Object 5 (RPDO 5).		
Index:	[0] = Mapped object 1 [1] = Mapped object 2 [2] = Mapped object 3 [3] = Mapped object 4		
Note:	Corresponds to the CANopen object 1604 hex. Dummy mapping not supported. The parameter can only be written online when the associated COB ID in p870x is set as invalid.		

p8715[0...3]	CAN Receive Mapping for RPDO 6 / Mapping RPDO 6		
G120C_CAN	Access level: 3	Calculated: -	Data type: Unsigned32
	Can be changed: C(3), T	Scaling: -	Dyn. index: -
	Units group: -	Unit selection: -	Func. diagram: 9204
	Min	Max	Factory setting
	0000 hex	FFFF FFFF hex	0000 hex
Description:	Sets the mapping parameters for CANopen Receive Process Data Object 6 (RPDO 6).		
Index:	[0] = Mapped object 1 [1] = Mapped object 2 [2] = Mapped object 3 [3] = Mapped object 4		
Note:	Corresponds to the CANopen object 1605 hex. Dummy mapping not supported. The parameter can only be written online when the associated COB ID in p870x is set as invalid.		

p8716[0...3]	CAN Receive Mapping for RPDO 7 / Mapping RPDO 7		
G120C_CAN	Access level: 3	Calculated: -	Data type: Unsigned32
	Can be changed: C(3), T	Scaling: -	Dyn. index: -
	Units group: -	Unit selection: -	Func. diagram: 9204
	Min	Max	Factory setting
	0000 hex	FFFF FFFF hex	0000 hex
Description:	Sets the mapping parameters for CANopen Receive Process Data Object 7 (RPDO 7).		
Index:	[0] = Mapped object 1 [1] = Mapped object 2 [2] = Mapped object 3 [3] = Mapped object 4		
Note:	Corresponds to the CANopen object 1606 hex. Dummy mapping not supported. The parameter can only be written online when the associated COB ID in p870x is set as invalid.		

p8717[0...3]	CAN Receive Mapping for RPDO 8 / Mapping RPDO 8		
G120C_CAN	Access level: 3	Calculated: -	Data type: Unsigned32
	Can be changed: C(3), T	Scaling: -	Dyn. index: -
	Units group: -	Unit selection: -	Func. diagram: 9204
	Min	Max	Factory setting
	0000 hex	FFFF FFFF hex	0000 hex
Description:	Sets the mapping parameters for CANopen Receive Process Data Object 8 (RPDO 8).		
Index:	[0] = Mapped object 1 [1] = Mapped object 2		

[2] = Mapped object 3

[3] = Mapped object 4

Note:

Corresponds to the CANopen object 1607 hex.

Dummy mapping not supported.

The parameter can only be written online when the associated COB ID in p870x is set as invalid.

p8720[0...4]**CAN Transmit PDO 1 / Transmit PDO 1**

G120C_CAN

Access level: 3**Calculated:** -**Data type:** Unsigned32**Can be changed:** C(3), T**Scaling:** -**Dyn. index:** -**Units group:** -**Unit selection:** -**Func. diagram:** 9208, 9210**Min****Max****Factory setting**

0000 hex

C000 06DF hex

[0] C000 06DF hex

[1] 00FE hex

[2] 0000 hex

[3] 0000 hex

[4] 0000 hex

Description:

Sets the communication parameters for CANopen Transmit Process Data Object 1 (TPDO 1).

Index:

[0] = PDO COB-ID

[1] = PDO transmission type

[2] = Inhibit time (in 100 µs)

[3] = Reserved

[4] = Event timer (in ms)

Dependency:

A valid COB-ID can only be set for the available (existing) channel.

Notice:

For inhibit time and event timer, the following apply:

A value that is not a multiple integer of the CANopen sampling time is rounded-off.

Note:

Corresponds to the CANopen object 1800 hex.

Transmission types 0, 1 ... F0, FE and FF can be set.

p2048: CANopen sampling time

PDO: Process Data Object

p8721[0...4]**CAN Transmit PDO 2 / Transmit PDO 2**

G120C_CAN

Access level: 3**Calculated:** -**Data type:** Unsigned32**Can be changed:** C(3), T**Scaling:** -**Dyn. index:** -**Units group:** -**Unit selection:** -**Func. diagram:** 9208, 9210**Min****Max****Factory setting**

0000 hex

C000 06DF hex

[0] C000 06DF hex

[1] 00FE hex

[2] 0000 hex

[3] 0000 hex

[4] 0000 hex

Description:

Sets the communication parameters for CANopen Transmit Process Data Object 2 (TPDO 2).

Index:

[0] = PDO COB-ID

[1] = PDO transmission type

[2] = Inhibit time (in 100 µs)

[3] = Reserved

[4] = Event timer (in ms)

Dependency:

A valid COB-ID can only be set for the available (existing) channel.

Notice:

For inhibit time and event timer, the following apply:

A value that is not a multiple integer of the CANopen sampling time is rounded-off.

Note:

Corresponds to the CANopen object 1801 hex.

Transmission types 0, 1 ... F0, FE and FF can be set.

p2048: CANopen sampling time

PDO: Process Data Object

p8722[0...4]	CAN Transmit PDO 3 / Transmit PDO 3		
G120C_CAN	Access level: 3	Calculated: -	Data type: Unsigned32
	Can be changed: C(3), T	Scaling: -	Dyn. index: -
	Units group: -	Unit selection: -	Func. diagram: 9208, 9210
	Min	Max	Factory setting
	0000 hex	C000 06DF hex	[0] C000 06DF hex [1] 00FE hex [2] 0000 hex [3] 0000 hex [4] 0000 hex
Description:	Sets the communication parameters for CANopen Transmit Process Data Object 3 (TPDO 3).		
Index:	[0] = PDO COB-ID [1] = PDO transmission type [2] = Inhibit time (in 100 µs) [3] = Reserved [4] = Event timer (in ms)		
Dependency:	A valid COB-ID can only be set for the available (existing) channel.		
Notice:	For inhibit time and event timer, the following apply: A value that is not a multiple integer of the CANopen sampling time is rounded-off.		
Note:	Corresponds to the CANopen object 1802 hex. Transmission types 0, 1 ... F0, FE and FF can be set. p2048: CANopen sampling time PDO: Process Data Object		

p8723[0...4]	CAN Transmit PDO 4 / Transmit PDO 4		
G120C_CAN	Access level: 3	Calculated: -	Data type: Unsigned32
	Can be changed: C(3), T	Scaling: -	Dyn. index: -
	Units group: -	Unit selection: -	Func. diagram: 9208, 9210
	Min	Max	Factory setting
	0000 hex	C000 06DF hex	[0] C000 06DF hex [1] 00FE hex [2] 0000 hex [3] 0000 hex [4] 0000 hex
Description:	Sets the communication parameters for CANopen Transmit Process Data Object 4 (TPDO 4).		
Index:	[0] = PDO COB-ID [1] = PDO transmission type [2] = Inhibit time (in 100 µs) [3] = Reserved [4] = Event timer (in ms)		
Dependency:	A valid COB-ID can only be set for the available (existing) channel.		
Notice:	For inhibit time and event timer, the following apply: A value that is not a multiple integer of the CANopen sampling time is rounded-off.		
Note:	Corresponds to the CANopen object 1803 hex. Transmission types 0, 1 ... F0, FE and FF can be set. p2048: CANopen sampling time PDO: Process Data Object		

p8724[0...4]	CAN Transmit PDO 5 / Transmit PDO 5		
G120C_CAN	Access level: 3	Calculated: -	Data type: Unsigned32
	Can be changed: C(3), T	Scaling: -	Dyn. index: -
	Units group: -	Unit selection: -	Func. diagram: 9208
	Min	Max	Factory setting
	0000 hex	C000 06DF hex	[0] C000 06DF hex
			[1] 00FE hex
			[2] 0000 hex
			[3] 0000 hex
			[4] 0000 hex
Description:	Sets the communication parameters for CANopen Transmit Process Data Object 5 (TPDO 5).		
Index:	[0] = PDO COB-ID [1] = PDO transmission type [2] = Inhibit time (in 100 µs) [3] = Reserved [4] = Event timer (in ms)		
Dependency:	A valid COB-ID can only be set for the available (existing) channel.		
Notice:	For inhibit time and event timer, the following apply: A value that is not a multiple integer of the CANopen sampling time is rounded-off.		
Note:	Corresponds to the CANopen object 1804 hex. Transmission types 0, 1 ... F0, FE and FF can be set. p2048: CANopen sampling time PDO: Process Data Object		

p8725[0...4]	CAN Transmit PDO 6 / Transmit PDO 6		
G120C_CAN	Access level: 3	Calculated: -	Data type: Unsigned32
	Can be changed: C(3), T	Scaling: -	Dyn. index: -
	Units group: -	Unit selection: -	Func. diagram: 9208
	Min	Max	Factory setting
	0000 hex	C000 06DF hex	[0] C000 06DF hex
			[1] 00FE hex
			[2] 0000 hex
			[3] 0000 hex
			[4] 0000 hex
Description:	Sets the communication parameters for CANopen Transmit Process Data Object 6 (TPDO 6).		
Index:	[0] = PDO COB-ID [1] = PDO transmission type [2] = Inhibit time (in 100 µs) [3] = Reserved [4] = Event timer (in ms)		
Dependency:	A valid COB-ID can only be set for the available (existing) channel.		
Notice:	For inhibit time and event timer, the following apply: A value that is not a multiple integer of the CANopen sampling time is rounded-off.		
Note:	Corresponds to the CANopen object 1805 hex + 40 hex * x (x: Drive number 0 ... 7). Transmission types 0, 1 ... F0, FE and FF can be set. p8848: CANopen sampling time PDO: Process Data Object		

p8726[0...4]	CAN Transmit PDO 7 / Transmit PDO 7		
G120C_CAN	Access level: 3	Calculated: -	Data type: Unsigned32
	Can be changed: C(3), T	Scaling: -	Dyn. index: -
	Units group: -	Unit selection: -	Func. diagram: 9208
	Min	Max	Factory setting
	0000 hex	C000 06DF hex	[0] C000 06DF hex
			[1] 00FE hex
			[2] 0000 hex
			[3] 0000 hex
			[4] 0000 hex
Description:	Sets the communication parameters for CANopen Transmit Process Data Object 7 (TPDO 7).		
Index:	[0] = PDO COB-ID [1] = PDO transmission type [2] = Inhibit time (in 100 µs) [3] = Reserved [4] = Event timer (in ms)		
Dependency:	A valid COB-ID can only be set for the available (existing) channel.		
Notice:	For inhibit time and event timer, the following apply: A value that is not a multiple integer of the CANopen sampling time is rounded-off.		
Note:	Corresponds to the CANopen object 1806 hex + 40 hex * x (x: Drive number 0 ... 7). Transmission types 0, 1 ... F0, FE and FF can be set. p8848: CANopen sampling time PDO: Process Data Object		

p8727[0...4]	CAN Transmit PDO 8 / Transmit PDO 8		
G120C_CAN	Access level: 3	Calculated: -	Data type: Unsigned32
	Can be changed: C(3), T	Scaling: -	Dyn. index: -
	Units group: -	Unit selection: -	Func. diagram: 9208
	Min	Max	Factory setting
	0000 hex	C000 06DF hex	[0] C000 06DF hex
			[1] 00FE hex
			[2] 0000 hex
			[3] 0000 hex
			[4] 0000 hex
Description:	Sets the communication parameters for CANopen Transmit Process Data Object 8 (TPDO 8).		
Index:	[0] = PDO COB-ID [1] = PDO transmission type [2] = Inhibit time (in 100 µs) [3] = Reserved [4] = Event timer (in ms)		
Dependency:	A valid COB-ID can only be set for the available (existing) channel.		
Notice:	For inhibit time and event timer, the following apply: A value that is not a multiple integer of the CANopen sampling time is rounded-off.		
Note:	Corresponds to the CANopen object 1807 hex. Transmission types 0, 1 ... F0, FE and FF can be set. p2048: CANopen sampling time PDO: Process Data Object		

p8730[0...3]	CAN Transmit Mapping for TPDO 1 / Mapping TPDO 1		
G120C_CAN	Access level: 3	Calculated: -	Data type: Unsigned32
	Can be changed: C(3), T	Scaling: -	Dyn. index: -
	Units group: -	Unit selection: -	Func. diagram: 9208, 9210
	Min	Max	Factory setting
	0000 hex	FFFF FFFF hex	0000 hex
Description:	Sets the mapping parameters for CANopen Transmit Process Data Object 1 (TPDO 1).		
Index:	[0] = Mapped object 1 [1] = Mapped object 2 [2] = Mapped object 3 [3] = Mapped object 4		
Note:	Corresponds to the CANopen object 1A00 hex. The parameter can only be written online when the associated COB ID in p872x is set as invalid.		

p8731[0...3]	CAN Transmit Mapping for TPDO 2 / Mapping TPDO 2		
G120C_CAN	Access level: 3	Calculated: -	Data type: Unsigned32
	Can be changed: C(3), T	Scaling: -	Dyn. index: -
	Units group: -	Unit selection: -	Func. diagram: 9208, 9210
	Min	Max	Factory setting
	0000 hex	FFFF FFFF hex	0000 hex
Description:	Sets the mapping parameters for CANopen Transmit Process Data Object 2 (TPDO 2).		
Index:	[0] = Mapped object 1 [1] = Mapped object 2 [2] = Mapped object 3 [3] = Mapped object 4		
Note:	Corresponds to the CANopen object 1A01 hex. The parameter can only be written online when the associated COB ID in p872x is set as invalid.		

p8732[0...3]	CAN Transmit Mapping for TPDO 3 / Mapping TPDO 3		
G120C_CAN	Access level: 3	Calculated: -	Data type: Unsigned32
	Can be changed: C(3), T	Scaling: -	Dyn. index: -
	Units group: -	Unit selection: -	Func. diagram: 9208, 9210
	Min	Max	Factory setting
	0000 hex	FFFF FFFF hex	0000 hex
Description:	Sets the mapping parameters for CANopen Transmit Process Data Object 3 (TPDO 3).		
Index:	[0] = Mapped object 1 [1] = Mapped object 2 [2] = Mapped object 3 [3] = Mapped object 4		
Note:	Corresponds to the CANopen object 1A02 hex. The parameter can only be written online when the associated COB ID in p872x is set as invalid.		

p8733[0...3]	CAN Transmit Mapping for TPDO 4 / Mapping TPDO 4		
G120C_CAN	Access level: 3	Calculated: -	Data type: Unsigned32
	Can be changed: C(3), T	Scaling: -	Dyn. index: -
	Units group: -	Unit selection: -	Func. diagram: 9208, 9210
	Min	Max	Factory setting
	0000 hex	FFFF FFFF hex	0000 hex
Description:	Sets the mapping parameters for CANopen Transmit Process Data Object 4 (TPDO 4).		
Index:	[0] = Mapped object 1 [1] = Mapped object 2 [2] = Mapped object 3 [3] = Mapped object 4		

2 Parameters

2.2 List of parameters

Note: Corresponds to the CANopen object 1A03 hex.
The parameter can only be written online when the associated COB ID in p872x is set as invalid.

p8734[0...3]	CAN Transmit Mapping for TPDO 5 / Mapping TPDO 5		
G120C_CAN	Access level: 3	Calculated: -	Data type: Unsigned32
	Can be changed: C(3), T	Scaling: -	Dyn. index: -
	Units group: -	Unit selection: -	Func. diagram: 9208
	Min	Max	Factory setting
	0000 hex	FFFF FFFF hex	0000 hex
Description:	Sets the mapping parameters for CANopen Transmit Process Data Object 5 (TPDO 5).		
Index:	[0] = Mapped object 1 [1] = Mapped object 2 [2] = Mapped object 3 [3] = Mapped object 4		
Note:	Corresponds to the CANopen object 1A04 hex. The parameter can only be written online when the associated COB ID in p872x is set as invalid.		

p8735[0...3]	CAN Transmit Mapping for TPDO 6 / Mapping TPDO 6		
G120C_CAN	Access level: 3	Calculated: -	Data type: Unsigned32
	Can be changed: C(3), T	Scaling: -	Dyn. index: -
	Units group: -	Unit selection: -	Func. diagram: 9208
	Min	Max	Factory setting
	0000 hex	FFFF FFFF hex	0000 hex
Description:	Sets the mapping parameters for CANopen Transmit Process Data Object 6 (TPDO 6).		
Index:	[0] = Mapped object 1 [1] = Mapped object 2 [2] = Mapped object 3 [3] = Mapped object 4		
Note:	Corresponds to the CANopen object 1A05 hex. The parameter can only be written online when the associated COB ID in p872x is set as invalid.		

p8736[0...3]	CAN Transmit Mapping for TPDO 7 / Mapping TPDO 7		
G120C_CAN	Access level: 3	Calculated: -	Data type: Unsigned32
	Can be changed: C(3), T	Scaling: -	Dyn. index: -
	Units group: -	Unit selection: -	Func. diagram: 9208
	Min	Max	Factory setting
	0000 hex	FFFF FFFF hex	0000 hex
Description:	Sets the mapping parameters for CANopen Transmit Process Data Object 7 (TPDO 7).		
Index:	[0] = Mapped object 1 [1] = Mapped object 2 [2] = Mapped object 3 [3] = Mapped object 4		
Note:	Corresponds to the CANopen object 1A06 hex. The parameter can only be written online when the associated COB ID in p872x is set as invalid.		

p8737[0...3]	CAN Transmit Mapping for TPDO 8 / Mapping TPDO 8		
G120C_CAN	Access level: 3	Calculated: -	Data type: Unsigned32
	Can be changed: C(3), T	Scaling: -	Dyn. index: -
	Units group: -	Unit selection: -	Func. diagram: 9208
	Min	Max	Factory setting
	0000 hex	FFFF FFFF hex	0000 hex
Description:	Sets the mapping parameters for CANopen Transmit Process Data Object 8 (TPDO 8).		

Index: [0] = Mapped object 1
 [1] = Mapped object 2
 [2] = Mapped object 3
 [3] = Mapped object 4

Note: Corresponds to the CANopen object 1A07 hex.
 The parameter can only be written online when the associated COB ID in p872x is set as invalid.

p8744 CAN PDO mapping configuration / PDO Mapping config

G120C_CAN	Access level: 2	Calculated: -	Data type: Integer16
	Can be changed: C, T	Scaling: -	Dyn. index: -
	Units group: -	Unit selection: -	Func. diagram: 9204, 9206, 9208, 9210
	Min	Max	Factory setting
	1	2	2

Description: Selector switch for the PDO mapping.

Value: 1: Predefined Connection Set
 2: Free PDO Mapping

r8745[0...15] CO: CAN free PZD receive objects 16 bit / Free PZD recv 16

G120C_CAN	Access level: 3	Calculated: -	Data type: Integer16
	Can be changed: -	Scaling: 4000H	Dyn. index: -
	Units group: -	Unit selection: -	Func. diagram: -
	Min	Max	Factory setting
	-	-	-

Description: Access to free PZD receive objects 16 bit using the SDO transfer.

An index can only be used, if the corresponding object has not been mapped in a PDO.

Index: [0] = PZD object 0
 [1] = PZD object 1
 [2] = PZD object 2
 [3] = PZD object 3
 [4] = PZD object 4
 [5] = PZD object 5
 [6] = PZD object 6
 [7] = PZD object 7
 [8] = PZD object 8
 [9] = PZD object 9
 [10] = PZD object 10
 [11] = PZD object 11
 [12] = PZD object 12
 [13] = PZD object 13
 [14] = PZD object 14
 [15] = PZD object 15

Note: Index 0 corresponds to the CANopen object 5800 hex
 Index 1 corresponds to the CANopen object 5801 hex
 Index 2 corresponds to the CANopen object 5802 hex
 Index 3 corresponds to the CANopen object 5803 hex
 Index 4 corresponds to the CANopen object 5804 hex
 Index 5 corresponds to the CANopen object 5805 hex
 Index 6 corresponds to the CANopen object 5806 hex
 Index 7 corresponds to the CANopen object 5807 hex
 Index 8 corresponds to the CANopen object 5808 hex
 Index 9 corresponds to the CANopen object 5809 hex
 Index 10 corresponds to the CANopen object 580A hex
 Index 11 corresponds to the CANopen object 580B hex
 Index 12 corresponds to the CANopen object 580C hex
 Index 13 corresponds to the CANopen object 580D hex
 Index 14 corresponds to the CANopen object 580E hex
 Index 15 corresponds to the CANopen object 580F hex

p8746[0...15]	CI: CAN free PZD send objects 16 bit / Free PZD send 16		
G120C_CAN	Access level: 3	Calculated: -	Data type: U32 / Integer16
	Can be changed: U, T	Scaling: 4000H	Dyn. index: -
	Units group: -	Unit selection: -	Func. diagram: -
	Min	Max	Factory setting
	-	-	0

Description: Sets the signal source for free PZD send objects 16 bit for SDO transfer.
An index can only be used, if the corresponding object has not been mapped in a PDO.

Index:
 [0] = PZD object 0
 [1] = PZD object 1
 [2] = PZD object 2
 [3] = PZD object 3
 [4] = PZD object 4
 [5] = PZD object 5
 [6] = PZD object 6
 [7] = PZD object 7
 [8] = PZD object 8
 [9] = PZD object 9
 [10] = PZD object 10
 [11] = PZD object 11
 [12] = PZD object 12
 [13] = PZD object 13
 [14] = PZD object 14
 [15] = PZD object 15

Note:
 Index 0 corresponds to the CANopen object 5810 hex
 Index 1 corresponds to the CANopen object 5811 hex
 Index 2 corresponds to the CANopen object 5812 hex
 Index 3 corresponds to the CANopen object 5813 hex
 Index 4 corresponds to the CANopen object 5814 hex
 Index 5 corresponds to the CANopen object 5815 hex
 Index 6 corresponds to the CANopen object 5816 hex
 Index 7 corresponds to the CANopen object 5817 hex
 Index 8 corresponds to the CANopen object 5818 hex
 Index 9 corresponds to the CANopen object 5819 hex
 Index 10 corresponds to the CANopen object 581A hex
 Index 11 corresponds to the CANopen object 581B hex
 Index 12 corresponds to the CANopen object 581C hex
 Index 13 corresponds to the CANopen object 581D hex
 Index 14 corresponds to the CANopen object 581E hex
 Index 15 corresponds to the CANopen object 581F hex

r8747[0...7]	CO: CAN free PZD receive objects 32 bit / Free PZD recv 32		
G120C_CAN	Access level: 3	Calculated: -	Data type: Integer32
	Can be changed: -	Scaling: 4000H	Dyn. index: -
	Units group: -	Unit selection: -	Func. diagram: -
	Min	Max	Factory setting
	-	-	-

Description: Access to free PZD receive objects 32 bit using the SDO transfer.
An index can only be used, if the corresponding object has not been mapped in a PDO.

Index:
 [0] = PZD object 0
 [1] = PZD object 1
 [2] = PZD object 2
 [3] = PZD object 3
 [4] = PZD object 4
 [5] = PZD object 5
 [6] = PZD object 6
 [7] = PZD object 7

Note: Index 0 corresponds to the CANopen object 5820 hex
 Index 1 corresponds to the CANopen object 5821 hex
 Index 2 corresponds to the CANopen object 5822 hex
 Index 3 corresponds to the CANopen object 5823 hex
 Index 4 corresponds to the CANopen object 5824 hex
 Index 5 corresponds to the CANopen object 5825 hex
 Index 6 corresponds to the CANopen object 5826 hex
 Index 7 corresponds to the CANopen object 5827 hex

p8748[0...7]	CI: CAN free PZD send objects 32 bit / Free PZD send 32		
G120C_CAN	Access level: 3	Calculated: -	Data type: U32 / Integer32
	Can be changed: U, T	Scaling: 4000H	Dyn. index: -
	Units group: -	Unit selection: -	Func. diagram: -
	Min	Max	Factory setting
	-	-	0

Description: Sets the signal source for free PZD send objects 32 bit for SDO transfer.
 An index can only be used, if the corresponding object has not been mapped in a PDO.

Index: [0] = PZD object 0
 [1] = PZD object 1
 [2] = PZD object 2
 [3] = PZD object 3
 [4] = PZD object 4
 [5] = PZD object 5
 [6] = PZD object 6
 [7] = PZD object 7

Note: Index 0 corresponds to the CANopen object 5830 hex
 Index 1 corresponds to the CANopen object 5831 hex
 Index 2 corresponds to the CANopen object 5832 hex
 Index 3 corresponds to the CANopen object 5833 hex
 Index 4 corresponds to the CANopen object 5834 hex
 Index 5 corresponds to the CANopen object 5835 hex
 Index 6 corresponds to the CANopen object 5836 hex
 Index 7 corresponds to the CANopen object 5837 hex

r8750[0...15]	CAN mapped 16-bit receive objects / RPDO 16 mapped		
G120C_CAN	Access level: 3	Calculated: -	Data type: Unsigned16
	Can be changed: -	Scaling: -	Dyn. index: -
	Units group: -	Unit selection: -	Func. diagram: -
	Min	Max	Factory setting
	-	-	-

Description: Displays the mapped 16-bit receive CANopen objects in the process data buffer.
 Example:
 If, e.g. the control word is mapped in an RPDO, then r8750 indicates the position of the control word in the process data buffer.

Index: [0] = PZD 1
 [1] = PZD 2
 [2] = PZD 3
 [3] = PZD 4
 [4] = PZD 5
 [5] = PZD 6
 [6] = PZD 7
 [7] = PZD 8
 [8] = PZD 9
 [9] = PZD 10
 [10] = PZD 11
 [11] = PZD 12
 [12...15] = Reserved

r8751[0...15]	CAN mapped 16-bit transmit objects / TPDO 16 mapped		
G120C_CAN	Access level: 3	Calculated: -	Data type: Unsigned16
	Can be changed: -	Scaling: -	Dyn. index: -
	Units group: -	Unit selection: -	Func. diagram: -
	Min	Max	Factory setting
	-	-	-
Description:	Displays mapped 16-bit transmit CANopen objects in the process data buffer.		
Index:	[0] = PZD 1 [1] = PZD 2 [2] = PZD 3 [3] = PZD 4 [4] = PZD 5 [5] = PZD 6 [6] = PZD 7 [7] = PZD 8 [8] = PZD 9 [9] = PZD 10 [10] = PZD 11 [11] = PZD 12 [12...15] = Reserved		
Dependency:	Refer to: r8750		

r8760[0...14]	CAN mapped 32-bit receive objects / RPDO 32 mapped		
G120C_CAN	Access level: 3	Calculated: -	Data type: Unsigned16
	Can be changed: -	Scaling: -	Dyn. index: -
	Units group: -	Unit selection: -	Func. diagram: -
	Min	Max	Factory setting
	-	-	-
Description:	Displays the mapped 32-bit receive CANopen objects in the process data buffer.		
Index:	[0] = PZD 1 + 2 [1] = PZD 2 + 3 [2] = PZD 3 + 4 [3] = PZD 4 + 5 [4] = PZD 5 + 6 [5] = PZD 6 + 7 [6] = PZD 7 + 8 [7] = PZD 8 + 9 [8] = PZD 9 + 10 [9] = PZD 10 + 11 [10] = PZD 11 + 12 [11...14] = Reserved		

r8761[0...14]	CAN mapped 32-bit transmit objects / TPDO 32 mapped		
G120C_CAN	Access level: 3	Calculated: -	Data type: Unsigned16
	Can be changed: -	Scaling: -	Dyn. index: -
	Units group: -	Unit selection: -	Func. diagram: -
	Min	Max	Factory setting
	-	-	-
Description:	Displays mapped 32-bit transmit CANopen objects in the process data buffer.		
Index:	[0] = PZD 1 + 2 [1] = PZD 2 + 3 [2] = PZD 3 + 4 [3] = PZD 4 + 5 [4] = PZD 5 + 6 [5] = PZD 6 + 7 [6] = PZD 7 + 8 [7] = PZD 8 + 9 [8] = PZD 9 + 10		

[9] = PZD 10 + 11
 [10] = PZD 11 + 12
 [11...14] = Reserved

r8762	CO: CAN operating mode display / Op mode display		
G120C_CAN	Access level: 3	Calculated: -	Data type: Integer16
	Can be changed: -	Scaling: -	Dyn. index: -
	Units group: -	Unit selection: -	Func. diagram: -
	Min	Max	Factory setting
	-	-	-
Description:	Displays the currently effective CANopen operating mode. To send the CANopen object 0x6061 mapped in a TPDO, this parameter can be correspondingly interconnected in the PZD interface.		

r8784	CO: CAN status word / Status word		
G120C_CAN	Access level: 3	Calculated: -	Data type: Unsigned16
	Can be changed: -	Scaling: -	Dyn. index: -
	Units group: -	Unit selection: -	Func. diagram: 9226
	Min	Max	Factory setting
	-	-	-

Description: Display and connector output for the CANopen status word

Bit field:	Bit	Signal name	1 signal	0 signal	FP
	00	Rdy for switch on	Yes	No	-
	01	Ready	Yes	No	-
	02	Operation enabled	Yes	No	-
	03	Fault present	Yes	No	-
	04	No coasting active	Yes	No	-
	05	No Quick Stop active	Yes	No	-
	06	Switching on inhibited active	Yes	No	-
	07	Alarm present	Yes	No	-
	08	Can be freely interconnected (BI: p8785)	Yes	No	-
	09	Control request	Yes	No	-
	10	Target reached	Yes	No	-
	11	Torque limit reached	Yes	No	-
	12	Velocity equal to zero	Yes	No	-
	14	Can be freely interconnected (BI: p8786)	Yes	No	-
	15	Can be freely interconnected (BI: p8787)	Yes	No	-

Note: Corresponds to CANopen object 6041 hex.

Re bit 10:

When the ramp-function generator is activated, the interconnection from CI: p2151 = r1119 can be changed, so that to evaluate bit 10, the setpoint can be retrieved (taken) from in front of the ramp-function generator.

Re bit 10, 12:

When braking, the two bits must indicate the same state. This is the reason that the following parameters must be set the same:

p2161 (speed threshold value 3, for r2199.0) = p2163 (speed threshold value 4, for r2197.7)

p2150 (hysteresis speed 3, for r2199.0) = p2164 (hysteresis speed 4, for r2197.7)

p8785	BI: CAN status word bit 8 / Status word bit 8		
G120C_CAN	Access level: 3	Calculated: -	Data type: U32 / Binary
	Can be changed: T	Scaling: -	Dyn. index: -
	Units group: -	Unit selection: -	Func. diagram: 9226
	Min	Max	Factory setting
	-	-	0

Description: Sets the signal source for bit 8 of the CANopen status word.

Dependency: Refer to: r8784

2 Parameters

2.2 List of parameters

p8786	BI: CAN status word bit 14 / Status word bit 14		
G120C_CAN	Access level: 3	Calculated: -	Data type: U32 / Binary
	Can be changed: T	Scaling: -	Dyn. index: -
	Units group: -	Unit selection: -	Func. diagram: 9226
	Min	Max	Factory setting
	-	-	0
Description:	Sets the signal source for bit 14 of the CANopen status word.		
Dependency:	Refer to: r8784		

p8787	BI: CAN status word bit 15 / Status word bit 15		
G120C_CAN	Access level: 3	Calculated: -	Data type: U32 / Binary
	Can be changed: T	Scaling: -	Dyn. index: -
	Units group: -	Unit selection: -	Func. diagram: 9226
	Min	Max	Factory setting
	-	-	0
Description:	Sets the signal source for bit 15 of the CANopen status word.		
Dependency:	Refer to: r8784		

p8790	CAN control word - auto interconnection / STW interc auto		
G120C_CAN	Access level: 3	Calculated: -	Data type: Integer16
	Can be changed: C(3), T	Scaling: -	Dyn. index: -
	Units group: -	Unit selection: -	Func. diagram: -
	Min	Max	Factory setting
	0	1	0
Description:	Sets the automatic BICO interconnection of the CANopen control word.		
Value:	0: No interconn 1: Interconnection		
Dependency:	Refer to: r2050, r2090, r2091, r2092, r2093, r8750, r8795		
Note:	The following BICO interconnections are automatically established if the CANopen control word is mapped at one of the locations x = 0 ... 3 in the receive process data buffer. BI: p0840.0 = r209x.0 BI: p0844.0 = r209x.1 BI: p0848.0 = r209x.2 BI: p0852.0 = r209x.3 BI: p2103.0 = r209x.7 The write access is rejected if a CANopen control word is not mapped at one of these locations. This also causes the project download of the commissioning software to be canceled.		

p8791	CAN stop option code / Stop opt_code		
G120C_CAN	Access level: 3	Calculated: -	Data type: Integer16
	Can be changed: C(3), T	Scaling: -	Dyn. index: -
	Units group: -	Unit selection: -	Func. diagram: -
	Min	Max	Factory setting
	-1	3	-1
Description:	Setting for the CANopen control word bit 8 "Stop" (CANopen STW.8).		
Value:	-1: No interconn 1: Interconnection CANopen STW.8 with p1142 3: Interconnection CANopen STW.8 with p1140		
Dependency:	Refer to: r2050, r8750, r8795		
Note:	Corresponds to CANopen object 605D hex. The BICO interconnection is established, if the CANopen control word is mapped at one of the locations x = 0 ... 3 in the receive process data buffer.		

r8792[0]					
CO: CAN velocity mode I16 setpoint / Vel mod I16 set					
G120C_CAN	Access level: 3	Calculated: -	Data type: Integer16		
	Can be changed: -	Scaling: 4000H	Dyn. index: -		
	Units group: -	Unit selection: -	Func. diagram: -		
	Min	Max	Factory setting		
	-	-	-		
Description:	Display and connector output to interconnect standardized I16 setpoint CANopen objects of the velocity mode for SDO transfer. An index can only be used, if the corresponding object has not been mapped in a PDO.				
Index:	[0] = VL Target Velocity				
Note:	Re index 0: Corresponds to the CANopen object 6042 hex. The displayed parameter value is scaled via the reference speed p2000: 4000 hex corresponds to p2000				
r8795.0...15					
CO/BO: CAN control word / Control word					
G120C_CAN	Access level: 3	Calculated: -	Data type: Unsigned16		
	Can be changed: -	Scaling: -	Dyn. index: -		
	Units group: -	Unit selection: -	Func. diagram: -		
	Min	Max	Factory setting		
	-	-	-		
Description:	Access to the CANopen control word using SDO transfer.				
Bit field:	Bit	Signal name	1 signal	0 signal	FP
	00	ON/OFF1	Yes	No	-
	01	Do not activate coast down	Yes	No	-
	02	Do not activate a Quick Stop	Yes	No	-
	03	Operation enable	Yes	No	-
	04	Ramp-function generator enable	Yes	No	-
	05	Continue ramp-function generator	Yes	No (freeze)	-
	06	Speed setpoint enable	Yes	No	-
	07	Acknowledge fault	Yes	No	-
	08	Stop	Yes	No	-
	11	Freely interconn	Yes	No	-
	12	Freely interconn	Yes	No	-
	13	Freely interconn	Yes	No	-
	14	Freely interconn	Yes	No	-
	15	Freely interconn	Yes	No	-
Dependency:	Refer to: p8790				
Note:	Corresponds to the CANopen object 6040 hex.				
r8796[0]					
CO: CAN profile velocity mode I32 setpoints / Pr vel mo I32 set					
G120C_CAN	Access level: 3	Calculated: -	Data type: Integer32		
	Can be changed: -	Scaling: 4000H	Dyn. index: -		
	Units group: -	Unit selection: -	Func. diagram: -		
	Min	Max	Factory setting		
	-	-	-		
Description:	Display and connector output to interconnect standardized I32 setpoint CANopen objects of the profile velocity mode for SDO transfer. An index can only be used, if the corresponding object has not been mapped in a PDO.				
Index:	[0] = Target velocity				
Note:	Re index 0: Corresponds to the CANopen object 60FF hex. The displayed parameter value is scaled via the reference speed p2000: 4000 0000 hex corresponds to p2000				

2 Parameters

2.2 List of parameters

r8797[0]			
CO: CAN profile torque mode I16 setpoints / Pr Tq mod I16 set			
G120C_CAN	Access level: 3	Calculated: -	Data type: Integer16
	Can be changed: -	Scaling: 4000H	Dyn. index: -
	Units group: -	Unit selection: -	Func. diagram: -
	Min	Max	Factory setting
	-	-	-
Description:	Display and connector output to interconnect standardized I16 setpoint CANopen objects of the profile torque mode for SDO transfer. An index can only be used, if the corresponding object has not been mapped in a PDO.		
Index:	[0] = Target torque		
Note:	Re index 0: Corresponds to the CANopen object 6071 hex. The displayed parameter value is scaled via the reference torque p2003: 4000 hex corresponds to p2003		
p8798[0...1]			
CAN speed conversion factor / n_conv_factor			
G120C_CAN	Access level: 3	Calculated: -	Data type: Unsigned32
	Can be changed: T	Scaling: -	Dyn. index: -
	Units group: -	Unit selection: -	Func. diagram: -
	Min	Max	Factory setting
	1	4294967295	1
Description:	The factor converts the required velocity units into the internal velocity units (U/s). With the factory setting, for CANopen, the velocity units are increments/second. The parameter corresponds to the CANopen object 6094 hex. The internal velocity is calculated as follows: $n_set_internal = object\ 6094.1 / object\ 6094.2 * 1 / (p0408 * 2^{p0418}) * n_set_bus$		
Index:	[0] = Counter [1] = Denominator		
p8805			
Identification and maintenance 4 configuration / I&M 4 config			
G120C_PN	Access level: 3	Calculated: -	Data type: Integer16
	Can be changed: U, T	Scaling: -	Dyn. index: -
	Units group: -	Unit selection: -	Func. diagram: -
	Min	Max	Factory setting
	0	1	0
Description:	Sets the configuration for the content of identification and maintenance 4 (I&M 4, p8809).		
Value:	0: Standard value for I&M 4 (p8809) 1: User value for I&M 4 (p8809)		
Dependency:	For p8805 = 0, if the user writes at least one value in p8809[0...53], then p8805 is automatically set to = 1. When p8805 is reset = 0, then the content of the factory setting is set in p8809.		
Note:	Re p8805 = 0: PROFINET I&M 4 (p8809) contains the information for the SI change tracking. Re p8805 = 1: PROFINET I&M 4 (p8809) contains the values written by the user.		
p8806[0...53]			
Identification and Maintenance 1 / I&M 1			
G120C_PN	Access level: 3	Calculated: -	Data type: Unsigned8
	Can be changed: U, T	Scaling: -	Dyn. index: -
	Units group: -	Unit selection: -	Func. diagram: -
	Min	Max	Factory setting
	-	-	-
Description:	Parameters for the PROFINET data set "Identification and Maintenance 1" (I&M 1). This information is known as "System identifier" and "Location identifier".		

Dependency: Refer to: p8807, p8808
Notice: Only characters belonging to the standard ASCII character set may be used (32 dec to 126 dec).
Note: An ASCII table (excerpt) can be found, for example, in the appendix to the List Manual.
 Re p8806[0...31]:
 System identifier.
 Re p8806[32...53]:
 Location identifier.

p8807[0...15] Identification and Maintenance 2 / I&M 2

G120C_PN	Access level: 3	Calculated: -	Data type: Unsigned8
	Can be changed: U, T	Scaling: -	Dyn. index: -
	Units group: -	Unit selection: -	Func. diagram: -
	Min	Max	Factory setting
	-	-	

Description: Parameters for the PROFINET data set "Identification and Maintenance 2" (I&M 2).
 This information is known as "Installation date".

Dependency: Refer to: p8806, p8808
Note: An ASCII table (excerpt) can be found, for example, in the appendix to the List Manual.
 Re p8807[0...15]:
 Dates of installation or first commissioning of the (ASCII) device with the following format options.
 YYYY-MM-DD
 or
 YYYY-MM-DD hh:mm
 - YYYY: year
 - MM: month 01 ... 12
 - DD: day 01 ... 31
 - hh: hours 00 ... 23
 - mm: minutes 00 ... 59
 Separators must be placed between the individual data, i.e. a hyphen '-', space ' ' and colon ':'.

p8808[0...53] Identification and Maintenance 3 / I&M 3

G120C_PN	Access level: 3	Calculated: -	Data type: Unsigned8
	Can be changed: U, T	Scaling: -	Dyn. index: -
	Units group: -	Unit selection: -	Func. diagram: -
	Min	Max	Factory setting
	-	-	

Description: Parameters for the PROFINET data set "Identification and Maintenance 3" (I&M 3).
 This information is known as "Supplementary information".

Dependency: Refer to: p8806, p8807
Notice: Only characters belonging to the standard ASCII character set may be used (32 dec to 126 dec).
Note: An ASCII table (excerpt) can be found, for example, in the appendix to the List Manual.
 Re p8808[0...53]:
 Any supplementary information and comments (ASCII).

p8809[0...53] Identification and Maintenance 4 / I&M 4

G120C_PN	Access level: 3	Calculated: -	Data type: Unsigned8
	Can be changed: U, T	Scaling: -	Dyn. index: -
	Units group: -	Unit selection: -	Func. diagram: -
	Min	Max	Factory setting
	0000 bin	1111 1111 bin	0000 bin

Description: Parameters for the PROFINET data set "Identification and Maintenance 4" (I&M 4).
 This information is known as "Signature".

2 Parameters

2.2 List of parameters

Dependency: This parameter is preassigned as standard (see note).
After writing information to p8809, p8805 is automatically set to = 1.
Refer to: p8805

Note: For p8805 = 0 (factory setting) the following applies:
Parameter p8809 contains the information described below.
Re p8809[0...3]:
Contains the value from r9781[0] "SI change tracking checksum functional".
Re p8809[4...7]:
Contains the value from r9782[0] "SI change tracking time stamp checksum functional".
Re p8809[8...53]:
Reserved.

r8854	PROFINET state / PN state		
G120C_PN	Access level: 4	Calculated: -	Data type: Integer16
	Can be changed: -	Scaling: -	Dyn. index: -
	Units group: -	Unit selection: -	Func. diagram: -
	Min	Max	Factory setting
	0	255	-

Description: State display for PROFINET.
Value: 0: No initialization
1: Fatal fault
2: Initialization
3: Send configuration
4: Receive configuration
5: Non-cyclic communication
6: Cyclic communications but no setpoints (stop/no clock cycle)
255: Cyclic communication

r8858[0...39]	PROFINET read diagnostics channel / PN diag_chan read		
G120C_PN	Access level: 4	Calculated: -	Data type: Unsigned16
	Can be changed: -	Scaling: -	Dyn. index: -
	Units group: -	Unit selection: -	Func. diagram: -
	Min	Max	Factory setting
	-	-	-

Description: Displays the PROFINET diagnostics data.
Note: Only for internal Siemens diagnostics.

r8859[0...7]	PROFINET identification data / PN ident data		
G120C_PN	Access level: 4	Calculated: -	Data type: Unsigned16
	Can be changed: -	Scaling: -	Dyn. index: -
	Units group: -	Unit selection: -	Func. diagram: -
	Min	Max	Factory setting
	-	-	-

Description: Displays the PROFINET identification data
Index: [0] = Version interface structure
[1] = Version interface driver
[2] = Company (Siemens = 42)
[3] = CB type
[4] = Firmware version
[5] = Firmware date (year)
[6] = Firmware date (day/month)
[7] = Firmware patch/hot fix

Note: Example:
 r8859[0] = 100 --> version of the interface structure V1.00
 r8859[1] = 111 --> version of the interface driver V1.11
 r8859[2] = 42 --> SIEMENS
 r8859[3] = 0
 r8859[4] = 1300 --> first part, firmware version V13.00 (second part, see index 7)
 r8859[5] = 2011 --> year 2011
 r8859[6] = 2306 --> 23rd June
 r8859[7] = 1700 --> second part, firmware version (complete version: V13.00.17.00)

r8909	PN device ID / PN device ID		
G120C_PN	Access level: 3	Calculated: -	Data type: Unsigned16
	Can be changed: -	Scaling: -	Dyn. index: -
	Units group: -	Unit selection: -	Func. diagram: -
	Min	Max	Factory setting
	-	-	-

Description: Displays the PROFINET Device ID.
 Every SINAMICS device type has its own PROFINET Device ID and its own PROFINET GSD.

Note: List of the SINAMICS Device IDs:
 0501 hex: S120/S150
 0504 hex: G130/G150
 050A hex: DC MASTER
 050C hex: MV
 050F hex: G120P
 0510 hex: G120C
 0511 hex: G120 CU240E-2
 0512 hex: G120D
 0513 hex: G120 CU250S-2 Vector
 0514 hex: G110M

p8920[0...239]	PN Name of Station / PN Name Stat		
G120C_PN	Access level: 3	Calculated: -	Data type: Unsigned8
	Can be changed: U, T	Scaling: -	Dyn. index: -
	Units group: -	Unit selection: -	Func. diagram: -
	Min	Max	Factory setting
	-	-	-

Description: Sets the station name for the onboard PROFINET interface on the Control Unit.
 The active station name is displayed in r8930.

Note: An ASCII table (excerpt) can be found, for example, in the appendix to the List Manual.
 The interface configuration (p8920 and following) is activated with p8925.
 The parameter is not influenced by setting the factory setting.
 PN: PROFINET

p8921[0...3]	PN IP address of station / PN IP of stat		
G120C_PN	Access level: 3	Calculated: -	Data type: Unsigned8
	Can be changed: U, T	Scaling: -	Dyn. index: -
	Units group: -	Unit selection: -	Func. diagram: -
	Min	Max	Factory setting
	0	255	0

Description: Sets the IP address for the onboard PROFINET interface on the Control Unit.
 The active IP address is displayed in r8931.

Note: The interface configuration (p8920 and following) is activated with p8925.
 The parameter is not influenced by setting the factory setting.

p8922[0...3]	PN Default Gateway of Station / PN Def Gateway		
G120C_PN	Access level: 3	Calculated: -	Data type: Unsigned8
	Can be changed: U, T	Scaling: -	Dyn. index: -
	Units group: -	Unit selection: -	Func. diagram: -
	Min	Max	Factory setting
	0	255	0
Description:	Sets the default gateway for the onboard PROFINET interface on the Control Unit. The active default gateway is displayed in r8932.		
Note:	The interface configuration (p8920 and following) is activated with p8925. The parameter is not influenced by setting the factory setting.		

p8923[0...3]	PN Subnet Mask of Station / PN Subnet Mask		
G120C_PN	Access level: 3	Calculated: -	Data type: Unsigned8
	Can be changed: U, T	Scaling: -	Dyn. index: -
	Units group: -	Unit selection: -	Func. diagram: -
	Min	Max	Factory setting
	0	255	0
Description:	Sets the subnet mask for the onboard PROFINET interface on the Control Unit. The active subnet mask is displayed in r8933.		
Note:	The interface configuration (p8920 and following) is activated with p8925. The parameter is not influenced by setting the factory setting.		

p8924	PN DHCP Mode / PN DHCP Mode		
G120C_PN	Access level: 3	Calculated: -	Data type: Unsigned8
	Can be changed: U, T	Scaling: -	Dyn. index: -
	Units group: -	Unit selection: -	Func. diagram: -
	Min	Max	Factory setting
	0	3	0
Description:	Sets the DHCP mode for the onboard PROFINET interface on the Control Unit. The active DHCP mode is displayed in r8934.		
Notice:	When the DHCP mode is active (p8924 > 0), then PROFINET communication via this interface is no longer possible! However, the interface can be used by the STARTER/SCOUT commissioning tool.		
Note:	The interface configuration (p8920 and following) is activated with p8925. The active DHCP mode is displayed in parameter r8934. The parameter is not influenced by setting the factory setting. If value = 0: DHCP deactivated. If value = 1: Reserved. If value = 2: DHCP activated. The MAC address of this interface is used for client identification. If value = 3: DHCP activated. The station name of this interface is used for client identification.		

p8925	PN interface configuration / PN IF config		
G120C_PN	Access level: 3	Calculated: -	Data type: Integer16
	Can be changed: U, T	Scaling: -	Dyn. index: -
	Units group: -	Unit selection: -	Func. diagram: -
	Min	Max	Factory setting
	0	3	0
Description:	Setting to activate the interface configuration for the onboard PROFINET interface on the Control Unit. p8925 is automatically set to 0 at the end of the operation.		

Value:	0: No function 1: Reserved 2: Save and activate configuration 3: Delete configuration
Notice:	When the DHCP mode is active (p8924 > 0), then PROFINET communication via this interface is no longer possible! However, the interface can be used by the STARTER/SCOUT commissioning tool.
Note:	Re p8925 = 2: The interface configuration (p8920 and following) is saved and activated after the next POWER ON. Re p8925 = 3: The factory setting of the interface configuration is loaded after the next POWER ON.

p8929	PN remote controller number / PN rem ctrl num		
G120C_PN	Access level: 3	Calculated: -	Data type: Integer16
	Can be changed: C	Scaling: -	Dyn. index: -
	Units group: -	Unit selection: -	Func. diagram: -
	Min	Max	Factory setting
	1	2	1
Description:	Sets the number of remote controllers expected for PROFINET onboard. The "Shared Device" functionality is activated with a value = 2. The drive is being accessed by two PROFINET controllers simultaneously: - automation controller (SIMOTION or SIMATIC A-CPU). - safety controller (SIMATIC F-CPU).		
Value:	1: Automation or Safety 2: Automation and Safety		
Notice:	The F CPU may only use PROFIsafe telegrams.		
Note:	A change only becomes effective after POWER ON, reset or download.		

r8930[0...239]	PN Name of Station active / PN Name Stat act		
G120C_PN	Access level: 3	Calculated: -	Data type: Unsigned8
	Can be changed: -	Scaling: -	Dyn. index: -
	Units group: -	Unit selection: -	Func. diagram: -
	Min	Max	Factory setting
	-	-	-
Description:	Displays the active station name for the onboard PROFINET interface on the Control Unit.		

r8931[0...3]	PN IP Address of Station active / PN IP of Stat act		
G120C_PN	Access level: 3	Calculated: -	Data type: Unsigned8
	Can be changed: -	Scaling: -	Dyn. index: -
	Units group: -	Unit selection: -	Func. diagram: -
	Min	Max	Factory setting
	0	255	-
Description:	Displays the active IP address for the onboard PROFINET interface on the Control Unit.		

r8932[0...3]	PN Default Gateway of Station active / PN Def Gateway act		
G120C_PN	Access level: 3	Calculated: -	Data type: Unsigned8
	Can be changed: -	Scaling: -	Dyn. index: -
	Units group: -	Unit selection: -	Func. diagram: -
	Min	Max	Factory setting
	0	255	-
Description:	Displays the active default gateway for the onboard PROFINET interface on the Control Unit.		

2 Parameters

2.2 List of parameters

r8933[0...3]	PN Subnet Mask of Station active / PN Subnet Mask act		
G120C_PN	Access level: 3	Calculated: -	Data type: Unsigned8
	Can be changed: -	Scaling: -	Dyn. index: -
	Units group: -	Unit selection: -	Func. diagram: -
	Min	Max	Factory setting
	0	255	-
Description:	Displays the active subnet mask for the onboard PROFINET interface on the Control Unit.		

r8934	PN DHCP Mode active / PN DHCP Mode act		
G120C_PN	Access level: 3	Calculated: -	Data type: Unsigned8
	Can be changed: -	Scaling: -	Dyn. index: -
	Units group: -	Unit selection: -	Func. diagram: -
	Min	Max	Factory setting
	0	255	-
Description:	Displays the active DHCP mode for the onboard PROFINET interface on the Control Unit.		
Notice:	When the DHCP mode is active (parameter value greater than 0), PROFINET communication via this interface is no longer possible! However, the interface can be used for commissioning tool such as STARTER or SCOUT.		
Note:	If value = 0: DHCP deactivated. If value = 2: DHCP activated. The MAC address of this interface is used for client identification. If value = 3: DHCP activated. The station name of this interface is used for client identification.		

r8935[0...5]	PN MAC Address of Station / PN MAC of Station		
G120C_PN	Access level: 3	Calculated: -	Data type: Unsigned8
	Can be changed: -	Scaling: -	Dyn. index: -
	Units group: -	Unit selection: -	Func. diagram: -
	Min	Max	Factory setting
	0000 hex	00FF hex	-
Description:	Displays the MAC address for the onboard PROFINET interface on the Control Unit.		

r8939	PN DAP ID / PN DAP ID		
G120C_PN	Access level: 3	Calculated: -	Data type: Unsigned32
	Can be changed: -	Scaling: -	Dyn. index: -
	Units group: -	Unit selection: -	Func. diagram: -
	Min	Max	Factory setting
	-	-	-
Description:	Displays the PROFINET Device Access Point ID (DAP ID) for the onboard PROFINET interface. The combination of device ID (r8909) and DAP ID uniquely identifies a PROFINET access point.		
Note:	List of the SINAMICS DAP IDs: 20007 hex: CBE20 V4.5 20008 hex: CBE20 V4.6 20107 hex: CU310-2 PN V4.5 20108 hex: CU310-2 PN V4.6 20307 hex: CU320-2 PN V4.5 20308 hex: CU320-2 PN V4.6 20407 hex: CU230P-2 PN /CU240x-2 PN V4.5 20408 hex: CU230P-2 PN /CU240x-2 PN /CU250S-2 PN /G110M PN V4.6 20507 hex: CU250D-2 PN V4.5 20508 hex: CU250D-2 PN V4.6		

r8960[0...2] PN subslot controller assignment / PN subslot assign				
G120C_PN	Access level: 3	Calculated: -	Data type: Unsigned8	
	Can be changed: -	Scaling: -	Dyn. index: -	
	Units group: -	Unit selection: -	Func. diagram: -	
	Min	Max	Factory setting	
	0	8	-	
Description:	Displays the controller assignment of a PROFINET subslot on the actual drive object.			
Index:	[0] = Subslot 2 PROFIsafe [1] = Subslot 3 PZD telegram [2] = Subslot 4 PZD supplementary data			
Dependency:	Refer to: r8961, r8962			
Note:	Example: If the parameter contains the value 2 in index [1], then this means that subslot 3 is assigned to controller 2.			
r8961[0...3] PN IP Address Remote Controller 1 / IP Addr Rem Ctrl1				
G120C_PN	Access level: 3	Calculated: -	Data type: Unsigned8	
	Can be changed: -	Scaling: -	Dyn. index: -	
	Units group: -	Unit selection: -	Func. diagram: -	
	Min	Max	Factory setting	
	0	255	-	
Description:	Displays the IP address of the first PROFINET controller connected with the device via PN onboard.			
r8962[0...3] PN IP Address Remote Controller 2 / IP Addr Rem Ctrl2				
G120C_PN	Access level: 3	Calculated: -	Data type: Unsigned8	
	Can be changed: -	Scaling: -	Dyn. index: -	
	Units group: -	Unit selection: -	Func. diagram: -	
	Min	Max	Factory setting	
	0	255	-	
Description:	Displays the IP address of the second PROFINET controller connected with the device via PN onboard.			
p8980 Ethernet/IPprofile / Eth/IP profile				
G120C_PN	Access level: 3	Calculated: -	Data type: Integer16	
	Can be changed: T	Scaling: -	Dyn. index: -	
	Units group: -	Unit selection: -	Func. diagram: -	
	Min	Max	Factory setting	
	0	1	0	
Description:	Sets the profile for Ethernet/IP.			
Value:	0: SINAMICS 1: ODVA AC/DC			
Note:	Changes only become effective after POWER ON. The parameter is not influenced by setting the factory setting. ODVA: Open DeviceNet Vendor Association			
p8981 Ethernet/IP ODVA STOP mode / Eth/IP ODVA STOP				
G120C_PN	Access level: 3	Calculated: -	Data type: Integer16	
	Can be changed: T	Scaling: -	Dyn. index: -	
	Units group: -	Unit selection: -	Func. diagram: -	
	Min	Max	Factory setting	
	0	1	0	
Description:	Sets the STOP mode for the Ethernet/IP ODVA profile (p8980 = 1).			
Value:	0: OFF1 1: OFF2			
Dependency:	Refer to: p8980			

2 Parameters

2.2 List of parameters

Note: Changes only become effective after POWER ON.
The parameter is not influenced by setting the factory setting.

p8982	Ethernet/IP ODVA speed scaling / Eth/IP ODVA n scal		
G120C_PN	Access level: 3	Calculated: -	Data type: Integer16
	Can be changed: T	Scaling: -	Dyn. index: -
	Units group: -	Unit selection: -	Func. diagram: -
	Min	Max	Factory setting
	123	133	128
Description:	Sets the scaling for the speed for Ethernet/IP ODVA profile (p8980 = 1).		
Value:	123: 32 124: 16 125: 8 126: 4 127: 2 128: 1 129: 0.5 130: 0.25 131: 0.125 132: 0.0625 133: 0.03125		
Dependency:	Refer to: p8980		
Note:	Changes only become effective after POWER ON. The parameter is not influenced by setting the factory setting.		

p8983	Ethernet/IP ODVA torque scaling / Eth/IP ODVA M scal		
G120C_PN	Access level: 3	Calculated: -	Data type: Integer16
	Can be changed: T	Scaling: -	Dyn. index: -
	Units group: -	Unit selection: -	Func. diagram: -
	Min	Max	Factory setting
	123	133	128
Description:	Sets the scaling for the torque for Ethernet/IP ODVA profile (p8980 = 1).		
Value:	123: 32 124: 16 125: 8 126: 4 127: 2 128: 1 129: 0.5 130: 0.25 131: 0.125 132: 0.0625 133: 0.03125		
Dependency:	Refer to: p8980		
Note:	Changes only become effective after POWER ON. The parameter is not influenced by setting the factory setting.		

p8991	USB memory access / USB mem acc		
	Access level: 3	Calculated: -	Data type: Integer16
	Can be changed: T	Scaling: -	Dyn. index: -
	Units group: -	Unit selection: -	Func. diagram: -
	Min	Max	Factory setting
	1	2	1
Description:	Selects the storage medium for access via the USB mass storage.		
Value:	1: Memory card 2: Flash r/w internal		

Note: A change only becomes effective after a POWER ON.
The parameter is not influenced by setting the factory setting.

p8999	USB functionality / USB Fct		
Access level: 4	Calculated: -	Data type: Integer16	
Can be changed: T	Scaling: -	Dyn. index: -	
Units group: -	Unit selection: -	Func. diagram: -	
Min	Max	Factory setting	
1	3	3	

Description: Setting the USB functionality.
Value: 1: USS commissioning via the virtual COM port
2: Only memory access
3: USB commissioning and memory access

Note: COMM: Commissioning.
A change only becomes effective after a POWER ON.
The parameter is not influenced by setting the factory setting.

p9400	Safely remove memory card / Mem_card rem		
Access level: 2	Calculated: -	Data type: Integer16	
Can be changed: T	Scaling: -	Dyn. index: -	
Units group: -	Unit selection: -	Func. diagram: -	
Min	Max	Factory setting	
0	100	0	

Description: Setting and display when memory card is "removed safely".
Procedure:
Setting p9400 = 2 results in a value of 3
--> The memory card can be removed safely. After removal the value sets itself to 0 automatically.
Setting p9400 = 2 results in a value of 100
--> The memory card cannot be removed safely. Removal may destroy the file system on the memory card. It may be necessary to set p9400 = 2 again.

Value: 0: No memory card inserted
1: Memory card inserted
2: Request "safe removal" of the memory card
3: "Safe removal" possible
100: "Safe removal" not possible due to access

Dependency: Refer to: r9401

Notice: Removing the memory card without a request (p9400 = 2) and confirmation (p9400 = 3) may destroy the file system on the memory card. The memory card will then no longer work properly and must be replaced.

Note: The status when the memory card is being "removed safely" is shown in r9401.
Re value = 0, 1, 3, 100:
These values can only be displayed, not set.

r9401	Safely remove memory card status / Mem_card rem stat		
Access level: 2	Calculated: -	Data type: Unsigned16	
Can be changed: -	Scaling: -	Dyn. index: -	
Units group: -	Unit selection: -	Func. diagram: -	
Min	Max	Factory setting	
-	-	-	

Description: Displays the status of the memory card.

Bit field:	Bit	Signal name	1 signal	0 signal	FP
	00	Memory card inserted	Yes	No	-
	01	Memory card activated	Yes	No	-
	02	SIEMENS memory card	Yes	No	-
	03	Memory card as USB data storage medium from the PC used	Yes	No	-

Dependency: Refer to: p9400

2 Parameters

2.2 List of parameters

Note:

Re bit 01, 00:
Bit 1/0 = 0/0: No memory card inserted (corresponds to p9400 = 0).
Bit 1/0 = 0/1: "Safe removal" possible (corresponds to p9400 = 3).
Bit 1/0 = 1/0: Status not possible.
Bit 1/0 = 1/1: Memory card inserted (corresponds to p9400 = 1, 2, 100).
Re bit 02, 00:
Bit 2/0 = 0/0: No memory card inserted.
Bit 2/0 = 0/1: Memory card inserted, but not a SIEMENS memory card.
Bit 2/0 = 1/0: Status not possible.
Bit 2/0 = 1/1: SIEMENS memory card inserted.

r9406[0...19]	PS file parameter number parameter not transferred / PS par_no n transf		
Access level: 4	Calculated: -	Data type: Unsigned16	
Can be changed: -	Scaling: -	Dyn. index: -	
Units group: -	Unit selection: -	Func. diagram: -	
Min	Max	Factory setting	
-	-	-	

Description: Displays the parameters that were not able to be transferred when reading the parameter back-up files (PS files) from the non-volatile memory (e.g. memory card).
r9406[0] = 0
--> All of the parameter values were able to be transferred error-free.
r9406[0...x] > 0
--> indicates the parameter number in the following cases:
- parameter, whose value was not able to be completely accepted.
- indexed parameter, where at least 1 index was not able to be accepted. The first index that is not transferred is displayed in r9407.

Dependency: Refer to: r9407, r9408

Note: All indices from r9406 to r9408 designate the same parameter.
r9406[x] parameter number, parameter not accepted
r9407[x] parameter index, parameter not accepted
r9408[x] fault code, parameter not accepted

r9407[0...19]	PS file parameter index parameter not transferred / PS parameter index		
Access level: 4	Calculated: -	Data type: Unsigned16	
Can be changed: -	Scaling: -	Dyn. index: -	
Units group: -	Unit selection: -	Func. diagram: -	
Min	Max	Factory setting	
-	-	-	

Description: Displays the first index of the parameters that could not be transferred when the parameter backup files (PS files) were read from the non-volatile memory (e.g. memory card).
If, from an indexed parameter, at least one index was not able to be transferred, then the parameter number is displayed in r9406[n] and the first index that was not transferred is displayed in r9407[n].
r9406[0] = 0
--> All of the parameter values were able to be transferred error-free.
r9406[n] > 0
--> Displays r9407[n] the first index of the parameter number r9406[n] that was not transferred.

Dependency: Refer to: r9406, r9408

Note: All indices from r9406 to r9408 designate the same parameter.
r9406[x] parameter number, parameter not accepted
r9407[x] parameter index, parameter not accepted
r9408[x] fault code, parameter not accepted

r9408[0...19]	PS file fault code parameter not transferred / PS fault code		
	Access level: 4	Calculated: -	Data type: Unsigned16
	Can be changed: -	Scaling: -	Dyn. index: -
	Units group: -	Unit selection: -	Func. diagram: -
	Min	Max	Factory setting
	-	-	-
Description:	Only for internal Siemens service purposes.		
Dependency:	Refer to: r9406, r9407		
Note:	All indices from r9406 to r9408 designate the same parameter. r9406[x] parameter number, parameter not accepted r9407[x] parameter index, parameter not accepted r9408[x] fault code, parameter not accepted		
r9463	Actual macro / Actual macro		
	Access level: 3	Calculated: -	Data type: Unsigned32
	Can be changed: -	Scaling: -	Dyn. index: -
	Units group: -	Unit selection: -	Func. diagram: -
	Min	Max	Factory setting
	0	999999	-
Description:	Displays the set valid macro.		
Note:	A value of 0 is displayed if a parameter set by a macro is changed.		
p9484	BICO interconnections search signal source / BICO S_src srch		
	Access level: 3	Calculated: -	Data type: Unsigned32
	Can be changed: U, T	Scaling: -	Dyn. index: -
	Units group: -	Unit selection: -	Func. diagram: -
	Min	Max	Factory setting
	0	4294967295	0
Description:	Sets the signal source (BO/CO parameter, BICO coded) to search in the signal sinks. The signal source to be searched for is set in p9484 (BICO-coded) and the search result is specified using the number (r9485) and the first index (r9486).		
Dependency:	Refer to: r9485, r9486		
r9485	BICO interconnections signal source search count / BICO S_src srchQty		
	Access level: 3	Calculated: -	Data type: Unsigned16
	Can be changed: -	Scaling: -	Dyn. index: -
	Units group: -	Unit selection: -	Func. diagram: -
	Min	Max	Factory setting
	-	-	-
Description:	Displays the number of BICO interconnections to the signal sink being searched for.		
Dependency:	Refer to: p9484, r9486		
Note:	The signal source to be searched is set in p9484 (BICO-coded). The search result is contained in r9482 and r9483 and is specified by the count (r9485) and the first index (r9486).		

r9486	BICO interconnections signal source search first index / BICO S_src srchldx		
	Access level: 3	Calculated: -	Data type: Unsigned16
	Can be changed: -	Scaling: -	Dyn. index: -
	Units group: -	Unit selection: -	Func. diagram: -
	Min	Max	Factory setting
	-	-	-
Description:	Displays the first index of the signal source being searched for. The signal source to be searched for is set in p9484 (BICO-coded) and the search result is specified using the number (r9485) and the first index (r9486).		
Dependency:	Refer to: p9484, r9485		
Note:	The signal source to be searched is set in p9484 (BICO-coded). The search result is contained in r9482 and r9483 and is specified by the count (r9485) and the first index (r9486).		

p9601	SI enable functions integrated in the drive (processor 1) / SI enable fct P1				
G120C_CAN	Access level: 3	Calculated: -	Data type: Unsigned32		
G120C_USS	Can be changed: C(95)	Scaling: -	Dyn. index: -		
	Units group: -	Unit selection: -	Func. diagram: -		
	Min	Max	Factory setting		
	-	-	0000 bin		
Description:	Sets the enable signals for the safety functions integrated in the drive and the type of selection on processor 1. Not all of the settings listed below will be permissible, depending on the Control Unit and Power Module being used: 0000 hex: Safety functions integrated in the drive inhibited (no safety function). 0001 hex: Basic functions are enabled via onboard terminals (permissible for r9771.0 = 1).				
Bit field:	Bit	Signal name	1 signal	0 signal	FP
	00	Enable STO via terminals (processor 1)	Enable	Inhibit	2810
Dependency:	Refer to: r9771, p9801				
Note:	A change only becomes effective after a POWER ON. STO: Safe Torque Off				

p9601	SI enable functions integrated in the drive (processor 1) / SI enable fct P1				
G120C_DP	Access level: 3	Calculated: -	Data type: Unsigned32		
G120C_PN	Can be changed: C(95)	Scaling: -	Dyn. index: -		
	Units group: -	Unit selection: -	Func. diagram: -		
	Min	Max	Factory setting		
	-	-	0000 bin		
Description:	Sets the enable signals for the safety functions integrated in the drive and the type of selection on processor 1. Not all of the settings listed below will be permissible, depending on the Control Unit and Power Module being used: 0000 hex: Safety functions integrated in the drive inhibited (no safety function). 0001 hex: Basic functions are enabled via onboard terminals (permissible for r9771.0 = 1). 0008 hex: Basic functions are enabled via PROFIsafe (permissible for r9771.6 = 1). 0009 hex: Basic functions are enabled via PROFIsafe onboard terminals (permissible for r9771.6 = 1).				
Bit field:	Bit	Signal name	1 signal	0 signal	FP
	00	Enable STO via terminals (processor 1)	Enable	Inhibit	2810
	03	Enable PROFIsafe (processor 1)	Enable	Inhibit	-
Dependency:	Refer to: r9771, p9801				
Note:	A change only becomes effective after a POWER ON. STO: Safe Torque Off				

p9610	SI PROFIsafe address (processor 1) / SI PROFIsafe P1		
G120C_DP	Access level: 3	Calculated: -	Data type: Unsigned16
G120C_PN	Can be changed: C(95)	Scaling: -	Dyn. index: -
	Units group: -	Unit selection: -	Func. diagram: -
	Min	Max	Factory setting
	0000 hex	FFFE hex	0000 hex
Description:	Sets the PROFIsafe address for processor 1.		
Dependency:	Refer to: p9810		
p9650	SI F-DI changeover discrepancy time (processor 1) / SI F-DI chg t P1		
	Access level: 3	Calculated: -	Data type: FloatingPoint32
	Can be changed: C(95)	Scaling: -	Dyn. index: -
	Units group: -	Unit selection: -	Func. diagram: 2810
	Min	Max	Factory setting
	0.00 [ms]	2000.00 [ms]	500.00 [ms]
Description:	Sets the discrepancy time for the changeover of the failsafe digital input for STO on processor 1. An F-DI changeover is not effective simultaneously due to the different runtimes in the two monitoring channels. After an F-DI changeover, dynamic data is not subject to a crosswise data comparison during this discrepancy time.		
Dependency:	Refer to: p9850		
Note:	For a crosswise data comparison between p9650 and p9850, a difference of one Safety monitoring clock cycle is tolerated. The parameterized time is rounded internally to an integer multiple of the monitoring clock cycle. F-DI: Failsafe Digital Input		
p9651	SI STO debounce time (processor 1) / SI STO t_debou P1		
	Access level: 3	Calculated: -	Data type: FloatingPoint32
	Can be changed: C(95)	Scaling: -	Dyn. index: -
	Units group: -	Unit selection: -	Func. diagram: -
	Min	Max	Factory setting
	0.00 [ms]	100.00 [ms]	1.00 [ms]
Description:	Sets the debounce time for the failsafe digital inputs used to control the "STO" function. The debounce time is rounded to whole milliseconds.		
Note:	The debounce time is rounded to whole milliseconds. It specifies the maximum duration of a fault pulse at the fail-safe digital inputs with no reaction/influence on the selection or deselection of the Safety Basic Functions. Example: Debounce time = 1 ms: Fault pulses of 1 ms are filtered; only pulses longer than 2 ms are processed. Debounce time = 3 ms: Fault pulses of 3 ms are filtered; only pulses longer than 4 ms are processed.		
p9659	SI forced checking procedure timer / SI FCP Timer		
	Access level: 3	Calculated: -	Data type: FloatingPoint32
	Can be changed: C(95)	Scaling: -	Dyn. index: -
	Units group: -	Unit selection: -	Func. diagram: 2810
	Min	Max	Factory setting
	0.00 [h]	9000.00 [h]	8.00 [h]
Description:	Sets the time interval for carrying out the forced checking procedure and testing the Safety shutdown paths. Within the parameterized time, STO must have been de-selected at least once. The monitoring time is reset each time that STO is de-selected.		
Note:	STO: Safe Torque Off		

r9660	SI forced checking procedure remaining time / SI frc chk remain		
	Access level: 3	Calculated: -	Data type: FloatingPoint32
	Can be changed: -	Scaling: -	Dyn. index: -
	Units group: -	Unit selection: -	Func. diagram: -
	Min	Max	Factory setting
	- [h]	- [h]	- [h]
Description:	Displays the time remaining before dynamization and testing of the safety shutdown paths (forced checking procedure).		
r9670	SI module identification Control Unit / Module ID CU		
	Access level: 3	Calculated: -	Data type: Unsigned32
	Can be changed: -	Scaling: -	Dyn. index: -
	Units group: -	Unit selection: -	Func. diagram: -
	Min	Max	Factory setting
	0	4294967295	-
Description:	CRC via Node Identifier of the Control Unit.		
Note:	CU: Control Unit		
r9672	SI module identifier Power Module / Module ID PM		
	Access level: 3	Calculated: -	Data type: Unsigned32
	Can be changed: -	Scaling: -	Dyn. index: -
	Units group: -	Unit selection: -	Func. diagram: -
	Min	Max	Factory setting
	0	4294967295	-
Description:	CRC via the Node Identifier of a Power Module.		
Note:	PM: Power Module		
p9700	SI copy function / SI copy function		
	Access level: 3	Calculated: -	Data type: Integer16
	Can be changed: C(95), U, T	Scaling: -	Dyn. index: -
	Units group: -	Unit selection: -	Func. diagram: -
	Min	Max	Factory setting
	0000 hex	00D0 hex	0000 hex
Description:	Setting to start the required copy function. After starting, the corresponding parameters are copied from processor 1 to processor 2. Once copying is complete, the parameter is automatically reset to zero.		
Value:	0: [00 hex] Copy function ended 29: [1D hex] Start copy function node identifier 87: [57 hex] Start copy function SI parameters 208: [D0 hex] Start copy function SI basic parameters		
Dependency:	Refer to: r3996		
Notice:	When the parameters are copied, short-term communication interruptions may occur.		
Note:	Re value = 57 hex and D0 hex: The value can only be set if the safety commissioning mode is set and the Safety Integrated password was entered. Re value = D0 hex: The following parameters are copied after starting the copy function: p9601 --> p9801, p9610 --> 9810, p9650 --> p9850, p9651 --> p9851		

p9701	Acknowledge SI data change / Ackn SI data		
	Access level: 3	Calculated: -	Data type: Integer16
	Can be changed: C(95), U, T	Scaling: -	Dyn. index: -
	Units group: -	Unit selection: -	Func. diagram: -
	Min	Max	Factory setting
	0000 hex	00EC hex	0000 hex
Description:	Setting to transfer the reference checksums from the associated actual checksums after changes (SI parameters, hardware). After transferring the reference checksums, parameters are automatically reset to zero.		
Value:	0: [00 hex] Data unchanged 172: [AC hex] Acknowledge data change complete 220: [DC hex] Acknowledge SI basic parameter change 236: [EC hex] Acknowledge hardware CRC		
Dependency:	Refer to: r9798, p9799, r9898, p9899		
Note:	Re value = AC and DC hex: These values can only be set if the safety commissioning mode is set and the Safety Integrated password was entered.		
p9761	SI password input / SI password inp		
	Access level: 3	Calculated: -	Data type: Unsigned32
	Can be changed: C, T	Scaling: -	Dyn. index: -
	Units group: -	Unit selection: -	Func. diagram: 2800
	Min	Max	Factory setting
	0000 hex	FFFF FFFF hex	0000 hex
Description:	Enters the Safety Integrated password.		
Note:	It is not possible to change Safety Integrated parameters until the Safety Integrated password has been entered.		
p9762	SI password new / SI password new		
	Access level: 3	Calculated: -	Data type: Unsigned32
	Can be changed: C(95)	Scaling: -	Dyn. index: -
	Units group: -	Unit selection: -	Func. diagram: 2800
	Min	Max	Factory setting
	0000 hex	FFFF FFFF hex	0000 hex
Description:	Enters a new Safety Integrated password.		
Dependency:	A change made to the Safety Integrated password must be acknowledged in the following parameter: Refer to: p9763		
p9763	SI password acknowledgement / SI ackn password		
	Access level: 3	Calculated: -	Data type: Unsigned32
	Can be changed: C(95)	Scaling: -	Dyn. index: -
	Units group: -	Unit selection: -	Func. diagram: 2800
	Min	Max	Factory setting
	0000 hex	FFFF FFFF hex	0000 hex
Description:	Acknowledges the new Safety Integrated password.		
Dependency:	Refer to: p9762		
Note:	The new password entered into p9762 must be re-entered in order to acknowledge. p9762 = p9763 = 0 is automatically set after the new Safety Integrated password has been successfully acknowledged.		

r9768[0...7]	SI PROFIsafe receive control words (processor 1) / SI Ps PZD recv P1		
G120C_DP	Access level: 3	Calculated: -	Data type: Unsigned16
G120C_PN	Can be changed: -	Scaling: -	Dyn. index: -
	Units group: -	Unit selection: -	Func. diagram: -
	Min	Max	Factory setting
	-	-	-
Description:	Displays the received PROFIsafe telegram on processor 1.		
Index:	[0] = PZD 1 [1] = PZD 2 [2] = PZD 3 [3] = PZD 4 [4] = PZD 5 [5] = PZD 6 [6] = PZD 7 [7] = PZD 8		
Dependency:	Refer to: r9769		
Note:	The PROFIsafe trailer at the end of the telegram is also displayed (2 words).		
r9769[0...7]	SI PROFIsafe send status words (processor 1) / SI Ps PZD send P1		
G120C_DP	Access level: 3	Calculated: -	Data type: Unsigned16
G120C_PN	Can be changed: -	Scaling: -	Dyn. index: -
	Units group: -	Unit selection: -	Func. diagram: -
	Min	Max	Factory setting
	-	-	-
Description:	Displays the PROFIsafe telegram to be sent on processor 1.		
Index:	[0] = PZD 1 [1] = PZD 2 [2] = PZD 3 [3] = PZD 4 [4] = PZD 5 [5] = PZD 6 [6] = PZD 7 [7] = PZD 8		
Dependency:	Refer to: r9768		
Note:	The PROFIsafe trailer at the end of the telegram is also displayed (2 words).		
r9770[0...3]	SI version drive-integrated safety function (processor 1) / SI version Drv P1		
	Access level: 3	Calculated: -	Data type: Unsigned16
	Can be changed: -	Scaling: -	Dyn. index: -
	Units group: -	Unit selection: -	Func. diagram: 2802
	Min	Max	Factory setting
	-	-	-
Description:	Displays the Safety Integrated version for the drive-integrated safety functions on processor 1.		
Index:	[0] = Safety Version (major release) [1] = Safety Version (minor release) [2] = Safety Version (baselevel or patch) [3] = Safety Version (hotfix)		
Note:	Example: r9770[0] = 2, r9770[1] = 60, r9770[2] = 1, r9770[3] = 0 --> Safety version V02.60.01.00		

r9771		SI common functions (processor 1) / SI general fct P1			
G120C_CAN	Access level: 3	Calculated: -	Data type: Unsigned32		
G120C_USS	Can be changed: -	Scaling: -	Dyn. index: -		
	Units group: -	Unit selection: -	Func. diagram: 2804		
	Min	Max	Factory setting		
	-	-	-		
Description:	Displays the supported Safety Integrated monitoring functions. Processor 1 determines this display.				
Bit field:	Bit	Signal name	1 signal	0 signal	FP
	00	STO supported via terminals	Yes	No	2804
Dependency:	Refer to: r9871				
Note:	STO: Safe Torque Off				
r9771		SI common functions (processor 1) / SI general fct P1			
G120C_DP	Access level: 3	Calculated: -	Data type: Unsigned32		
G120C_PN	Can be changed: -	Scaling: -	Dyn. index: -		
	Units group: -	Unit selection: -	Func. diagram: 2804		
	Min	Max	Factory setting		
	-	-	-		
Description:	Displays the supported Safety Integrated monitoring functions. Processor 1 determines this display.				
Bit field:	Bit	Signal name	1 signal	0 signal	FP
	00	STO supported via terminals	Yes	No	2804
	06	Basic Functions PROFIsafe supported	Yes	No	-
Dependency:	Refer to: r9871				
Note:	STO: Safe Torque Off				
r9772.0...21		CO/BO: SI status (processor 1) / SI status P1			
	Access level: 2	Calculated: -	Data type: Unsigned32		
	Can be changed: -	Scaling: -	Dyn. index: -		
	Units group: -	Unit selection: -	Func. diagram: 2804		
	Min	Max	Factory setting		
	-	-	-		
Description:	Displays the Safety Integrated status on processor 1.				
Bit field:	Bit	Signal name	1 signal	0 signal	FP
	00	STO selected on processor 1	Yes	No	2810
	01	STO active on processor 1	Yes	No	2810
	07	STO terminal state on processor 1 (Basic Functions)	High	Low	-
	09	STOP A cannot be acknowledged active	Yes	No	2802
	10	STOP A active	Yes	No	2802
	15	STOP F active	Yes	No	2802
	16	STO cause: Safety comm. mode	Yes	No	-
	17	STO cause selection via terminal (Basic Functions)	Yes	No	-
	18	STO cause: Selection via motion monitoring functions	Yes	No	-
	19	STO cause actual value missing	Yes	No	-
	20	STO cause selection PROFIsafe or TM54F (Basic Functions)	Yes	No	-
	21	STO cause selection on the other monitoring channel	Yes	No	-
Dependency:	Refer to: r9872				
Note:	Re bit 00: When STO is selected, the cause is displayed in bits 16 ... 21.				

2 Parameters

2.2 List of parameters

Re bit 18:

When the bit is set, STO is selected via PROFIsafe.

Re bit 19:

For the drive-integrated motion monitoring functions, due to OFF2, no actual value sensing possible.

r9773.0...31	CO/BO: SI status (processor 1 + processor 2) / SI status P1+P2		
	Access level: 2	Calculated: -	Data type: Unsigned32
	Can be changed: -	Scaling: -	Dyn. index: -
	Units group: -	Unit selection: -	Func. diagram: 2804
	Min	Max	Factory setting
	-	-	-

Description: Displays the Safety Integrated status on the drive (processor 1 + processor 2).

Bit field:	Bit	Signal name	1 signal	0 signal	FP
	00	STO selected in drive	Yes	No	2804
	01	STO active in drive	Yes	No	2804
	31	Shutdown paths must be tested	Yes	No	2810

Note: This status is formed from the AND operation of the relevant status of the two monitoring channels.

r9776	SI diagnostics / SI diag		
	Access level: 3	Calculated: -	Data type: Unsigned32
	Can be changed: -	Scaling: -	Dyn. index: -
	Units group: -	Unit selection: -	Func. diagram: -
	Min	Max	Factory setting
	-	-	-

Description: The parameter is used for diagnostics.

Bit field:	Bit	Signal name	1 signal	0 signal	FP
	00	Safety parameter changed POWER ON required	Yes	No	-
	01	Safety functions enabled	Yes	No	-
	02	Safety component replaced and data save required	Yes	No	-

Note: Re bit 00 = 1:

At least one Safety parameter has been changed that will only take effect after a POWER ON.

Re bit 01 = 1:

Safety functions (basic functions or extended functions) have been enabled and are active.

Re bit 02 = 1:

A safety-relevant component has been replaced. Data save required (p0977 = 1 or p0971 = 1 or "copy RAM to ROM").

r9780	SI monitoring clock cycle (processor 1) / SI mon_clk cyc P1		
	Access level: 3	Calculated: -	Data type: FloatingPoint32
	Can be changed: -	Scaling: -	Dyn. index: -
	Units group: -	Unit selection: -	Func. diagram: 2802
	Min	Max	Factory setting
	- [ms]	- [ms]	- [ms]

Description: Displays the clock cycle time for the Safety Integrated Basic Functions on processor 1.

Note: Information regarding the relationship between monitoring clock cycle and response times can be found in the following references:

- SINAMICS G120 Function Manual Safety Integrated
- technical documentation for the particular product

r9781[0...1]	SI checksum to check changes (processor 1) / SI chg chksm P1		
	Access level: 3	Calculated: -	Data type: Unsigned32
	Can be changed: -	Scaling: -	Dyn. index: -
	Units group: -	Unit selection: -	Func. diagram: -
	Min	Max	Factory setting
	-	-	-
Description:	Displays the checksum for tracking changes for Safety Integrated. These are additional checksums that are created to track changes (fingerprint for the "safety logbook" functionality) to safety parameters (that are relevant for checksums).		
Index:	[0] = SI checksum to track functional changes [1] = SI checksum to track hardware-specific changes		
Dependency:	Refer to: p9601, p9799		
r9782[0...1]	SI time stamp to check changes (processor 1) / SI chg t P1		
	Access level: 3	Calculated: -	Data type: FloatingPoint32
	Can be changed: -	Scaling: -	Dyn. index: -
	Units group: -	Unit selection: -	Func. diagram: -
	Min	Max	Factory setting
	- [h]	- [h]	- [h]
Description:	Displays the time stamps for the checksums for tracking changes for Safety Integrated. The time stamps for the checksums for tracking changes (fingerprint for the "safety logbook" functionality) made to safety parameters are saved in parameters p9781[0] and p9781[1].		
Index:	[0] = SI time stamp for checksum to track functional changes [1] = SI time stamp for checksum to track hardware-specific changes		
Dependency:	Refer to: p9601, p9799		
r9794[0...19]	SI crosswise comparison list (processor 1) / SI CDC_list P1		
	Access level: 3	Calculated: -	Data type: Unsigned16
	Can be changed: -	Scaling: -	Dyn. index: -
	Units group: -	Unit selection: -	Func. diagram: 2802
	Min	Max	Factory setting
	-	-	-
Description:	Displays the numbers of the data items that are currently being compared crosswise on processor 1. The content of the list of crosswise-compared data is dependent upon the particular application.		
Note:	Example: r9794[0] = 1 (monitoring clock cycle) r9794[1] = 2 (enable safety functions) r9794[2] = 3 (F-DI changeover, tolerance time) ... A complete list of numbers for crosswise-compared data items appears in fault F01611.		
r9795	SI diagnostics STOP F (processor 1) / SI diag STOP F P1		
	Access level: 2	Calculated: -	Data type: Unsigned32
	Can be changed: -	Scaling: -	Dyn. index: -
	Units group: -	Unit selection: -	Func. diagram: 2802
	Min	Max	Factory setting
	-	-	-
Description:	Displays the number of the cross-compared data item which caused STOP F on processor 1.		
Note:	A complete list of numbers for crosswise-compared data items appears in fault F01611.		

r9798	SI actual checksum SI parameters (processor 1) / SI act chksm P1		
	Access level: 3	Calculated: -	Data type: Unsigned32
	Can be changed: -	Scaling: -	Dyn. index: -
	Units group: -	Unit selection: -	Func. diagram: 2800
	Min	Max	Factory setting
	-	-	-
Description:	Displays the checksum for the Safety Integrated parameters checked using checksums on processor 1 (actual checksum).		
Dependency:	Refer to: p9799, r9898		

p9799	SI setpoint checksum SI parameters (processor 1) / SI setp_chksm P1		
	Access level: 3	Calculated: -	Data type: Unsigned32
	Can be changed: C(95)	Scaling: -	Dyn. index: -
	Units group: -	Unit selection: -	Func. diagram: 2800
	Min	Max	Factory setting
	0000 hex	FFFF FFFF hex	0000 hex
Description:	Sets the checksum for the Safety Integrated parameters checked using checksums on processor 1 (setpoint checksum).		
Dependency:	Refer to: r9798, p9899		

p9801	SI enable functions integrated in the drive (processor 2) / SI enable fct P2			
G120C_CAN	Access level: 3	Calculated: -	Data type: Unsigned16	
G120C_USS	Can be changed: C(95)	Scaling: -	Dyn. index: -	
	Units group: -	Unit selection: -	Func. diagram: -	
	Min	Max	Factory setting	
	-	-	0000 bin	
Description:	Sets the enable signals for the safety functions integrated in the drive and the type of selection on processor 1. Not all of the settings listed below will be permissible, depending on the Control Unit and Power Module being used: 0000 hex: Safety functions integrated in the drive inhibited (no safety function). 0001 hex: Basic functions are enabled via onboard terminals (permissible for r9771.0 = 1).			
Bit field:	Bit	Signal name	1 signal	0 signal
	00	Enable STO via terminals (processor 2)	Enable	Inhibit
				FP 2810
Dependency:	Refer to: p9601, r9871			
Notice:	This parameter is overwritten by the copy function of the safety functions integrated in the drive.			
Note:	A change only becomes effective after a POWER ON. STO: Safe Torque Off			

p9801	SI enable functions integrated in the drive (processor 2) / SI enable fct P2		
G120C_DP	Access level: 3	Calculated: -	Data type: Unsigned16
G120C_PN	Can be changed: C(95)	Scaling: -	Dyn. index: -
	Units group: -	Unit selection: -	Func. diagram: -
	Min	Max	Factory setting
	-	-	0000 bin
Description:	Sets the enable signals for the safety functions integrated in the drive and the type of selection on processor 1. Not all of the settings listed below will be permissible, depending on the Control Unit and Power Module being used: 0000 hex: Safety functions integrated in the drive inhibited (no safety function). 0001 hex: Basic functions are enabled via onboard terminals (permissible for r9771.0 = 1). 0008 hex: Basic functions are enabled via PROFIsafe (permissible for r9771.6 = 1).		

0009 hex:

Basic functions are enabled via PROFIsafe onboard terminals (permissible for r9771.6 = 1).

Bit field:	Bit	Signal name	1 signal	0 signal	FP
	00	Enable STO via terminals (processor 2)	Enable	Inhibit	2810
	03	Enable PROFIsafe (processor 2)	Enable	Inhibit	-

Dependency: Refer to: p9601, r9871

Notice: This parameter is overwritten by the copy function of the safety functions integrated in the drive.

Note: A change only becomes effective after a POWER ON.

STO: Safe Torque Off

p9810		SI PROFIsafe address (processor 2) / SI PROFIsafe P2		
G120C_DP	Access level: 3	Calculated: -	Data type: Unsigned16	
G120C_PN	Can be changed: C(95)	Scaling: -	Dyn. index: -	
	Units group: -	Unit selection: -	Func. diagram: -	
	Min	Max	Factory setting	
	0000 hex	FFFE hex	0000 hex	

Description: Sets the PROFIsafe address on processor 2.

Notice: This parameter is overwritten by the copy function of the safety functions integrated in the drive.

p9850		SI F-DI changeover discrepancy time (processor 2) / SI F-DI chg t P2		
	Access level: 3	Calculated: -	Data type: FloatingPoint32	
	Can be changed: C(95)	Scaling: -	Dyn. index: -	
	Units group: -	Unit selection: -	Func. diagram: 2810	
	Min	Max	Factory setting	
	0.00 [µs]	2000000.00 [µs]	500000.00 [µs]	

Description: Sets the discrepancy time for the changeover of the failsafe digital input for STO on processor 2.
An F-DI changeover is not effective simultaneously due to the different runtimes in the two monitoring channels. After an F-DI changeover, dynamic data is not subject to a crosswise data comparison during this discrepancy time.

Dependency: Refer to: p9650

Notice: This parameter is overwritten by the copy function of the safety functions integrated in the drive.

Note: For a crosswise data comparison between p9650 and p9850, a difference of one Safety monitoring clock cycle is tolerated.

The parameterized time is rounded internally to an integer multiple of the monitoring clock cycle.

F-DI: Failsafe Digital Input

p9851		SI STO debounce time (processor 2) / SI STO t_debou P2		
	Access level: 3	Calculated: -	Data type: FloatingPoint32	
	Can be changed: C(95)	Scaling: -	Dyn. index: -	
	Units group: -	Unit selection: -	Func. diagram: -	
	Min	Max	Factory setting	
	0.00 [µs]	100000.00 [µs]	0.00 [µs]	

Description: Sets the debounce time for the failsafe digital inputs used to control the "STO" function.

The debounce time is rounded to whole milliseconds.

Dependency: Refer to: p9651

Notice: This parameter is overwritten by the copy function of the safety functions integrated in the drive.

Note: Rounding effects can occur in the last decimal place of the parameterized time.

The debounce time is rounded to whole milliseconds. It specifies the maximum duration of a fault pulse at the fail-safe digital inputs with no reaction/influence on the selection or deselection of the Safety Basic Functions.

Example:

Debounce time = 1 ms: Fault pulses of 1 ms are filtered; only pulses longer than 2 ms are processed.

Debounce time = 3 ms: Fault pulses of 3 ms are filtered; only pulses longer than 4 ms are processed.

2 Parameters

2.2 List of parameters

r9871	SI common functions (processor 2) / SI common fct P2				
G120C_CAN	Access level: 3	Calculated: -	Data type: Unsigned32		
G120C_USS	Can be changed: -	Scaling: -	Dyn. index: -		
	Units group: -	Unit selection: -	Func. diagram: 2804		
	Min	Max	Factory setting		
	-	-	-		
Description:	Displays the supported Safety Integrated monitoring functions. Processor 2 determines this display.				
Bit field:	Bit	Signal name	1 signal	0 signal	FP
	00	STO supported via terminals	Yes	No	2804
Dependency:	Refer to: r9771				
Note:	STO: Safe Torque Off				
r9871	SI common functions (processor 2) / SI common fct P2				
G120C_DP	Access level: 3	Calculated: -	Data type: Unsigned32		
G120C_PN	Can be changed: -	Scaling: -	Dyn. index: -		
	Units group: -	Unit selection: -	Func. diagram: 2804		
	Min	Max	Factory setting		
	-	-	-		
Description:	Displays the supported Safety Integrated monitoring functions. Processor 2 determines this display.				
Bit field:	Bit	Signal name	1 signal	0 signal	FP
	00	STO supported via terminals	Yes	No	2804
	06	Basic Functions PROFIsafe supported	Yes	No	-
Dependency:	Refer to: r9771				
Note:	STO: Safe Torque Off				
r9872.0...21	CO/BO: SI status (processor 2) / SI Status P2				
	Access level: 2	Calculated: -	Data type: Unsigned32		
	Can be changed: -	Scaling: -	Dyn. index: -		
	Units group: -	Unit selection: -	Func. diagram: 2804		
	Min	Max	Factory setting		
	-	-	-		
Description:	Displays the Safety Integrated status on processor 2.				
Bit field:	Bit	Signal name	1 signal	0 signal	FP
	00	STO selected on processor 2	Yes	No	2810
	01	STO active on processor 2	Yes	No	2810
	07	STO terminal state on processor 2 (Basic Functions)	High	Low	-
	09	STOP A cannot be acknowledged active	Yes	No	2802
	10	STOP A active	Yes	No	2802
	15	STOP F active	Yes	No	2802
	16	STO cause: Safety comm. mode	Yes	No	-
	17	STO cause selection via terminal (Basic Functions)	Yes	No	-
	18	STO cause: Selection via motion monitoring functions	Yes	No	-
	20	STO cause selection PROFIsafe or TM54F (Basic Functions)	Yes	No	-
	21	STO cause selection on the other monitoring channel	Yes	No	-
Dependency:	Refer to: r9772				
Note:	Re bit 00: When STO is selected, the cause is displayed in bits 16 ... 21.				

Re bit 18:

When the bit is set, STO is selected via PROFIsafe.

r9898	SI actual checksum SI parameters (processor 2) / SI act_chksm P2		
	Access level: 3	Calculated: -	Data type: Unsigned32
	Can be changed: -	Scaling: -	Dyn. index: -
	Units group: -	Unit selection: -	Func. diagram: 2800
	Min	Max	Factory setting
	-	-	-
Description:	Displays the checksum for the Safety Integrated parameters checked using checksums on processor 2 (actual checksum).		
Dependency:	Refer to: r9798, p9899		

p9899	SI setpoint checksum SI parameters (processor 2) / SI setp_chksm P2		
	Access level: 3	Calculated: -	Data type: Unsigned32
	Can be changed: C(95)	Scaling: -	Dyn. index: -
	Units group: -	Unit selection: -	Func. diagram: 2800
	Min	Max	Factory setting
	0000 hex	FFFF FFFF hex	0000 hex
Description:	Sets the checksum for the Safety Integrated parameters checked using checksums on processor 2 (setpoint checksum).		
Dependency:	Refer to: p9799, r9898		

r9976[0...7]	System utilization / Sys util		
	Access level: 3	Calculated: -	Data type: FloatingPoint32
	Can be changed: -	Scaling: -	Dyn. index: -
	Units group: -	Unit selection: -	Func. diagram: -
	Min	Max	Factory setting
	- [%]	- [%]	- [%]
Description:	Displays the system utilization. If the utilization is greater than 100%, fault F01054 is output.		
Index:	[0] = Reserved [1] = Computing time utilization [2] = Reserved [3] = Reserved [4] = Reserved [5] = Largest total utilization [6] = Reserved [7] = Reserved		
Note:	Re index 1: The value shows the total computing time load of the system. Re index 5: The total utilization is determined using all sampling times used. The largest total utilization is mapped here. The sampling time with the largest total utilization is displayed in r9979. Total utilization: Computing time load of sampling time involved including load from higher-priority sampling times (interrupts).		

p60022	PROFIsafe telegram selection / Ps telegram_sel		
G120C_DP	Access level: 3	Calculated: -	Data type: Unsigned16
G120C_PN	Can be changed: T	Scaling: -	Dyn. index: -
	Units group: -	Unit selection: -	Func. diagram: -
	Min	Max	Factory setting
	0	998	998
Description:	Sets the telegram number for PROFIsafe.		

2 Parameters

2.2 List of parameters

Value:	0: No PROFIsafe telegram selected 30: PROFIsafe standard telegram 30, PZD-1/1 998: Compatibility mode (as for firmware version < 4.6)
Note:	For p9601.3 = p9801.3 = 1 (PROFIsafe enabled), the following variants exist when parameterizing PROFIsafe telegram 30: - p9611 = p9811 = 998 and p60022 = 0 - p9611 = p9811 = 998 and p60022 = 30 - p9611 = p9811 = 30 and p60022 = 30

r61000[0...239]	PROFINET Name of Station / PN Name of Station		
G120C_PN	Access level: 3	Calculated: -	Data type: Unsigned8
	Can be changed: -	Scaling: -	Dyn. index: -
	Units group: -	Unit selection: -	Func. diagram: 2410
	Min	Max	Factory setting
	-	-	-
Description:	Displays PROFINET Name of Station.		
Notice:	An ASCII table (excerpt) can be found, for example, in the appendix to the List Manual.		

r61001[0...3]	PROFINET IP of Station / PN IP of Station		
G120C_PN	Access level: 3	Calculated: -	Data type: Unsigned8
	Can be changed: -	Scaling: -	Dyn. index: -
	Units group: -	Unit selection: -	Func. diagram: 2410
	Min	Max	Factory setting
	-	-	-
Description:	Displays PROFINET IP of Station.		

2.3 Parameters for data sets

2.3.1 Command Data Set (CDS)

Product: SINAMICS G120C, Version: 4702900, Language: eng, Type: CDS

p0820[0...n]	Bl: Drive Data Set selection DDS bit 0 / DDS select., bit 0
p0840[0...n]	Bl: ON / OFF (OFF1) / ON / OFF (OFF1)
p0844[0...n]	Bl: No coast-down / coast-down (OFF2) signal source 1 / OFF2 S_src 1
p0845[0...n]	Bl: No coast-down / coast-down (OFF2) signal source 2 / OFF2 S_src 2
p0848[0...n]	Bl: No Quick Stop / Quick Stop (OFF3) signal source 1 / OFF3 S_src 1
p0849[0...n]	Bl: No Quick Stop / Quick Stop (OFF3) signal source 2 / OFF3 S_src 2
p0852[0...n]	Bl: Enable operation/inhibit operation / Operation enable
p0854[0...n]	Bl: Control by PLC/no control by PLC / Master ctrl by PLC
p0855[0...n]	Bl: Unconditionally release holding brake / Uncond open brake
p0856[0...n]	Bl: Speed controller enable / n_ctrl enable
p0858[0...n]	Bl: Unconditionally close holding brake / Uncond close brake
p1000[0...n]	Speed setpoint selection / n_set sel
p1020[0...n]	Bl: Fixed speed setpoint selection Bit 0 / n_set_fixed Bit 0
p1021[0...n]	Bl: Fixed speed setpoint selection Bit 1 / n_set_fixed Bit 1
p1022[0...n]	Bl: Fixed speed setpoint selection Bit 2 / n_set_fixed Bit 2
p1023[0...n]	Bl: Fixed speed setpoint selection Bit 3 / n_set_fixed Bit 3
p1035[0...n]	Bl: Motorized potentiometer setpoint raise / Mop raise
p1036[0...n]	Bl: Motorized potentiometer lower setpoint / Mop lower
p1043[0...n]	Bl: Motorized potentiometer accept setting value / MotP acc set val
p1044[0...n]	Cl: Motorized potentiometer setting value / Mop set val
p1055[0...n]	Bl: Jog bit 0 / Jog bit 0
p1056[0...n]	Bl: Jog bit 1 / Jog bit 1
p1070[0...n]	Cl: Main setpoint / Main setpoint
p1071[0...n]	Cl: Main setpoint scaling / Main setp scal
p1075[0...n]	Cl: Supplementary setpoint / Suppl setp
p1076[0...n]	Cl: Supplementary setpoint scaling / Suppl setp scal
p1106[0...n]	Cl: Minimum speed signal source / n_min s_src
p1110[0...n]	Bl: Inhibit negative direction / Inhib neg dir
p1111[0...n]	Bl: Inhibit positive direction / Inhib pos dir
p1113[0...n]	Bl: Setpoint inversion / Setp inv
p1138[0...n]	Cl: Ramp-function generator ramp-up time scaling / RFG t_RU scal
p1139[0...n]	Cl: Ramp-function generator ramp-down time scaling / RFG t_RD scal
p1140[0...n]	Bl: Enable ramp-function generator/inhibit ramp-function generator / RFG enable
p1141[0...n]	Bl: Continue ramp-function generator/freeze ramp-function generator / Continue RFG
p1142[0...n]	Bl: Enable setpoint/inhibit setpoint / Setpoint enable
p1201[0...n]	Bl: Flying restart enable signal source / Fly_res enab S_src
p1230[0...n]	Bl: DC braking activation / DC brake act
p1330[0...n]	Cl: U/f control independent voltage setpoint / Uf U_set independ.
p1352[0...n]	Cl: Motor holding brake starting frequency signal source / Brake f_start
p1475[0...n]	Cl: Speed controller torque setting value for motor holding brake / n_ctrl M_sv MHB
p1502[0...n]	Bl: Freeze moment of inertia estimator / J_estim freeze
p1511[0...n]	Cl: Supplementary torque 1 / M_suppl 1
p1522[0...n]	Cl: Torque limit upper / M_max upper
p1523[0...n]	Cl: Torque limit lower / M_max lower
p1552[0...n]	Cl: Torque limit upper scaling without offset / M_max up w/o offs
p1554[0...n]	Cl: Torque limit lower scaling without offset / M_max low w/o offs
p2103[0...n]	Bl: 1. Acknowledge faults / 1. Acknowledge
p2104[0...n]	Bl: 2. Acknowledge faults / 2. Acknowledge

p2106[0...n]	BI: External fault 1 / External fault 1
p2112[0...n]	BI: External alarm 1 / External alarm 1
p2200[0...n]	BI: Technology controller enable / Tec_ctrl enable
p2220[0...n]	BI: Technology controller fixed value selection bit 0 / Tec_ctrl sel bit 0
p2221[0...n]	BI: Technology controller fixed value selection bit 1 / Tec_ctrl sel bit 1
p2222[0...n]	BI: Technology controller fixed value selection bit 2 / Tec_ctrl sel bit 2
p2223[0...n]	BI: Technology controller fixed value selection bit 3 / Tec_ctrl sel bit 3
p2235[0...n]	BI: Technology controller motorized potentiometer raise setpoint / Tec_ctrl mop raise
p2236[0...n]	BI: Technology controller motorized potentiometer lower setpoint / Tec_ctrl mop lower
p2253[0...n]	CI: Technology controller setpoint 1 / Tec_ctrl setp 1
p2254[0...n]	CI: Technology controller setpoint 2 / Tec_ctrl setp 2
p2264[0...n]	CI: Technology controller actual value / Tec_ctrl act val
p2286[0...n]	BI: Hold technology controller integrator / Tec_ctr integ hold
p2289[0...n]	CI: Technology controller pre-control signal / Tec_ctr prectr_sig
p2296[0...n]	CI: Technology controller output scaling / Tec_ctrl outp scal
p2297[0...n]	CI: Technology controller maximum limit signal source / Tec_ctrMaxLimS_src
p2298[0...n]	CI: Technology controller minimum limit signal source / Tec_ctrl min_l s_s
p2299[0...n]	CI: Technology controller limit offset / Tech_ctrl lim offs
p3330[0...n]	BI: 2/3 wire control command 1 / 2/3 wire cmd 1
p3331[0...n]	BI: 2/3 wire control command 2 / 2/3 wire cmd 2
p3332[0...n]	BI: 2/3 wire control command 3 / 2/3 wire cmd 3

2.3.2 Drive Data Sets (DDS)

Product: SINAMICS G120C, Version: 4702900, Language: eng, Type: DDS

p0340[0...n]	Automatic calculation motor/control parameters / Calc auto par
p0640[0...n]	Current limit / Current limit
p1001[0...n]	CO: Fixed speed setpoint 1 / n_set_fixed 1
p1002[0...n]	CO: Fixed speed setpoint 2 / n_set_fixed 2
p1003[0...n]	CO: Fixed speed setpoint 3 / n_set_fixed 3
p1004[0...n]	CO: Fixed speed setpoint 4 / n_set_fixed 4
p1005[0...n]	CO: Fixed speed setpoint 5 / n_set_fixed 5
p1006[0...n]	CO: Fixed speed setpoint 6 / n_set_fixed 6
p1007[0...n]	CO: Fixed speed setpoint 7 / n_set_fixed 7
p1008[0...n]	CO: Fixed speed setpoint 8 / n_set_fixed 8
p1009[0...n]	CO: Fixed speed setpoint 9 / n_set_fixed 9
p1010[0...n]	CO: Fixed speed setpoint 10 / n_set_fixed 10
p1011[0...n]	CO: Fixed speed setpoint 11 / n_set_fixed 11
p1012[0...n]	CO: Fixed speed setpoint 12 / n_set_fixed 12
p1013[0...n]	CO: Fixed speed setpoint 13 / n_set_fixed 13
p1014[0...n]	CO: Fixed speed setpoint 14 / n_set_fixed 14
p1015[0...n]	CO: Fixed speed setpoint 15 / n_set_fixed 15
p1030[0...n]	Motorized potentiometer configuration / Mop configuration
p1037[0...n]	Motorized potentiometer maximum speed / MotP n_max
p1038[0...n]	Motorized potentiometer minimum speed / MotP n_min
p1040[0...n]	Motorized potentiometer starting value / Mop start value
p1047[0...n]	Motorized potentiometer ramp-up time / Mop ramp-up time
p1048[0...n]	Motorized potentiometer ramp-down time / Mop ramp-down time
p1058[0...n]	Jog 1 speed setpoint / Jog 1 n_set
p1059[0...n]	Jog 2 speed setpoint / Jog 2 n_set
p1080[0...n]	Minimum speed / n_min
p1082[0...n]	Maximum speed / n_max
p1083[0...n]	CO: Speed limit in positive direction of rotation / n_limit pos
p1086[0...n]	CO: Speed limit in negative direction of rotation / n_limit neg

p1091[0...n]	Skip speed 1 / n_skip 1
p1092[0...n]	Skip speed 2 / n_skip 2
p1101[0...n]	Skip speed bandwidth / n_skip bandwidth
p1120[0...n]	Ramp-function generator ramp-up time / RFG ramp-up time
p1121[0...n]	Ramp-function generator ramp-down time / RFG ramp-down time
p1130[0...n]	Ramp-function generator initial rounding-off time / RFG t_start_round
p1131[0...n]	Ramp-function generator final rounding-off time / RFG t_end_delay
p1134[0...n]	Ramp-function generator rounding-off type / RFG round-off type
p1135[0...n]	OFF3 ramp-down time / OFF3 t_RD
p1136[0...n]	OFF3 initial rounding-off time / RFGOFF3 t_strt_rnd
p1137[0...n]	OFF3 final rounding-off time / RFG OFF3 t_end_del
p1200[0...n]	Flying restart operating mode / FlyRest op_mode
p1202[0...n]	Flying restart search current / FlyRest I_srch
p1203[0...n]	Flying restart search rate factor / FlyRst v_Srch Fact
p1240[0...n]	Vdc controller configuration (vector control) / Vdc ctr config vec
p1243[0...n]	Vdc_max controller dynamic factor / Vdc_max dyn_factor
p1245[0...n]	Vdc_min controller switch-in level (kinetic buffering) / Vdc_min on_level
p1247[0...n]	Vdc_min controller dynamic factor (kinetic buffering) / Vdc_min dyn_factor
p1249[0...n]	Vdc_max controller speed threshold / Vdc_max n_thresh
p1250[0...n]	Vdc controller proportional gain / Vdc_ctrl Kp
p1251[0...n]	Vdc controller integral time / Vdc_ctrl Tn
p1252[0...n]	Vdc controller rate time / Vdc_ctrl t_rate
p1255[0...n]	Vdc_min controller time threshold / Vdc_min t_thresh
p1256[0...n]	Vdc_min controller response (kinetic buffering) / Vdc_min response
p1257[0...n]	Vdc_min controller speed threshold / Vdc_min n_thresh
p1271[0...n]	Flying restart maximum frequency for the inhibited direction / FlyRes f_max dir
p1280[0...n]	Vdc controller configuration (U/f) / Vdc_ctr config U/f
p1283[0...n]	Vdc_max controller dynamic factor (U/f) / Vdc_max dyn_factor
p1284[0...n]	Vdc_max controller time threshold (U/f) / Vdc_max t_thresh
p1290[0...n]	Vdc controller proportional gain (U/f) / Vdc_ctrl Kp
p1291[0...n]	Vdc controller integral time (U/f) / Vdc_ctrl Tn
p1292[0...n]	Vdc controller rate time (U/f) / Vdc_ctrl t_rate
p1300[0...n]	Open-loop/closed-loop control operating mode / Op/cl-lp ctrl_mode
p1302[0...n]	U/f control configuration / U/f config
p1310[0...n]	Starting current (voltage boost) permanent / I_start (Ua) perm
p1311[0...n]	Starting current (voltage boost) when accelerating / I_start accel
p1312[0...n]	Starting current (voltage boost) when starting / I_start start
p1320[0...n]	U/f control programmable characteristic frequency 1 / Uf char f1
p1321[0...n]	U/f control programmable characteristic voltage 1 / Uf char U1
p1322[0...n]	U/f control programmable characteristic frequency 2 / Uf char f2
p1323[0...n]	U/f control programmable characteristic voltage 2 / Uf char U2
p1324[0...n]	U/f control programmable characteristic frequency 3 / Uf char f3
p1325[0...n]	U/f control programmable characteristic voltage 3 / Uf char U3
p1326[0...n]	U/f control programmable characteristic frequency 4 / Uf char f4
p1327[0...n]	U/f control programmable characteristic voltage 4 / Uf char U4
p1331[0...n]	Voltage limiting / U_lim
p1334[0...n]	U/f control slip compensation starting frequency / Slip comp start
p1335[0...n]	Slip compensation scaling / Slip comp scal
p1336[0...n]	Slip compensation limit value / Slip comp lim val
p1338[0...n]	U/f mode resonance damping gain / Uf Res_damp gain
p1340[0...n]	I_max frequency controller proportional gain / I_max_ctrl Kp
p1341[0...n]	I_max frequency controller integral time / I_max_ctrl Tn
p1345[0...n]	I_max voltage controller proportional gain / I_max_U_ctrl Kp
p1346[0...n]	I_max voltage controller integral time / I_max_U_ctrl Tn
p1349[0...n]	U/f mode resonance damping maximum frequency / Uf res_damp f_max

2 Parameters

2.3 Parameters for data sets

p1351[0...n]	CO: Motor holding brake starting frequency / Brake f_start
p1452[0...n]	Speed controller speed actual value smoothing time (sensorless) / n_C n_act T_s SL
p1470[0...n]	Speed controller encoderless operation P-gain / n_ctrl SL Kp
p1472[0...n]	Speed controller encoderless operation integral time / n_ctrl SL Tn
p1496[0...n]	Acceleration pre-control scaling / a_prectrl scal
p1498[0...n]	Load moment of inertia / Load M_inertia
p1517[0...n]	Accelerating torque smoothing time constant / M_accel T_smooth
p1520[0...n]	CO: Torque limit upper / M_max upper
p1521[0...n]	CO: Torque limit lower / M_max lower
p1524[0...n]	CO: Torque limit upper scaling / M_max upper scal
p1525[0...n]	CO: Torque limit lower scaling / M_max lower scal
p1530[0...n]	Power limit motoring / P_max mot
p1531[0...n]	Power limit regenerative / P_max gen
p1553[0...n]	Stall limit scaling / Stall limit scal
p1560[0...n]	Moment of inertia estimator accelerating torque threshold value / J_est M thresh
p1561[0...n]	Moment of inertia estimator change time moment of inertia / J_est t J
p1562[0...n]	Moment of inertia estimator change time load / J_est t load
p1563[0...n]	CO: Mom. of inertia estimator load torque direction of rotation pos. / J_est M pos
p1564[0...n]	CO: Mom. of inertia estimator load torque direction of rotation neg. / J_est M neg
p1570[0...n]	CO: Flux setpoint / Flex setp
p1580[0...n]	Efficiency optimization / Efficiency opt.
p1582[0...n]	Flux setpoint smoothing time / Flux setp T_smth
p1586[0...n]	Field weakening characteristic scaling / Field weak scal
p1590[0...n]	Flux controller P gain / Flux controller Kp
p1610[0...n]	Torque setpoint static (sensorless) / M_set static
p1611[0...n]	Additional acceleration torque (sensorless) / M_suppl_accel
p1616[0...n]	Current setpoint smoothing time / I_set T_smooth
p1730[0...n]	Isd controller integral component shutdown threshold / Isd ctrl Tn shutd
p1745[0...n]	Motor model error threshold stall detection / MotMod ThreshStall
p1749[0...n]	Motor model increase changeover speed encoderless operation / Incr n_chng no enc
p1755[0...n]	Motor model changeover speed encoderless operation / MotMod n_chgSnsorl
p1764[0...n]	Motor model without encoder speed adaptation Kp / MotMod woE n_adaKp
p1767[0...n]	Motor model without encoder speed adaptation Tn / MotMod woE n_adaTn
p1780[0...n]	Motor model adaptation configuration / MotMod adapt conf
p1784[0...n]	Motor model feedback scaling / MotMod fdbk scal
r1787[0...n]	Motor model Lh adaptation corrective value / MotMod Lh corr
p1800[0...n]	Pulse frequency setpoint / Pulse freq setp
p1802[0...n]	Modulator mode / Modulator mode
p1803[0...n]	Maximum modulation depth / Modulat depth max
p1806[0...n]	Filter time constant Vdc correction / T_filt Vdc_corr
p1820[0...n]	Reverse the output phase sequence / Outp_ph_seq rev
p1959[0...n]	Rotating measurement configuration / Rot meas config
p2141[0...n]	Speed threshold 1 / n_thresh val 1
p2153[0...n]	Speed actual value filter time constant / n_act_filt T
p2156[0...n]	On delay comparison value reached / t_on cmpr val rchd
p2170[0...n]	Current threshold value / I_thres
p2171[0...n]	Current threshold value reached delay time / I_thresh rch t_del
p2174[0...n]	Torque threshold value 1 / M_thresh val 1
p2194[0...n]	Torque threshold value 2 / M_thresh val 2
p2195[0...n]	Torque utilization switch-off delay / M_util t_off
p2201[0...n]	CO: Technology controller fixed value 1 / Tec_ctrl fix val1
p2202[0...n]	CO: Technology controller fixed value 2 / Tec_ctr fix val 2
p2203[0...n]	CO: Technology controller fixed value 3 / Tec_ctr fix val 3
p2204[0...n]	CO: Technology controller fixed value 4 / Tec_ctr fix val 4
p2205[0...n]	CO: Technology controller fixed value 5 / Tec_ctr fix val 5

p2206[0...n]	CO: Technology controller fixed value 6 / Tec_ctr fix val 6
p2207[0...n]	CO: Technology controller fixed value 7 / Tec_ctr fix val 7
p2208[0...n]	CO: Technology controller fixed value 8 / Tec_ctr fix val 8
p2209[0...n]	CO: Technology controller fixed value 9 / Tec_ctr fix val 9
p2210[0...n]	CO: Technology controller fixed value 10 / Tec_ctr fix val 10
p2211[0...n]	CO: Technology controller fixed value 11 / Tec_ctr fix val 11
p2212[0...n]	CO: Technology controller fixed value 12 / Tec_ctr fix val 12
p2213[0...n]	CO: Technology controller fixed value 13 / Tec_ctr fix val 13
p2214[0...n]	CO: Technology controller fixed value 14 / Tec_ctr fix val 14
p2215[0...n]	CO: Technology controller fixed value 15 / Tec_ctr fix val 15
p2216[0...n]	Technology controller fixed value selection method / Tec_ctr FixVal sel
p2230[0...n]	Technology controller motorized potentiometer configuration / Tec_ctr mop config
p2237[0...n]	Technology controller motorized potentiometer maximum value / Tec_ctrl mop max
p2238[0...n]	Technology controller motorized potentiometer minimum value / Tec_ctrl mop min
p2240[0...n]	Technology controller motorized potentiometer starting value / Tec_ctrl mop start
p2247[0...n]	Technology controller motorized potentiometer ramp-up time / Tec_ctr mop t_r-up
p2248[0...n]	Technology controller motorized potentiometer ramp-down time / Tec_ctrMop t_rdown
p2900[0...n]	CO: Fixed value 1 [%] / Fixed value 1 [%]
p2901[0...n]	CO: Fixed value 2 [%] / Fixed value 2 [%]
p2930[0...n]	CO: Fixed value M [Nm] / Fixed value M [Nm]
p3233[0...n]	Torque actual value filter time constant / M_act_filt T
p3320[0...n]	Fluid flow machine power point 1 / Fluid_mach P1
p3321[0...n]	Fluid flow machine speed point 1 / Fluid_mach n1
p3322[0...n]	Fluid flow machine power point 2 / Fluid_mach P2
p3323[0...n]	Fluid flow machine speed point 2 / Fluid_mach n2
p3324[0...n]	Fluid flow machine power point 3 / Fluid_mach P3
p3325[0...n]	Fluid flow machine speed point 3 / Fluid_mach n3
p3326[0...n]	Fluid flow machine power point 4 / Fluid_mach P4
p3327[0...n]	Fluid flow machine speed point 4 / Fluid_mach n4
p3328[0...n]	Fluid flow machine power point 5 / Fluid_mach P5
p3329[0...n]	Fluid flow machine speed point 5 / Fluid_mach n5
p3856[0...n]	Compound braking current / Compound I_brake
r3925[0...n]	Identification final display / Ident final_disp
r3927[0...n]	Motor data identification control word / MotID STW
r3928[0...n]	Rotating measurement configuration / Rot meas config
r3929[0...n]	Motor data identification modulated voltage generation / MotID U_gen mod
p5300[0...n]	Autotuning selection / Autotuning select
p5301[0...n]	One Button Tuning configuration / OBT config
p5302[0...n]	Online tuning configuration / OT config

2.3.3 Motor data sets (MDS)

Product: SINAMICS G120C, Version: 4702900, Language: eng, Type: MDS

p0133[0...n]	Motor configuration / Motor config
p0300[0...n]	Motor type selection / Mot type sel
p0301[0...n]	Motor code number selection / Mot code No. sel
p0304[0...n]	Rated motor voltage / Mot U_rated
p0305[0...n]	Rated motor current / Mot I_rated
p0306[0...n]	Number of motors connected in parallel / Motor qty
p0307[0...n]	Rated motor power / Mot P_rated
p0308[0...n]	Rated motor power factor / Mot cos phi rated
p0309[0...n]	Rated motor efficiency / Mot eta_rated
p0310[0...n]	Rated motor frequency / Mot f_rated
p0311[0...n]	Rated motor speed / Mot n_rated

2 Parameters

2.3 Parameters for data sets

p0312[0...n]	Rated motor torque / Mot M _{rated}
p0316[0...n]	Motor torque constant / Mot kT
p0320[0...n]	Motor rated magnetizing current/short-circuit current / Mot I _{mag_rated}
p0322[0...n]	Maximum motor speed / Mot n _{max}
p0323[0...n]	Maximum motor current / Mot I _{max}
p0325[0...n]	Motor pole position identification current 1st phase / Mot PolID I 1st ph
p0329[0...n]	Motor pole position identification current / Mot PolID current
r0330[0...n]	Rated motor slip / Mot slip _{rated}
r0331[0...n]	Actual motor magnetizing current/short-circuit current / Mot I _{mag_rtd act}
r0333[0...n]	Rated motor torque / Mot M _{rated}
p0335[0...n]	Motor cooling type / Mot cool type
p0341[0...n]	Motor moment of inertia / Mot M _{mom of inert}
p0342[0...n]	Ratio between the total and motor moment of inertia / Mot MomInert Ratio
p0344[0...n]	Motor weight (for the thermal motor model) / Mot weight th mod
r0345[0...n]	Nominal motor starting time / Mot t _{start_rated}
p0346[0...n]	Motor excitation build-up time / Mot t _{excitation}
p0347[0...n]	Motor de-excitation time / Mot t _{de-excitat}
p0350[0...n]	Motor stator resistance cold / Mot R _{stator cold}
p0352[0...n]	Cable resistance / R _{cable}
p0354[0...n]	Motor rotor resistance cold / Mot R _{r cold}
p0356[0...n]	Motor stator leakage inductance / Mot L _{stator leak} .
p0357[0...n]	Motor stator inductance d axis / Mot L _{stator d}
p0358[0...n]	Motor rotor leakage inductance / Mot L _{rot leak}
p0360[0...n]	Motor magnetizing inductance / Mot L _h
p0362[0...n]	Motor saturation characteristic flux 1 / Mot saturat.flux 1
p0363[0...n]	Motor saturation characteristic flux 2 / Mot saturat.flux 2
p0364[0...n]	Motor saturation characteristic flux 3 / Mot saturat.flux 3
p0365[0...n]	Motor saturation characteristic flux 4 / Mot saturat.flux 4
p0366[0...n]	Motor saturation characteristic I _{mag} 1 / Mot sat. I _{mag} 1
p0367[0...n]	Motor saturation characteristic I _{mag} 2 / Mot sat. I _{mag} 2
p0368[0...n]	Motor saturation characteristic I _{mag} 3 / Mot sat. I _{mag} 3
p0369[0...n]	Motor saturation characteristic I _{mag} 4 / Mot sat. I _{mag} 4
r0382[0...n]	Motor magnetizing inductance transformed / Mot L _{magn transf}
r0384[0...n]	Motor rotor time constant / damping time constant d axis / Mot T _{rotor/T_{Dd}}
r0386[0...n]	Motor stator leakage time constant / Mot T _{stator leak}
r0395[0...n]	Actual stator resistance / R _{stator act}
r0396[0...n]	Actual rotor resistance / R _{rotor act}
p0601[0...n]	Motor temperature sensor type / Mot _{temp_sens} type
p0604[0...n]	Mot _{temp_mod} 2/KTY alarm threshold / Mod 2/KTY A thresh
p0605[0...n]	Mot _{temp_mod} 1/2 threshold / Mod 1/2 threshold
p0610[0...n]	Motor overtemperature response / Mot temp response
p0611[0...n]	I2t motor model thermal time constant / I2t mot _{mod} T
p0612[0...n]	Mot _{temp_mod} activation / Mot _{temp_mod} act
p0614[0...n]	Thermal resistance adaptation reduction factor / Therm R _{adapt red}
p0615[0...n]	Mot _{temp_mod} 1 (I2t) fault threshold / I2t F thresh
p0620[0...n]	Thermal adaptation, stator and rotor resistance / Mot therm _{adapt} R
p0621[0...n]	Identification stator resistance after restart / Rst _{ident} Restart
p0622[0...n]	Motor excitation time for Rs _{ident} after powering up again / t _{excit} Rs _{id}
p0625[0...n]	Motor ambient temperature during commissioning / Mot T _{ambient}
r0632[0...n]	Mot _{temp_mod} stator winding temperature / Mod T _{winding}
p0637[0...n]	Q flux flux gradient saturated / PSIQ Grad SAT
p0826[0...n]	Motor changeover motor number / Mot _{chn} mot No.
p1231[0...n]	DC braking configuration / DCBRK config
p1232[0...n]	DC braking braking current / DCBRK I _{brake}
p1233[0...n]	DC braking time / DCBRK time

p1234[0...n]	Speed at the start of DC braking / DCBRK n_start
p1909[0...n]	Motor data identification control word / MotID STW
p1980[0...n]	PollID technique / PollID technique
r3926[0...n]	Voltage generation alternating base voltage amplitude / U_gen altern base
r5398[0...n]	Mot_temp_mod 3 alarm threshold image p5390 / A thr image p5390
r5399[0...n]	Mot_temp_mod 3 fault threshold image p5391 / F thr image p5391

2.3.4 Power unit Data Sets (PDS)

Product: SINAMICS G120C, Version: 4702900, Language: eng, Type: PDS

p0124[0...n]	CU detection via LED / CU detection LED
p0201[0...n]	Power unit code number / PU code no
r0204[0...n]	Power unit hardware properties / PU HW property

2.3.5 Encoder Data Sets (EDS)

Product: SINAMICS G120C, Version: 4702900, Language: eng, Type: EDS

p0422[0...n]	Absolute encoder linear measuring step resolution / Enc abs meas step
--------------	---

2.4 BICO parameters (connectors/binectors)

2.4.1 Binector inputs (BI)

Product: SINAMICS G120C, Version: 4702900, Language: eng, Type: BI

p0730	BI: CU signal source for terminal DO 0 / CU S_src DO 0
p0731	BI: CU signal source for terminal DO 1 / CU S_src DO 1
p0782[0...1]	BI: CU analog outputs invert signal source / CU AO inv S_src
p0806	BI: Inhibit master control / PcCtrl inhibit
p0810	BI: Command data set selection CDS bit 0 / CDS select., bit 0
p0820[0...n]	BI: Drive Data Set selection DDS bit 0 / DDS select., bit 0
p0840[0...n]	BI: ON / OFF (OFF1) / ON / OFF (OFF1)
p0844[0...n]	BI: No coast-down / coast-down (OFF2) signal source 1 / OFF2 S_src 1
p0845[0...n]	BI: No coast-down / coast-down (OFF2) signal source 2 / OFF2 S_src 2
p0848[0...n]	BI: No Quick Stop / Quick Stop (OFF3) signal source 1 / OFF3 S_src 1
p0849[0...n]	BI: No Quick Stop / Quick Stop (OFF3) signal source 2 / OFF3 S_src 2
p0852[0...n]	BI: Enable operation/inhibit operation / Operation enable
p0854[0...n]	BI: Control by PLC/no control by PLC / Master ctrl by PLC
p0855[0...n]	BI: Unconditionally release holding brake / Uncond open brake
p0856[0...n]	BI: Speed controller enable / n_ctrl enable
p0858[0...n]	BI: Unconditionally close holding brake / Uncond close brake
p1020[0...n]	BI: Fixed speed setpoint selection Bit 0 / n_set_fixed Bit 0
p1021[0...n]	BI: Fixed speed setpoint selection Bit 1 / n_set_fixed Bit 1
p1022[0...n]	BI: Fixed speed setpoint selection Bit 2 / n_set_fixed Bit 2
p1023[0...n]	BI: Fixed speed setpoint selection Bit 3 / n_set_fixed Bit 3
p1035[0...n]	BI: Motorized potentiometer setpoint raise / Mop raise
p1036[0...n]	BI: Motorized potentiometer lower setpoint / Mop lower
p1043[0...n]	BI: Motorized potentiometer accept setting value / MotP acc set val
p1055[0...n]	BI: Jog bit 0 / Jog bit 0
p1056[0...n]	BI: Jog bit 1 / Jog bit 1
p1110[0...n]	BI: Inhibit negative direction / Inhib neg dir
p1111[0...n]	BI: Inhibit positive direction / Inhib pos dir
p1113[0...n]	BI: Setpoint inversion / Setp inv
p1140[0...n]	BI: Enable ramp-function generator/inhibit ramp-function generator / RFG enable
p1141[0...n]	BI: Continue ramp-function generator/freeze ramp-function generator / Continue RFG
p1142[0...n]	BI: Enable setpoint/inhibit setpoint / Setpoint enable
p1201[0...n]	BI: Flying restart enable signal source / Fly_res enab S_src
p1230[0...n]	BI: DC braking activation / DC brake act
p1502[0...n]	BI: Freeze moment of inertia estimator / J_estim freeze
p2080[0...15]	BI: Binector-connector converter status word 1 / Bin/con ZSW1
p2103[0...n]	BI: 1. Acknowledge faults / 1. Acknowledge
p2104[0...n]	BI: 2. Acknowledge faults / 2. Acknowledge
p2106[0...n]	BI: External fault 1 / External fault 1
p2112[0...n]	BI: External alarm 1 / External alarm 1
p2200[0...n]	BI: Technology controller enable / Tec_ctrl enable
p2220[0...n]	BI: Technology controller fixed value selection bit 0 / Tec_ctrl sel bit 0
p2221[0...n]	BI: Technology controller fixed value selection bit 1 / Tec_ctrl sel bit 1
p2222[0...n]	BI: Technology controller fixed value selection bit 2 / Tec_ctrl sel bit 2
p2223[0...n]	BI: Technology controller fixed value selection bit 3 / Tec_ctrl sel bit 3
p2235[0...n]	BI: Technology controller motorized potentiometer raise setpoint / Tec_ctrl mop raise
p2236[0...n]	BI: Technology controller motorized potentiometer lower setpoint / Tec_ctrl mop lower
p2286[0...n]	BI: Hold technology controller integrator / Tec_ctr integ hold
p3330[0...n]	BI: 2/3 wire control command 1 / 2/3 wire cmd 1

p3331[0...n]	BI: 2/3 wire control command 2 / 2/3 wire cmd 2
p3332[0...n]	BI: 2/3 wire control command 3 / 2/3 wire cmd 3
p5614	BI: Pe set switch-on inhibit signal source / Pe sw on_inh s_src
p8785	BI: CAN status word bit 8 / Status word bit 8
p8786	BI: CAN status word bit 14 / Status word bit 14
p8787	BI: CAN status word bit 15 / Status word bit 15

2.4.2 Connector inputs (CI)

Product: SINAMICS G120C, Version: 4702900, Language: eng, Type: CI

p0771[0...1]	CI: CU analog outputs signal source / CU AO S_src
p1044[0...n]	CI: Motorized potentiometer setting value / Mop set val
p1070[0...n]	CI: Main setpoint / Main setpoint
p1071[0...n]	CI: Main setpoint scaling / Main setp scal
p1075[0...n]	CI: Supplementary setpoint / Suppl setp
p1076[0...n]	CI: Supplementary setpoint scaling / Suppl setp scal
p1106[0...n]	CI: Minimum speed signal source / n_min s_src
p1138[0...n]	CI: Ramp-function generator ramp-up time scaling / RFG t_RU scal
p1139[0...n]	CI: Ramp-function generator ramp-down time scaling / RFG t_RD scal
p1330[0...n]	CI: U/f control independent voltage setpoint / Uf U_set independ.
p1352[0...n]	CI: Motor holding brake starting frequency signal source / Brake f_start
p1475[0...n]	CI: Speed controller torque setting value for motor holding brake / n_ctrl M_sv MHB
p1511[0...n]	CI: Supplementary torque 1 / M_suppl 1
p1522[0...n]	CI: Torque limit upper / M_max upper
p1523[0...n]	CI: Torque limit lower / M_max lower
p1552[0...n]	CI: Torque limit upper scaling without offset / M_max up w/o offs
p1554[0...n]	CI: Torque limit lower scaling without offset / M_max low w/o offs
p2016[0...3]	CI: Comm IF USS PZD send word / Comm USS send word
p2051[0...13]	CI: PROFIdrive PZD send word / PZD send word
p2061[0...12]	CI: PROFIBUS PZD send double word / PZD send DW
p2099[0...1]	CI: Connector-binector converter signal source / Con/bin S_src
p2253[0...n]	CI: Technology controller setpoint 1 / Tec_ctrl setp 1
p2254[0...n]	CI: Technology controller setpoint 2 / Tec_ctrl setp 2
p2264[0...n]	CI: Technology controller actual value / Tec_ctrl act val
p2289[0...n]	CI: Technology controller pre-control signal / Tec_ctr prectr_sig
p2296[0...n]	CI: Technology controller output scaling / Tec_ctrl outp scal
p2297[0...n]	CI: Technology controller maximum limit signal source / Tec_ctrMaxLimS_src
p2298[0...n]	CI: Technology controller minimum limit signal source / Tec_ctrl min_l s_s
p2299[0...n]	CI: Technology controller limit offset / Tech_ctrl lim offs
p8746[0...15]	CI: CAN free PZD send objects 16 bit / Free PZD send 16
p8748[0...7]	CI: CAN free PZD send objects 32 bit / Free PZD send 32

2.4.3 Binector outputs (BO)

Product: SINAMICS G120C, Version: 4702900, Language: eng, Type: BO

r0751.0...9	BO: CU analog inputs status word / CU AI status word
r0785.0...1	BO: CU analog outputs status word / CU AO ZSW
r0807.0	BO: Master control active / PcCtrl active
r1025.0	BO: Fixed speed setpoint status / n_setp_fix status
r2043.0...2	BO: PROFIdrive PZD state / PD PZD state
r2090.0...15	BO: PROFIdrive PZD1 receive bit-serial / PZD1 recv bitw
r2091.0...15	BO: PROFIdrive PZD2 receive bit-serial / PZD2 recv bitw

r2092.0...15	BO: PROFIdrive PZD3 receive bit-serial / PZD3 recv bitw
r2093.0...15	BO: PROFIdrive PZD4 receive bit-serial / PZD4 recv bitw
r2094.0...15	BO: Connector-binector converter binector output / Con/bin outp
r2095.0...15	BO: Connector-binector converter binector output / Con/bin outp

2.4.4 Connector outputs (CO)

Product: SINAMICS G120C, Version: 4702900, Language: eng, Type: CO

r0021	CO: Actual speed smoothed / n_act smooth
r0025	CO: Output voltage smoothed / U_outp smooth
r0026	CO: DC link voltage smoothed / Vdc smooth
r0027	CO: Absolute actual current smoothed / I_act abs val smth
r0032	CO: Active power actual value smoothed / P_actv_act smth
r0034	CO: Motor utilization thermal / Mot_util therm
r0035	CO: Motor temperature / Mot temp
r0036	CO: Power unit overload I2t / PU overload I2t
r0037[0...19]	CO: Power unit temperatures / PU temperatures
r0060	CO: Speed setpoint before the setpoint filter / n_set before filt.
r0062	CO: Speed setpoint after the filter / n_set after filter
r0063[0...2]	CO: Speed actual value / n_act
r0064	CO: Speed controller system deviation / n_ctrl system dev
r0066	CO: Output frequency / f_outp
r0067	CO: Output current maximum / I_outp max
r0068[0...1]	CO: Absolute current actual value / I_act abs val
r0069[0...6]	CO: Phase current actual value / I_phase act value
r0070	CO: Actual DC link voltage / Vdc act val
r0072	CO: Output voltage / U_output
r0074	CO: Modulat_depth / Modulat_depth
r0075	CO: Current setpoint field-generating / Id_set
r0076	CO: Current actual value field-generating / Id_act
r0077	CO: Current setpoint torque-generating / Iq_set
r0078	CO: Current actual value torque-generating / Iq_act
r0079	CO: Torque setpoint / M_set
r0080[0...1]	CO: Torque actual value / M_act
r0081	CO: Torque utilization / M_Utilization
r0082[0...2]	CO: Active power actual value / P_act
r0083	CO: Flux setpoint / Flex setp
r0084[0...1]	CO: Flux actual value / Flux act val
r0087	CO: Actual power factor / Cos phi act
r0289	CO: Maximum power unit output current / PU I_outp max
r0752[0...1]	CO: CU analog inputs input voltage/current actual / CU AI U/I_inp act
r0755[0...1]	CO: CU analog inputs actual value in percent / CU AI value in %
r0944	CO: Counter for fault buffer changes / Fault buff change
p1001[0...n]	CO: Fixed speed setpoint 1 / n_set_fixed 1
p1002[0...n]	CO: Fixed speed setpoint 2 / n_set_fixed 2
p1003[0...n]	CO: Fixed speed setpoint 3 / n_set_fixed 3
p1004[0...n]	CO: Fixed speed setpoint 4 / n_set_fixed 4
p1005[0...n]	CO: Fixed speed setpoint 5 / n_set_fixed 5
p1006[0...n]	CO: Fixed speed setpoint 6 / n_set_fixed 6
p1007[0...n]	CO: Fixed speed setpoint 7 / n_set_fixed 7
p1008[0...n]	CO: Fixed speed setpoint 8 / n_set_fixed 8
p1009[0...n]	CO: Fixed speed setpoint 9 / n_set_fixed 9
p1010[0...n]	CO: Fixed speed setpoint 10 / n_set_fixed 10
p1011[0...n]	CO: Fixed speed setpoint 11 / n_set_fixed 11

p1012[0...n]	CO: Fixed speed setpoint 12 / n_set_fixed 12
p1013[0...n]	CO: Fixed speed setpoint 13 / n_set_fixed 13
p1014[0...n]	CO: Fixed speed setpoint 14 / n_set_fixed 14
p1015[0...n]	CO: Fixed speed setpoint 15 / n_set_fixed 15
r1024	CO: Fixed speed setpoint effective / n_set_fixed eff
r1045	CO: Mot. potentiometer speed setp. in front of ramp-fct. gen. / Mop n_set bef RFG
r1050	CO: Motor. potentiometer setpoint after the ramp-function generator / Mop setp after RFG
r1073	CO: Main setpoint effective / Main setpoint eff
r1077	CO: Supplementary setpoint effective / Suppl setpoint eff
r1078	CO: Total setpoint effective / Total setpoint eff
p1083[0...n]	CO: Speed limit in positive direction of rotation / n_limit pos
r1084	CO: Speed limit positive effective / n_limit pos eff
p1086[0...n]	CO: Speed limit in negative direction of rotation / n_limit neg
r1087	CO: Speed limit negative effective / n_limit neg eff
r1112	CO: Speed setpoint after minimum limiting / n_set aft min_lim
r1114	CO: Setpoint after the direction limiting / Setp after limit
r1119	CO: Ramp-function generator setpoint at the input / RFG setp at inp
r1149	CO: Ramp-function generator acceleration / RFG acceleration
r1150	CO: Ramp-function generator speed setpoint at the output / RFG n_set at outp
r1170	CO: Speed controller setpoint sum / n_ctrl setp sum
r1258	CO: Vdc controller output / Vdc_ctrl output
r1298	CO: Vdc controller output (U/f) / Vdc_ctrl output
r1337	CO: Actual slip compensation / Slip comp act val
r1343	CO: I_max controller frequency output / I_max_ctrl f_outp
r1348	CO: U/f control Eco factor actual value / U/f Eco fac act v
p1351[0...n]	CO: Motor holding brake starting frequency / Brake f_start
r1438	CO: Speed controller speed setpoint / n_ctrl n_set
r1445	CO: Actual speed smoothed / n_act smooth
r1482	CO: Speed controller I torque output / n_ctrl I-M_outp
r1493	CO: Moment of inertia total, scaled / M_mom inert tot_sc
r1508	CO: Torque setpoint before supplementary torque / M_set bef. M_suppl
r1516	CO: Supplementary torque and acceleration torque / M_suppl + M_accel
p1520[0...n]	CO: Torque limit upper / M_max upper
p1521[0...n]	CO: Torque limit lower / M_max lower
p1524[0...n]	CO: Torque limit upper scaling / M_max upper scal
p1525[0...n]	CO: Torque limit lower scaling / M_max lower scal
r1526	CO: Torque limit upper without offset / M_max up w/o offs
r1527	CO: Torque limit lower without offset / M_max low w/o offs
r1538	CO: Upper effective torque limit / M_max upper eff
r1539	CO: Lower effective torque limit / M_max lower eff
r1547[0...1]	CO: Torque limit for speed controller output / M_max outp n_ctrl
p1563[0...n]	CO: Mom. of inertia estimator load torque direction of rotation pos. / J_est M pos
p1564[0...n]	CO: Mom. of inertia estimator load torque direction of rotation neg. / J_est M neg
p1570[0...n]	CO: Flux setpoint / Flex setp
r1598	CO: Total flux setpoint / Flux setp total
r1732[0...1]	CO: Direct-axis voltage setpoint / Direct U set
r1733[0...1]	CO: Quadrature-axis voltage setpoint / Quad U set
r1801[0...1]	CO: Pulse frequency / Pulse frequency
r2050[0...11]	CO: PROFIBUS PZD receive word / PZD recv word
r2060[0...10]	CO: PROFIdrive PZD receive double word / PZD recv DW
r2089[0...4]	CO: Send binector-connector converter status word / Bin/con ZSW send
r2120	CO: Sum of fault and alarm buffer changes / Sum buffer changed
r2131	CO: Actual fault code / Act fault code
r2132	CO: Actual alarm code / Actual alarm code
r2169	CO: Actual speed smoothed signals / n_act smth message

p2201[0...n]	CO: Technology controller fixed value 1 / Tec_ctrl fix val1
p2202[0...n]	CO: Technology controller fixed value 2 / Tec_ctr fix val 2
p2203[0...n]	CO: Technology controller fixed value 3 / Tec_ctr fix val 3
p2204[0...n]	CO: Technology controller fixed value 4 / Tec_ctr fix val 4
p2205[0...n]	CO: Technology controller fixed value 5 / Tec_ctr fix val 5
p2206[0...n]	CO: Technology controller fixed value 6 / Tec_ctr fix val 6
p2207[0...n]	CO: Technology controller fixed value 7 / Tec_ctr fix val 7
p2208[0...n]	CO: Technology controller fixed value 8 / Tec_ctr fix val 8
p2209[0...n]	CO: Technology controller fixed value 9 / Tec_ctr fix val 9
p2210[0...n]	CO: Technology controller fixed value 10 / Tec_ctr fix val 10
p2211[0...n]	CO: Technology controller fixed value 11 / Tec_ctr fix val 11
p2212[0...n]	CO: Technology controller fixed value 12 / Tec_ctr fix val 12
p2213[0...n]	CO: Technology controller fixed value 13 / Tec_ctr fix val 13
p2214[0...n]	CO: Technology controller fixed value 14 / Tec_ctr fix val 14
p2215[0...n]	CO: Technology controller fixed value 15 / Tec_ctr fix val 15
r2224	CO: Technology controller fixed value effective / Tec_ctr FixVal eff
r2245	CO: Technology controller mot. potentiometer setpoint before RFG / Tec_ctr mop befRFG
r2250	CO: Technology controller motorized potentiometer setpoint after RFG / Tec_ctr mop aftRFG
r2260	CO: Technology controller setpoint after ramp-function generator / Tec_ctr set aftRFG
r2266	CO: Technology controller actual value after filter / Tec_ctr act aftFit
r2272	CO: Technology controller actual value scaled / Tech_ctrl act scal
r2273	CO: Technology controller error / Tec_ctrl error
p2291	CO: Technology controller maximum limiting / Tec_ctrl max_lim
p2292	CO: Technology controller minimum limiting / Tec_ctrl min_lim
r2294	CO: Technology controller output signal / Tec_ctrl outp_sig
p2295	CO: Technology controller output scaling / Tec_ctrl outp scal
r2344	CO: Technology controller last speed setpoint (smoothed) / Tec_ctrl n_setp_sm
p2900[0...n]	CO: Fixed value 1 [%] / Fixed value 1 [%]
p2901[0...n]	CO: Fixed value 2 [%] / Fixed value 2 [%]
r2902[0...14]	CO: Fixed values [%] / Fixed values [%]
p2930[0...n]	CO: Fixed value M [Nm] / Fixed value M [Nm]
r8745[0...15]	CO: CAN free PZD receive objects 16 bit / Free PZD recv 16
r8747[0...7]	CO: CAN free PZD receive objects 32 bit / Free PZD recv 32
r8762	CO: CAN operating mode display / Op mode display
r8784	CO: CAN status word / Status word
r8792[0]	CO: CAN velocity mode I16 setpoint / Vel mod I16 set
r8796[0]	CO: CAN profile velocity mode I32 setpoints / Pr vel mo I32 set
r8797[0]	CO: CAN profile torque mode I16 setpoints / Pr Tq mod I16 set

2.4.5 Connector/binector outputs (CO/BO)

Product: SINAMICS G120C, Version: 4702900, Language: eng, Type: CO/BO

r0046.0...31	CO/BO: Missing enable sig / Missing enable sig
r0050.0...1	CO/BO: Command Data Set CDS effective / CDS effective
r0051.0	CO/BO: Drive Data Set DDS effective / DDS effective
r0052.0...15	CO/BO: Status word 1 / ZSW 1
r0053.0...11	CO/BO: Status word 2 / ZSW 2
r0054.0...15	CO/BO: Control word 1 / STW 1
r0055.0...15	CO/BO: Supplementary control word / Suppl STW
r0056.0...15	CO/BO: Status word, closed-loop control / ZSW cl-loop ctrl
r0722.0...11	CO/BO: CU digital inputs status / CU DI status
r0723.0...11	CO/BO: CU digital inputs status inverted / CU DI status inv
r0835.2...8	CO/BO: Data set changeover status word / DDS_ZSW
r0836.0...1	CO/BO: Command Data Set CDS selected / CDS selected

r0837.0	CO/BO: Drive Data Set DDS selected / DDS selected
r0898.0...14	CO/BO: Control word sequence control / STW seq_ctrl
r0899.0...13	CO/BO: Status word sequence control / ZSW seq_ctrl
r1198.0...15	CO/BO: Control word setpoint channel / STW setpoint chan
r1239.8...13	CO/BO: DC braking status word / DCBRK ZSW
r1406.4...15	CO/BO: Control word speed controller / STW n_ctrl
r1407.0...23	CO/BO: Status word speed controller / ZSW n_ctrl
r1408.0...14	CO/BO: Status word current controller / ZSW I_ctrl
r1838.0...15	CO/BO: Gating unit status word 1 / Gating unit ZSW1
r2129.0...15	CO/BO: Faults/alarms trigger signal / F/A trigger signal
r2135.12...15	CO/BO: Status word faults/alarms 2 / ZSW fault/alarm 2
r2138.7...15	CO/BO: Control word faults/alarms / STW fault/alarm
r2139.0...15	CO/BO: Status word faults/alarms 1 / ZSW fault/alarm 1
r2197.0...13	CO/BO: Status word monitoring 1 / ZSW monitor 1
r2198.0...13	CO/BO: Status word monitoring 2 / ZSW monitor 2
r2199.0...11	CO/BO: Status word monitoring 3 / ZSW monitor 3
r2225.0	CO/BO: Technology controller fixed value selection status word / Tec_ctr FixVal ZSW
r2349.0...12	CO/BO: Technology controller status word / Tec_ctrl status
r3113.0...15	CO/BO: NAMUR message bit bar / NAMUR bit bar
r3333.0...3	CO/BO: 2/3 wire control control word / 2/3 wire STW
r3859.0	CO/BO: Compound braking/DC quantity control status word / Comp-br/DC_ctr ZSW
r5613.0...1	CO/BO: Pe energy-saving active/inactive / Pe save act/inact
r8795.0...15	CO/BO: CAN control word / Control word
r9772.0...21	CO/BO: SI status (processor 1) / SI status P1
r9773.0...31	CO/BO: SI status (processor 1 + processor 2) / SI status P1+P2
r9872.0...21	CO/BO: SI status (processor 2) / SI Status P2

2.5 Parameters for write protection and know-how protection

2.5.1 Parameters with "WRITE_NO_LOCK"

The following list contains the parameters with the "WRITE_NO_LOCK" attribute.

These parameters are not affected by the write protection.

Product: SINAMICS G120C, Version: 4702900, Language: eng, Type: WRITE_NO_LOCK

p0003	Access level / Acc_level
p0010	Drive commissioning parameter filter / Drv comm. par_filt
p0124[0...n]	CU detection via LED / CU detection LED
p0970	Reset drive parameters / Drive par reset
p0971	Save parameters / Save par
p0972	Drive unit reset / Drv_unit reset
p2111	Alarm counter / Alarm counter
p3950	Service parameter / Serv par
p3981	Faults acknowledge drive object / Faults ackn DO
p3985	Master control mode selection / PcCtrl mode select
p7761	Write protection / Write protection
p8805	Identification and maintenance 4 configuration / I&M 4 config
p8806[0...53]	Identification and Maintenance 1 / I&M 1
p8807[0...15]	Identification and Maintenance 2 / I&M 2
p8808[0...53]	Identification and Maintenance 3 / I&M 3
p8809[0...53]	Identification and Maintenance 4 / I&M 4
p9400	Safely remove memory card / Mem_card rem
p9484	BICO interconnections search signal source / BICO S_src srch

2.5.2 Parameters with "KHP_WRITE_NO_LOCK"

The following list contains the parameters with the "KHP_WRITE_NO_LOCK" attribute.

These parameters are not affected by the know-how protection.

Product: SINAMICS G120C, Version: 4702900, Language: eng, Type: KHP_WRITE_NO_LOCK

p0003	Access level / Acc_level
p0010	Drive commissioning parameter filter / Drv comm. par_filt
p0124[0...n]	CU detection via LED / CU detection LED
p0970	Reset drive parameters / Drive par reset
p0971	Save parameters / Save par
p0972	Drive unit reset / Drv_unit reset
p2040	Fieldbus interface monitoring time / Fieldbus t_monit
p2111	Alarm counter / Alarm counter
p3950	Service parameter / Serv par
p3981	Faults acknowledge drive object / Faults ackn DO
p3985	Master control mode selection / PcCtrl mode select
p7761	Write protection / Write protection
p8805	Identification and maintenance 4 configuration / I&M 4 config
p8806[0...53]	Identification and Maintenance 1 / I&M 1
p8807[0...15]	Identification and Maintenance 2 / I&M 2
p8808[0...53]	Identification and Maintenance 3 / I&M 3
p8809[0...53]	Identification and Maintenance 4 / I&M 4
p8980	Ethernet/IPprofile / Eth/IP profile
p8981	Ethernet/IP ODVA STOP mode / Eth/IP ODVA STOP

p8982	Ethernet/IP ODVA speed scaling / Eth/IP ODVA n scal
p8983	Ethernet/IP ODVA torque scaling / Eth/IP ODVA M scal
p9400	Safely remove memory card / Mem_card rem
p9484	BICO interconnections search signal source / BICO S_src srch

2.5.3 Parameters with "KHP_ACTIVE_READ"

The following list contains the parameters with the "KHP_ACTIVE_READ" attribute.

These parameters can also be read with activated know-how protection.

Product: SINAMICS G120C, Version: 4702900, Language: eng, Type: KHP_ACTIVE_READ

p0015	Macro drive unit / Macro drv unit
p0100	IEC/NEMA mot stds / IEC/NEMA mot stds
p0170	Number of Command Data Sets (CDS) / CDS count
p0180	Number of Drive Data Sets (DDS) / DDS count
p0300[0...n]	Motor type selection / Mot type sel
p0304[0...n]	Rated motor voltage / Mot U_rated
p0305[0...n]	Rated motor current / Mot I_rated
p0505	Selecting the system of units / Unit sys select
p0595	Technological unit selection / Tech unit select
p0730	BI: CU signal source for terminal DO 0 / CU S_src DO 0
p0731	BI: CU signal source for terminal DO 1 / CU S_src DO 1
p0806	BI: Inhibit master control / PcCtrl inhibit
p0922	PROFIdrive PZD telegram selection / PZD teleg_r_sel
p1080[0...n]	Minimum speed / n_min
p1082[0...n]	Maximum speed / n_max
p1520[0...n]	CO: Torque limit upper / M_max upper
p2000	Reference speed reference frequency / n_ref f_ref
p2001	Reference voltage / Reference voltage
p2002	Reference current / I_ref
p2003	Reference torque / M_ref
p2006	Reference temp / Ref temp
p2030	Field bus int protocol selection / Field bus protocol
p2038	PROFIdrive STW/ZSW interface mode / PD STW/ZSW IF mode
p2079	PROFIdrive PZD telegram selection extended / PZD teleg_r_ext
p7763	KHP OEM exception list number of indices for p7764 / KHP OEM qty p7764
p7764[0...n]	KHP OEM exception list / KHP OEM excep list
p9601	SI enable functions integrated in the drive (processor 1) / SI enable fct P1
p9810	SI PROFIsafe address (processor 2) / SI PROFIsafe P2

2.6 Quick commissioning (p0010 = 1)

The parameters required for the quick commissioning (p0010 = 1) are shown in the following table:

Table 2-7 Quick commissioning (p0010 = 1)

Par. no.	Name	Access level		Changeable
p0010	Drive, commissioning parameter filter	1		C(1)T
p0015	Macro drive unit	1		C(1)
p0100	IEC/NEMA motor standard	1		C(1)
p0205	Power unit application	1		C(1,2)
p0230	Drive filter type, motor side	1		C(1,2)
p0300	Motor type selection	2		C(1,3)
p0301	Motor code number selection	2		C(1,3)
p0304	Rated motor voltage	1		C(1,3)
p0305	Rated motor current	1		C(1,3)
p0306	Number of motors connected in parallel	1		C(1,3)
p0307	Rated motor power	1		C(1,3)
p0308	Rated motor power factor	1		C(1,3)
p0309	Rated motor efficiency	1		C(1,3)
p0310	Rated motor frequency	1		C(1,3)
p0311	Rated motor speed	1		C(1,3)
p0316	Motor torque constant	4		C(1,3)UT
p0322	Maximum motor speed	1		C(1,3)
p0323	Maximum motor current	1		C(1,3)
p0335	Motor cooling type	2		C(1,3)T
p0500	Technology application	2	G120C CAN G120C DP G120C USS/MB G120C PN	C(1,5)T
p0500	Technology application	4	G120C PN	C(1,5)T
p0640	Current limit	2		C(1,3)UT
p0922	PROFIdrive telegram selection	1		C(1)T
p0970	Reset drive parameters	1		C(1,30)
p1080	Minimum speed	1		C(1)T
p1082	Maximum speed	1		C(1)T
p1120	Ramp-function generator ramp-up time	1		C(1)UT
p1121	Ramp-function generator ramp-down time	1		C(1)UT
p1135	OFF3 ramp-down time	2		C(1)UT
p1300	Open-loop/closed-loop control operating mode	2		C(1)T

Table 2-7 Quick commissioning (p0010 = 1), continued

Par. no.	Name	Access level		Changeable
p1900	Motor data identification and rotating measurement	2		C(1)T
p1905	Parameter tuning selection	1		C(1)T
p3900	Completion of quick commissioning	1		C(1)

If p0010 = 1 is selected, p0003 (user access level) can be used to select the parameters that are to be accessed.

At the end of the quick commissioning, set p3900 = 1 to perform the required motor calculations and reset all other parameters (not included in p0010 = 1) to their default settings.

Note

This only applies for the quick commissioning.

Function diagrams

Content

3.1	Table of contents	318
3.2	Explanation of the function diagrams	322
3.3	Input/output terminals	327
3.4	PROFInergy	336
3.5	PROFIdrive communication (PROFIBUS/PROFINET)	339
3.6	CANopen communication	353
3.7	Communication, fieldbus interface (USS, MODBUS)	360
3.8	Internal control/status words	366
3.9	Brake control	384
3.10	Safety Integrated Basic Functions	386
3.11	Safety Integrated PROFIsafe	392
3.12	Setpoint channel	394
3.13	Vector control	403
3.14	Technology functions	425
3.15	Technology controller	427
3.16	Signals and monitoring functions	432
3.17	Diagnostics	442
3.18	Data sets	448

3.1 Table of contents

3.2 Explanation of the function diagrams	322
1020 – Explanation of the symbols (part 1)	323
1021 – Explanation of the symbols (part 2)	324
1022 – Explanation of the symbols (part 3)	325
1030 – Handling BICO technology	326
3.3 Input/output terminals	327
2201 – Connection overview	328
2221 – Digital inputs, electrically isolated (DI 0 ... DI 5)	329
2241 – Digital outputs (DO 0 ... DO 1)	330
2250 – Analog input 0 (AI 0)	331
2255 – Analog inputs as digital inputs (DI 11)	332
2260 – Analog output 0 (AO 0)	333
2272 – Two-wire control	334
2273 – Three-wire control	335
3.4 PROFIenergy	336
2381 – Control commands and interrogation commands	337
2382 – States	338
3.5 PROFIdrive communication (PROFIBUS/PROFINET)	339
2401 – Overview	340
2410 – PROFIBUS (PB) / PROFINET (PN), addresses and diagnostics	341
2420 – Telegrams and process data (PZD)	342
2440 – PZD receive signals interconnection	343
2441 – STW1 control word interconnection (p2038 = 2)	344
2442 – STW1 control word interconnection (p2038 = 0)	345
2446 – STW3 control word interconnection	346
2450 – PZD send signals interconnection	347
2451 – ZSW1 status word interconnection (p2038 = 2)	348
2452 – ZSW1 status word interconnection (p2038 = 0)	349
2456 – ZSW3 status word interconnection	350
2468 – Receive telegram, free interconnection via BICO (p0922 = 999)	351
2470 – Send telegram, free interconnection via BICO (p0922 = 999)	352
3.6 CANopen communication	353
9204 – Receive telegram, free PDO mapping (p8744 = 2)	354

9206 – Receive telegram, Predefined Connection Set (p8744 = 1)	355
9208 – Send telegram, free PDO mapping (p8744 = 2)	356
9210 – Send telegram, Predefined Connection Set (p8744 = 1)	357
9220 – Control word, CANopen	358
9226 – Status word, CANopen	359
3.7 Communication, fieldbus interface (USS, MODBUS)	360
9310 – Configuration, addresses and diagnostics	361
9342 – STW1 control word interconnection	362
9352 – ZSW1 status word interconnection	363
9360 – Receive telegram, free interconnection via BICO (p0922 = 999)	364
9370 – Send telegram, free interconnection via BICO (p0922 = 999)	365
3.8 Internal control/status words	366
2501 – Control word, sequence control	367
2503 – Status word, sequence control	368
2505 – Control word, setpoint channel	369
2510 – Status word 1 (r0052)	370
2511 – Status word 2 (r0053)	371
2512 – Control word 1 (r0054)	372
2513 – Control word 2 (r0055)	373
2522 – Status word, speed controller	374
2526 – Status word, closed-loop control	375
2530 – Status word, closed-loop current control	376
2534 – Status word, monitoring functions 1	377
2536 – Status word, monitoring functions 2	378
2537 – Status word, monitoring functions 3	379
2546 – Control word, faults/alarms	380
2548 – Status word, faults/alarms 1 and 2	381
2610 – Sequence control - Sequencer	382
2634 – Sequence control - Missing enable signals	383
3.9 Brake control	384
2701 – Basic brake control	385
3.10 Safety Integrated Basic Functions	386
2800 – Parameter manager	387
2802 – Monitoring functions and faults/alarms	388

2804 – Status words	389
2810 – STO: Safe Torque Off	390
2812 – F-DI: Fail-safe Digital Input	391
3.11 Safety Integrated PROFIsafe	392
2915 – Standard telegrams	393
3.12 Setpoint channel	394
3001 – Overview	395
3010 – Fixed speed setpoints, binary selection (p1016 = 2)	396
3011 – Fixed speed setpoints, direct selection (p1016 = 1)	397
3020 – Motorized potentiometer	398
3030 – Main/supplementary setpoint, setpoint scaling, jogging	399
3040 – Direction limitation and direction reversal	400
3050 – Skip frequency bands and speed limitations	401
3070 – Extended ramp-function generator	402
3.13 Vector control	403
6020 – Speed control and generation of the torque limits, overview	404
6030 – Speed setpoint, acceleration model	405
6040 – Speed controller	406
6060 – Torque setpoint	407
6220 – Vdc_max controller and Vdc_min controller	408
6300 – U/f control, overview	409
6301 – U/f characteristic and voltage boost	410
6310 – Resonance damping and slip compensation (U/f)	411
6320 – Vdc_max controller and Vdc_min controller (U/f)	412
6630 – Upper/lower torque limit	413
6640 – Current/power/torque limits	414
6700 – Current control, overview	415
6710 – Current setpoint filter	416
6714 – Iq and Id controllers	417
6721 – Id setpoint (PEM, p0300 = 2)	418
6722 – Field weakening characteristic, Id setpoint (ASM, p0300 = 1)	419
6723 – Field weakening controller, flux controller (ASM, p0300 = 1)	420
6724 – Field weakening controller (PEM, p0300 = 2)	421
6730 – Interface to the Power Module (ASM, p0300 = 1)	422
6731 – Interface to the Power Module (PEM, p0300 = 2)	423

6799 – Display signals	424
3.14 Technology functions	425
7017 – DC brake (p0300 = 1)	426
3.15 Technology controller	427
7950 – Fixed value selection binary (p2216 = 2)	428
7951 – Fixed value selection direct (p2216 = 1)	429
7954 – Motorized potentiometer	430
7958 – Closed-loop control	431
3.16 Signals and monitoring functions	432
8005 – Overview	433
8010 – Speed signals 1	434
8011 – Speed signals 2	435
8012 – Torque signals, motor blocked/stalled	436
8014 – Thermal monitoring, power unit	437
8016 – Thermal monitoring, motor	438
8017 – Thermal motor models	439
8020 – Monitoring functions 1	440
8021 – Monitoring functions 2	441
3.17 Diagnostics	442
8050 – Overview	443
8060 – Fault buffer	444
8065 – Alarm buffer	445
8070 – Faults/alarms trigger word (r2129)	446
8075 – Faults/alarms configuration	447
3.18 Data sets	448
8560 – Command Data Sets (CDS)	449
8565 – Drive Data Sets (DDS)	450

3.2 Explanation of the function diagrams

Function diagrams

1020 – Explanation of the symbols (part 1)	323
1021 – Explanation of the symbols (part 2)	324
1022 – Explanation of the symbols (part 3)	325
1030 – Handling BICO technology	326

Fig. 3-1 1020 – Explanation of the symbols (part 1)

Parameters		Connectors		Binectors		Data sets	
Symbol Parameter name [Unit] rxxx[y..z]	Meaning Monitoring parameter with unit [Unit] and index range [y..z] or data set [C/D]	Symbol Parameter name pxxxx[y..z] (Def)	Meaning Connector input CI with index range [y..z] or data set [C/D] and factory setting (Def *)	Symbol Parameter name pxxxx[y..z] (Def.y)	Meaning Binector input BI with with index range [y..z] or data set [C/D] and factory setting.bit number (Def)	Symbol pxxxx[C]	Meaning Parameter belongs to the Command Data Set (CDS).
Symbol Parameter name from ... to [Unit] pxxxx[C/D] (Def)	Meaning Setting parameter with min/max value and unit [Unit] data set [C/D] and factory setting (Def *)	Symbol Parameter name [Unit] rxxx[y..z]	Meaning Connector output CO with unit [Unit] and with index range [y..z]	Symbol Parameter name rxxx	Meaning Binector output BO	Symbol pxxxx[D]	Meaning Parameter belongs to the Drive Data Set (DDS).
		Connectors/binectors		Pre-assigned connectors and binectors		Symbol pxxxx[E]	Meaning Parameter belongs to the Encoder Data Set (EDS).
		Symbol Parameter name rxxx	Meaning Connector/binector output CO/BO	Symbol Parameter name from ... to [Unit] pxxxx[D] (Def)	Meaning Setting parameter with min/max value and unit [Unit] data set [D] and factory setting (Def)	Symbol pxxxx[M]	Meaning Parameter belongs to the Motor Data Set (MDS).
Information on parameters, binectors, connectors				Cross references between diagrams			
Symbol Parameter name	Meaning Parameter name (up to 18 characters)			Symbol Signal path	Meaning The function diagrams are sub-divided into signal paths 1...8 in order to facilitate orientation.		
[Unit]	[dimension unit]			Text → [aaaa.b]	Text = Unique signal designation aaaa = Signal to target diagram aaa b = Signal to signal path b		
rxxx[y] or rxxx[y..z] or rxxx[y].ww or rxxx.ww	"r" = monitoring parameter. These parameters are read-only "xxxx" stands for the parameter number "[y]" specifies the applicable index, "[y..z]" specifies the index range ".ww" specifies the bit number (e.g. 0...15).			[cccc.d] Text →	Text = Unique signal designation cccc = Signal from source diagram cccc d = Signal from signal path d		
pxxxx[y] or pxxxx[y..z] or pxxxx[y].ww or pxxxx.ww		"p" = setting parameter. These parameters can be changed. "xxxx" stands for the parameter number, "[y]" specifies the applicable index, "[y..z]" specifies the index range ".ww" specifies the bit number (e.g. 0...15).			To "function diagram name" [aaaa.b] = binectors.		
from ... to	Value range.				Cross references for control bits		
(xxxx[y].ww)	Parameter number (xxxx) with Index number [y] and bit number .ww.			Symbol pxxxx	Meaning pxxxx= Original parameter of signal aaaa = Signal from source diagram aaaa b = Signal from signal path b		
(Def)	Factory setting.			[aaaa.b]			
(Def.w)	Factory setting with bit number as prefix.						
[aaaa.b]	Diagram references for setting parameters that occur a multiple number of times. [Function diagram number, signal path]						
*) For some parameters the value for the factory setting is calculated during commissioning for they are dependent on Power Module and motor (see Section 2.1.1 "Calculated").							
1	2	3	4	5	6	7	8
Explanations on the function diagrams					fp_1020_97_61.vsd	Function diagram	
Explanation of the symbols (part 1)					07.04.2014 V4.7	SINAMICS G120C	
							- 1020 -

Symbols for computational and closed-loop control functions

Threshold value switch 1/0
Outputs at y a logical "1" if $x < S$.

Threshold value switch 0/1
Outputs at y a logical "1" if $x > S$.

Threshold value 1/0 with hysteresis
Outputs a logical "1" at y if $x < S$.
If $x >= S + H$ then y returns to 0.

Threshold value 0/1 with hysteresis
Outputs a logical "1" at y if $x > S$.
If $x <= S - H$ then y returns to 0.

Limiter
x is limited to the upper limit LU and the lower limit LL and output at y.
The digital signals MLU and MLL have the value "1", if the upper or lower limit is active.

Sample & Hold element
Sample and hold element.
 $y = x$ if SET = 1
(not retentively saved at POWER OFF)

Symbols for logic functions

Logical inversion

AND element
with logical inversion of an input signal

OR element

Exclusiv-OR/XOR
 $y = 1$ when $x_1 \neq x_2$ is.

Comparator
 $y = 1$ when $x_1 = x_2$ is.

R/S flip-flop
S = setting input
R = reset input
Q = non-inverted output
Q-bar = inverted output

Symbols for computational and closed-loop control functions

Sign reversal
 $y = -x$

Absolute value generator
 $y = |x|$

Divider
 $y = \frac{x_1}{x_2}$

Multiplier
 $y = x_1 \cdot x_2$

Comparator greater than 0
 $y = 1$, if the analog signal $x > 0$, i.e. is positive.

Differentiator
 $y = \frac{dx}{dt}$

Pre-assigned connectors and binectors

Fixed percentage values

Fixed value 1 [%]
-10000.00 ... 10000.00 [%]
p2900 [D] (0.00)

Fixed value 1 [%]
-10 000.00...10 000.00 [%]
p2900[D] (0.00)

Fixed value 2 [%]
-10 000.00...10 000.00 [%]
p2901[D] (0.00)

Fixed values [%]
p2902[0...14] (0.00)

p2902[0] = +0 % p2902[5] = +100 % p2902[10] = -20 %
p2902[1] = +5 % p2902[6] = +150 % p2902[11] = -50 %
p2902[2] = +10 % p2902[7] = +200 % p2902[12] = -100 %
p2902[3] = +20 % p2902[8] = -5 % p2902[13] = -150 %
p2902[4] = +50 % p2902[9] = -10 % p2902[14] = -200 %

Fixed speed values

n_set_fixed 1
-210000.000 ... 210000.000 [rpm]
p1001 [D] (0.000)

n_set_fixed 1
-210 000.000...210 000.000 [1/min]
p1001[D] (0.000)

n_set_fixed 15
-210 000.000...210 000.000 [1/min]
p1015[D] (0.000)

Fixed torque value

Fixed value M [Nm]
-100000.00 ... 100000.00 [Nm]
p2930 [D] (0.00)

Fixed value M [Nm]
-100 000.00...100 000.00 [Nm]
p2930[D] (0.00)

Symbol for monitoring

Monitoring → Axxxxx or Fxxxxx

Monitoring
In the bottom right-hand corner of the diagram.

1	2	3	4	5	6	7	8
Explanations on the function diagrams					fp_1021_97_61.vsd	Function diagram	
Explanation of the symbols (part 2)					07.04.2014 V4.7	SINAMICS G120C	

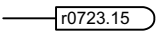
Fig. 3-2 1021 – Explanation of the symbols (part 2)

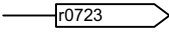
Fig. 3-3 1022 – Explanation of the symbols (part 3)

<p>Switch-on delay</p> <p>The digital signal x must have the value "1" without any interruption during the time T before output y changes to "1".</p>	<p>Switch symbol</p> <p>Simple changeover switch The switch position is shown according to the factory setting (in this case, switch position 1 in the default state on delivery).</p>	<p>2nd-order filter (bandstop/general filter)</p> <p>Natural frequency, numerator: f_{n_n} pxxxx Damping, numerator: D_n pxxxx Natural frequency, denominator: f_{n_d} pxxxx Damping, denominator: D_d pxxxx</p> <p>Used as bandstop filter</p> <ul style="list-style-type: none"> - center frequency fs: $f_{n_n} = f_s$ $f_{n_d} = f_s$ - bandwidth f_B: $D_n = 0$ $D_d = \frac{f_B}{2 \cdot f_s}$ <p>Transfer function when used as general filter</p> $H(s) = \frac{\left(\frac{s}{2\pi f_{n_n}}\right)^2 + \frac{2 \cdot D_n}{2\pi f_{n_n}} \cdot s + 1}{\left(\frac{s}{2\pi f_{n_d}}\right)^2 + \frac{2 \cdot D_d}{2\pi f_{n_d}} \cdot s + 1}$
<p>Switch-off delay</p> <p>The digital signal x must have the value "0" without interruption during the time T before output y changes to "0".</p>	<p>PT1 element</p> <p>Delay element, first order. pxxxx = time constant</p>	<p>Analog adder can be activated</p> <p>The following applies to I = 1 signal: $y = x_1 + x_2$ The following applies to I = 0 signal: $y = x_1$</p>
<p>Delay (switch-on and switch-off)</p> <p>The digital signal x must have the value "1" without interruption during time T1 or must have the value "0" during time T2 before output y changes its signal state.</p>	<p>PT2 low pass</p> <p>Natural frequency, denominator: f_{n_d} pxxxx Damping, denominator: D_d pxxxx</p> <p>Transfer function</p> $H(s) = \frac{1}{\left(\frac{s}{2\pi f_{n_d}}\right)^2 + \frac{2 \cdot D_d}{2\pi f_{n_d}} \cdot s + 1}$	<p>6 fp_1022_97_61.vsd 07.04.2014 V4.7</p> <p>7 Function diagram SINAMICS G120C</p> <p>8 - 1022 -</p>

Fig. 3-4 1030 – Handling BICO technology

Handling BICO technology

Binector:  r0723.15 Binectors are binary signals that can be freely interconnected (BO = Binector Output). They represent a bit of a "BO:" display parameter (e.g. bit 15 from r0723).

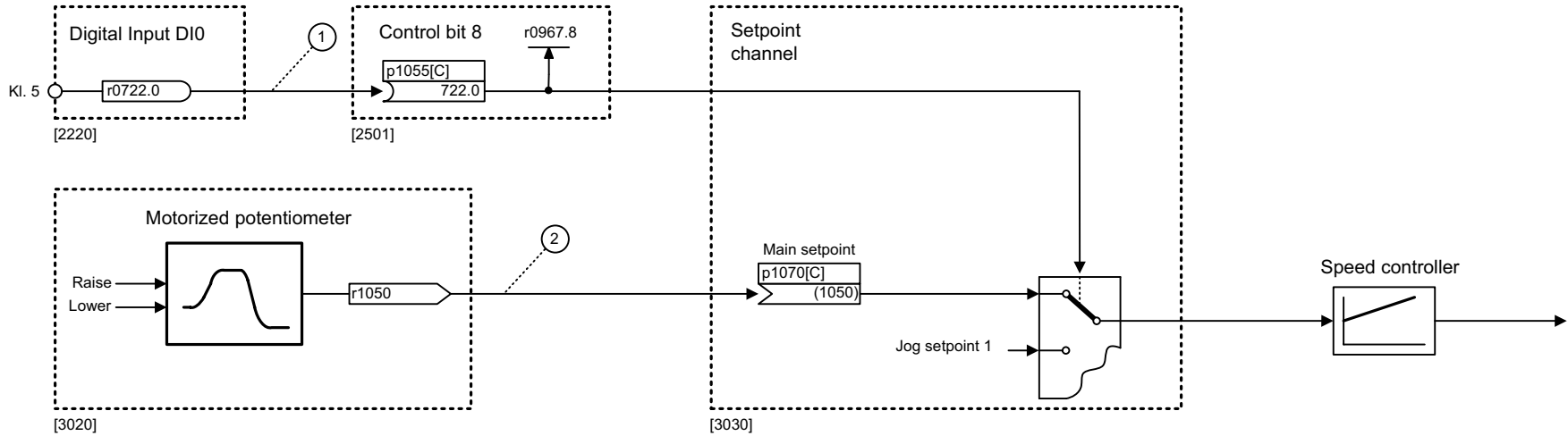
Connector:  r0723 Connectors are "analog signals" that can be freely interconnected (e.g. percentage variables, speeds or torques). Connectors are also "CO:" display parameters (CO = Connector Output).

Parameterization:

At the signal destination, the required binector or connector is selected using appropriate parameters:
 "BI:" parameter for binectors (BI = Binector Input)
 or
 "CI:" parameter for connectors (CI = Connector Input)

Example:

The main setpoint for the speed controller (CI: p1070) should be received from the output of the motorized potentiometer (CO: r1050) and the "jog" command (BI: p1055) from Digital Input DI0 (BO: r0722.0, Terminal 5 (Kl. 5)) on the CU.



Parameterizing steps:

- ① p1055[0] = 722.0 Terminal 5 (Kl. 5) acts as "Jog bit 0".
- ② p1070[0] = 1050 The output of the motorized potentiometer acts as main setpoint for the speed controller.

1	2	3	4	5	6	7	8
Explanations on the function diagrams					fp_1030_97_61.vsd	Function diagram	
Handling BICO technology					07.04.2014 V4.7	SINAMICS G120C	

3.3 Input/output terminals

Function diagrams

2201 – Connection overview	328
2221 – Digital inputs, electrically isolated (DI 0 ... DI 5)	329
2241 – Digital outputs (DO 0 ... DO 1)	330
2250 – Analog input 0 (AI 0)	331
2255 – Analog inputs as digital inputs (DI 11)	332
2260 – Analog output 0 (AO 0)	333
2272 – Two-wire control	334
2273 – Three-wire control	335

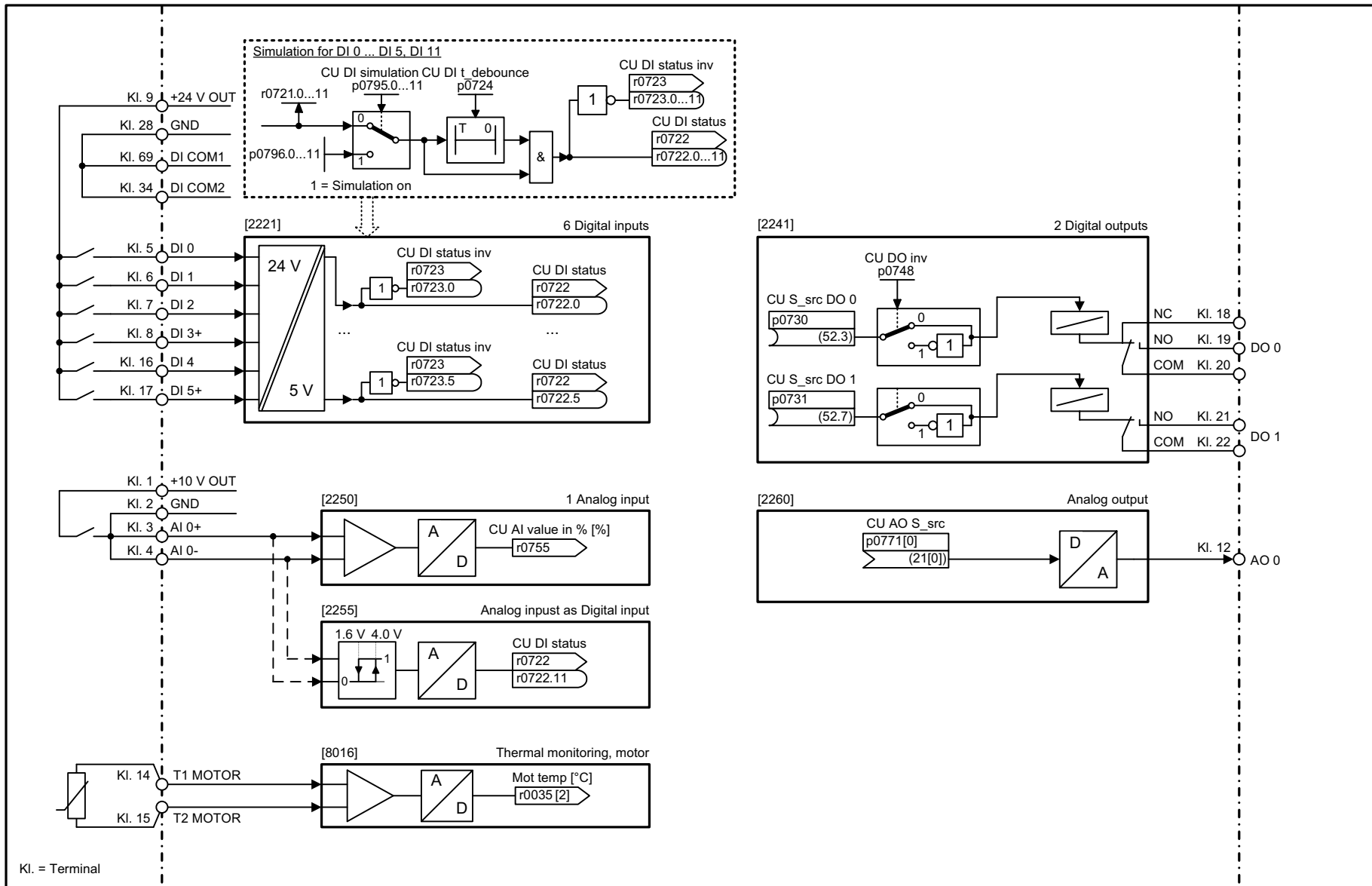
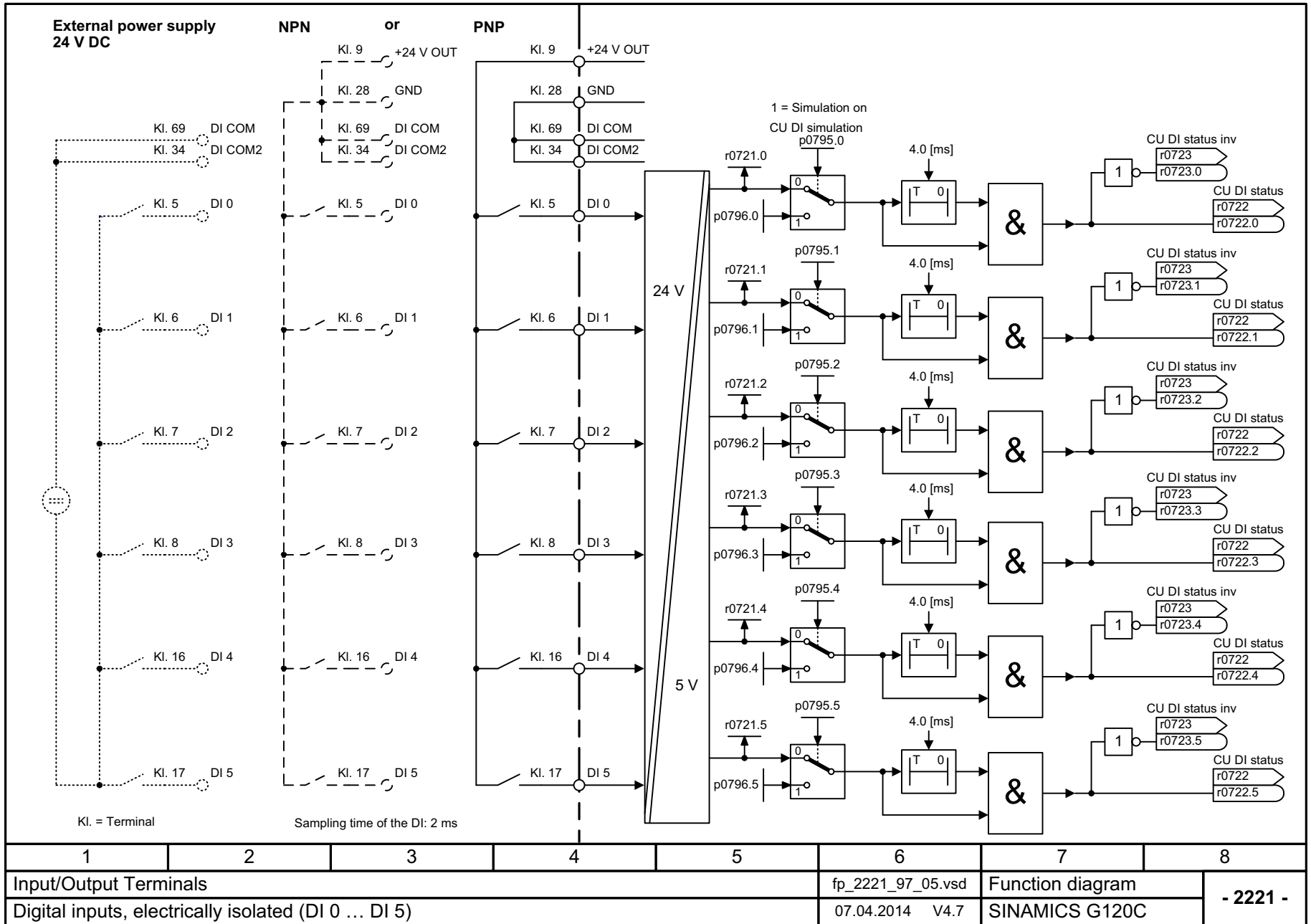


Fig. 3-5 2201 – Connection overview

1	2	3	4	5	6	7	8
Input/Output Terminals					fp_2201_97_05.vsd	Function diagram	
Connection overview					07.04.2014 V4.7	SINAMICS G120C	
							- 2201 -

Fig. 3-6 2221 – Digital inputs, electrically isolated (DI 0 ... DI 5)



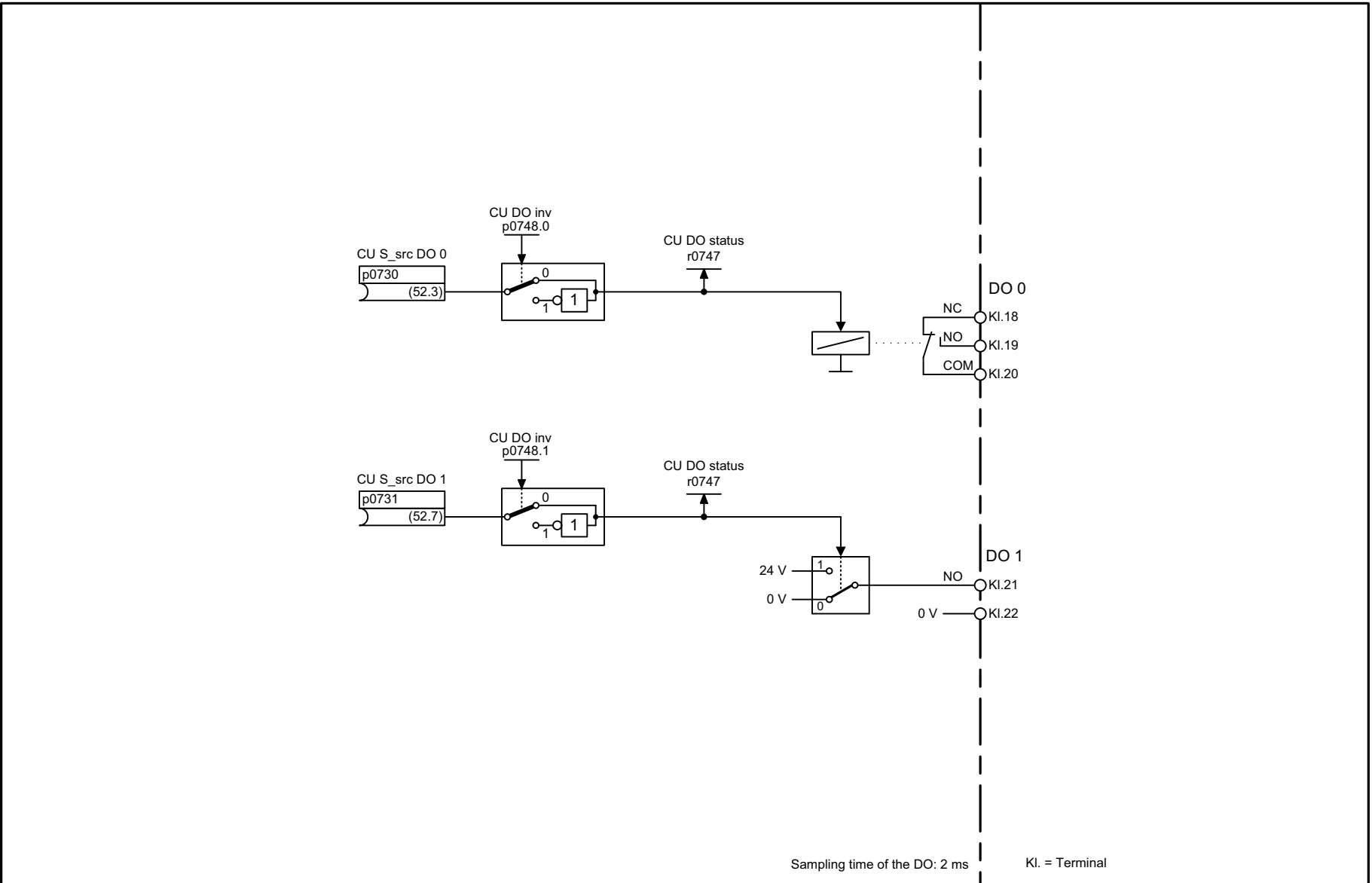
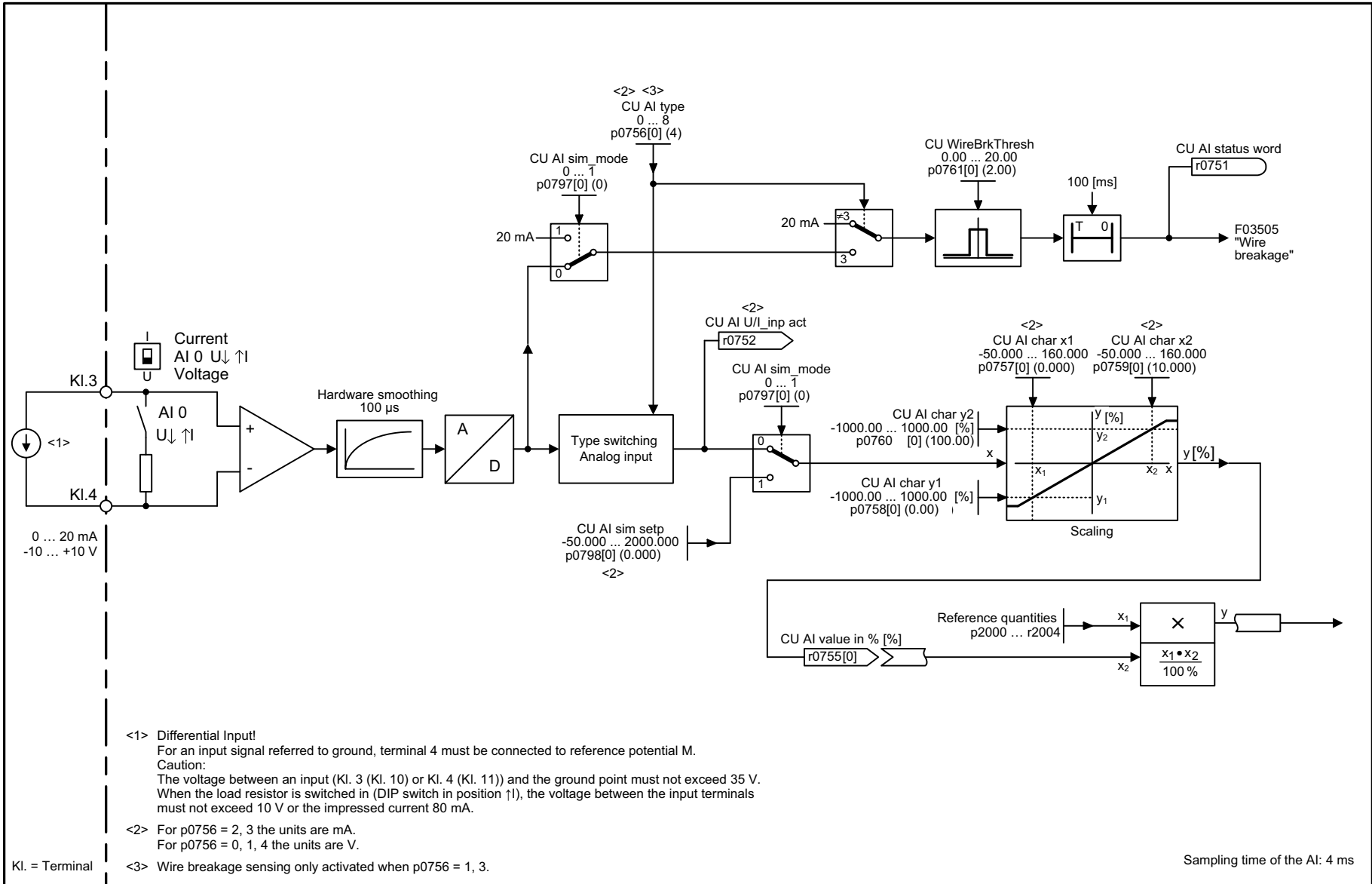


Fig. 3-7 2241 – Digital outputs (DO 0 ... DO 1)

1	2	3	4	5	6	7	8
Input/Output Terminals					fp_2241_97_05.vsd	Function diagram	
Digital outputs (DO 0 ... DO 1)					07.04.2014 V4.7	SINAMICS G120C	
- 2241 -							

Fig. 3-8 2250 – Analog input 0 (AI 0)



1	2	3	4	5	6	7	8
Input/Output Terminals					fp_2250_97_05.vsd	Function diagram	
Analog input 0 (AI 0)					07.04.2014 V4.7	SINAMICS G120C	
							- 2250 -

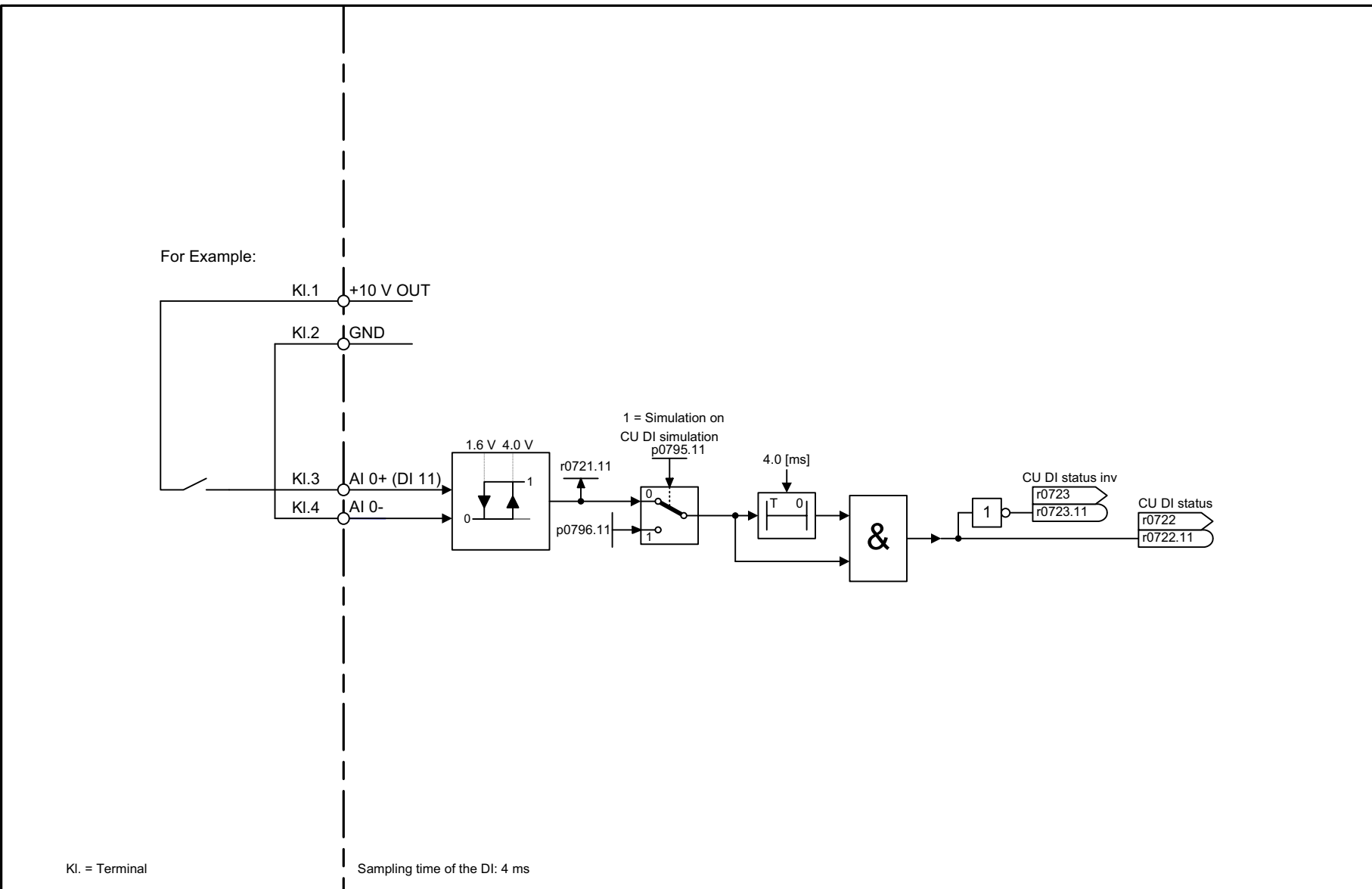
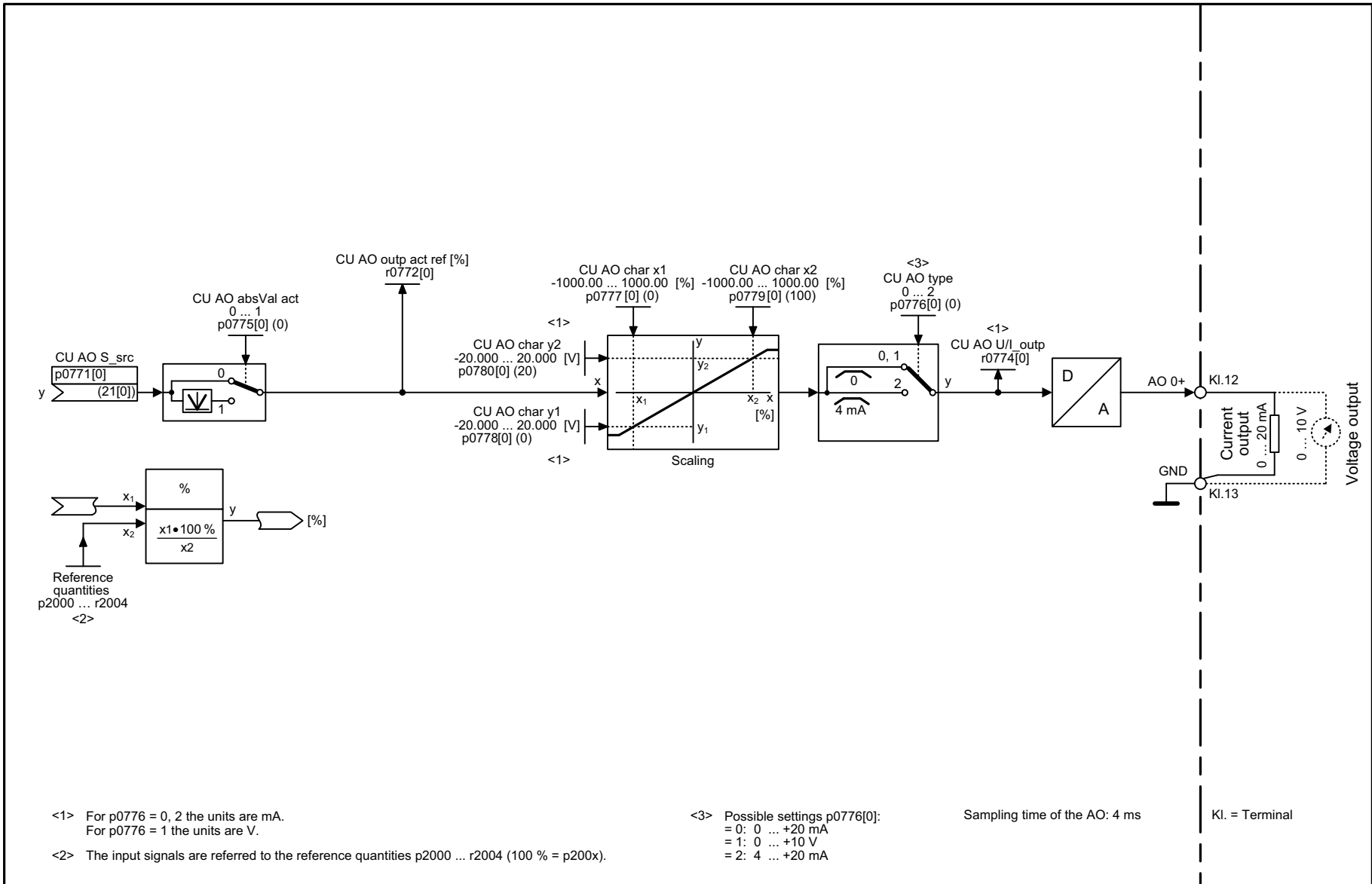


Fig. 3-9 2255 – Analog inputs as digital inputs (DI 11)

1	2	3	4	5	6	7	8
Input/Output Terminals					fp_2255_97_05.vsd	Function diagram	
Analog inputs as Digital input (DI 11)					07.04.2014 V4.7	SINAMICS G120C	

Fig. 3-10 2260 – Analog output 0 (AO 0)



<1> For p0776 = 0, 2 the units are mA.
For p0776 = 1 the units are V.

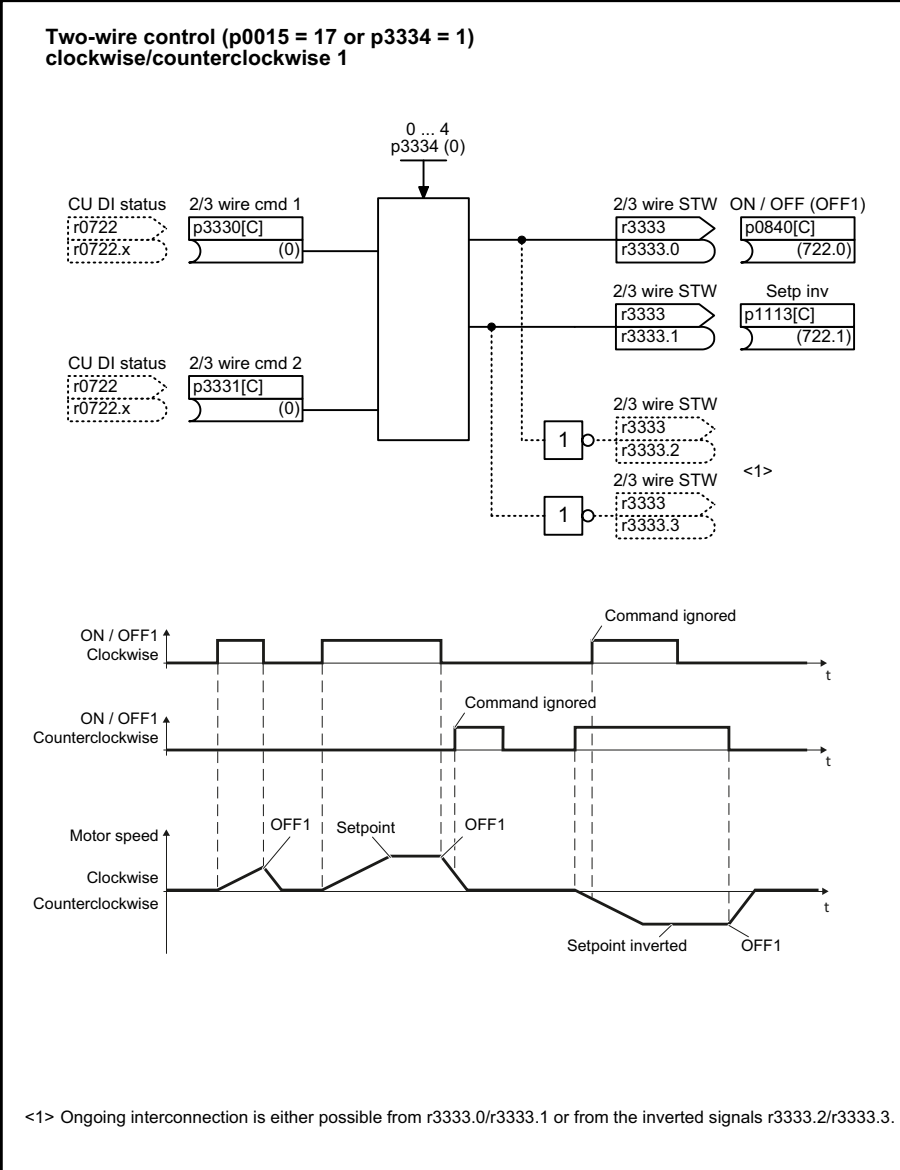
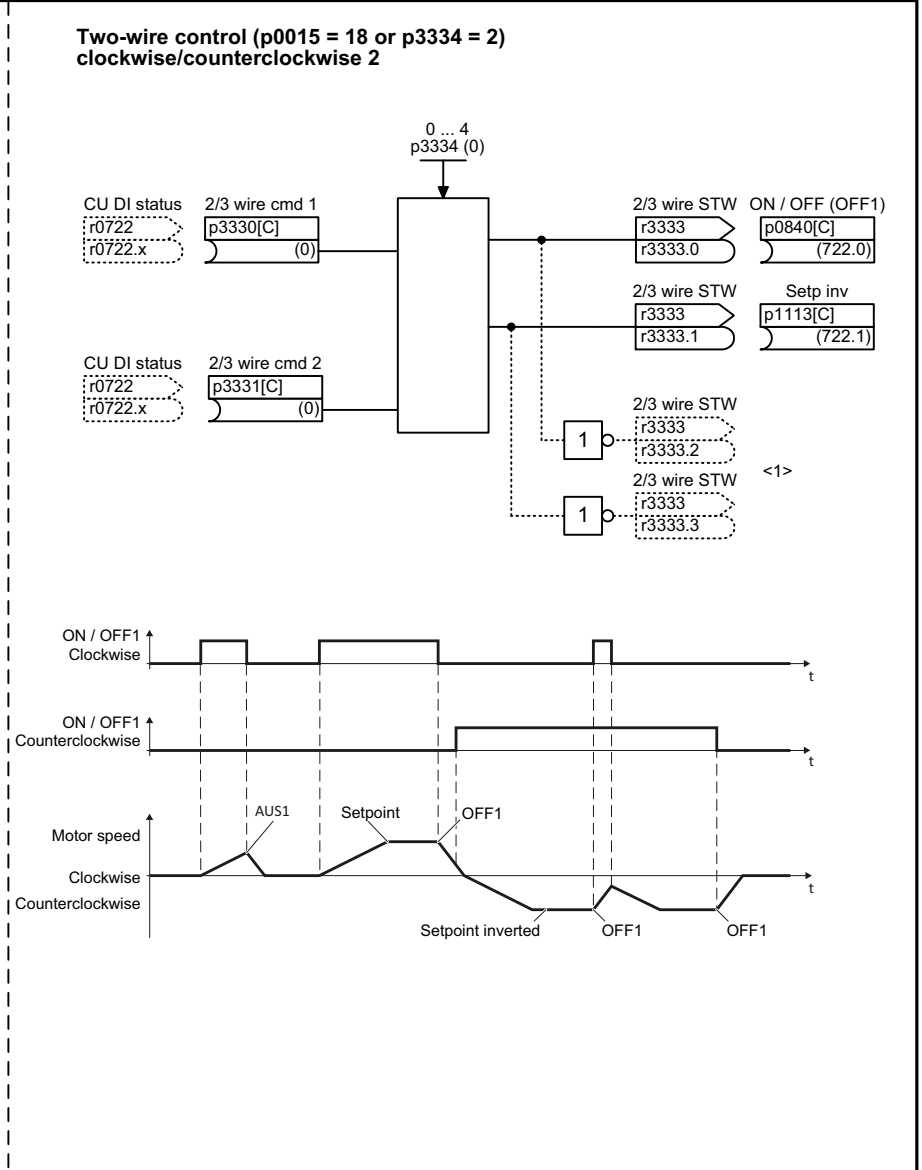
<2> The input signals are referred to the reference quantities p2000 ... r2004 (100 % = p200x).

<3> Possible settings p0776[0]:
= 0: 0 ... +20 mA
= 1: 0 ... +10 V
= 2: 4 ... +20 mA

Sampling time of the AO: 4 ms

KI. = Terminal

1	2	3	4	5	6	7	8
Input/Output Terminals					fp_2260_97_05.vsd	Function diagram	
Analog output 0 (AO 0)					07.04.2014 V4.7	SINAMICS G120C	

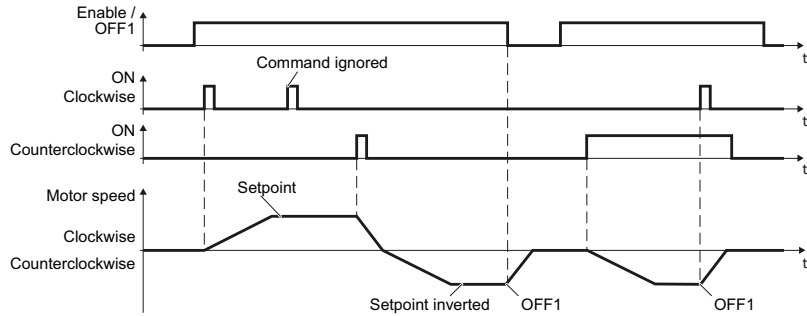
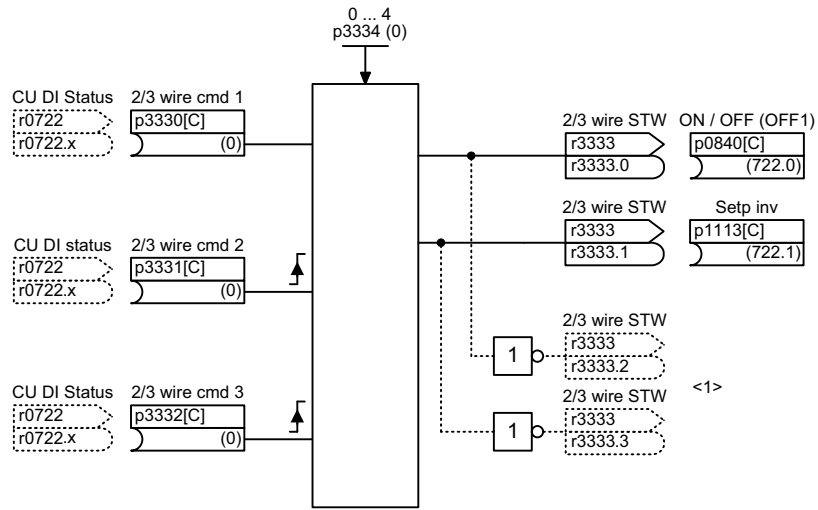


1	2	3	4	5	6	7	8
Input/Output Terminals					fp_2272_97_62.vsd	Function diagram	
Two-wire control					07.04.2014 V4.7	SINAMICS G120C	

Fig. 3-11 2272 – Two-wire control

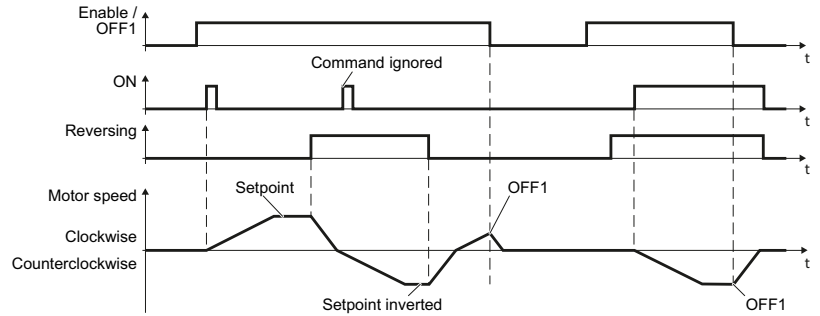
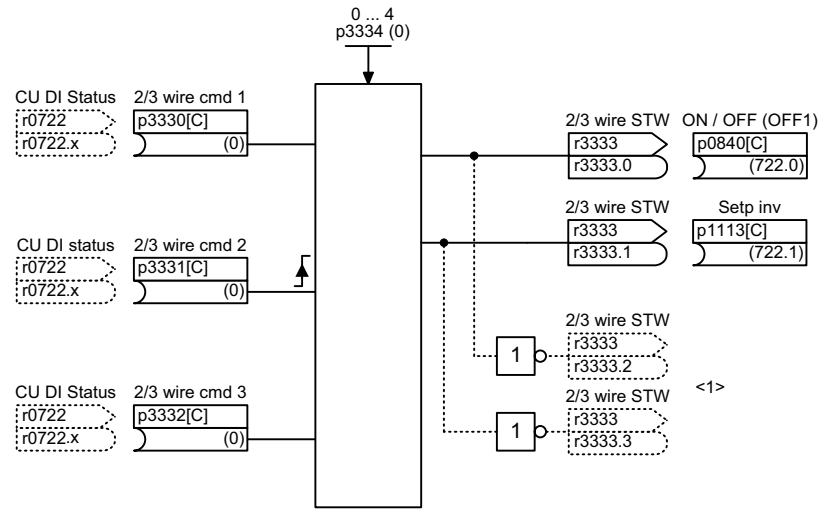
Fig. 3-12 2273 – Three-wire control

**Three-wire control (p0015 = 19 or p3334 = 3)
enable clockwise/counterclockwise**



<1> Ongoing interconnection is either possible from r3333.0/r3333.1 or from the inverted signals r3333.2/r3333.3.

**Three-wire control (p0015 = 20 or p3334 = 4)
enable ON/reversing**



1	2	3	4	5	6	7	8
Input/Output Terminals					fp_2273_97_62.vsd	Function diagram	
Three-wire control					07.04.2014 V4.7	SINAMICS G120C	

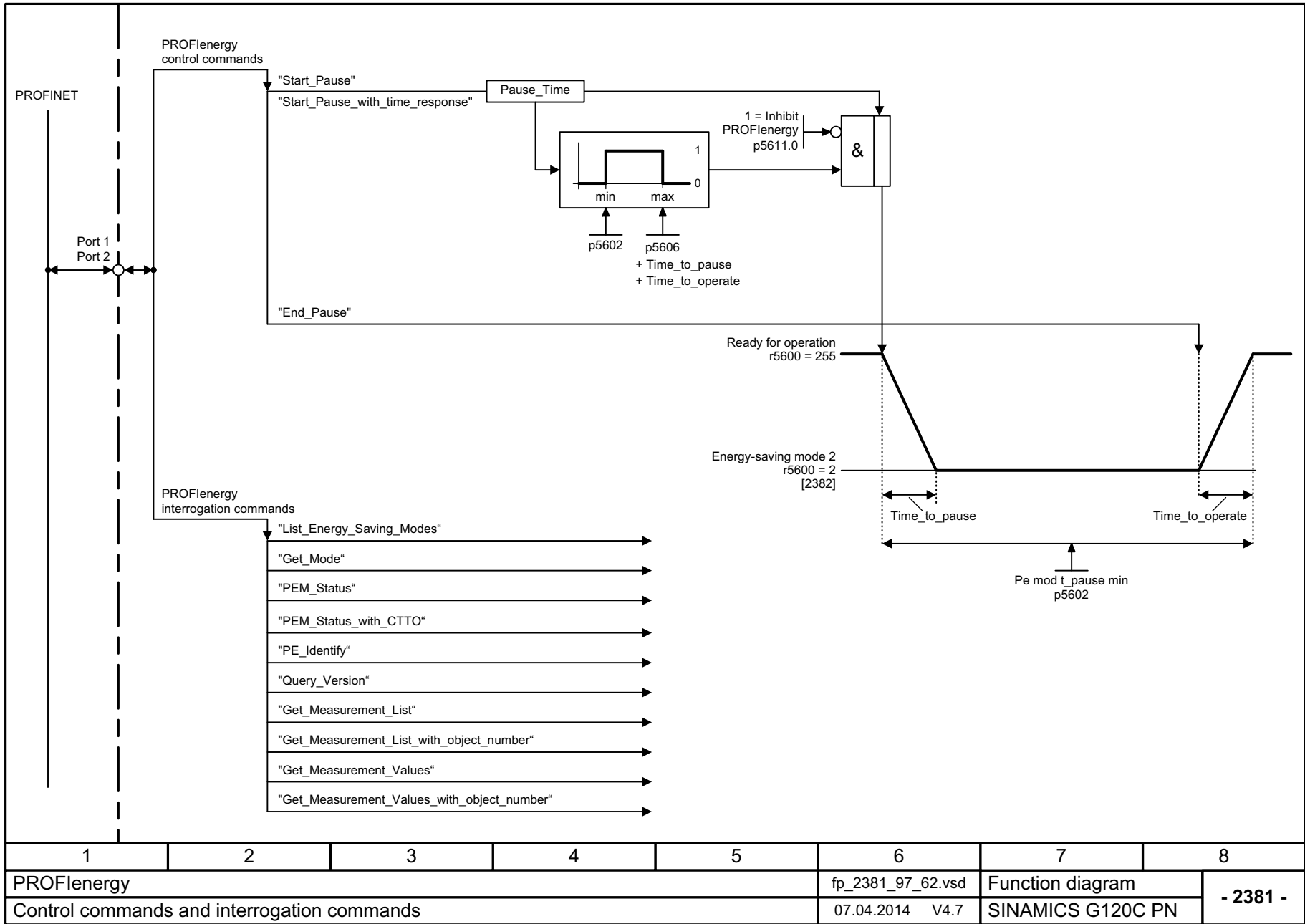
3.4 PROFlenergy

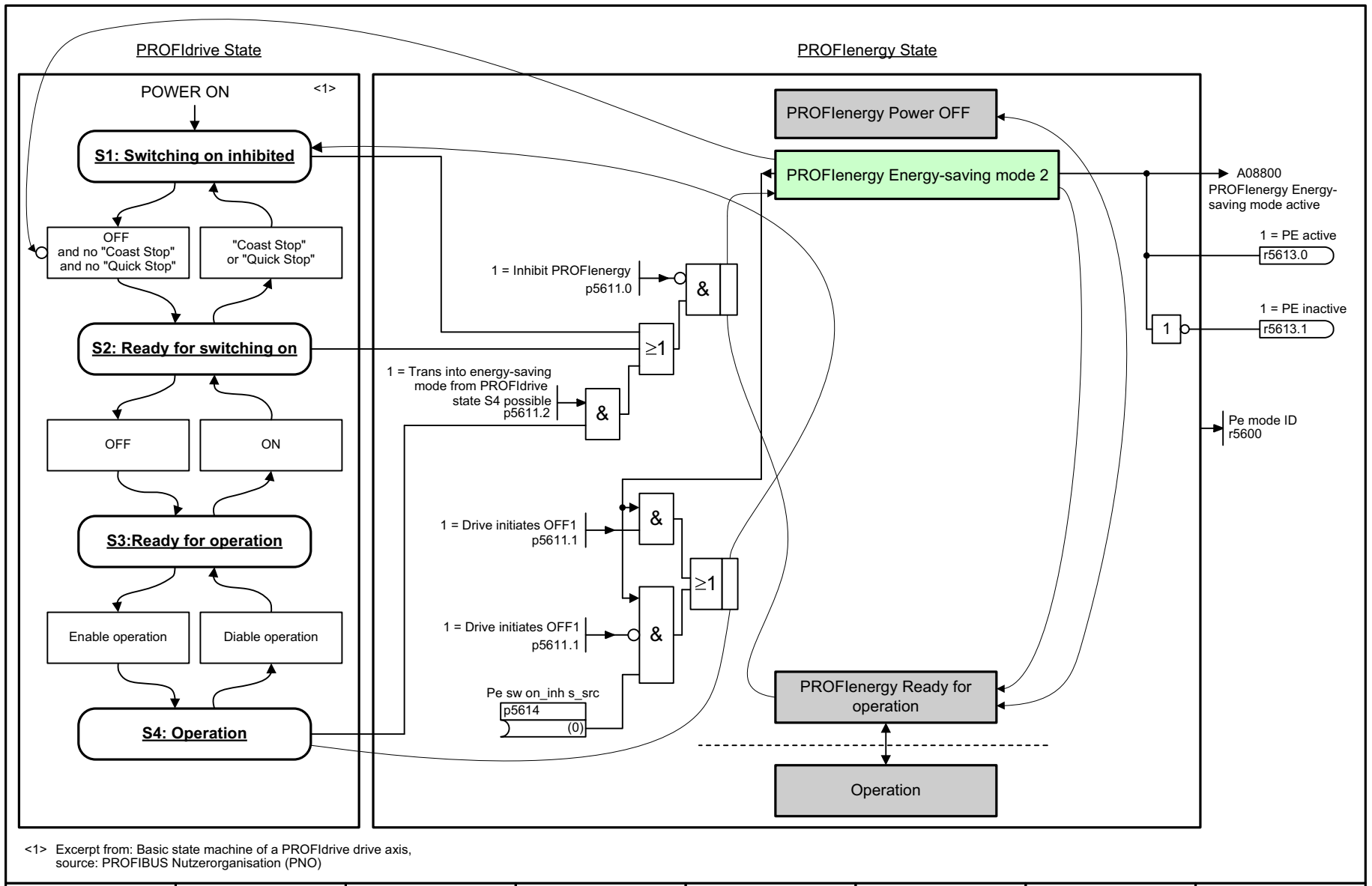
Function diagrams

2381 – Control commands and interrogation commands 337

2382 – States 338

Fig. 3-13 2381 – Control commands and interrogation commands





<1> Excerpt from: Basic state machine of a PROFdrive drive axis, source: PROFIBUS Nutzerorganisation (PNO)

Fig. 3-14 2382 – States

1	2	3	4	5	6	7	8
PROFlenergy					fp_2382_97_62.vsd	Function diagram	
States					07.04.2014 V4.7	SINAMICS G120C PN	

3.5 PROFIdrive communication (PROFIBUS/PROFINET)

Function diagrams

2401 – Overview	340
2410 – PROFIBUS (PB) / PROFINET (PN), addresses and diagnostics	341
2420 – Telegrams and process data (PZD)	342
2440 – PZD receive signals interconnection	343
2441 – STW1 control word interconnection (p2038 = 2)	344
2442 – STW1 control word interconnection (p2038 = 0)	345
2446 – STW3 control word interconnection	346
2450 – PZD send signals interconnection	347
2451 – ZSW1 status word interconnection (p2038 = 2)	348
2452 – ZSW1 status word interconnection (p2038 = 0)	349
2456 – ZSW3 status word interconnection	350
2468 – Receive telegram, free interconnection via BICO (p0922 = 999)	351
2470 – Send telegram, free interconnection via BICO (p0922 = 999)	352

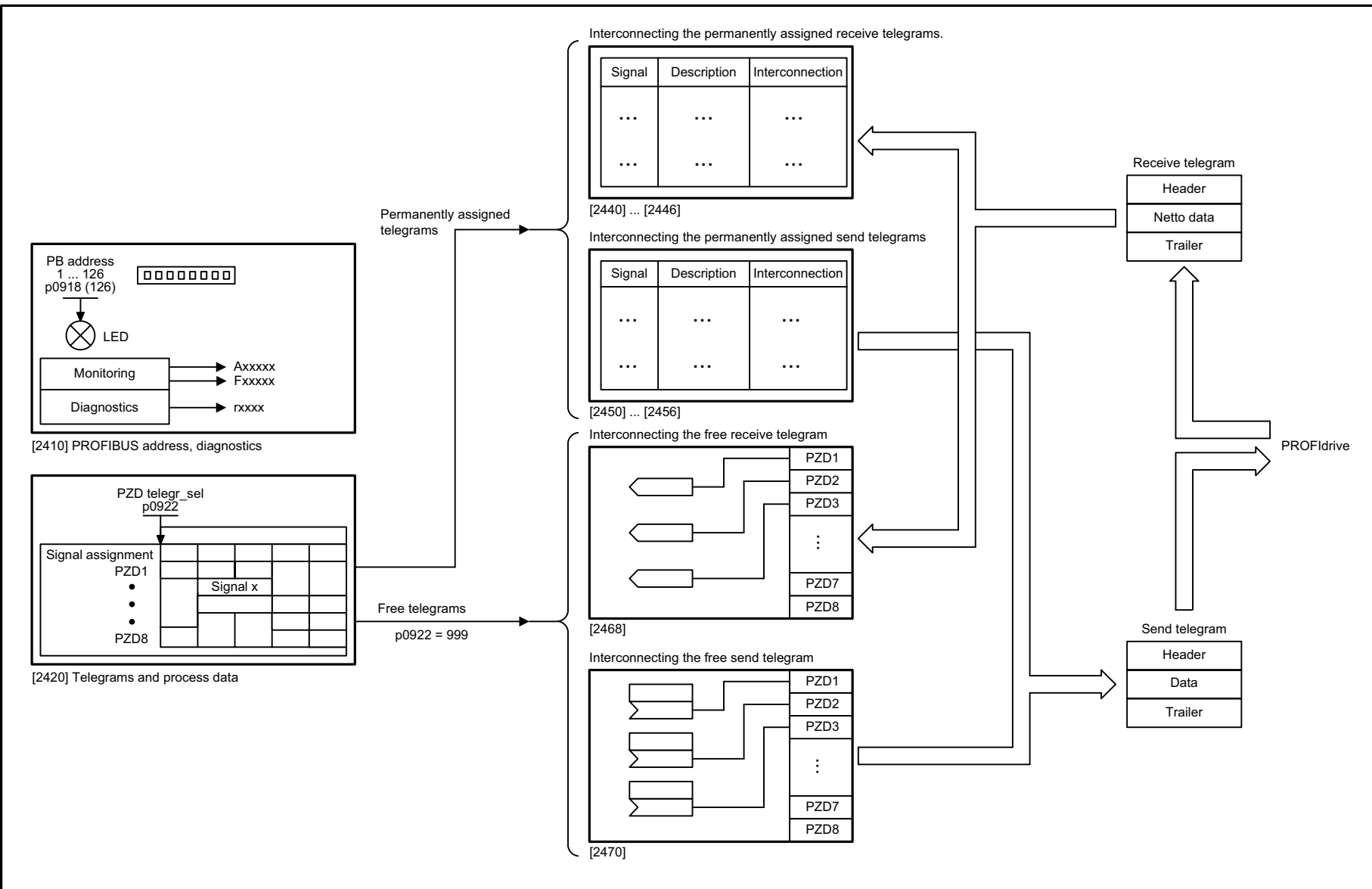
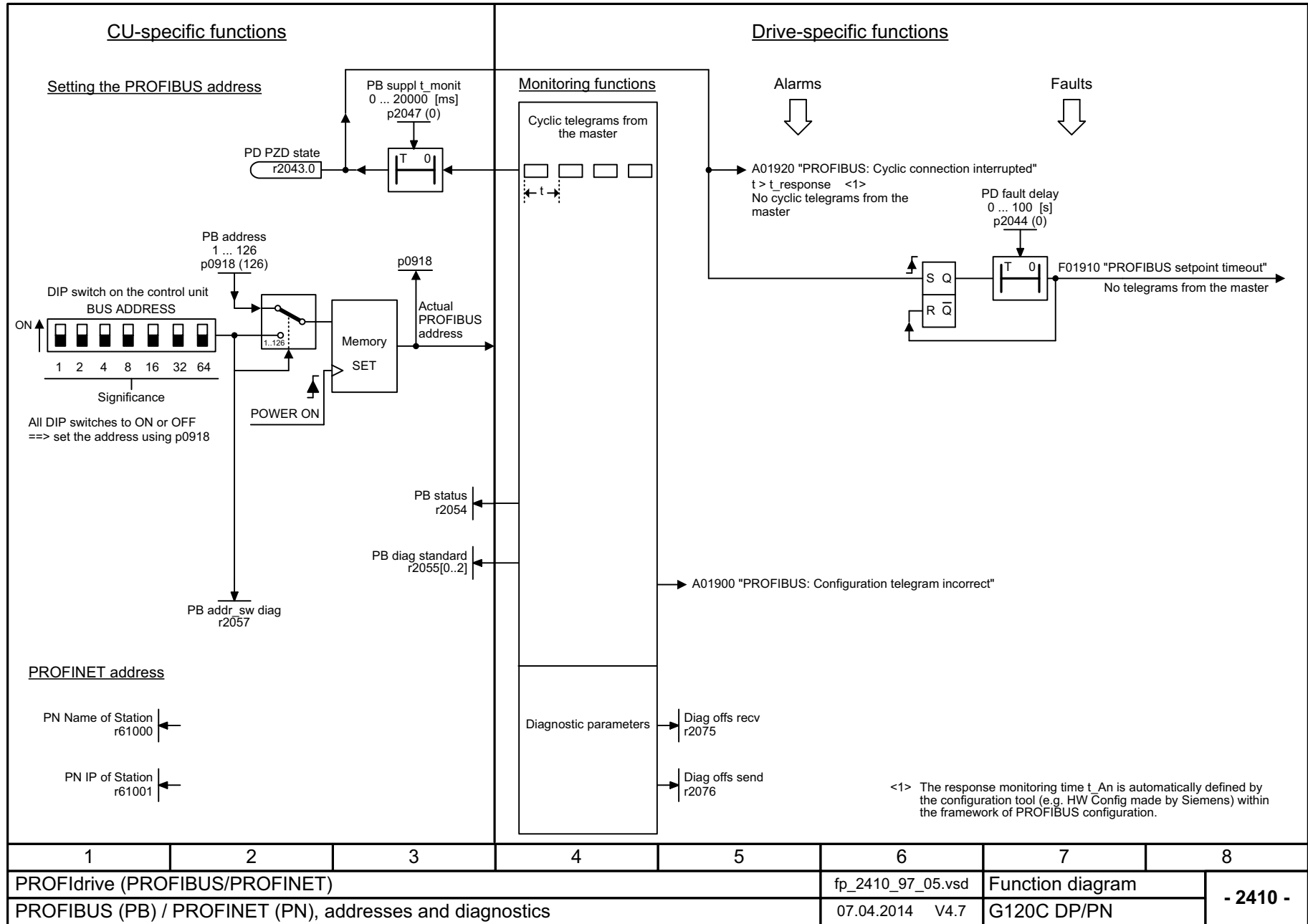


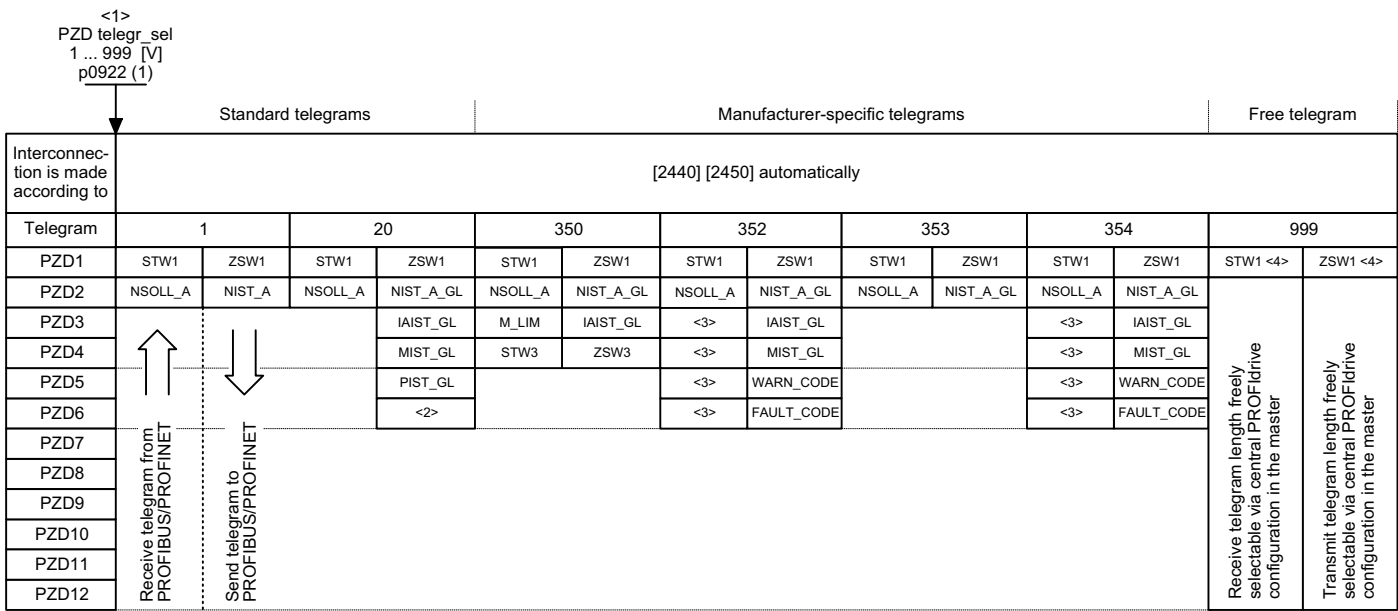
Fig. 3-15 2401 – Overview

1	2	3	4	5	6	7	8
PROFIdrive (PROFIBUS/PROFINET)					fp_2401_97_61.vsd	Function diagram	
Overview					07.04.2014 V4.7	SINAMICS G120C DP	
- 2401 -							

Fig. 3-16 2410 – PROFIBUS (PB) / PROFINET (PN), addresses and diagnostics



1	2	3	4	5	6	7	8
PROFIdrive (PROFIBUS/PROFINET)					fp_2410_97_05.vsd	Function diagram	
PROFIBUS (PB) / PROFINET (PN), addresses and diagnostics					07.04.2014 V4.7	G120C DP/PN	
							- 2410 -

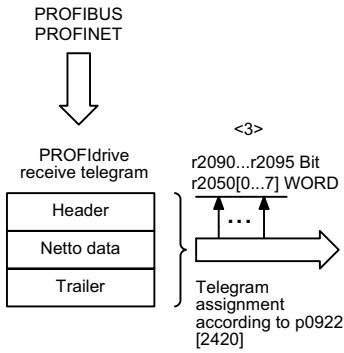


<1> If p0922 = 999 is changed to another value, the telegram is automatically assigned.
 If p0922 unequal 999 is changed to p0922 = 999, the "old" telegram assignment is maintained!
 <2> Freely interconnectable (pre-setting: MELD_NAMUR).
 <3> Can be freely connected.
 <4> In order to comply with the PROFIdrive profile, PZD1 must be used as control word 1 (STW1) or status word 1 (ZSW1).
 p2037 = 2 should be set if STW1 is not transferred with PZD1 as specified in the PROFIdrive profile.

1	2	3	4	5	6	7	8
PROFIdrive (PROFIBUS/PROFINET)					fp_2420_97_67.vsd	Function diagram	
Telegrams and Process Data (PZD)					07.04.2014 V4.7	G120C DP/PN	

Fig. 3-17 2420 – Telegrams and process data (PZD)

Fig. 3-18 2440 – PZD receive signals interconnection



Signal receivers for PZD receive signals						
Signal	Meaning	PROFIdrive Signal No.	Interconnection parameter	Function diagram	Data type	Scaling
STW1	Control word 1	1	(bit serial)	[2442]	U16	-
NSOLL_A	Speed setpoint A (16-bit)	5	p1070	[3030.2]	I16	4000 hex \pm p2000
M_LIM	Torque limit	310	p1552, p1554	[6060.1]	U16	4000 hex \pm 100 %
STW3	Control word 3	304	(bit serial)	[2446]	U16	-

<1> When selecting a standard telegram or a manufacturer-specific telegram via p0922, these interconnection parameters of the command data set CDS are automatically set to 0.
 <2> Data type according to the PROFIdrive profile: I16 = Integer16, U16 = Unsigned16.
 <3> Display parameters for receive data according to [2468].
 <4> Only SIEMENS telegram 350

1	2	3	4	5	6	7	8
PROFIdrive (PROFIBUS/PROFINET)					fp_2440_97_64.vsd	Function diagram	
PZD receive signals interconnection					07.04.2014 V4.7	G120C DP/PN	
							- 2440 -

Signal targets for STW1 in Interface Mode VIK-NAMUR (p2038 = 2)						<1>
Signal	Meaning	Interconnection parameters	[Function diagram] internal control word	[Function diagram] signal target	Inverted	
STW1.0	▲ = ON (pulses can be enabled) 0 = OFF1 (braking with ramp-function generator, then pulse suppression & ready for switching on)	p0840[0] = r2090.0	[2501.3]	Sequence control	-	
STW1.1	1 = No OFF2 (enable is possible) 0 = OFF2 (immediate pulse suppression and switching on inhibited)	p0844[0] = r2090.1	[2501.3]	Sequence control	-	
STW1.2	1 = No OFF3 (enable is possible) 0 = OFF3 (braking with the OFF3 ramp p1135, then pulse suppression and switching on inhibited)	p0848[0] = r2090.2	[2501.3]	Sequence control	-	
STW1.3	1 = Enable operation (pulses can be enabled) 0 = Inhibit operation (suppress pulses)	p0852[0] = r2090.3	[2501.3]	Sequence control	-	
STW1.4	1 = Ramp-function generator enable 0 = Inhibit ramp-function generator (set the ramp-function generator output to zero)	p1140[0] = r2090.4	[2501.3]	[3070]	-	
STW1.5	1 = Continue ramp-function generator 0 = Freezes the ramp-function generator	p1141[0] = r2090.5	[2501.3]	[3070]	-	
STW1.6	1 = Setpoint enable 0 = Inhibits the setpoint (the ramp-function generator input is set to zero)	p1142[0] = r2090.6	[2501.3]	[3070]	-	
STW1.7	▲ = Acknowledge faults	p2103[0] = r2090.7	[2546.1]	[8060]	-	
STW1.8	Reserved	-	-	-	-	
STW1.9	Reserved	-	-	-	-	
STW1.10	1 = Control via PLC <2>	p0854[0] = r2090.10	[2501.3]	[2501]	-	
STW1.11	1 = Dir of rot reversal <4>	p1113[0] = r2090.11	[2505.3]	[3040]	-	
STW1.12	Reserved	-	-	-	-	
STW1.13	Reserved	-	-	-	-	
STW1.14	Reserved	-	-	-	-	
STW1.15	1 = CDS selection	p0810[0] = 2090.15 <3>	-	[8565]	-	

<1> Used in telegram 20.
 <2> Bit 10 in STW1 must be set to ensure that the drive accepts the process data.
 <3> Interconnection is not inhibited.
 <4> The direction reversal can be locked. See p1110 and p1111.

1	2	3	4	5	6	7	8
PROFIdrive (PROFIBUS/PROFINET)					fp_2441_97_61.vsd	Function diagram	
STW1 control word interconnection (p2038 = 2)					07.04.2014 V4.7	G120C DP/PN	

Fig. 3-19 2441 – STW1 control word interconnection (p2038 = 2)

Signal targets for STW1 in Interface Mode SINAMICS (p2038 = 0)							
Signal	Meaning	Interconnection parameters	[Function diagram] internal control word	[Function diagram] signal target	Inverted		
STW1.0	1 = ON (pulses can be enabled) 0 = OFF1 (braking with ramp-function generator, then pulse suppression & ready for switching on)	p0840[0] = r2090.0	[2501.3]	Sequence control	-		
STW1.1	1 = No OFF2 (enable is possible) 0 = OFF2 (immediate pulse suppression and switching on inhibited)	p0844[0] = r2090.1	[2501.3]	Sequence control	-		
STW1.2	1 = No OFF3 (enable is possible) 0 = OFF3 (braking with the OFF3 ramp p1135, then pulse suppression and switching on inhibited)	p0848[0] = r2090.2	[2501.3]	Sequence control	-		
STW1.3	1 = Enable operation (pulses can be enabled) 0 = Inhibit operation (suppress pulses)	p0852[0] = r2090.3	[2501.3]	Sequence control	-		
STW1.4	1 = Ramp-function generator enable 0 = Inhibit ramp-function generator (set the ramp-function generator output to zero)	p1140[0] = r2090.4	[2501.3]	[3070]	-		
STW1.5	1 = Continue ramp-function generator 0 = Freezes the ramp-function generator	p1141[0] = r2090.5	[2501.3]	[3070]	-		
STW1.6	1 = Setpoint enable 0 = Inhibits the setpoint (the ramp-function generator input is set to zero)	p1142[0] = r2090.6	[2501.3]	[3070]	-		
STW1.7	1 = Acknowledge faults	p2103[0] = r2090.7	[2546.1]	[8060]	-		
STW1.8	Reserved	-	-	-	-		
STW1.9	Reserved	-	-	-	-		
STW1.10	1 = Control via PLC <1>	p0854[0] = r2090.10	[2501.3]	[2501]	-		
STW1.11	1 = Dir of rot reversal <2>	p1113[0] = r2090.11	[2505.3]	[3040]	-		
STW1.12	Reserved	-	-	-	-		
STW1.13	1 = Motorized potentiometer, setpoint, raise	p1035[0] = r2090.13	[2505.3]	[3020]	-		
STW1.14	1 = Motorized potentiometer, setpoint, lower	p1036[0] = r2090.14	[2505.3]	[3020]	-		
STW1.15	Reserved	-	-	-	-		

<1> Bit 10 in STW1 must be set to ensure that the drive accepts the process data.
 <2> The direction reversal can be locked. See p1110 and p1111.

1	2	3	4	5	6	7	8
PROFIdrive (PROFIBUS/PROFINET)					fp_2442_97_61.vsd	Function diagram	
STW1 control word interconnection (p2038 = 0)					07.04.2014 V4.7	G120C DP/PN	
							- 2442 -

Fig. 3-20 2442 – STW1 control word interconnection (p2038 = 0)

Signal targets for STW3 in Interface Mode SINAMICS						<1>
Signal	Meaning	Interconnection parameters	[Function diagram] internal control word	[Function diagram] signal target	Inverted	
STW3.0	1 = Fixed setp bit 0	p1020[0] = r2093.0	[3010.2]	[3010.2]	-	
STW3.1	1 = Fixed setp bit 1	p1021[0] = r2093.1	[2513.2]	[3010.2]	-	
STW3.2	1 = Fixed setp bit 2	p1022[0] = r2093.2	[2513.2]	[3010.2]	-	
STW3.3	1 = Fixed setp bit 3	p1023[0] = r2093.3	[2513.2]	[3010.2]	-	
STW3.4	Reserved	-	-	-	-	
STW3.5	Reserved	-	-	-	-	
STW3.6	Reserved	-	-	-	-	
STW3.7	Reserved	-	-	-	-	
STW3.8	1 = Technology controller enable	p2200[0] = r2093.8	[2513.2]	[7958.4]	-	
STW3.9	1 = DC brake enable	p1230[0] = r2093.9	[2513.2]	[7017.1]	-	
STW3.10	Reserved	-	-	-	-	
STW3.11	Reserved	-	-	-	-	
STW3.12	Reserved	-	-	-	-	
STW3.13	0 = External fault 1 (F07860)	p2106[0] = r2093.13	[2513.2]	[8060.1]	-	
STW3.14	Reserved	-	-	-	-	
STW3.15	Reserved	-	-	-	-	

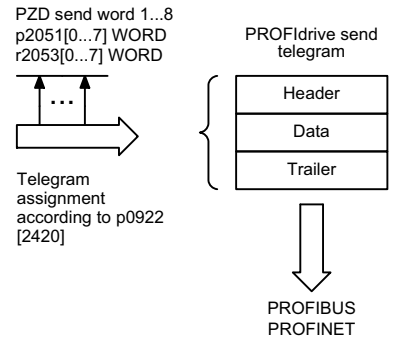
<1> Used in telegram 350.

1	2	3	4	5	6	7	8
PROFIdrive (PROFIBUS/PROFINET)					fp_2446_97_05.vsd	Function diagram	
STW3 control word interconnection					07.04.2014 V4.7	G120C DP/PN	
							- 2446 -

Fig. 3-21 2446 – STW3 control word interconnection

Fig. 3-22 2450 – PZD send signals interconnection

Signal sources for PZD send signals <1>						
Signal	Description	PROFIdrive Signal No.	Interconnection parameter	Function diagram	Data type	Scaling
ZSW1	Status word 1	2	r2089[0]	[2452]	U16	-
NIST_A	Actual speed A (16 bit)	6	r0063[0]	-	I16	4000 hex $\hat{=}$ p2000
IAIST_GLATT	Absolute actual current, smoothed	51	r0068[1]	[6799]	I16	4000 hex $\hat{=}$ p2002
MIST_GLATT	Actual torque smoothed	53	r0080[1]	[6799]	I16	4000 hex $\hat{=}$ p2003
PIST_GLATT	Power factor, smoothed	54	r0082[1]	[6799]	I16	4000 hex $\hat{=}$ p2004
NIST_A_GLATT	Actual speed, smoothed	57	r0063[1]	-	I16	4000 hex $\hat{=}$ p2000
MELD_NAMUR	VIK-NAMUR message bit bar	58	r3113	-	U16	
FAULT_CODE	Fault code	301	r2131	[8060]	U16	
WARN_CODE	Alarm code	303	r2132	[8065]	U16	
ZSW3	Status word 3	305	r0053	[2456]	U16	



<1> Data type according to the PROFIdrive profile: I16 = Integer16, U16 = Unsigned16.

1	2	3	4	5	6	7	8
PROFIdrive (PROFIBUS/PROFINET)					fp_2450_97_64.vsd	Function diagram	
PZD send signals interconnection					07.04.2014 V4.7	G120C DP/PN	
							- 2450 -

Signal sources for ZSW1 in Interface Mode VIK-NAMUR (p2038 = 2)					
Signal	Meaning	Interconnection parameters	[Function diagram] internal control word	[Function diagram] signal target	Inverted <1>
ZSW1.0	1 = Ready for switching on	p2080[0] = r0899.0	[2503.7]	Sequence control	-
ZSW1.1	1 = Ready for operation (DC link loaded, pulses inhibited)	p2080[1] = r0899.1	[2503.7]	Sequence control	-
ZSW1.2	1 = Operation enabled (drive follows n_set)	p2080[2] = r0899.2	[2503.7]	Sequence control	-
ZSW1.3	1 = Fault present	p2080[3] = r2139.3	[2548.7]	[8060]	-
ZSW1.4	1 = No coast down active (OFF2 inactive)	p2080[4] = r0899.4	[2503.7]	Sequence control	-
ZSW1.5	1 = No quick stop active (OFF3 inactive)	p2080[5] = r0899.5	[2503.7]	Sequence control	-
ZSW1.6	1 = Switching on inhibited active	p2080[6] = r0899.6	[2503.7]	Sequence control	-
ZSW1.7	1 = Alarm present	p2080[7] = r2139.7	[2548.7]	[8065]	-
ZSW1.8	1 = Speed setpoint - actual value deviation within tolerance t_off	p2080[8] = r2197.7	[2534.7]	[8011]	-
ZSW1.9	1 = Control requested	p2080[9] = r0899.9	[2503.7]	[2503]	-
ZSW1.10	1 = f or n comparison value reached/exceeded	p2080[10] = r2199.1	[2537.7]	[8010]	-
ZSW1.11	1 = I, M, or P limit not reached	p2080[11] = r0056.13	[2522.7]	[6060]	✓
ZSW1.12	Reserved	-	-	-	-
ZSW1.13	1 = No motor overtemperature alarm	p2080[13] = r2135.14	[2548.7]	[8016]	✓
ZSW1.14	1 = Motor rotates forwards (n_act ≥ 0)	p2080[14] = r2197.3	[2534.7]	[8011]	-
ZSW1.15	1 = Display CDS	p2080[15] = r0836.0 <2>	-	-	-

<1> The ZSW1 is generated using the binector-connector converter (BI: p2080[0...15], inversion: p2088[0].0...p2088[0].15).
<2> Interconnection is not inhibited.

1	2	3	4	5	6	7	8
PROFIdrive (PROFIBUS/PROFINET)					fp_2451_97_61.vsd	Function diagram	
ZSW1 status word interconnection (p2038 = 2)					07.04.2014 V4.7	G120C DP/PN	
							- 2451 -

Fig. 3-23 2451 – ZSW1 status word interconnection (p2038 = 2)

Fig. 3-24 2452 – ZSW1 status word interconnection (p2038 = 0)

Signal sources for ZSW1 im Interface Mode SINAMICS (p2038 = 0)					
Signal	Meaning	Interconnection parameters	[Function diagram] internal control word	[Function diagram] signal target	Inverted <1>
ZSW1.0	1 = Ready for switching on	p2080[0] = r0899.0	[2503.7]	Sequence control	-
ZSW1.1	1 = Ready for operation (DC link loaded, pulses inhibited)	p2080[1] = r0899.1	[2503.7]	Sequence control	-
ZSW1.2	1 = Operation enabled (drive follows n_set)	p2080[2] = r0899.2	[2503.7]	Sequence control	-
ZSW1.3	1 = Fault present	p2080[3] = r2139.3	[2548.7]	[8060]	-
ZSW1.4	1 = No coast down active (OFF2 inactive)	p2080[4] = r0899.4	[2503.7]	Sequence control	-
ZSW1.5	1 = No quick stop active (OFF3 inactive)	p2080[5] = r0899.5	[2503.7]	Sequence control	-
ZSW1.6	1 = Switching on inhibited active	p2080[6] = r0899.6	[2503.7]	Sequence control	-
ZSW1.7	1 = Alarm present	p2080[7] = r2139.7	[2548.7]	[8065]	-
ZSW1.8	1 = Speed setpoint - actual value deviation within tolerance t_off	p2080[8] = r2197.7	[2534.7]	[8011]	-
ZSW1.9	1 = Control requested <2>	p2080[9] = r0899.9	[2503.7]	[2503]	-
ZSW1.10	1 = f or n comparison value reached/exceeded	p2080[10] = r2199.1	[2536.7]	[8010]	-
ZSW1.11	1 = I, M, or P limit not reached	p2080[11] = r1407.7	[2522.7]	[6060]	✓
ZSW1.12	1 = Open holding brake	p2080[12] = r0899.12	[2503.7]	[2701]	-
ZSW1.13	1 = No motor overtemperature alarm	p2080[13] = r2135.14	[2548.7]	[8016]	✓
ZSW1.14	1 = Motor rotates forwards (n_act ≥ 0)	p2080[14] = r2197.3	[2534.7]	[8011]	-
ZSW1.15	1 = No alarm, thermal overload, power unit	p2080[15] = r2135.15	[2548.7]	[8014]	✓

<1> The ZSW1 is generated using the binector-connector converter (BI: p2080[0...15], inversion: p2088[0]...p2088[0].15).

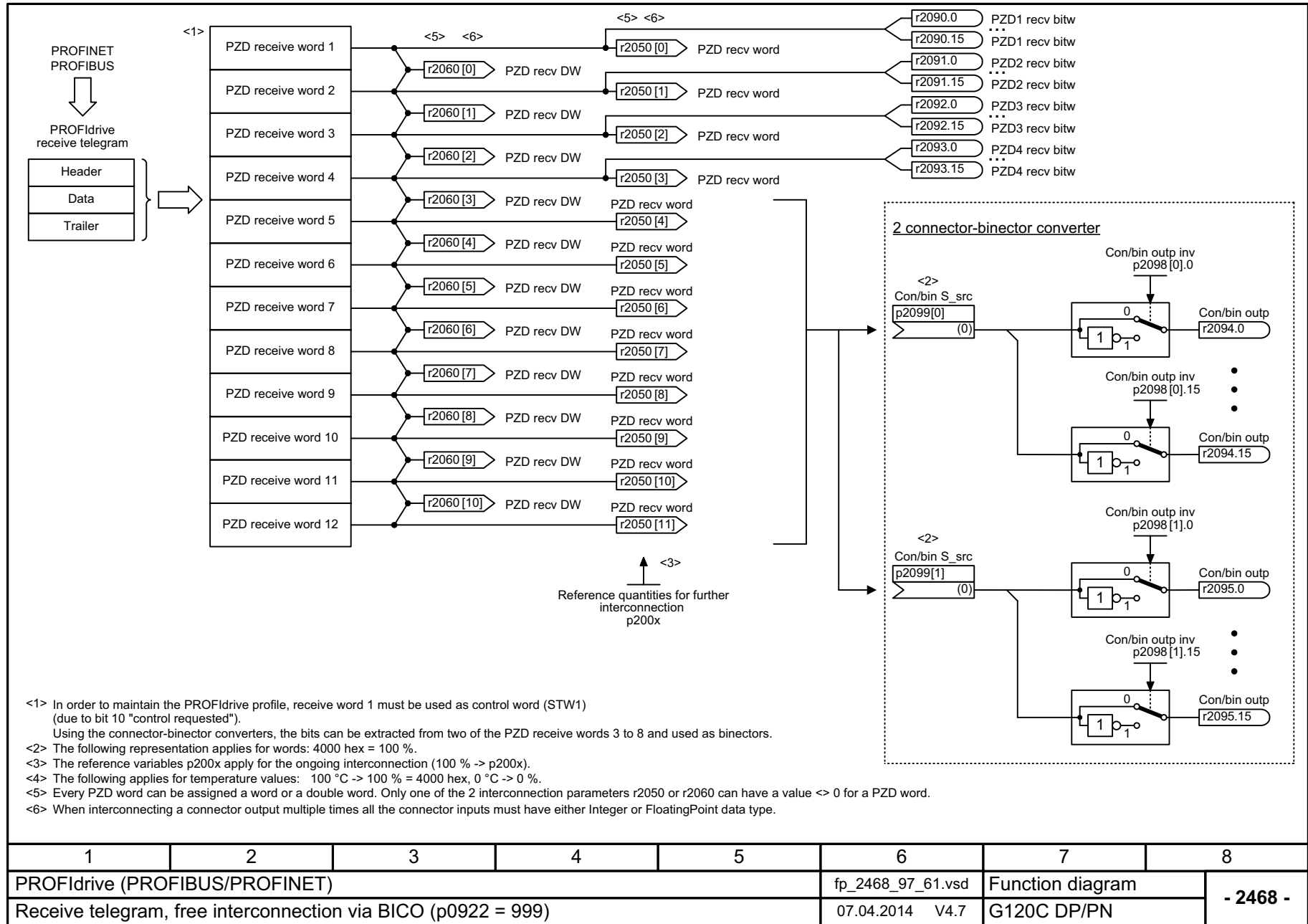
<2> The drive is ready to accept data.

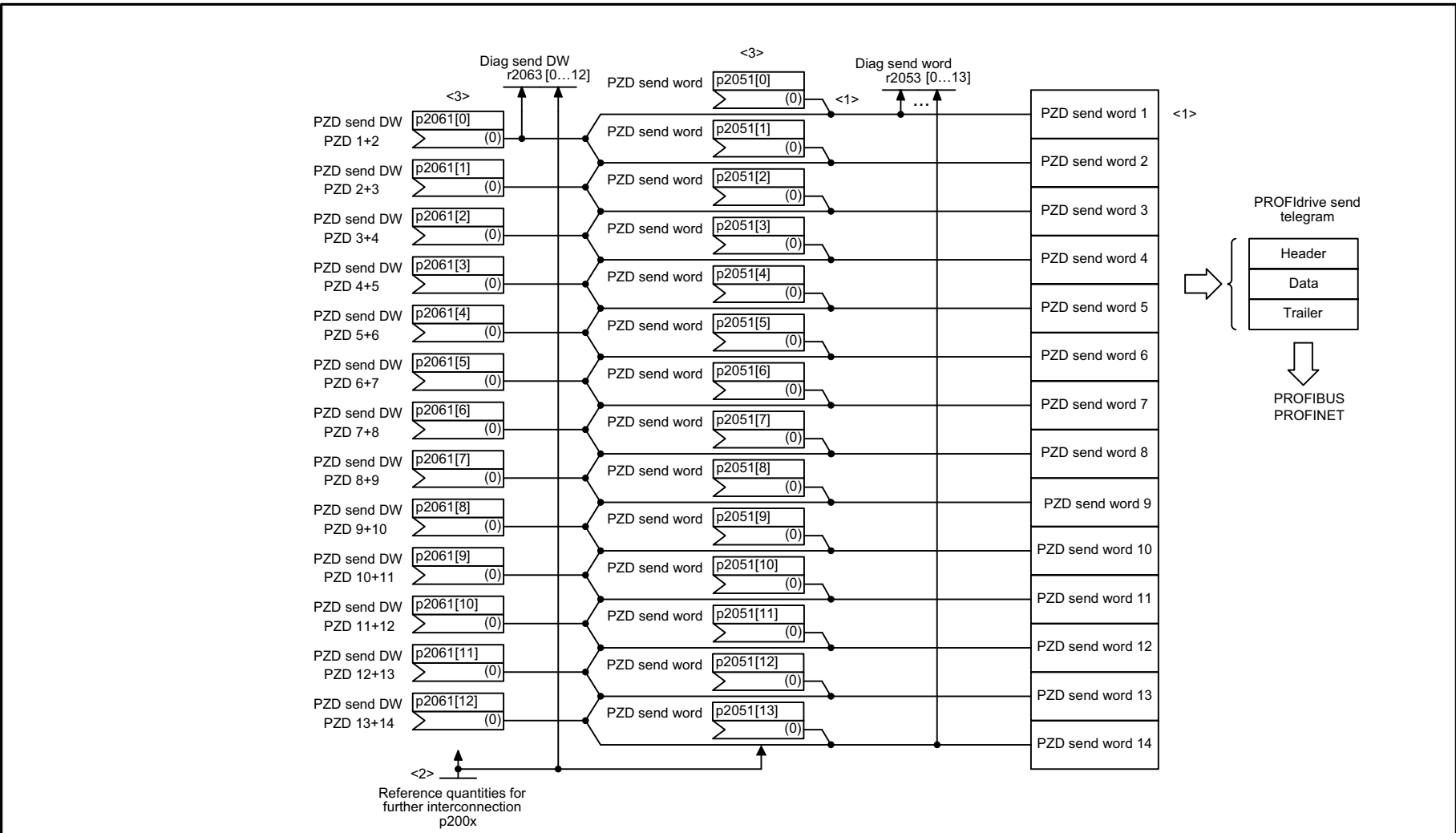
1	2	3	4	5	6	7	8
PROFIdrive (PROFIBUS/PROFINET)					fp_2452_97_61.vsd	Function diagram	
ZSW1 status word interconnection (p2038 = 0)					07.04.2014 V4.7	G120C DP/PN	
							- 2452 -

Signal sources for ZSW3 im Interface Mode SINAMICS						<1>	
Signal	Meaning	Interconnection parameters	[Function diagram] internal status word	[Function diagram] signal source	Inverted		
ZSW3.0	1 = DC braking active	p2051[3] = r0053	[2511.7]	[7017.5]	-		
ZSW3.1	1 = n_act > p1226 (n_standstill)		[2511.7]	[2534.7]	-		
ZSW3.2	1 = n_act > p1080 (n_min)		[2511.7]	[2534.7]	-		
ZSW3.3	1 = l_act >= p2170		[2511.7]	[2534.7]	-		
ZSW3.4	1 = n_act > p2155		[2511.7]	[2534.7]	-		
ZSW3.5	1 = n_act <= p2155		[2511.7]	[2534.7]	-		
ZSW3.6	1 = n_act >= r1119 (n_set)		[2511.7]	[2534.7]	-		
ZSW3.7	1 = Vdc <= p2172		[2511.7]	[2534.7]	-		
ZSW3.8	1 = Vdc > p2172		[2511.7]	[2534.7]	-		
ZSW3.9	1 = Ramping finished		[2511.7]	[3080.7]	-		
ZSW3.10	1 = Technology controller output at the lower limit		[2511.7]	[7958.7]	-		
ZSW3.11	1 = Technology controller output at the upper limit		[2511.7]	[7958.7]	-		
ZSW3.12	Reserved		-	-	-		
ZSW3.13	Reserved		-	-	-		
ZSW3.14	Reserved		-	-	-		
ZSW3.15	Reserved	-	-	-			
<1> Used in telegrams 350.							
1	2	3	4	5	6	7	8
PROFIdrive (PROFIBUS/PROFINET)					fp_2456_97_61.vsd	Function diagram	
ZSW3 status word interconnection					07.04.2014 V4.7	G120C DP/PN	
							- 2456 -

Fig. 3-25 2456 – ZSW3 status word interconnection

Fig. 3-26 2468 – Receive telegram, free interconnection via BICO (p0922 = 999)





<1> To comply with the PROFdrive profile, send word 1 must be used as status word 1 (ZSW1).
 <2> Physical word values are inserted in the telegram as referenced variables. p200x apply as reference variables (telegram contents = 4000 hex, if the input variable has the value p200x).
 The following applies for temperature values: 100 °C -> 100 % = 4000
 <3> A PZD send word can either be supplied via connector input p2051[x] (WORD) or via p2061[x] (DWORD).
 The two corresponding connector inputs cannot be interconnected.

1	2	3	4	5	6	7	8
PROFdrive (PROFIBUS/PROFINET)					fp_2470_97_61.vsd	Function diagram	
Send telegram, free interconnection via BICO (p0922 = 999)					07.04.2014 V4.7	G120C DP/PN	

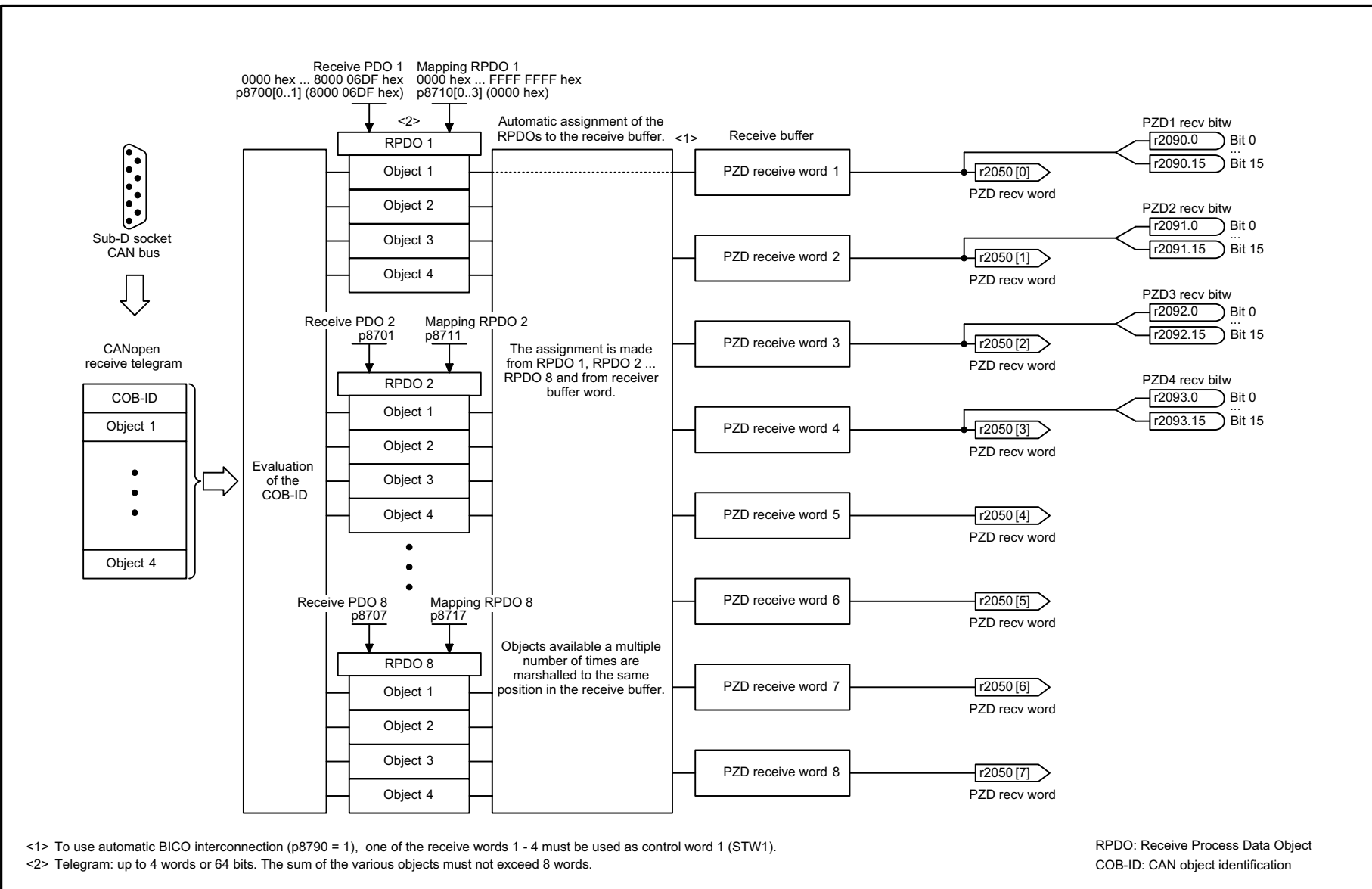
- 2470 -

Fig. 3-27 2470 – Send telegram, free interconnection via BICO (p0922 = 999)

3.6 CANopen communication

Function diagrams

9204 – Receive telegram, free PDO mapping (p8744 = 2)	354
9206 – Receive telegram, Predefined Connection Set (p8744 = 1)	355
9208 – Send telegram, free PDO mapping (p8744 = 2)	356
9210 – Send telegram, Predefined Connection Set (p8744 = 1)	357
9220 – Control word, CANopen	358
9226 – Status word, CANopen	359



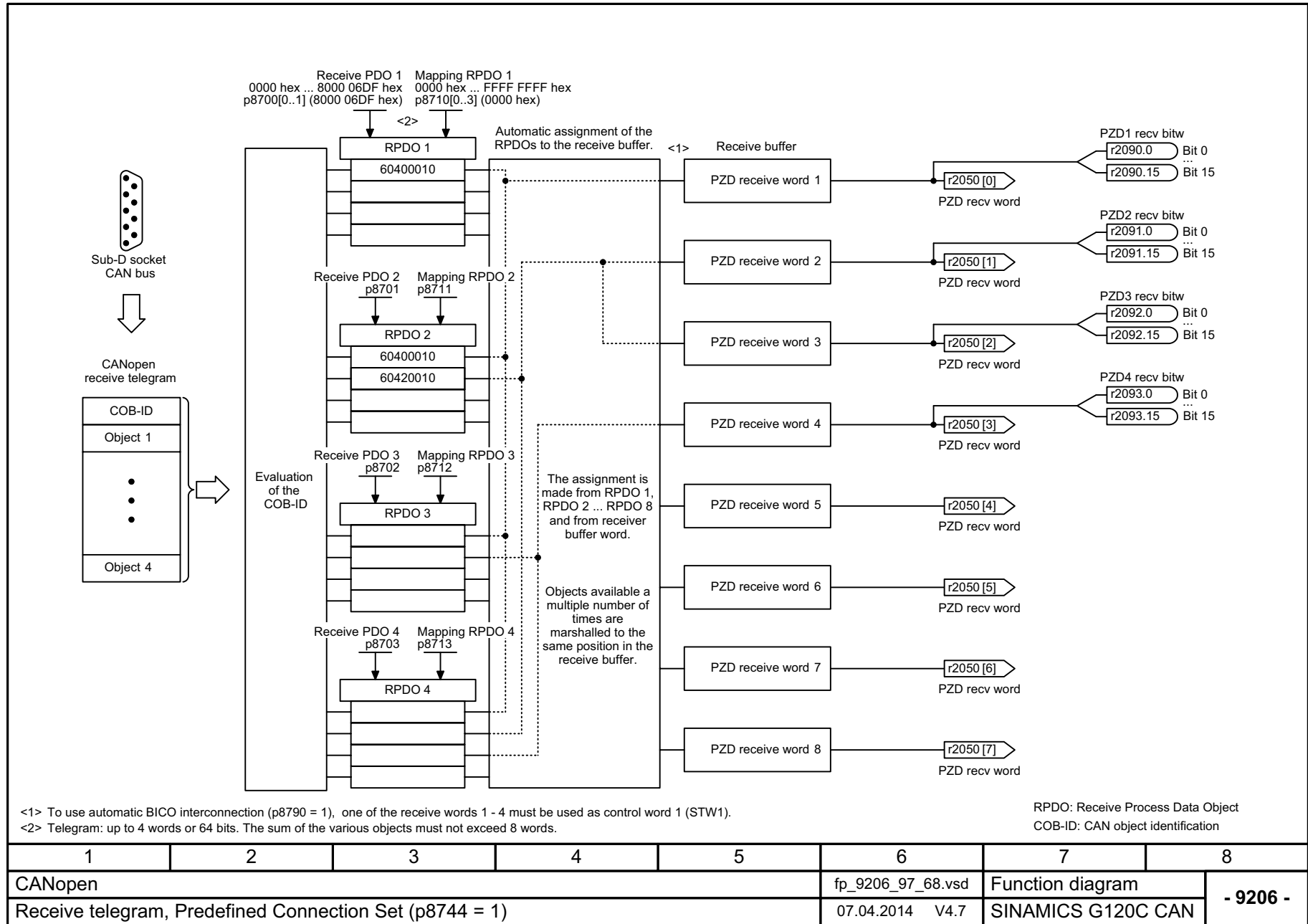
<1> To use automatic BICO interconnection (p8790 = 1), one of the receive words 1 - 4 must be used as control word 1 (STW1).
<2> Telegram: up to 4 words or 64 bits. The sum of the various objects must not exceed 8 words.

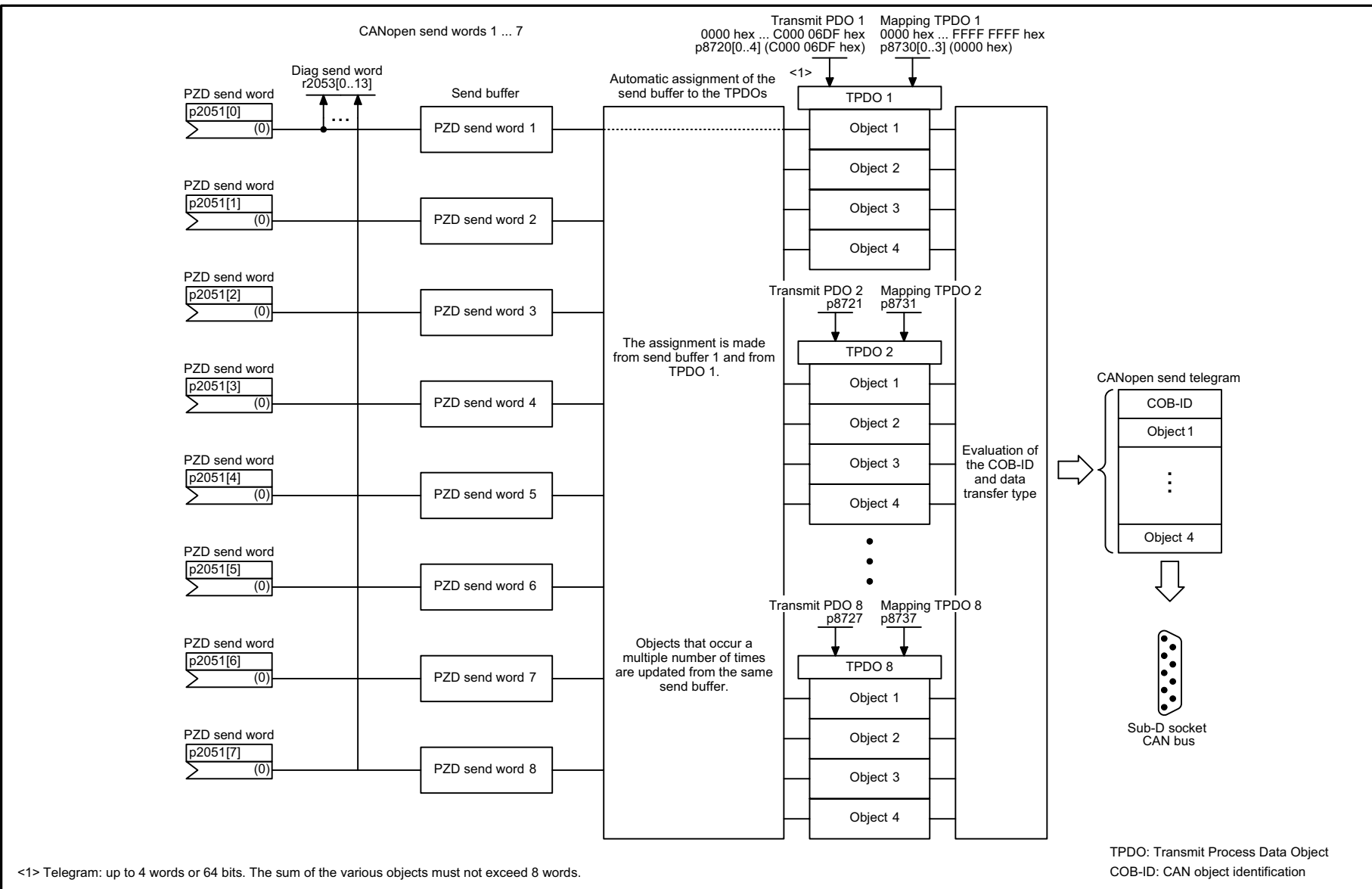
RPDO: Receive Process Data Object
COB-ID: CAN object identification

1	2	3	4	5	6	7	8
CANopen					fp_9204_97_68.vsd	Function diagram	
Receive telegram, free PDO mapping (p8744 = 2)					07.04.2014 V4.7	SINAMICS G120C CAN	

Fig. 3-28 9204 – Receive telegram, free PDO mapping (p8744 = 2)

Fig. 3-29 9206 – Receive telegram, Predefined Connection Set (p8744 = 1)





<1> Telegram: up to 4 words or 64 bits. The sum of the various objects must not exceed 8 words.

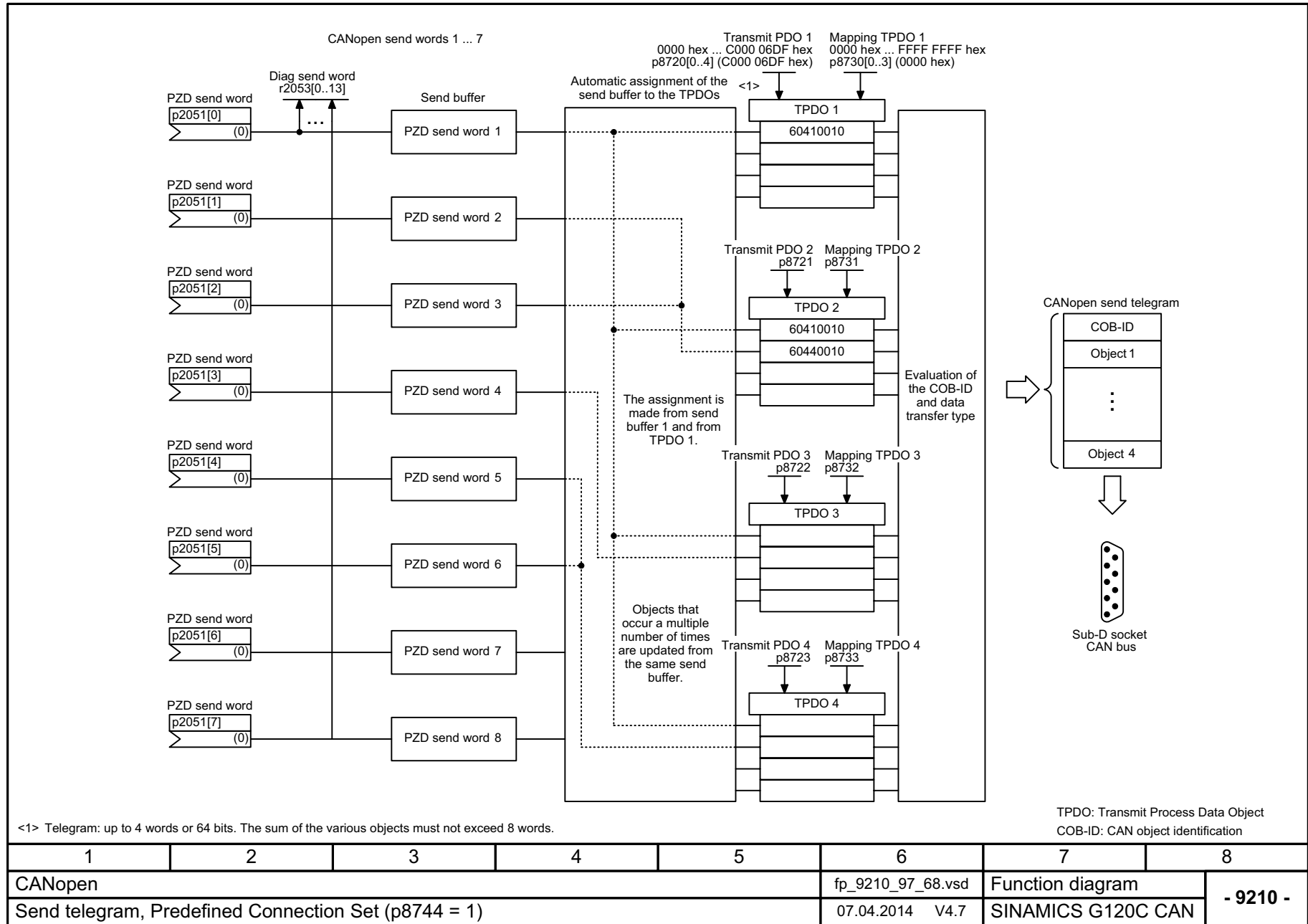
TPDO: Transmit Process Data Object
COB-ID: CAN object identification

1	2	3	4	5	6	7	8
CANopen					fp_9208_97_68.vsd	Function diagram	
Send telegram, free PDO mapping (p8744 = 2)					07.04.2014 V4.7	SINAMICS G120C CAN	

- 9208 -

Fig. 3-30 9208 – Send telegram, free PDO mapping (p8744 = 2)

Fig. 3-31 9210 – Send telegram, Predefined Connection Set (p8744 = 1)



1	2	3	4	5	6	7	8
CANopen					fp_9210_97_68.vsd	Function diagram	
Send telegram, Predefined Connection Set (p8744 = 1)					07.04.2014 V4.7	SINAMICS G120C CAN	
							- 9210 -

Signalziele für Steuerwort CANopen (r8795)				
Signal	Bedeutung	Verschaltungsparameter <1>	[Funktionsplan] Internes Steuerwort	[Funktionsplan] Signalziel
STW.0	1 = EIN (Impulsfreigabe möglich) 0 = AUS1 (Abbremsen mit Hochlaufgeber, dann Impulslöschung und Einschaltbereit)	p0840[0] = r2090.0	[2501.3]	Steuerwerk
STW.1	1 = Kein Austrudeln aktivieren (Freigabe möglich) 0 = Austrudeln aktivieren (Sofortige Impulslöschung und Einschaltsperr)	p0844[0] = r2090.1	[2501.3]	Steuerwerk
STW.2	1 = Kein Schnellhalt aktivieren (Freigabe möglich) 0 = Schnellhalt aktivieren (AUS3-Rampe p1135, dann Impulslöschung, Einschaltsperr)	p0848[0] = r2090.2	[2501.3]	Steuerwerk
STW.3	1 = Betrieb freigeben (Impulsfreigabe möglich) 0 = Betrieb sperren (Impulse löschen)	p0852[0] = r2090.3	[2501.3]	Steuerwerk
STW.4	1 = Hochlaufgeber freigeben 0 = Hochlaufgeber sperren	p1140[0] = r2090.4	[2501.3]	[3070]
STW.5	1 = Hochlaufgeber fortsetzen 0 = Hochlaufgeber einfrieren	p1141[0] = r2090.5	[2501.3]	[3070]
STW.6	1 = Drehzahlsollwert freigeben 0 = Drehzahlsollwert sperren (Hochlaufgebereingang auf Null setzen)	p1142[0] = r2090.6	[2501.3]	[3070]
STW.7	1 = Störung quittieren	p2103[0] = r2090.7	[2546.1]	[8060]
STW.8	1 = Halt	<2> <3>	-	[3070]
STW.9	Reserviert	-	-	-
STW.10	Reserviert	-	-	-
STW.11	Frei verschaltbar	pxxxx[y] = r2090.11	-	-
STW.12	Frei verschaltbar	pxxxx[y] = r2090.12	-	-
STW.13	Frei verschaltbar	pxxxx[y] = r2090.13	-	-
STW.14	Frei verschaltbar	pxxxx[y] = r2090.14	-	-
STW.15	Frei verschaltbar	pxxxx[y] = r2090.15	-	-

<1> Je nach Position des CANopen-Steuerwortes in p8750 ändert sich die Nummer des zu verbindenden Binektors.
 <2> Nicht bei der automatischen Steuerwortverschaltung (p8790) berücksichtigt.
 <3> Verschaltung über p8791.

1	2	3	4	5	6	7	8
CANopen					fp_9220_97_68.vsd	Funktionsplan	
Steuerwort CANopen					07.04.2014 V4.7	SINAMICS G120C CAN	

Fig. 3-32 9220 – Control word, CANopen

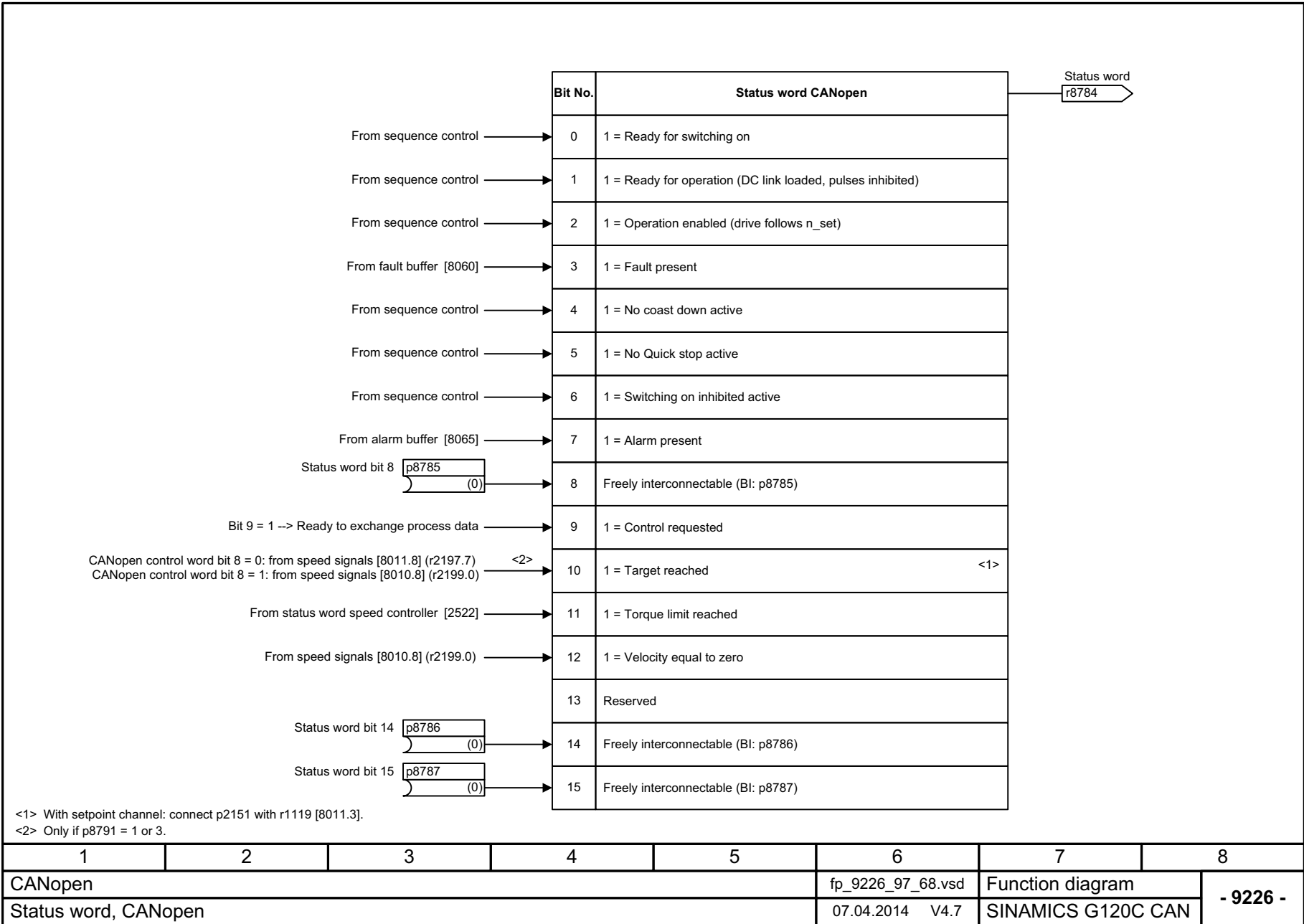
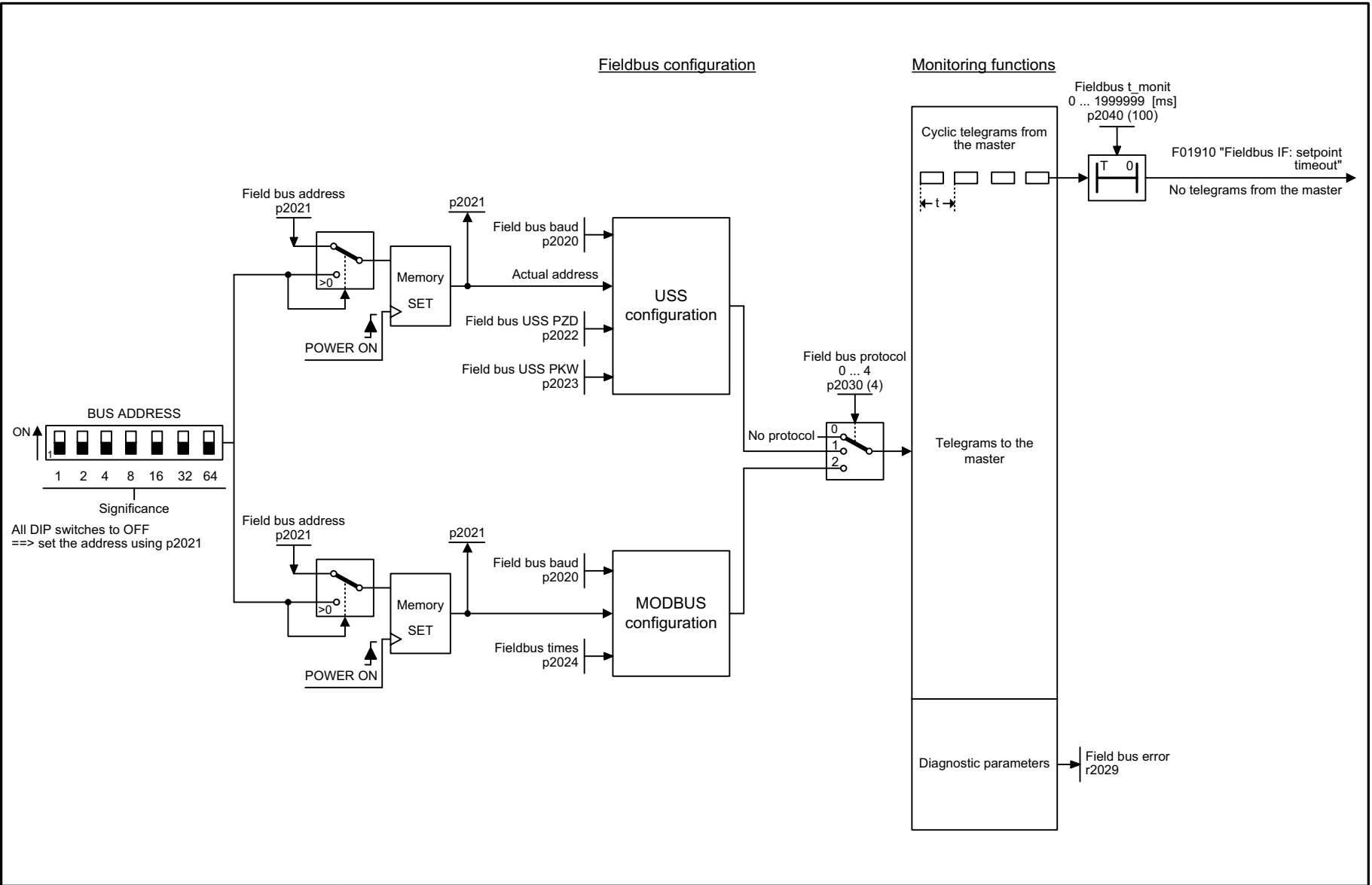


Fig. 3-33 9226 – Status word, CANopen

3.7 Communication, fieldbus interface (USS, MODBUS)

Function diagrams

9310 – Configuration, addresses and diagnostics	361
9342 – STW1 control word interconnection	362
9352 – ZSW1 status word interconnection	363
9360 – Receive telegram, free interconnection via BICO (p0922 = 999)	364
9370 – Send telegram, free interconnection via BICO (p0922 = 999)	365



1	2	3	4	5	6	7	8
Fieldbus Interface (USS, MODBUS)					fp_9310_97_66.vsd	Function diagram	
Configuration, addresses and diagnostics					07.04.2014 V4.7	G120C USS/MODBUS	
- 9310 -							

Fig. 3-34 9310 – Configuration, addresses and diagnostics

Signal targets for fieldbus STW1							
Signal	Meaning	Interconnection parameters	[Function diagram] internal control word	[Function diagram] signal target	Inverted		
STW1.0	▲ = ON (pulses can be enabled) 0 = OFF1 (braking with ramp-function generator, then pulse suppression & ready for switching on)	p0840[0] = r2090.0	[2501.3]	Sequence control	-		
STW1.1	1 = No OFF2 (enable is possible) 0 = OFF2 (immediate pulse suppression and switching on inhibited)	p0844[0] = r2090.1	[2501.3]	Sequence control	-		
STW1.2	1 = No OFF3 (enable is possible) 0 = OFF3 (braking with the OFF3 ramp p1135, then pulse suppression and switching on inhibited)	p0848[0] = r2090.2	[2501.3]	Sequence control	-		
STW1.3	1 = Enable operation (pulses can be enabled) 0 = Inhibit operation (suppress pulses)	p0852[0] = r2090.3	[2501.3]	Sequence control	-		
STW1.4	1 = Ramp-function generator enable 0 = Inhibit ramp-function generator (set the ramp-function generator output to zero)	p1140[0] = r2090.4	[2501.3]	[3070]	-		
STW1.5	1 = Continue ramp-function generator 0 = Freezes the ramp-function generator	p1141[0] = r2090.5	[2501.3]	[3070]	-		
STW1.6	1 = Setpoint enable 0 = Inhibits the setpoint (the ramp-function generator input is set to zero)	p1142[0] = r2090.6	[2501.3]	[3070]	-		
STW1.7	▲ = Acknowledge faults	p2103[0] = r2090.7	[2546.1]	[8060]	-		
STW1.8	Reserved	-	-	-	-		
STW1.9	Reserved	-	-	-	-		
STW1.10	1 = Control via PLC <1>	p0854[0] = r2090.10	[2501.3]	[2501]	-		
STW1.11	1 = Dir of rot reversal <2>	p1113[0] = r2090.11	[2505.3]	[3040]	-		
STW1.12	Reserved	-	-	-	-		
STW1.13	1 = Motorized potentiometer, setpoint, raise	p1035[0] = r2090.13	[2505.3]	[3020]	-		
STW1.14	1 = Motorized potentiometer, setpoint, lower	p1036[0] = r2090.14	[2505.3]	[3020]	-		
STW1.15	Reserved	-	-	-	-		
<1> Bit 10 in STW1 must be set to ensure that the drive accepts the process data. <2> The direction reversal can be locked. See p1110 and p1111.							
1	2	3	4	5	6	7	8
Fieldbus Interface (USS, MODBUS)				fp_9342_97_62.vsd		Function diagram	
STW1 control word interconnection				07.04.2014 V4.7		G120C USS/MODBUS	
							- 9342 -

Fig. 3-35 9342 – STW1 control word interconnection

Signal sources for fieldbus ZSW1							
Signal	Meaning	Interconnection parameters	[Function diagram] internal control word	[Function diagram] signal target	Inverted <1>		
ZSW1.0	1 = Ready for switching on	p2080[0] = r0899.0	[2503.7]	Sequence control	-		
ZSW1.1	1 = Ready for operation (DC link loaded, pulses inhibited)	p2080[1] = r0899.1	[2503.7]	Sequence control	-		
ZSW1.2	1 = Operation enabled (drive follows n_set)	p2080[2] = r0899.2	[2503.7]	Sequence control	-		
ZSW1.3	1 = Fault present	p2080[3] = r2139.3	[2548.7]	[8060]	-		
ZSW1.4	1 = No coast down active (OFF2 inactive)	p2080[4] = r0899.4	[2503.7]	Sequence control	-		
ZSW1.5	1 = No quick stop active (OFF3 inactive)	p2080[5] = r0899.5	[2503.7]	Sequence control	-		
ZSW1.6	1 = Switching on inhibited active	p2080[6] = r0899.6	[2503.7]	Sequence control	-		
ZSW1.7	1 = Alarm present	p2080[7] = r2139.7	[2548.7]	[8065]	-		
ZSW1.8	1 = Speed setpoint - actual value deviation within tolerance t_off	p2080[8] = r2197.7	[2534.7]	[8011]	-		
ZSW1.9	1 = Control requested <2>	p2080[9] = r0899.9	[2503.7]	[2503]	-		
ZSW1.10	1 = f or n comparison value reached/exceeded	p2080[10] = r2199.1	[2536.7]	[8010]	-		
ZSW1.11	1 = I, M, or P limit not reached	p2080[11] = r1407.7	[2522.7]	[6060]	✓		
ZSW1.12	1 = Open holding brake	p2080[12] = r0899.12	[2503.7]	[2701]	-		
ZSW1.13	1 = No motor overtemperature alarm	p2080[13] = r2135.14	[2548.7]	[8016]	✓		
ZSW1.14	1 = Motor rotates forwards (n_act ≥ 0)	p2080[14] = r2197.3	[2534.7]	[8011]	-		
ZSW1.15	1 = No alarm, thermal overload, power unit	p2080[15] = r2135.15	[2548.7]	[8014]	✓		

<1> The ZSW1 is generated using the binector-connector converter (BI: p2080[0...15], inversion: p2088[0].0...p2088[0].15).
 <2> The drive is ready to accept data.

1	2	3	4	5	6	7	8
Fieldbus Interface (USS, MODBUS)					fp_9352_97_62.vsd	Function diagram	
ZSW1 status word interconnection					07.04.2014 V4.7	G120C USS/MODBUS	

Fig. 3-36 9352 – ZSW1 status word interconnection

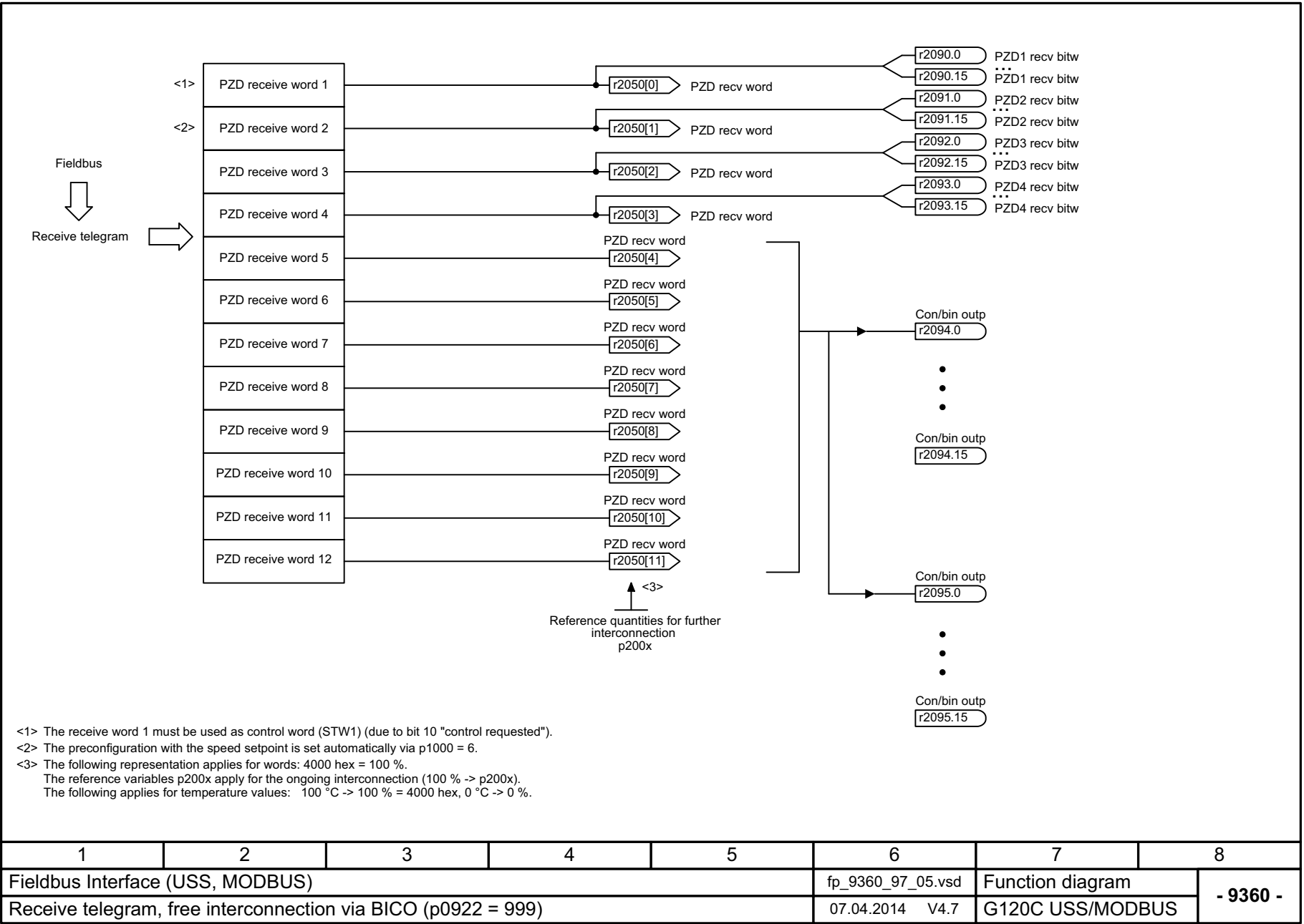
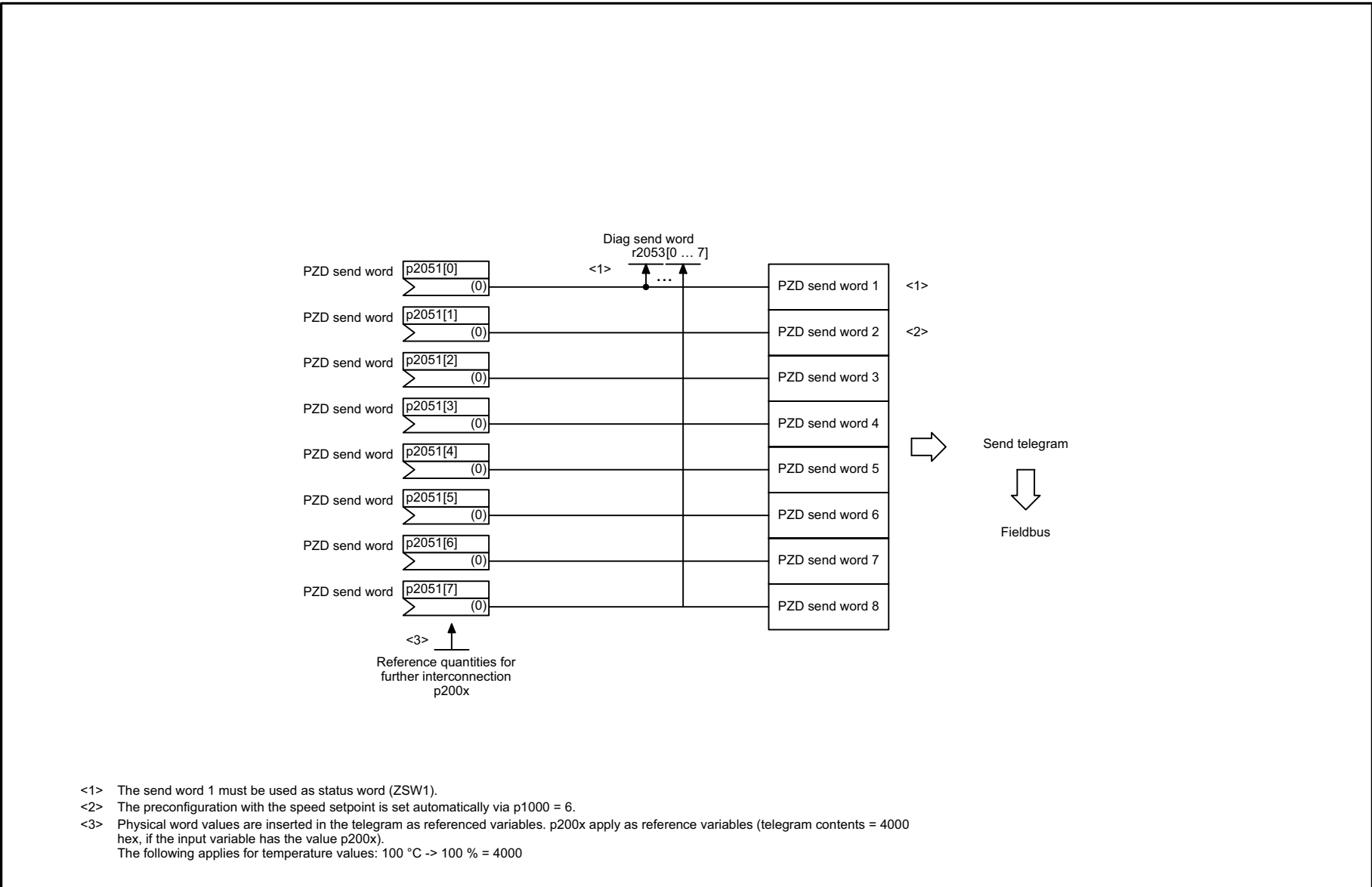


Fig. 3-37 9360 – Receive telegram, free interconnection via BICO (p0922 = 999)



- <1> The send word 1 must be used as status word (ZSW1).
- <2> The preconfiguration with the speed setpoint is set automatically via p1000 = 6.
- <3> Physical word values are inserted in the telegram as referenced variables. p200x apply as reference variables (telegram contents = 4000 hex, if the input variable has the value p200x).
The following applies for temperature values: 100 °C -> 100 % = 4000

1	2	3	4	5	6	7	8
Fieldbus Interface (USS, MODBUS)					fp_9370_97_62.vsd	Function diagram	
Send telegram, free interconnection via BICO (p0922 = 999)					07.04.2014 V4.7	G120C USS/MODBUS	

- 9370 -

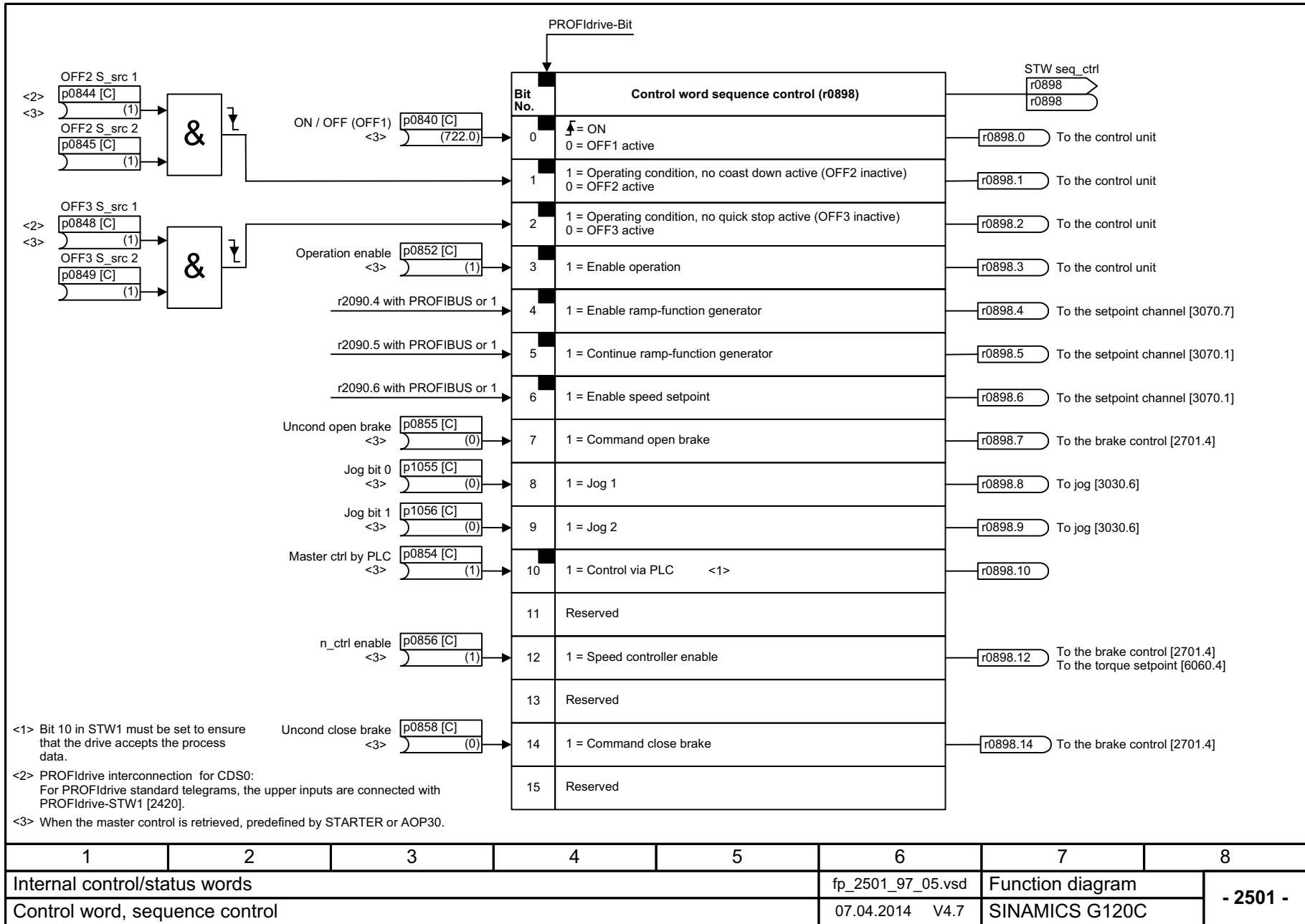
Fig. 3-38 9370 – Send telegram, free interconnection via BICO (p0922 = 999)

3.8 Internal control/status words

Function diagrams

2501 – Control word, sequence control	367
2503 – Status word, sequence control	368
2505 – Control word, setpoint channel	369
2510 – Status word 1 (r0052)	370
2511 – Status word 2 (r0053)	371
2512 – Control word 1 (r0054)	372
2513 – Control word 2 (r0055)	373
2522 – Status word, speed controller	374
2526 – Status word, closed-loop control	375
2530 – Status word, closed-loop current control	376
2534 – Status word, monitoring functions 1	377
2536 – Status word, monitoring functions 2	378
2537 – Status word, monitoring functions 3	379
2546 – Control word, faults/alarms	380
2548 – Status word, faults/alarms 1 and 2	381
2610 – Sequence control - Sequencer	382
2634 – Sequence control - Missing enable signals	383

Fig. 3-39 2501 – Control word, sequence control



1	2	3	4	5	6	7	8
Internal control/status words					fp_2501_97_05.vsd	Function diagram	
Control word, sequence control					07.04.2014 V4.7	SINAMICS G120C	
							- 2501 -

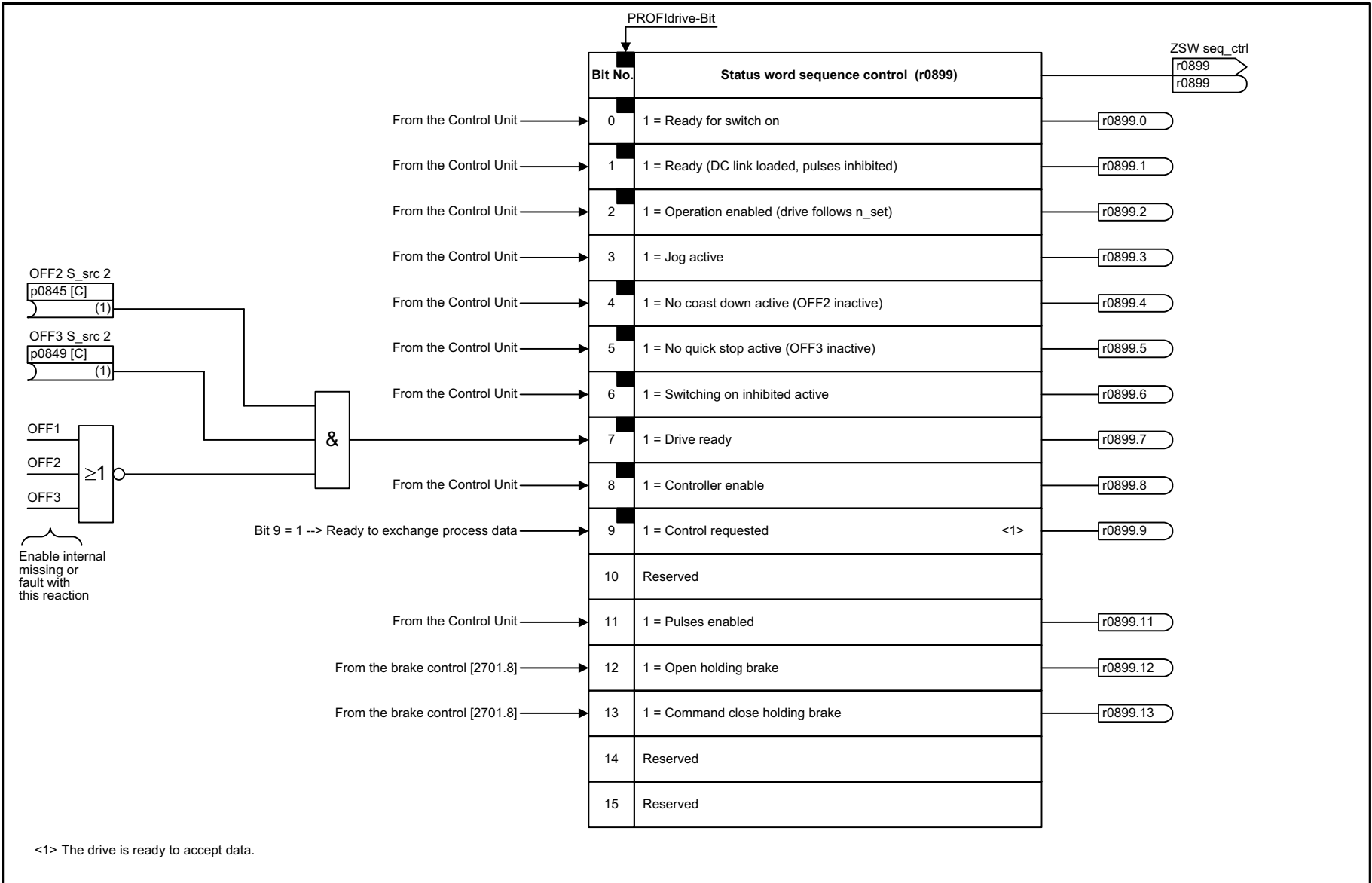
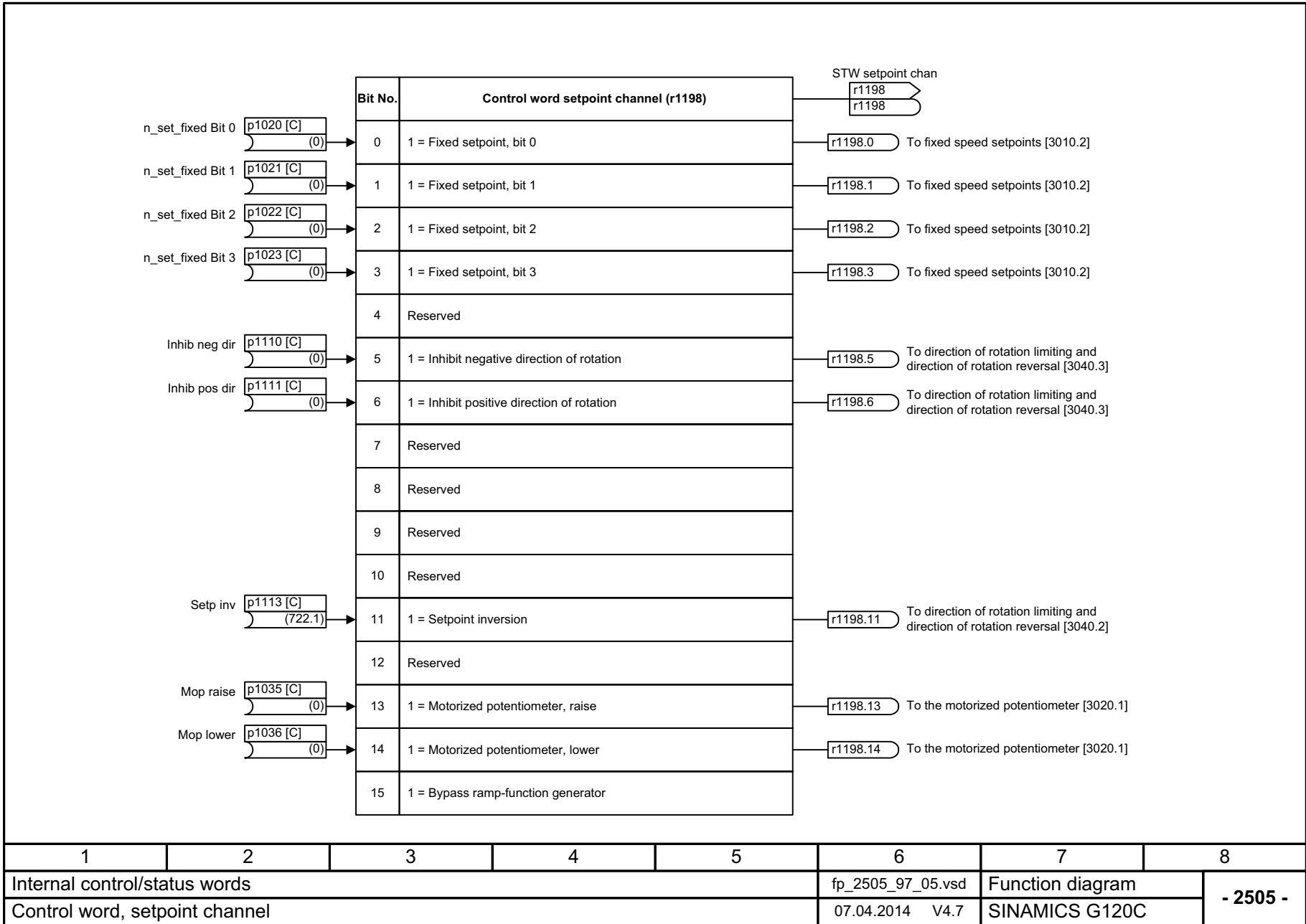


Fig. 3-40 2503 – Status word, sequence control

1	2	3	4	5	6	7	8
Internal control/status words					fp_2503_97_05.vsd	Function diagram	
Status word, sequence control					07.04.2014 V4.7	SINAMICS G120C	

Fig. 3-41 2505 – Control word, setpoint channel



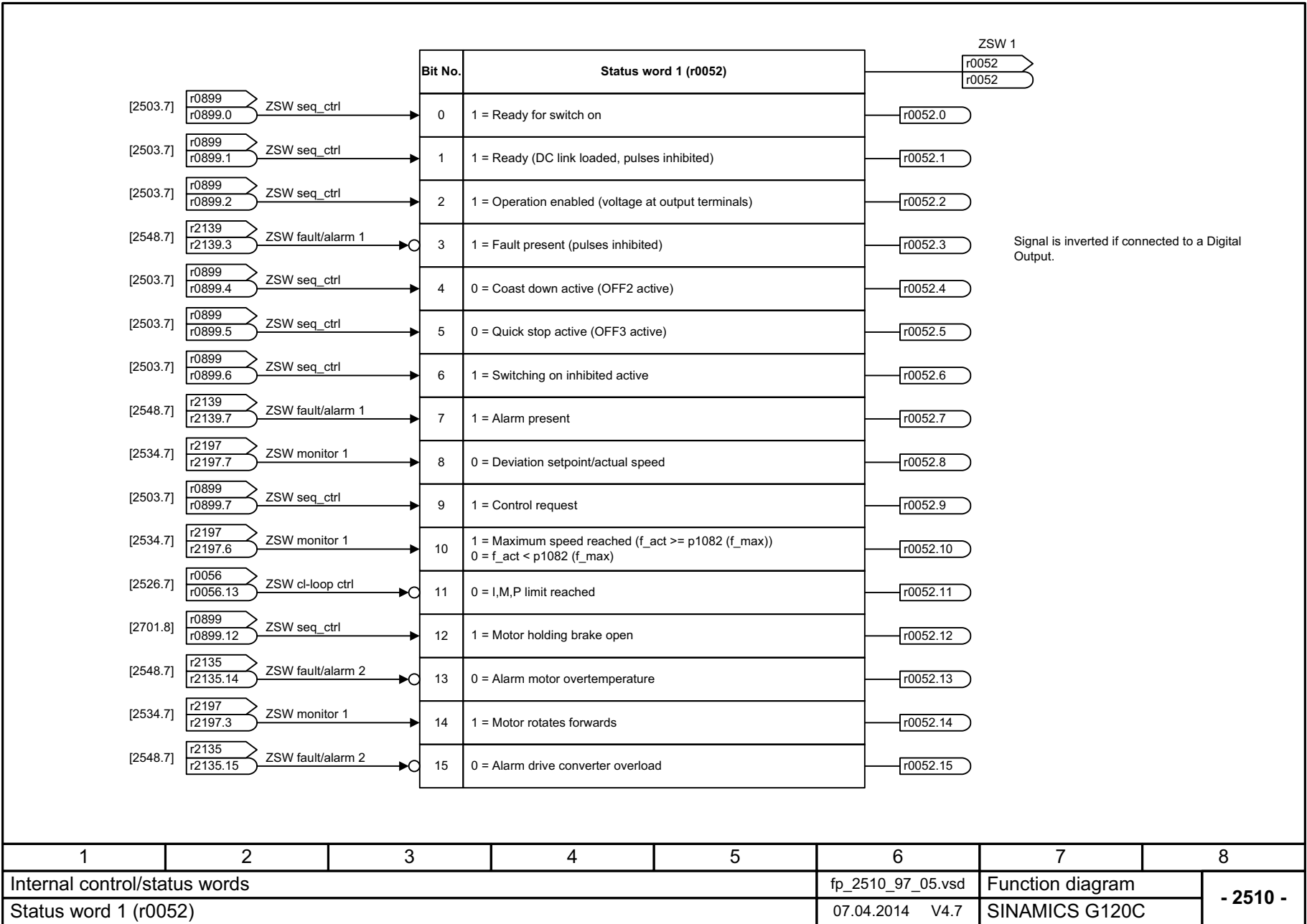


Fig. 3-42 2510 – Status word 1 (r0052)

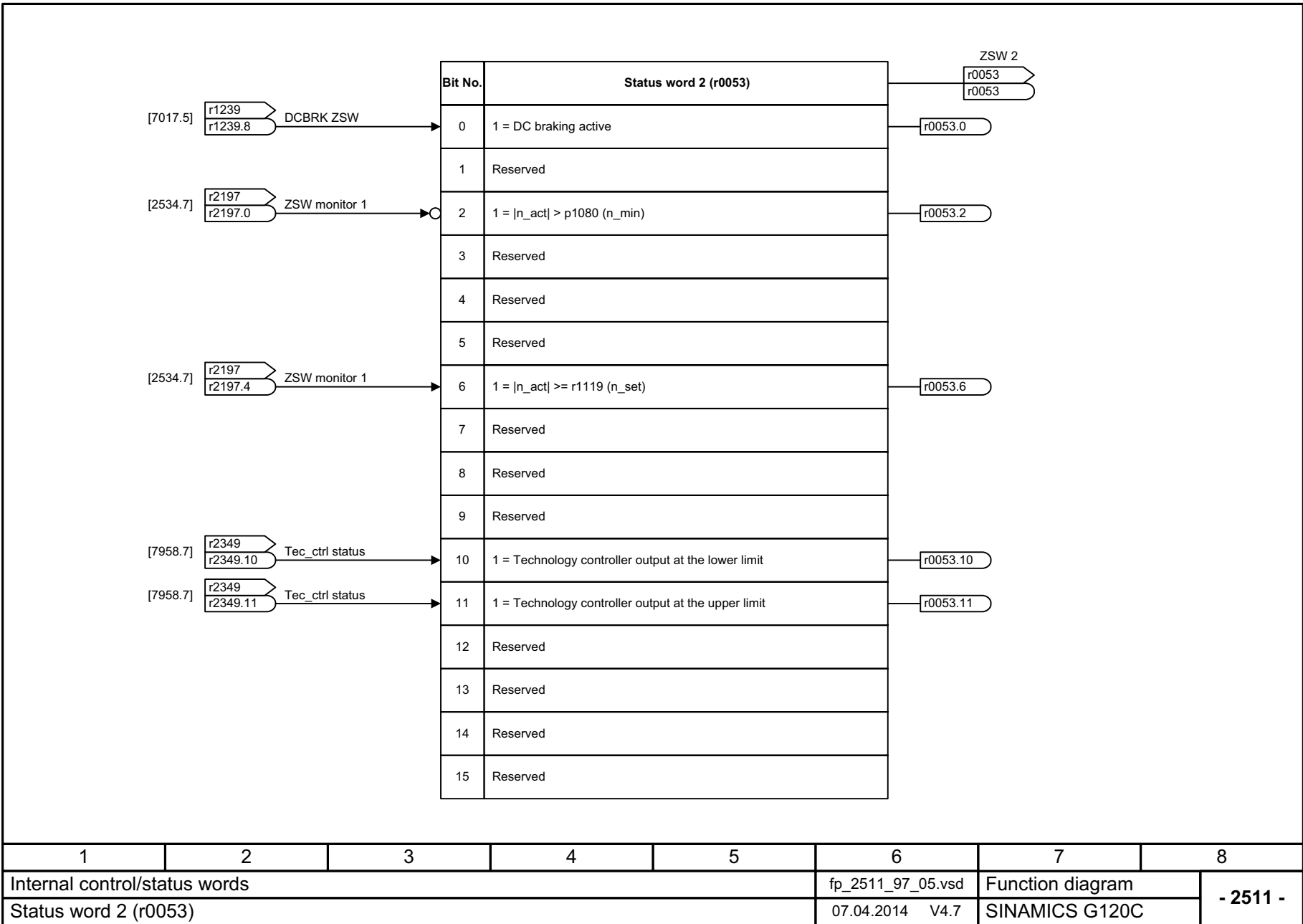


Fig. 3-43 2511 – Status word 2 (r0053)

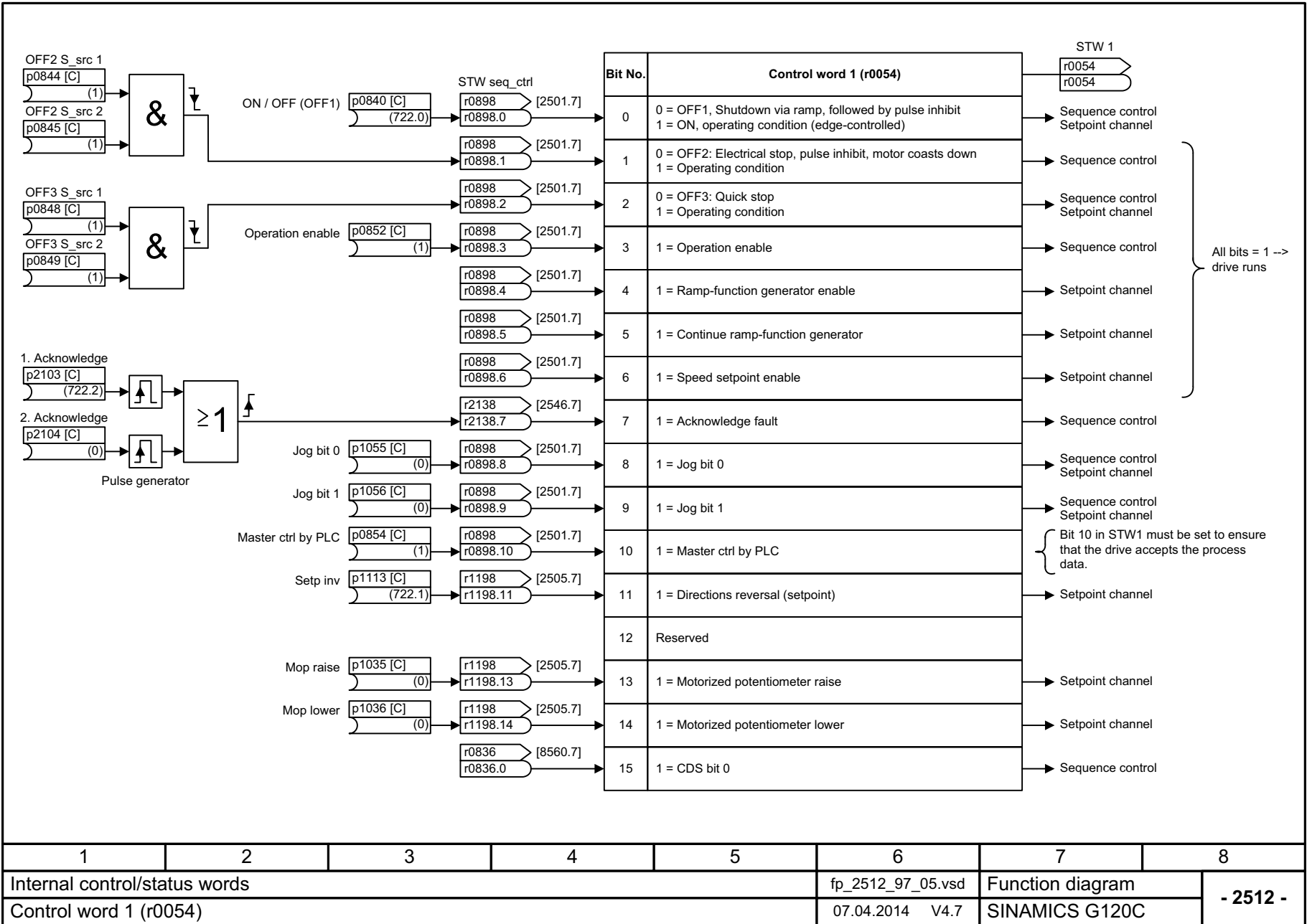


Fig. 3-44 2512 – Control word 1 (r0054)

1	2	3	4	5	6	7	8
Internal control/status words					fp_2512_97_05.vsd	Function diagram	
Control word 1 (r0054)					07.04.2014 V4.7	SINAMICS G120C	
- 2512 -							

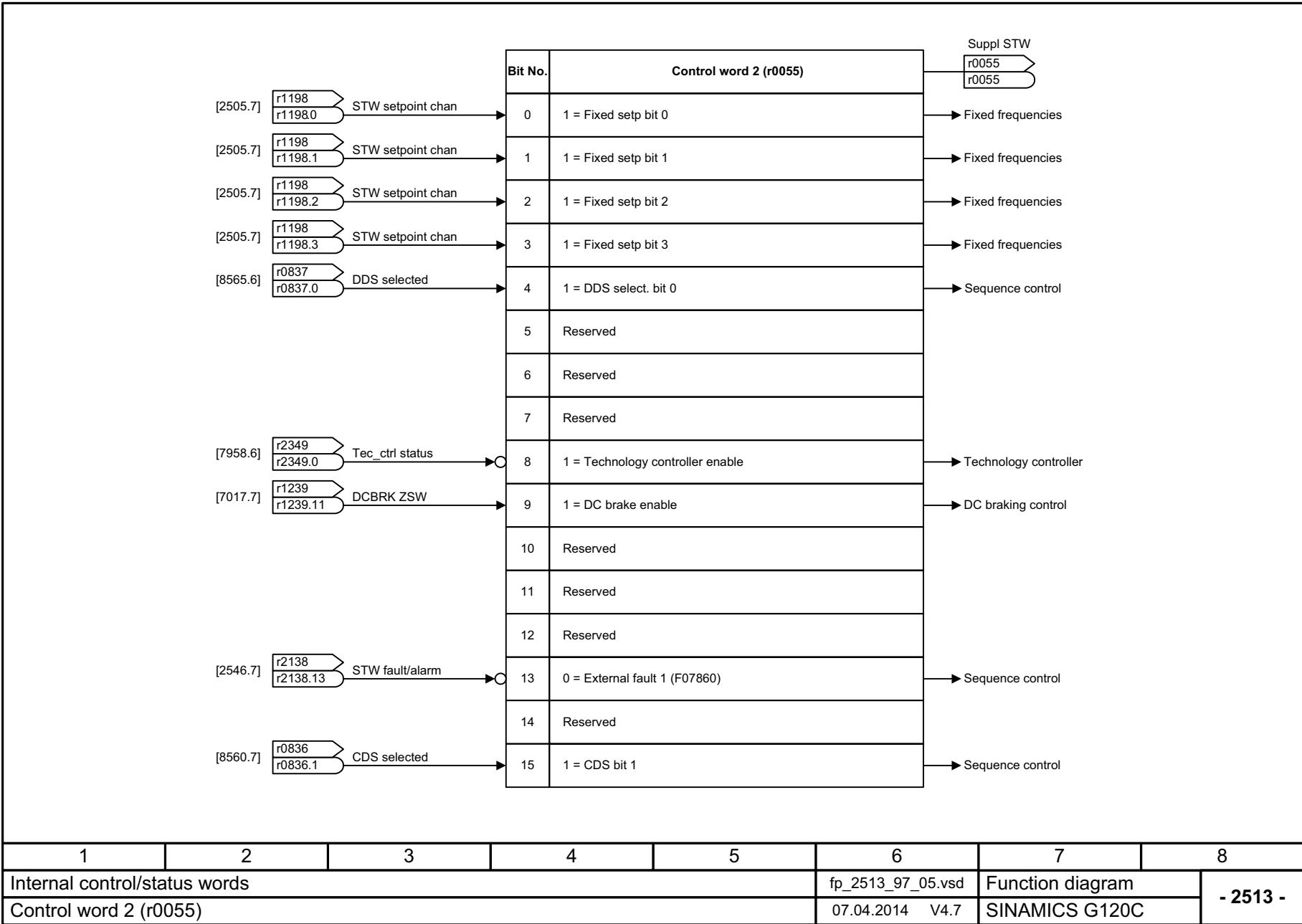


Fig. 3-45 2513 – Control word 2 (r0055)

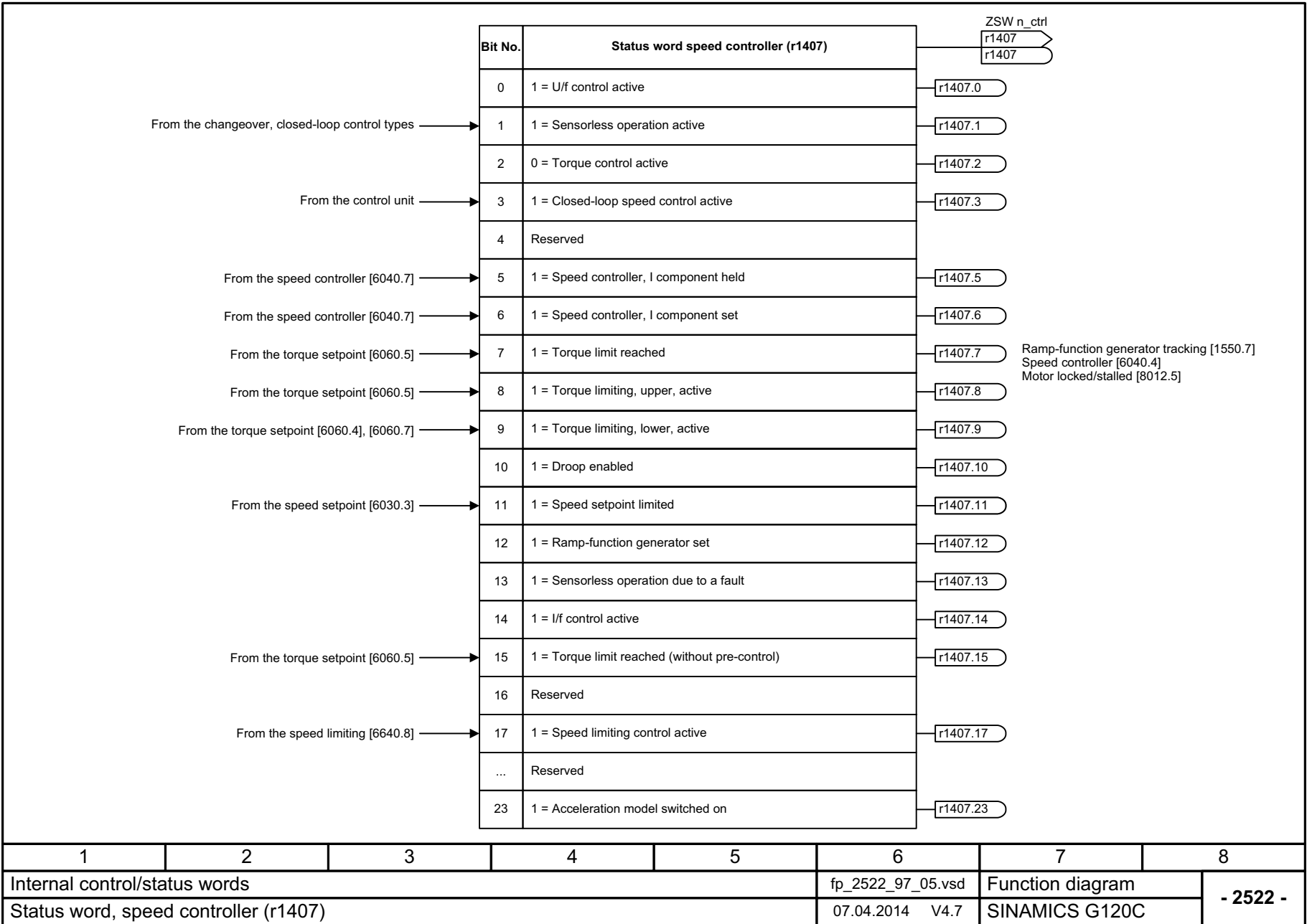


Fig. 3-46 2522 – Status word, speed controller

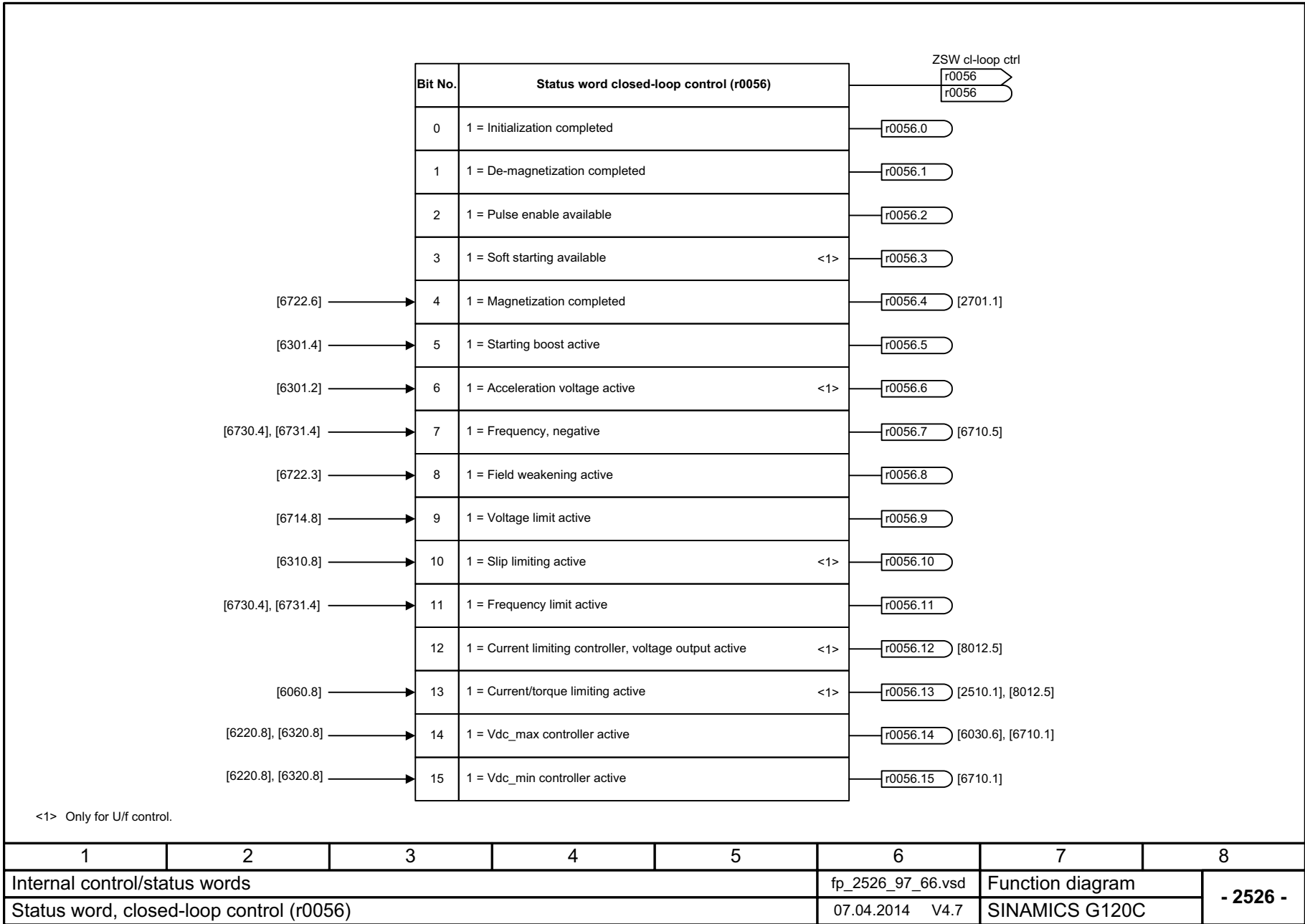


Fig. 3-47 2526 – Status word, closed-loop control

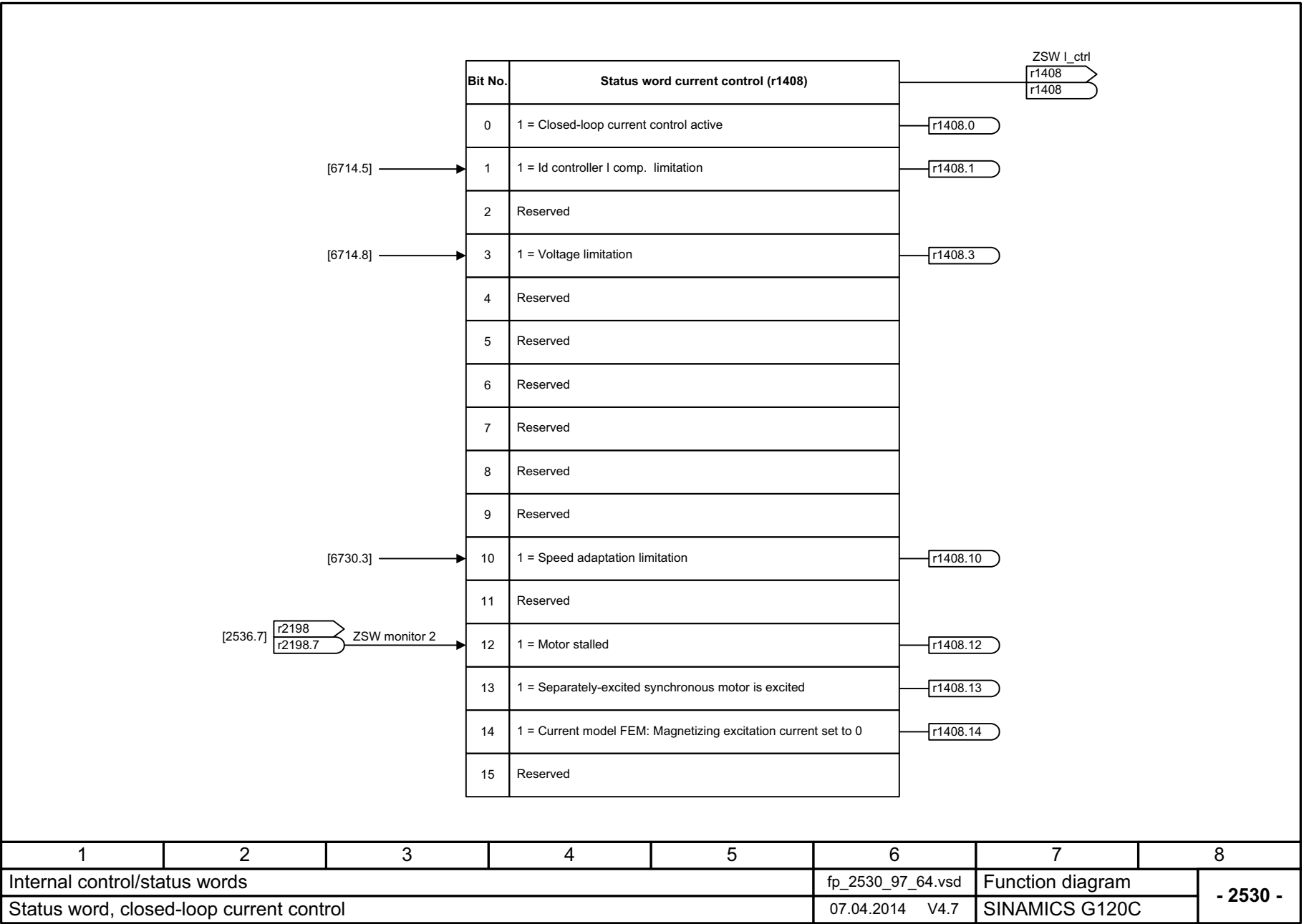


Fig. 3-48 2530 – Status word, closed-loop current control

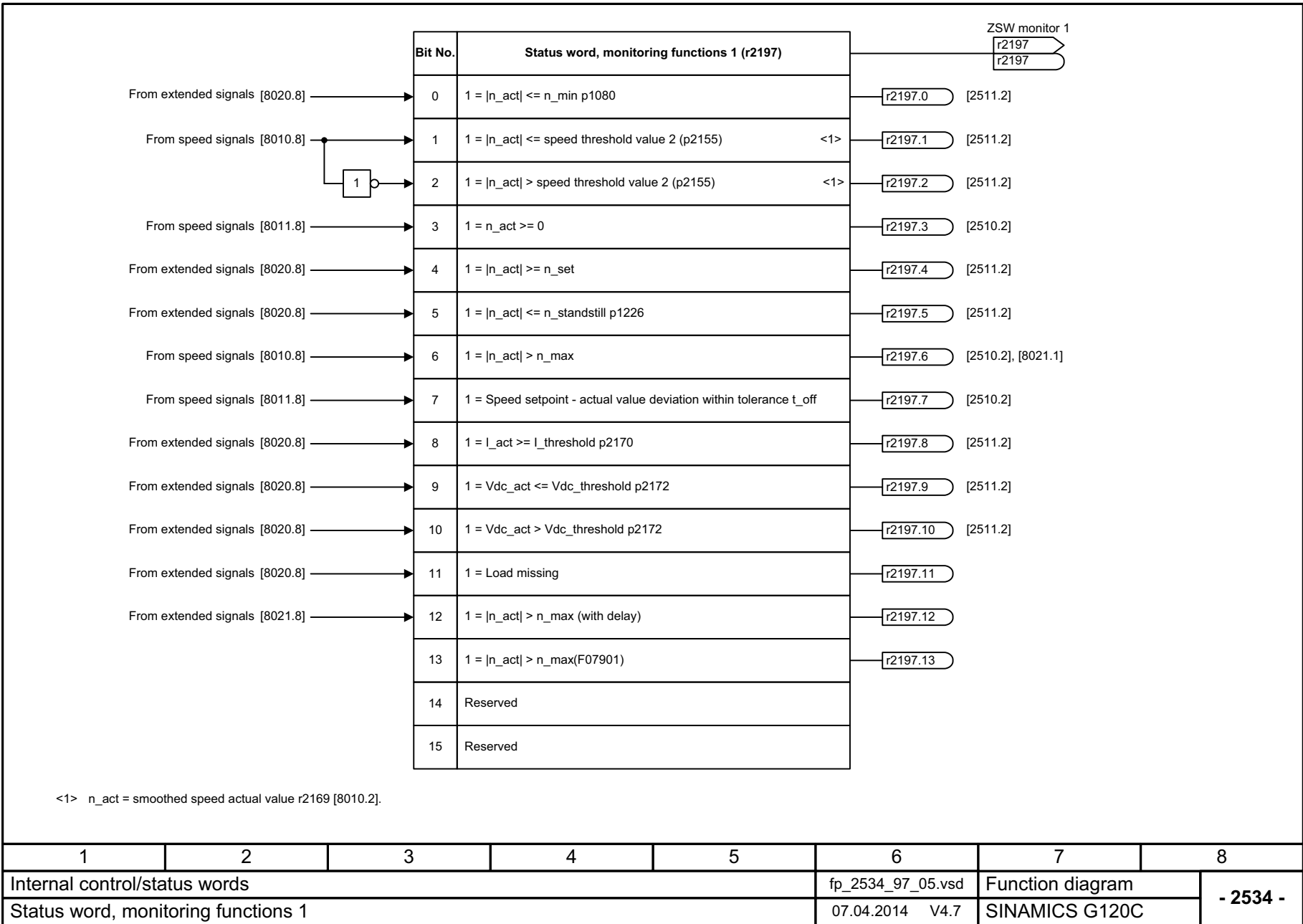


Fig. 3-49 2534 – Status word, monitoring functions 1

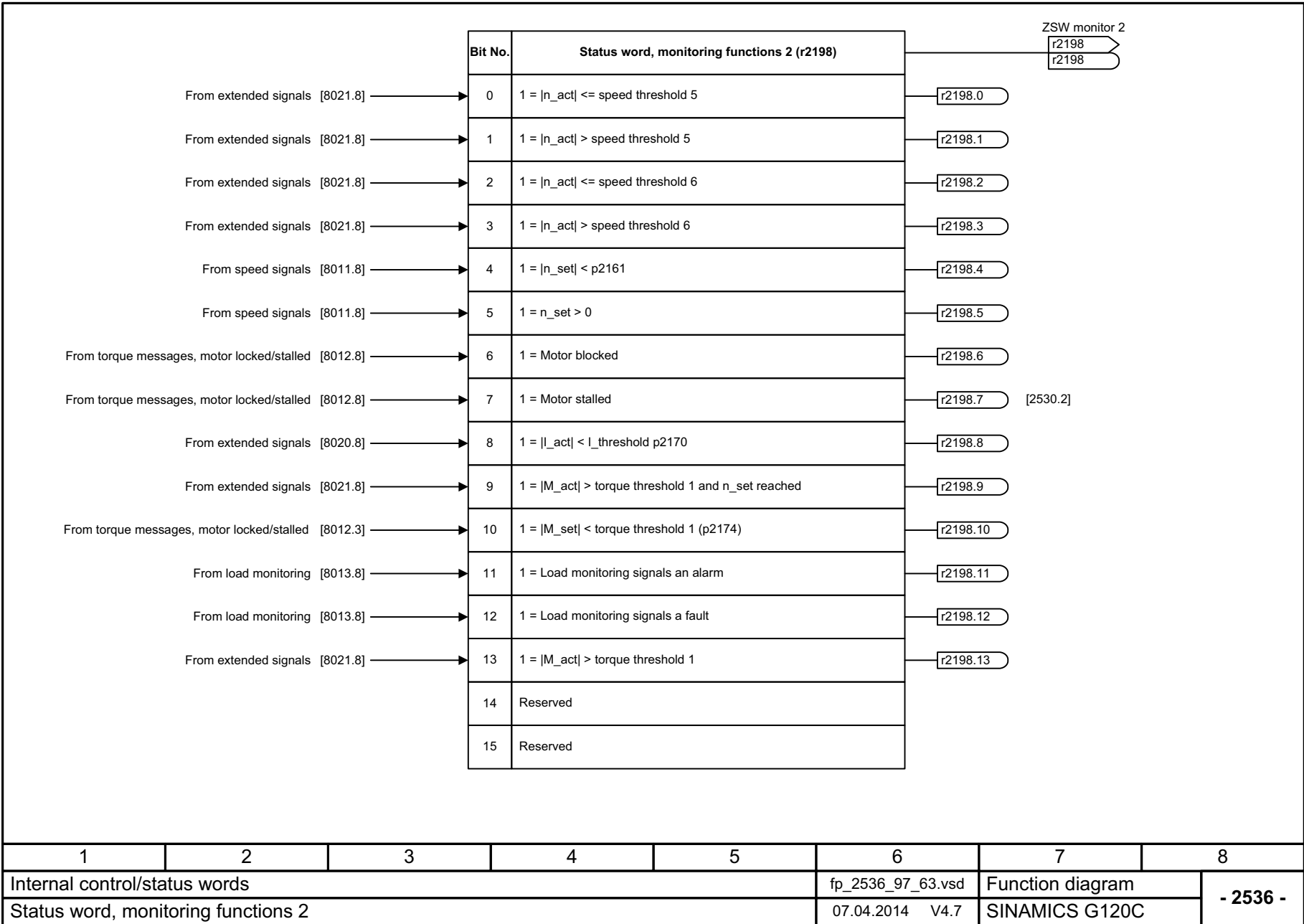
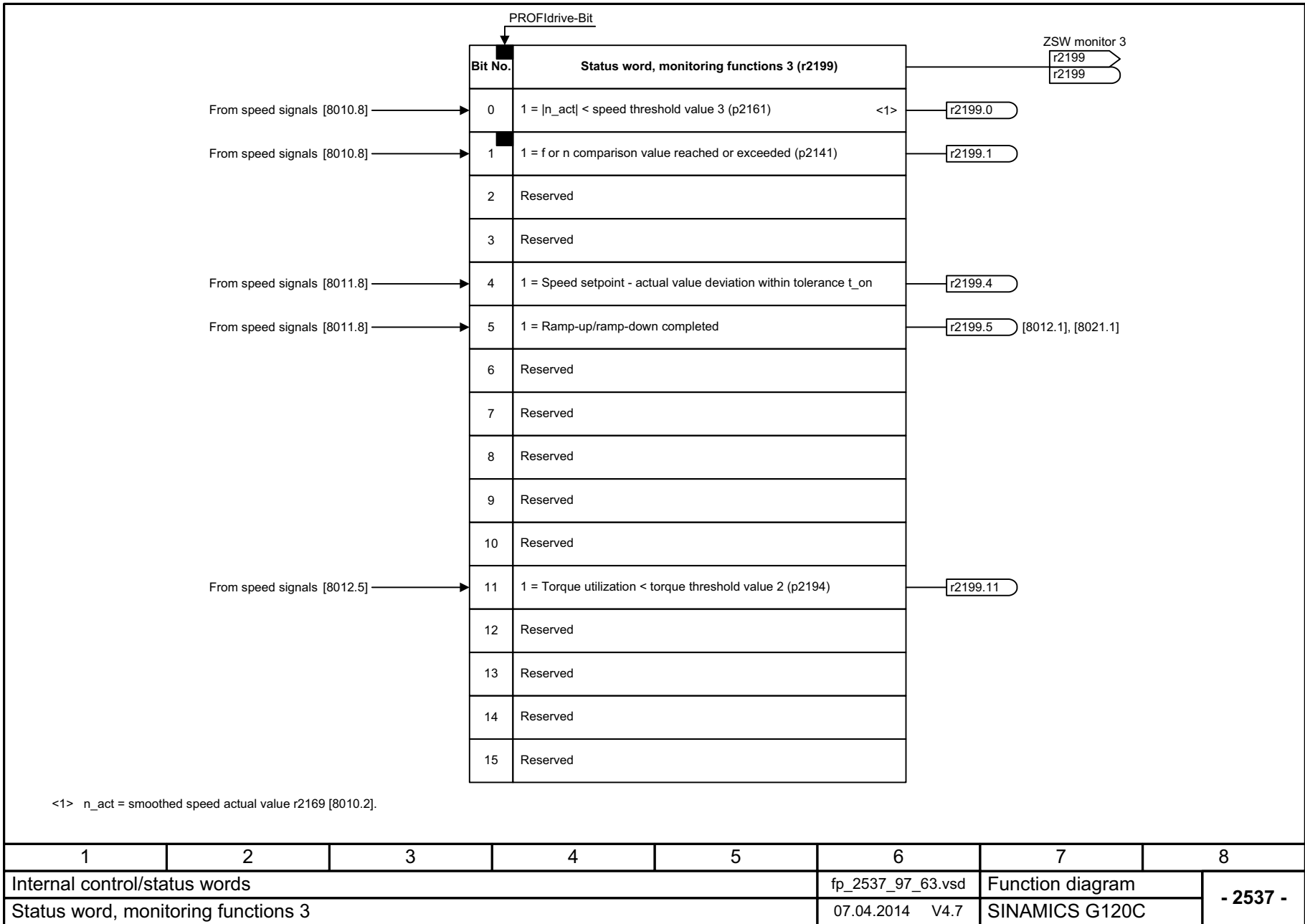


Fig. 3-50 2536 – Status word, monitoring functions 2

Fig. 3-51 2537 – Status word, monitoring functions 3



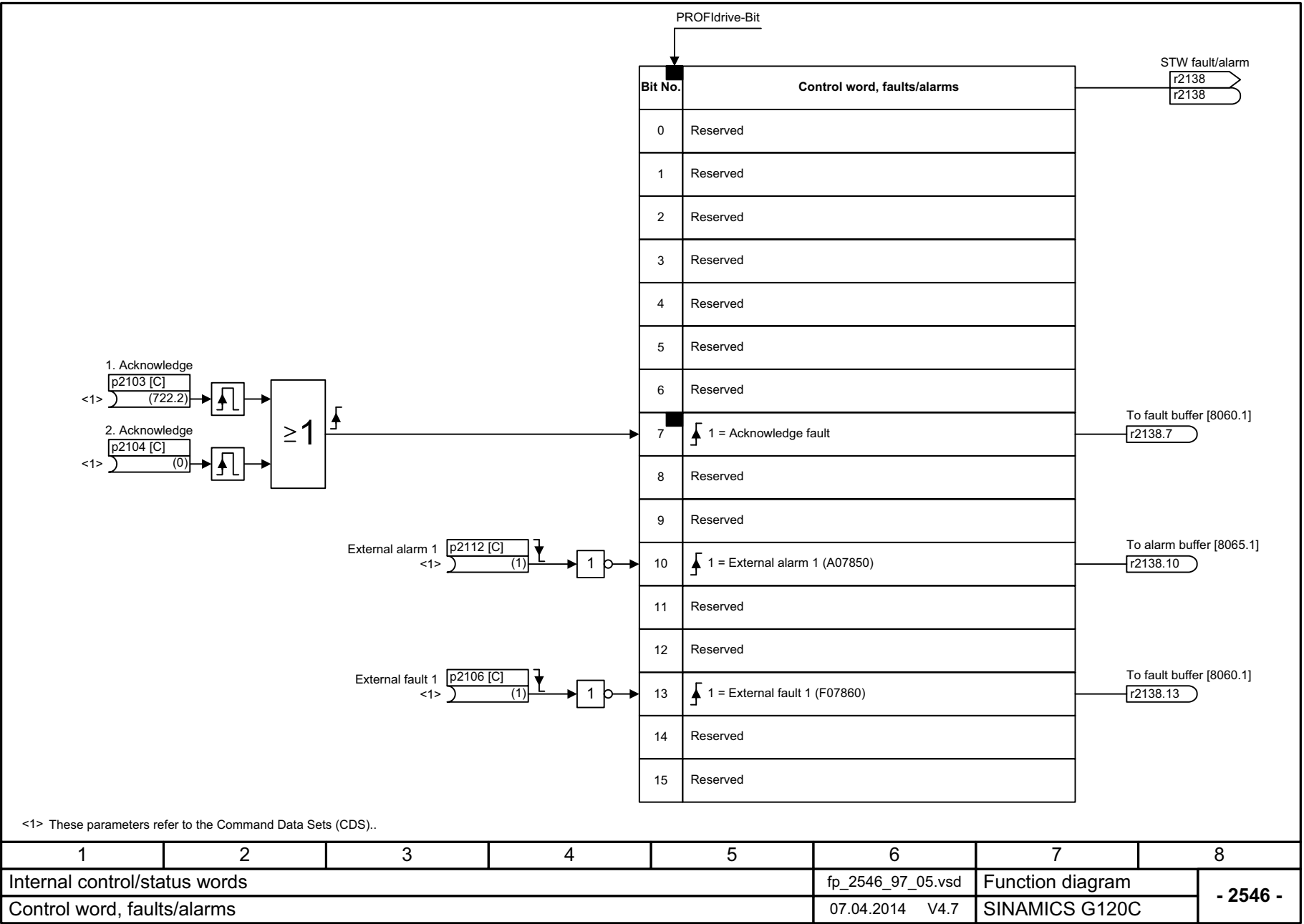


Fig. 3-52 2546 – Control word, faults/alarms

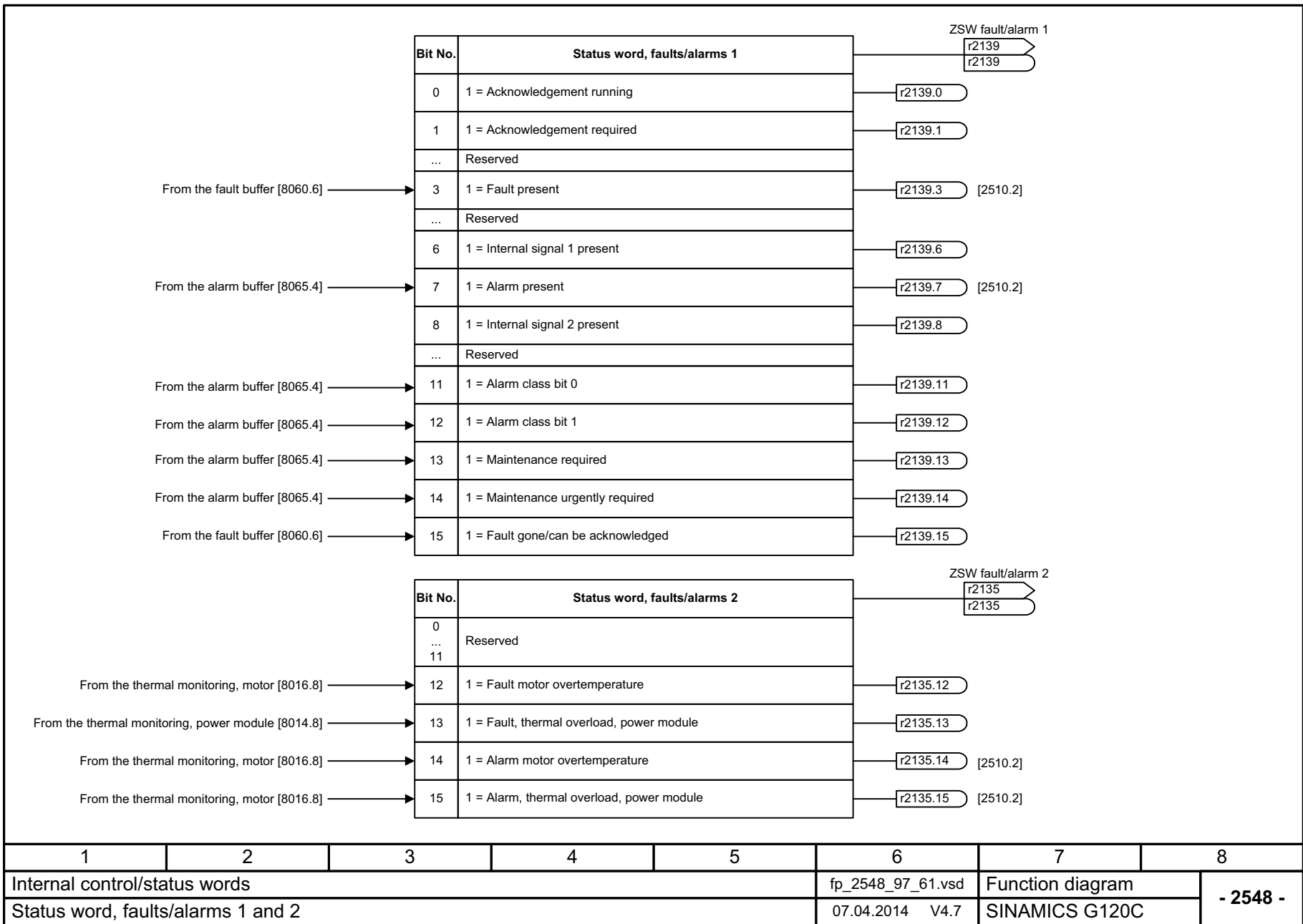


Fig. 3-53 2548 – Status word, faults/alarms 1 and 2

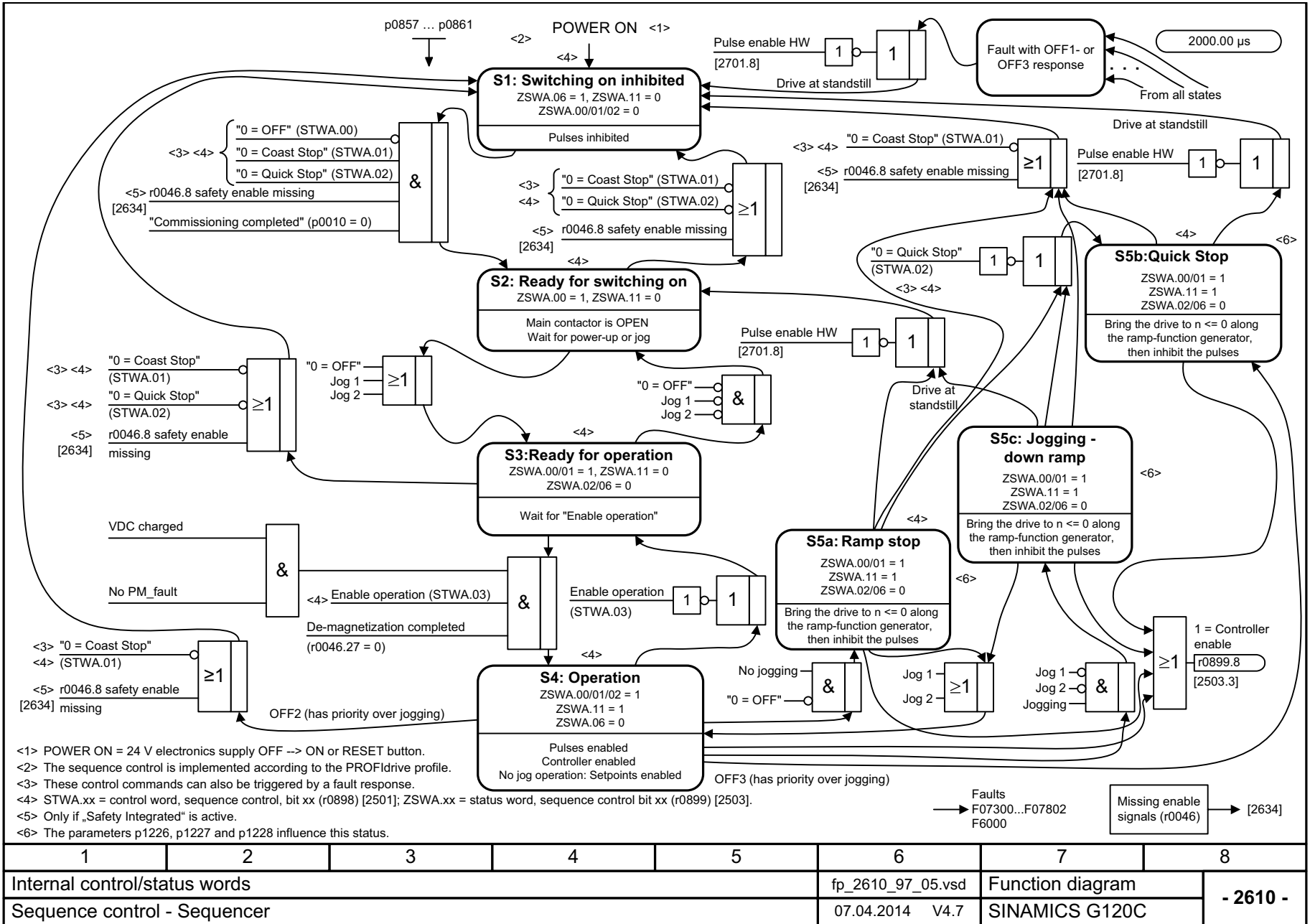


Fig. 3-54 2610 – Sequence control - Sequencer

1	2	3	4	5	6	7	8
Internal control/status words					fp_2610_97_05.vsd	Function diagram	
Sequence control - Sequencer					07.04.2014 V4.7	SINAMICS G120C	

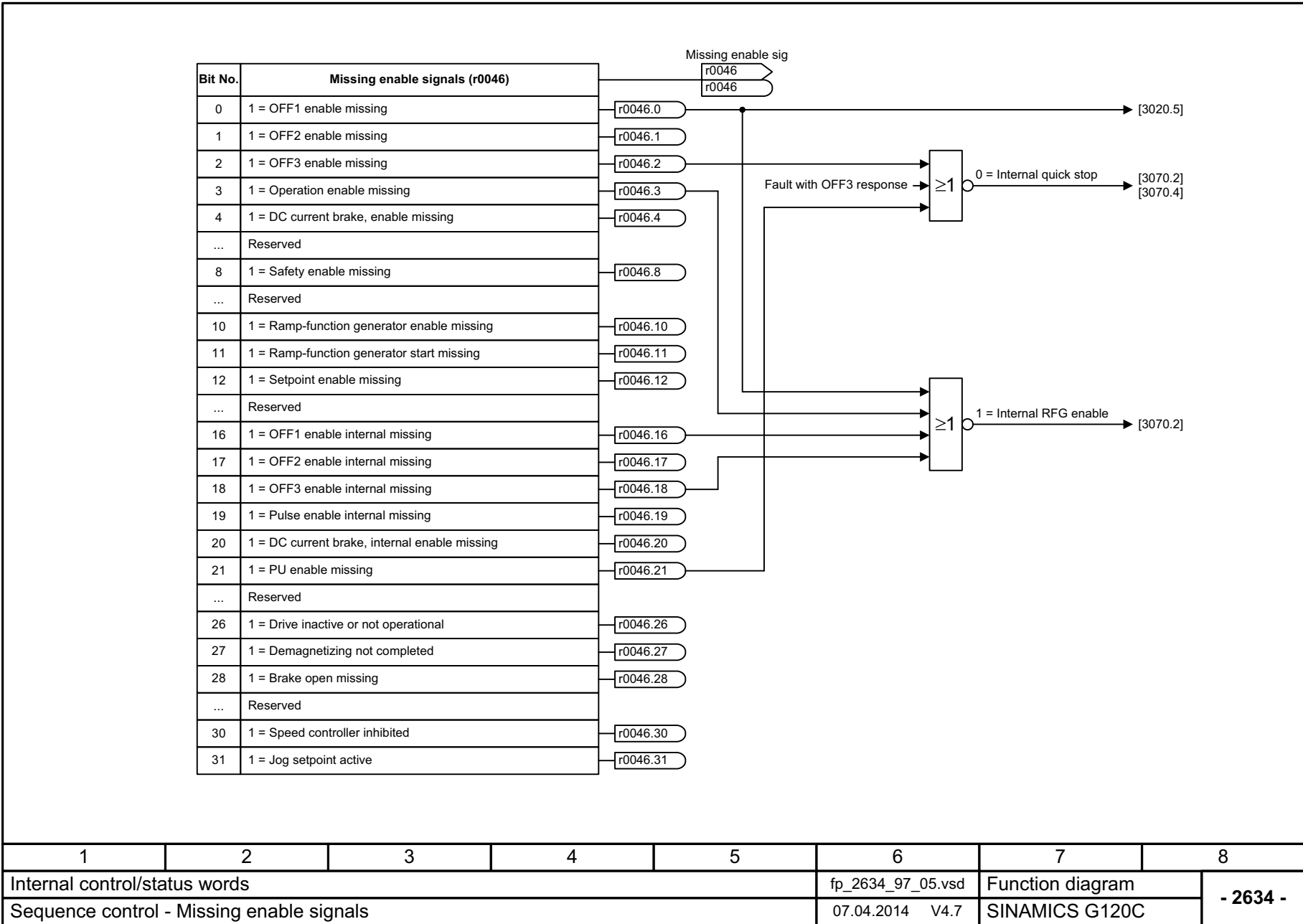


Fig. 3-55 2634 – Sequence control - Missing enable signals

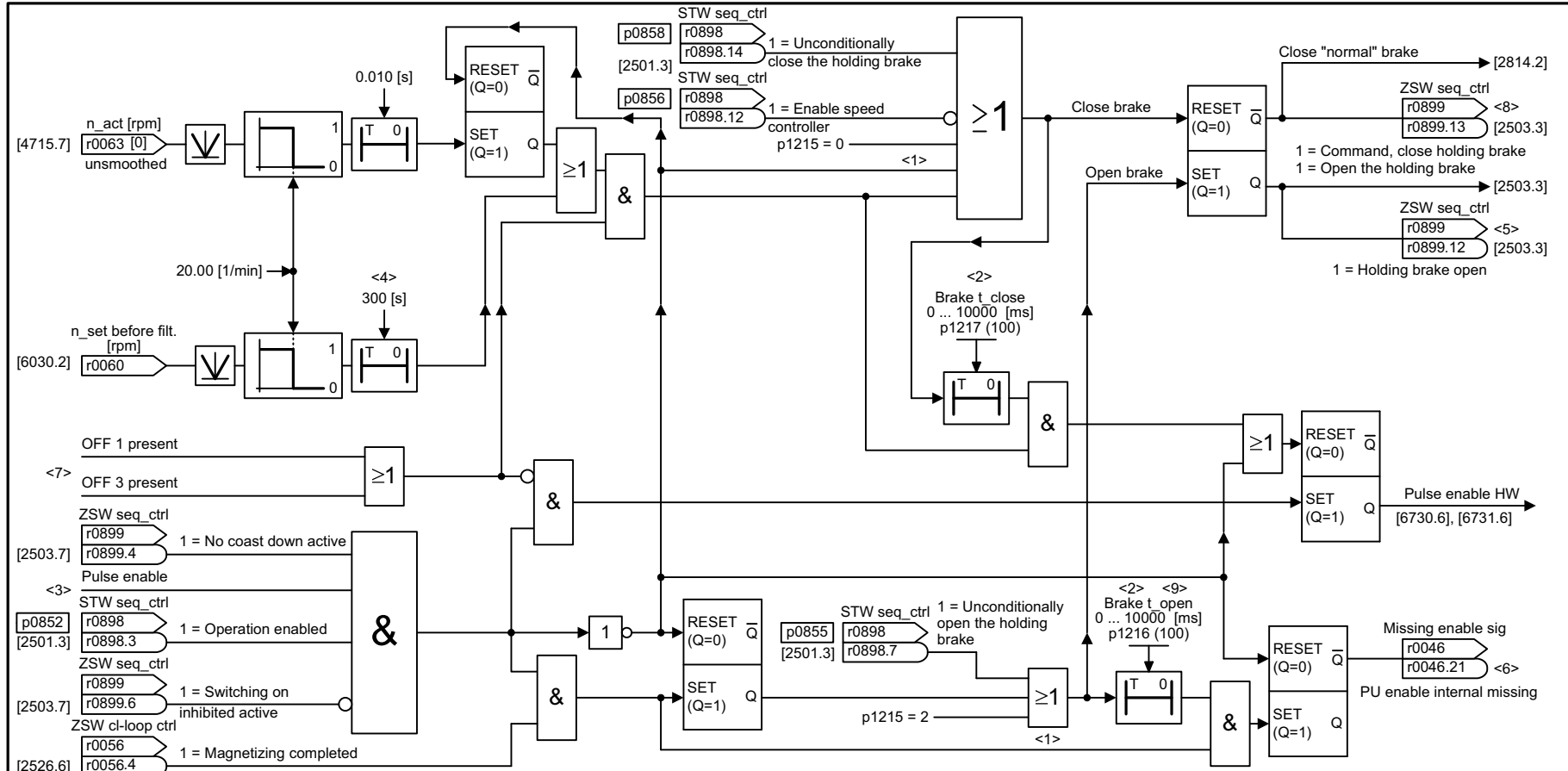
3.9 Brake control

Function diagrams

2701 – Basic brake control

385

Fig. 3-56 2701 – Basic brake control



- <1> Priority assignment (high -> low): p1215, p0858, p0855, p0856, sequence control.
- <2> If p1215 = 0, 2 -> t = 0 ms.
- <3> Only if Safety Integrated is active.
- <4> Monitoring time is initialized in dependence on the rated power of Power Module.
- <5> If an external motor holding brake is used, p1215 should be set to 3 and r0899.12 should be interconnected as control signal.
- <6> r0046.21 = 0, as long as r0046.0 = 1 (OFF1 enable missing or switching on inhibited).
r0046.21 = 1, if p0858 = 1 or p0856 = 0.
The signal generation is shown simplified.
- <7> The internal signal includes signals that lead to OFF1 or OFF3 (e. g. BICO or fault response).
- <8> If the brake is permanently applied or released (p0855, p0858 or p1215), the drive does not wait while the brake is released or applied.
- <9> Start frequency with U/f control: p1351, p1352 [6310.6]; Start torque with vector control: p1475 [6040.3]

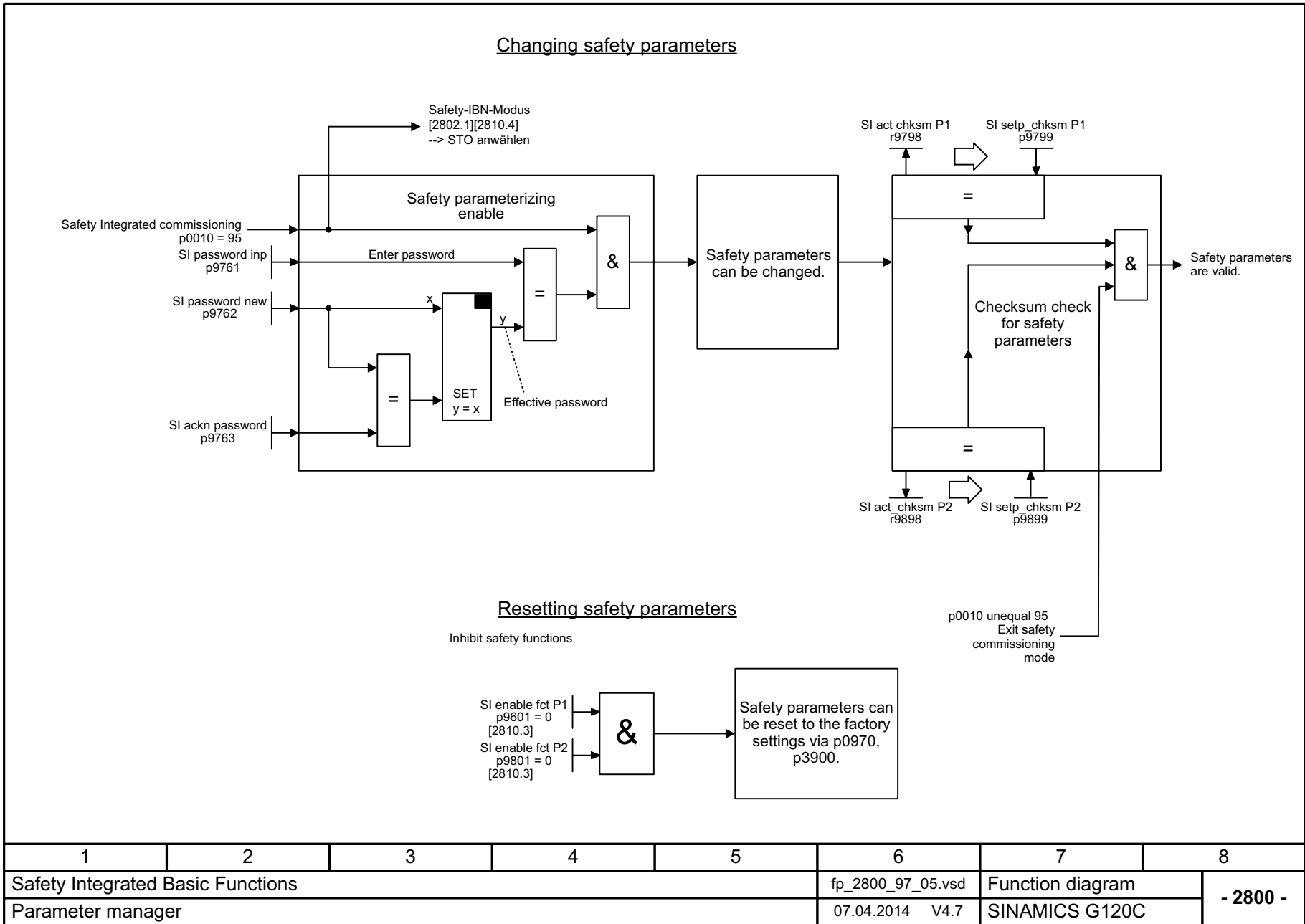
1	2	3	4	5	6	7	8
Brake Control					fp_2701_97_05.vsd	Function diagram	
Basic brake control					07.04.2014 V4.7	SINAMICS G120C	
							- 2701 -

3.10 Safety Integrated Basic Functions

Function diagrams

2800 – Parameter manager	387
2802 – Monitoring functions and faults/alarms	388
2804 – Status words	389
2810 – STO: Safe Torque Off	390
2812 – F-DI: Fail-safe Digital Input	391

Fig. 3-57 2800 – Parameter manager



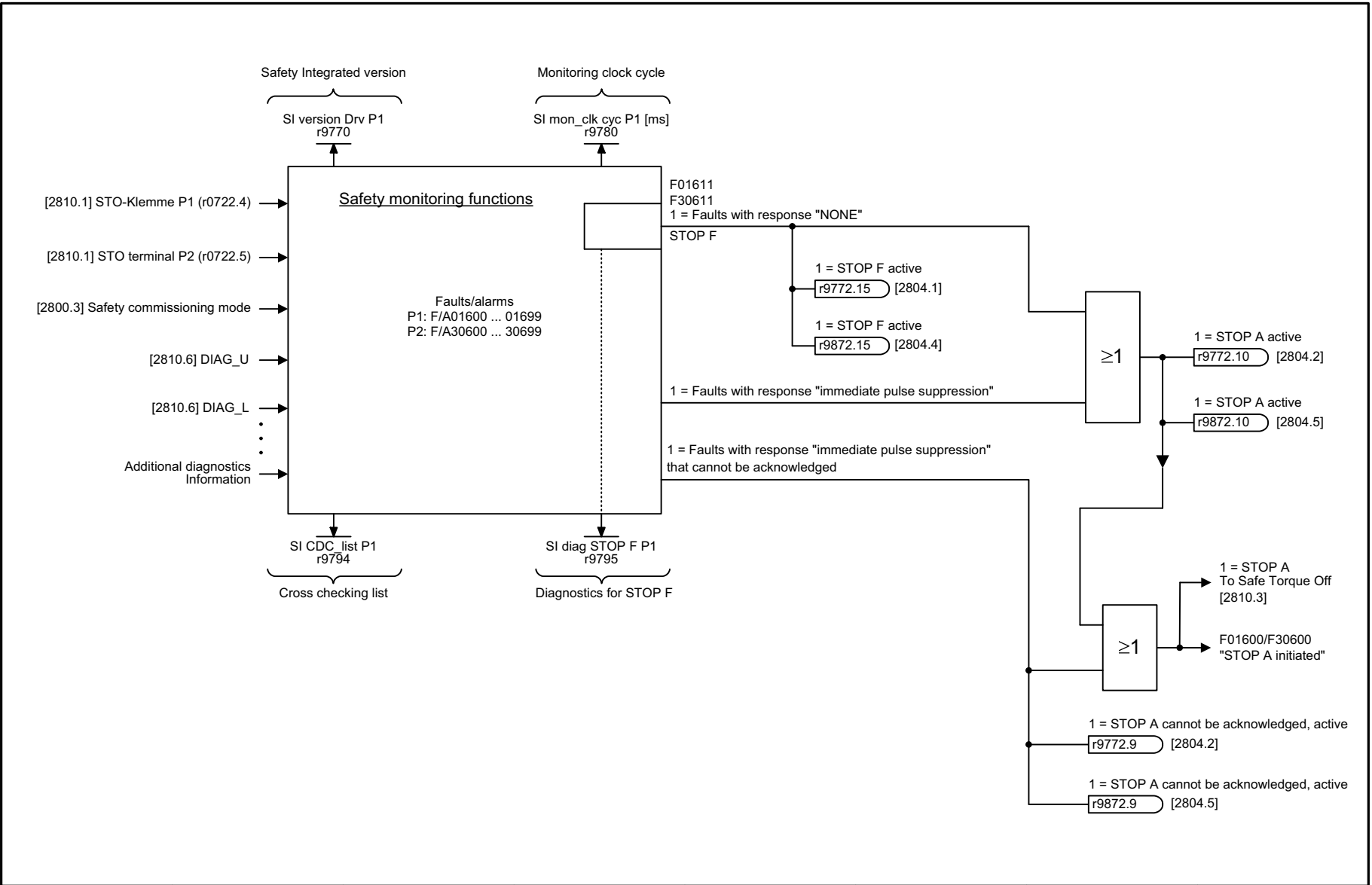
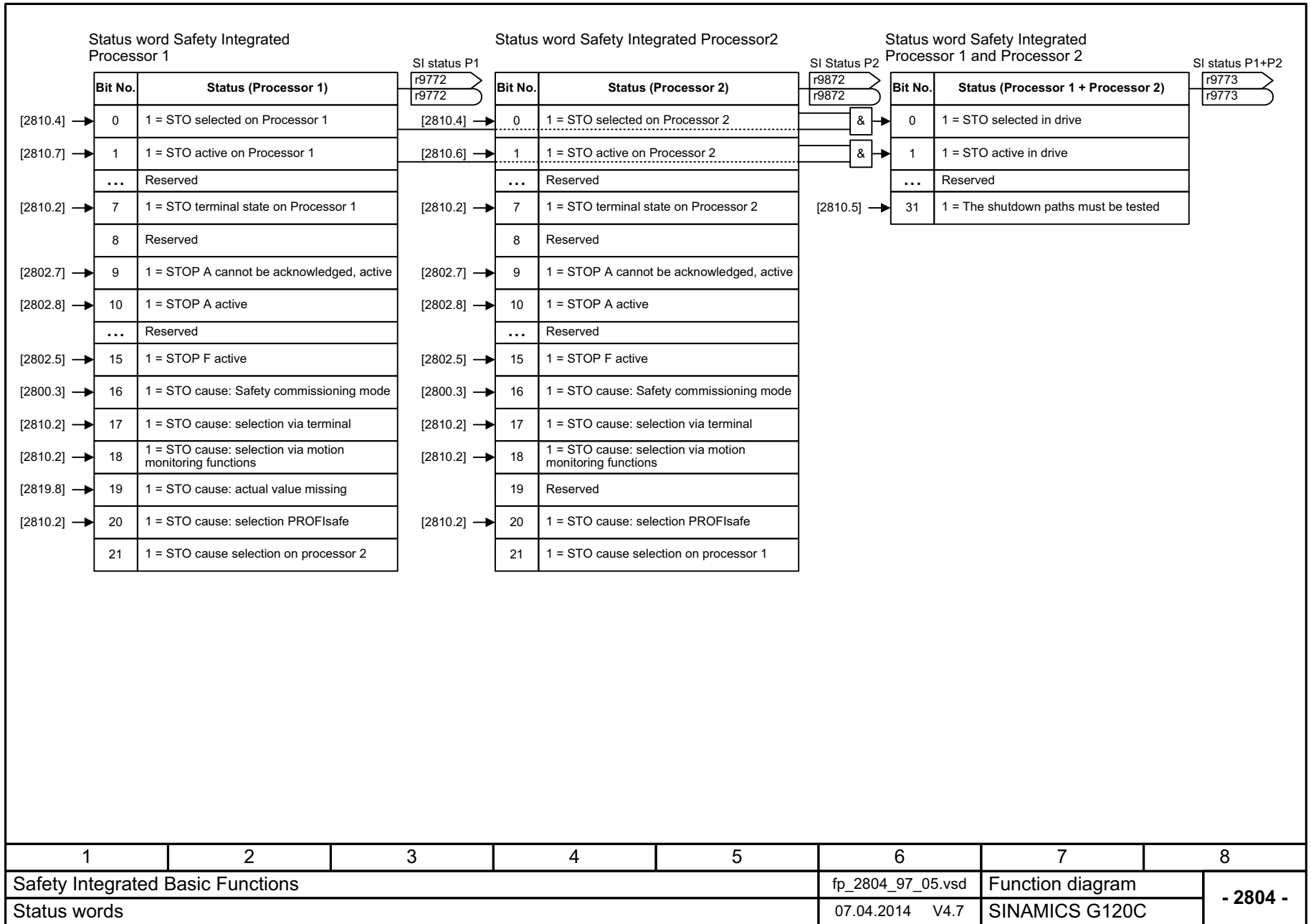


Fig. 3-58 2802 – Monitoring functions and faults/alarms

1	2	3	4	5	6	7	8
Safety Integrated Basic Functions					fp_2802_97_69.vsd	Function diagram	
Monitoring functions and faults/alarms					07.04.2014 V4.7	SINAMICS G120C	
							- 2802 -

Fig. 3-59 2804 – Status words



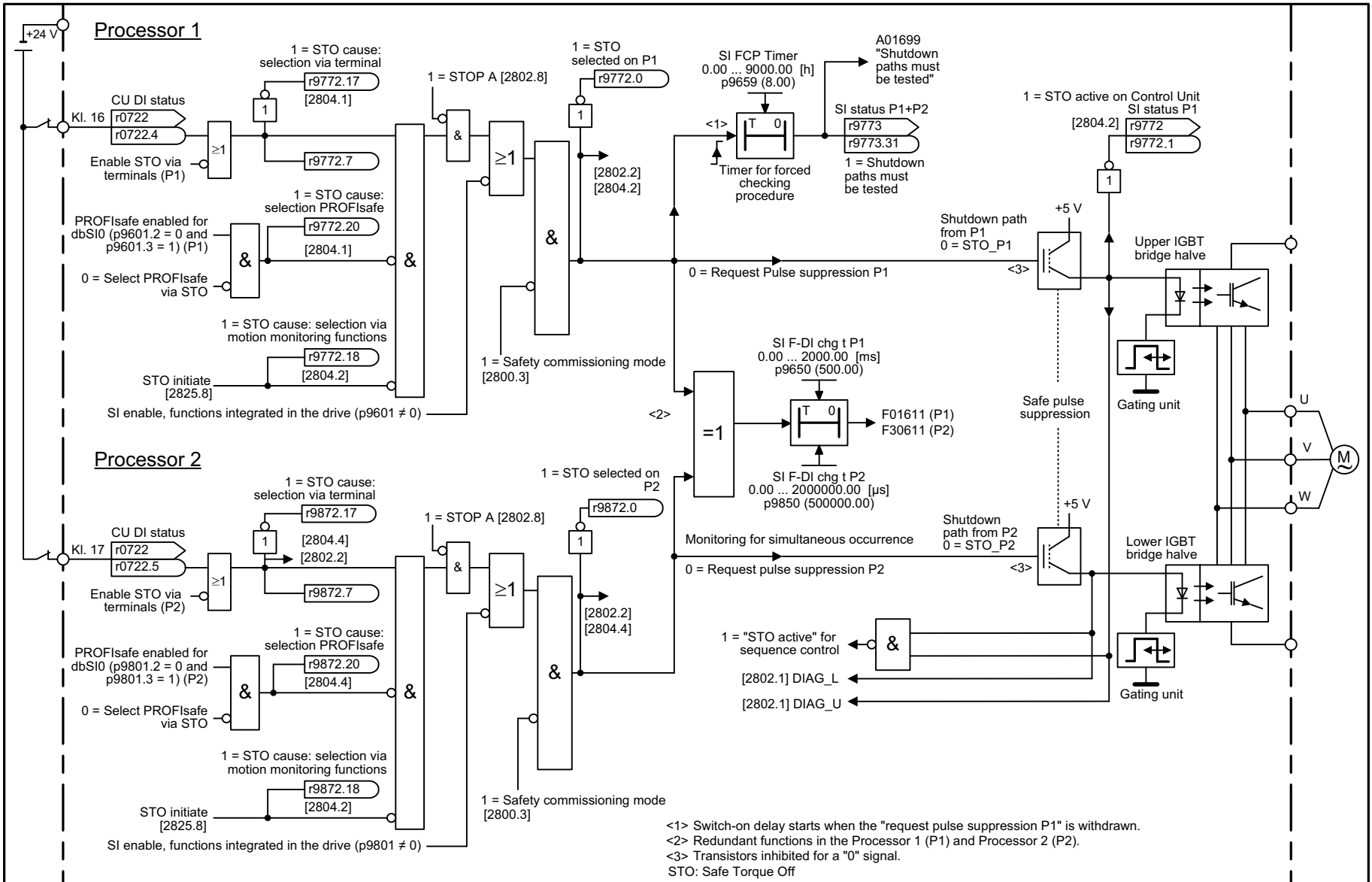


Fig. 3-60 2810 – STO: Safe Torque Off

1	2	3	4	5	6	7	8
Safety Integrated Basic Functions					fp_2810_97_05.vsd	Function diagram	
STO (Safe Torque Off)					07.04.2014 V4.7	SINAMICS G120C	

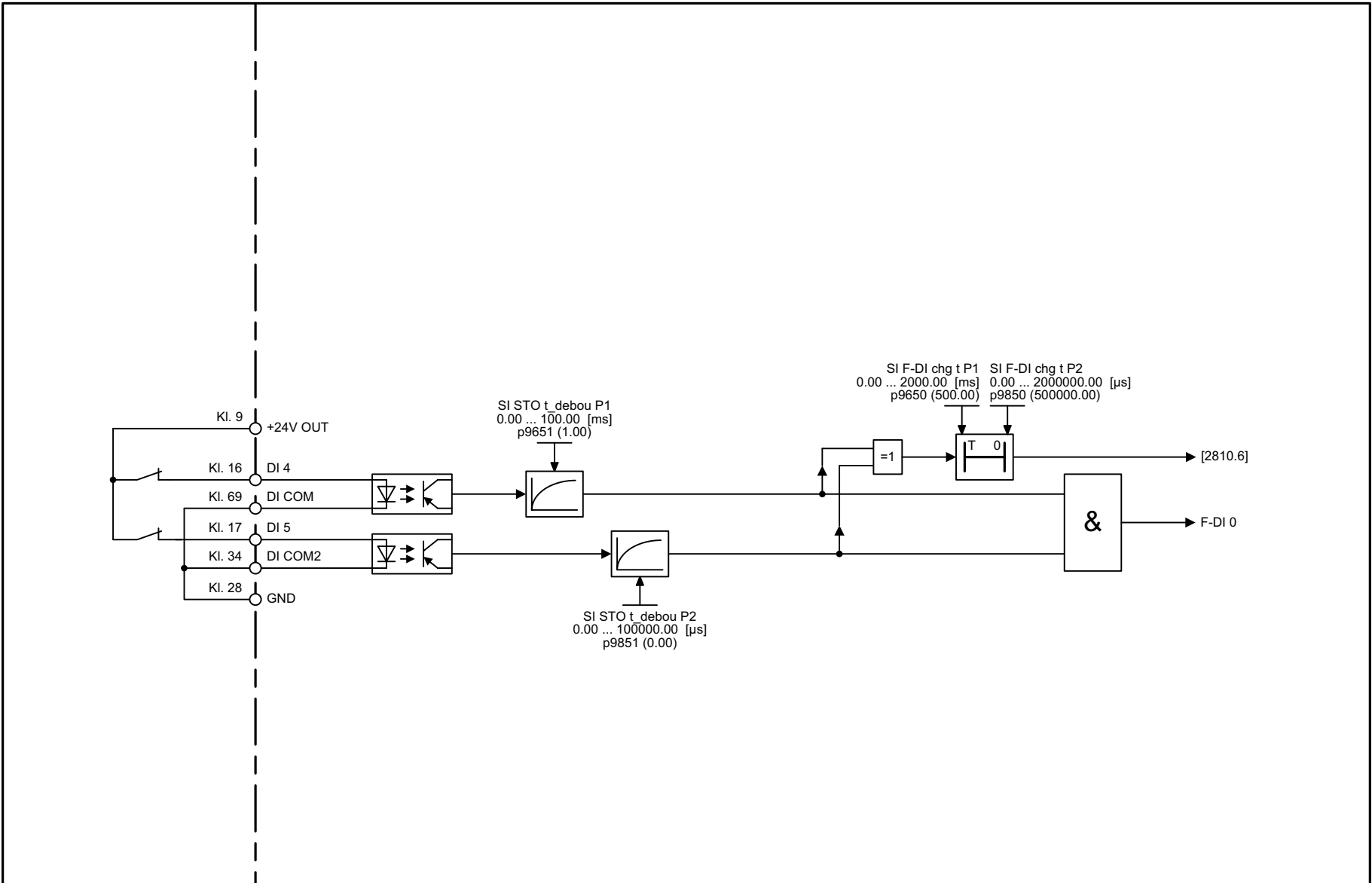


Fig. 3-61 2812 – F-DI: Fail-safe Digital Input

SINAMICS G120C
List Manual (LH13), 04/2014, A5E33840768B AA

1	2	3	4	5	6	7	8
Safety Integrated Basic Functions					fp_2812_97_66.vsd	Function diagram	
F-DI (Fail-safe Digital Input)					07.04.2014 V4.7	SINAMICS G120C	
							- 2812 -

3.11 Safety Integrated PROFIsafe

Function diagrams

2915 – Standard telegrams

393

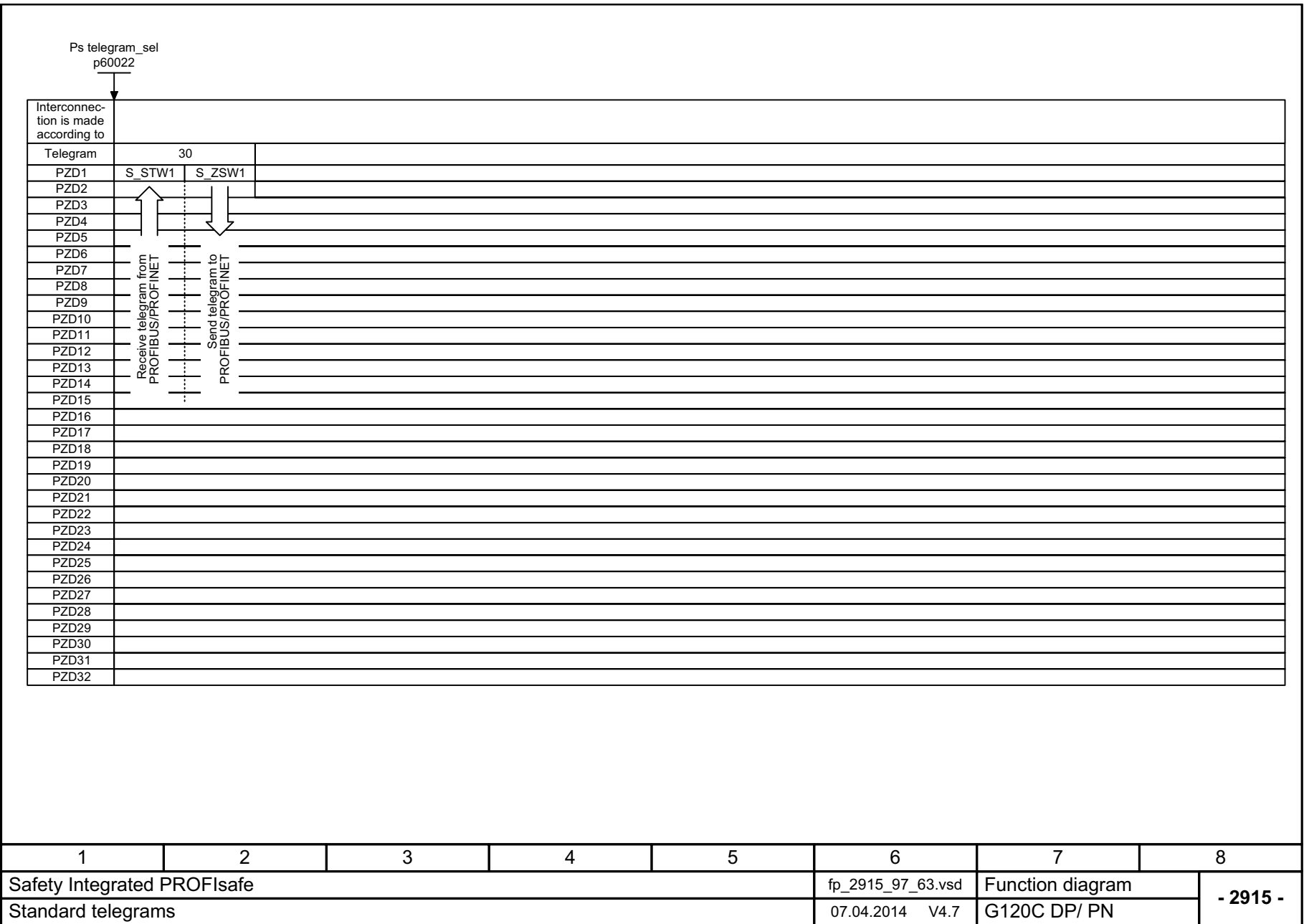


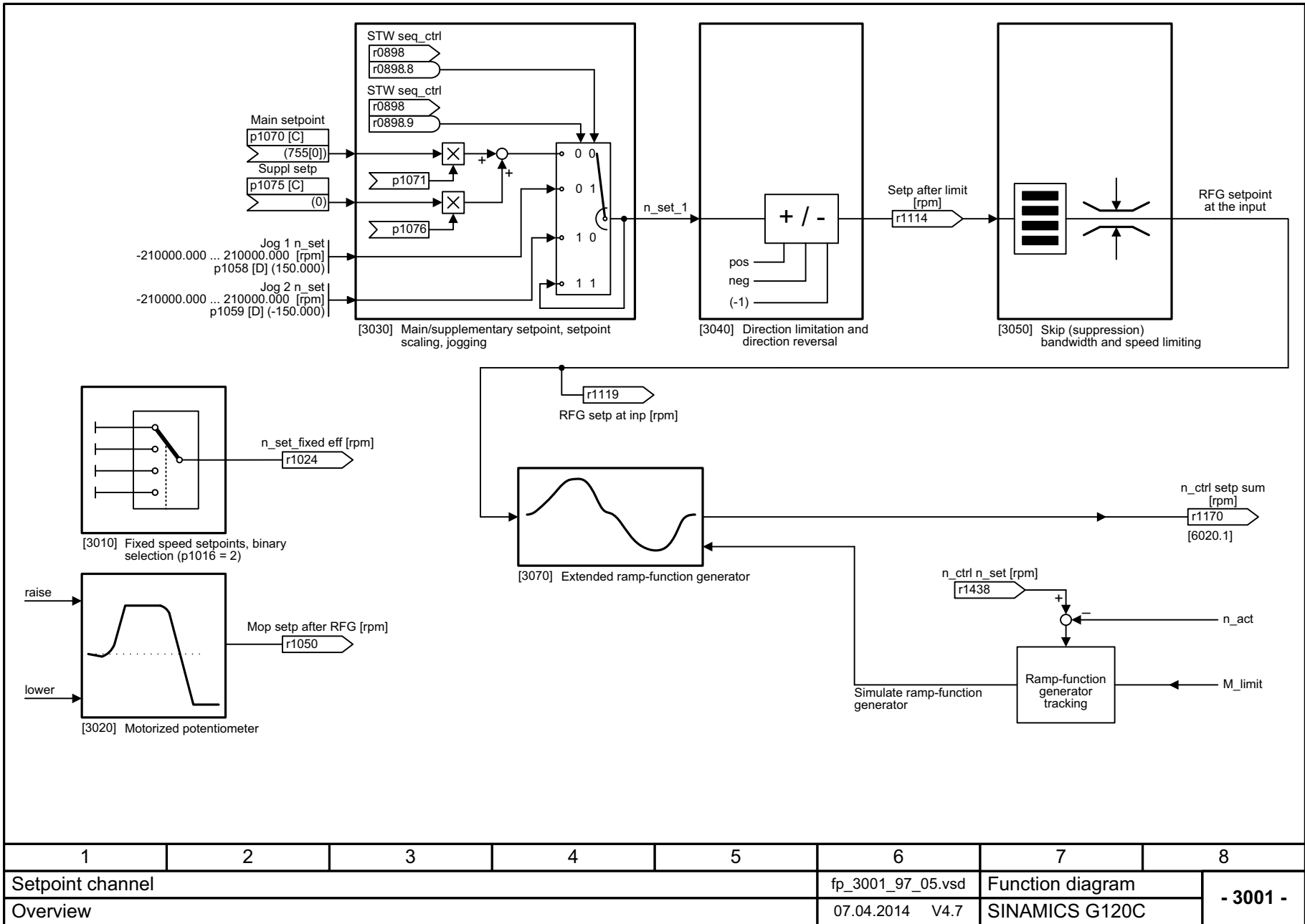
Fig. 3-62 2915 – Standard telegrams

3.12 Setpoint channel

Function diagrams

3001 – Overview	395
3010 – Fixed speed setpoints, binary selection (p1016 = 2)	396
3011 – Fixed speed setpoints, direct selection (p1016 = 1)	397
3020 – Motorized potentiometer	398
3030 – Main/supplementary setpoint, setpoint scaling, jogging	399
3040 – Direction limitation and direction reversal	400
3050 – Skip frequency bands and speed limitations	401
3070 – Extended ramp-function generator	402

Fig. 3-63 3001 – Overview



1	2	3	4	5	6	7	8
Setpoint channel					fp_3001_97_05.vsd	Function diagram	
Overview					07.04.2014 V4.7	SINAMICS G120C	
							- 3001 -

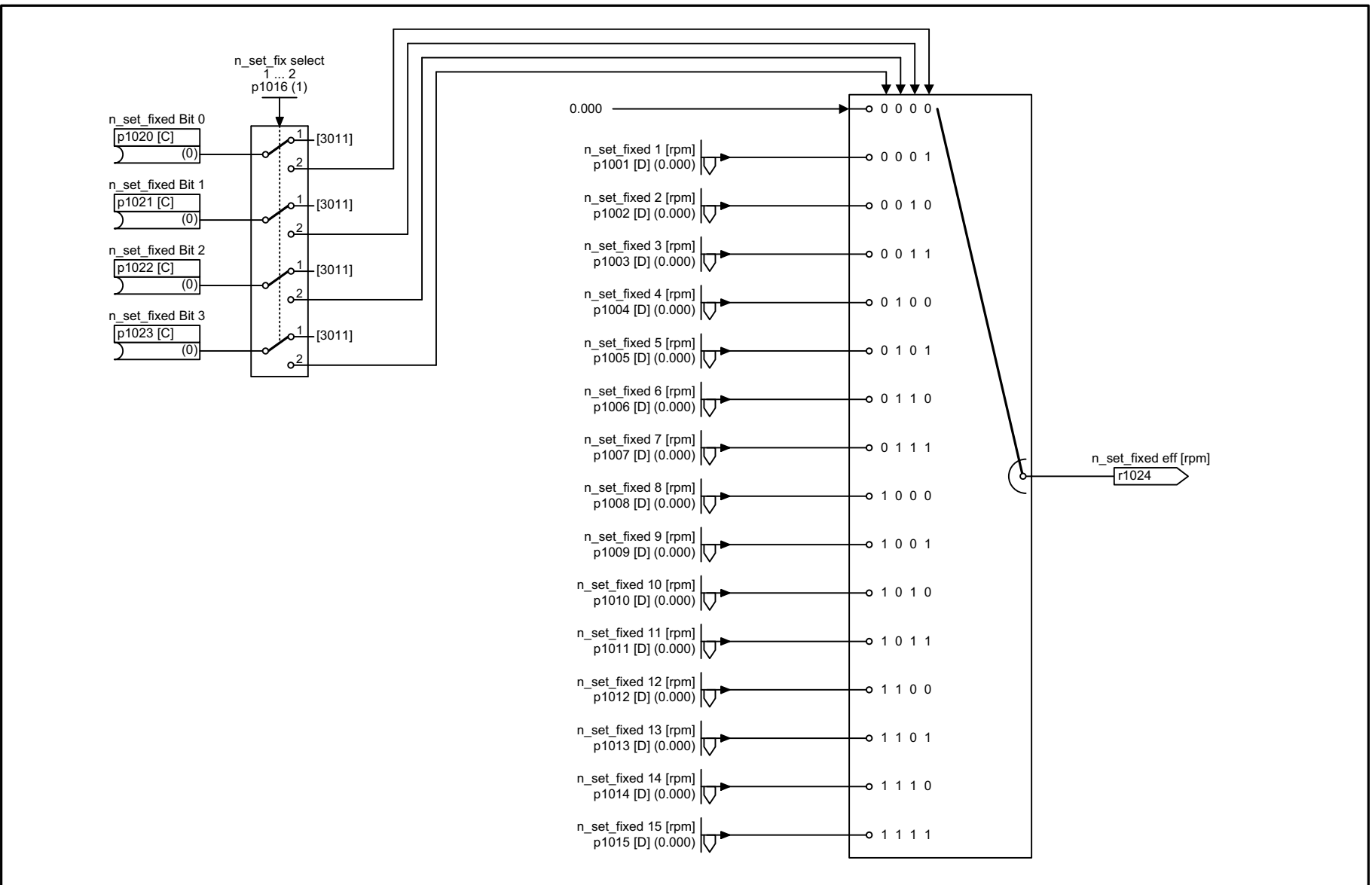
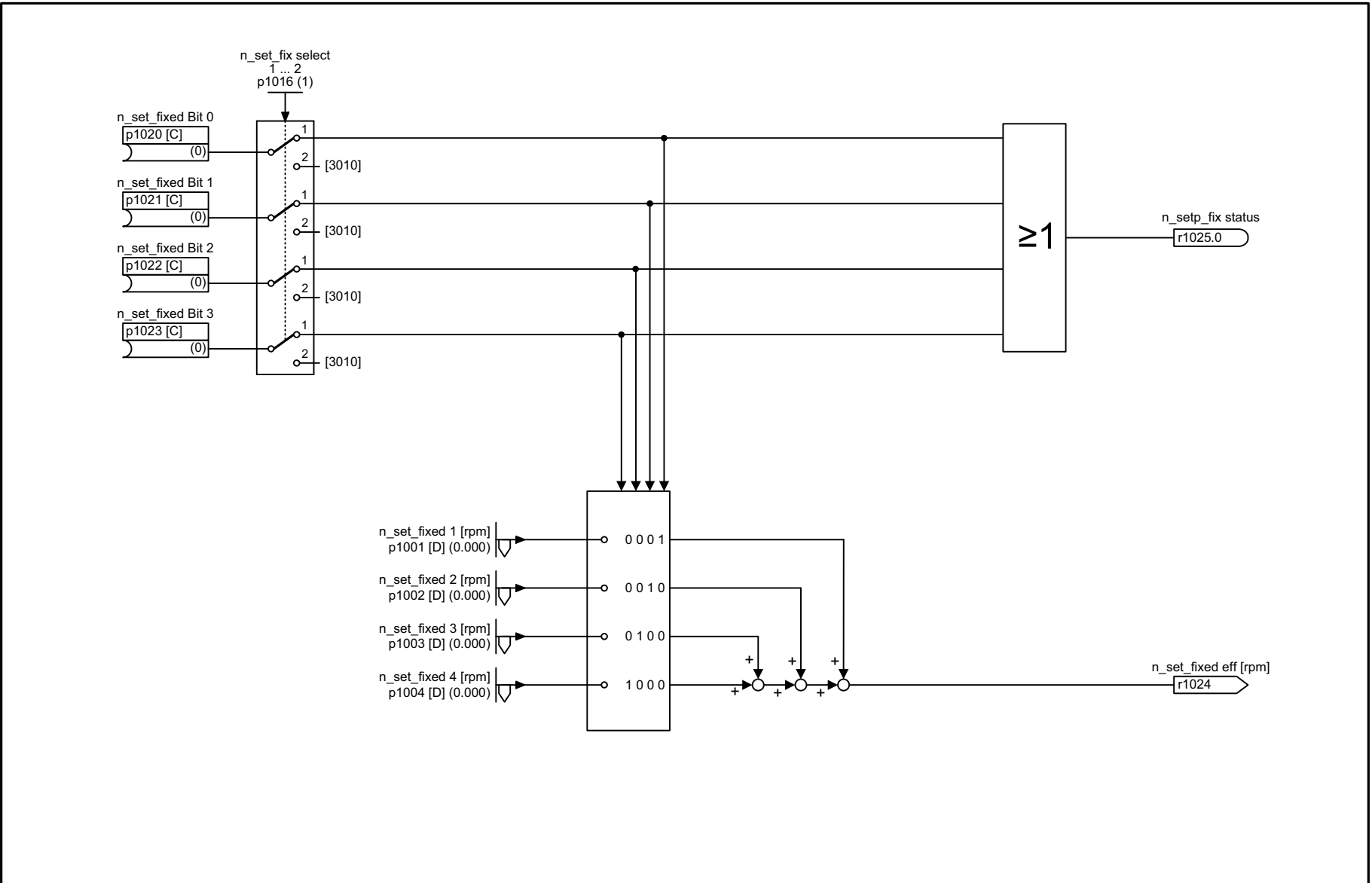


Fig. 3-64 3010 – Fixed speed setpoints, binary selection (p1016 = 2)

1	2	3	4	5	6	7	8
Setpoint channel					fp_3010_97_05.vsd	Function diagram	
Fixed speed setpoints, binary selection (p1016 = 2)					07.04.2014 V4.7	SINAMICS G120C	
							- 3010 -



1	2	3	4	5	6	7	8
Setpoint channel					fp_3011_97_05.vsd	Function diagram	
Fixed speed setpoints, direct selection (p1016 = 1)					07.04.2014 V4.7	SINAMICS G120C	
							- 3011 -

Fig. 3-65 3011 – Fixed speed setpoints, direct selection (p1016 = 1)

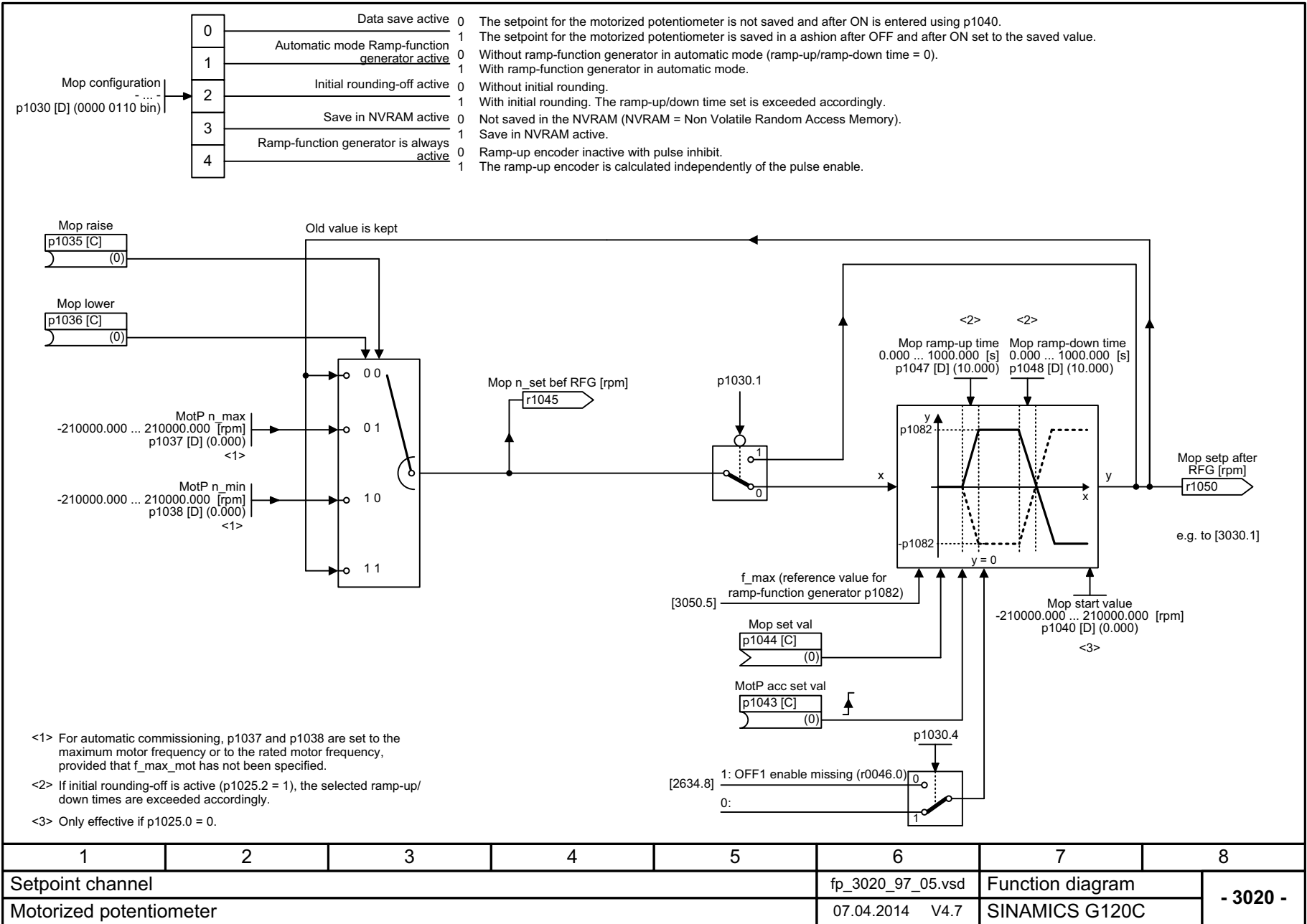
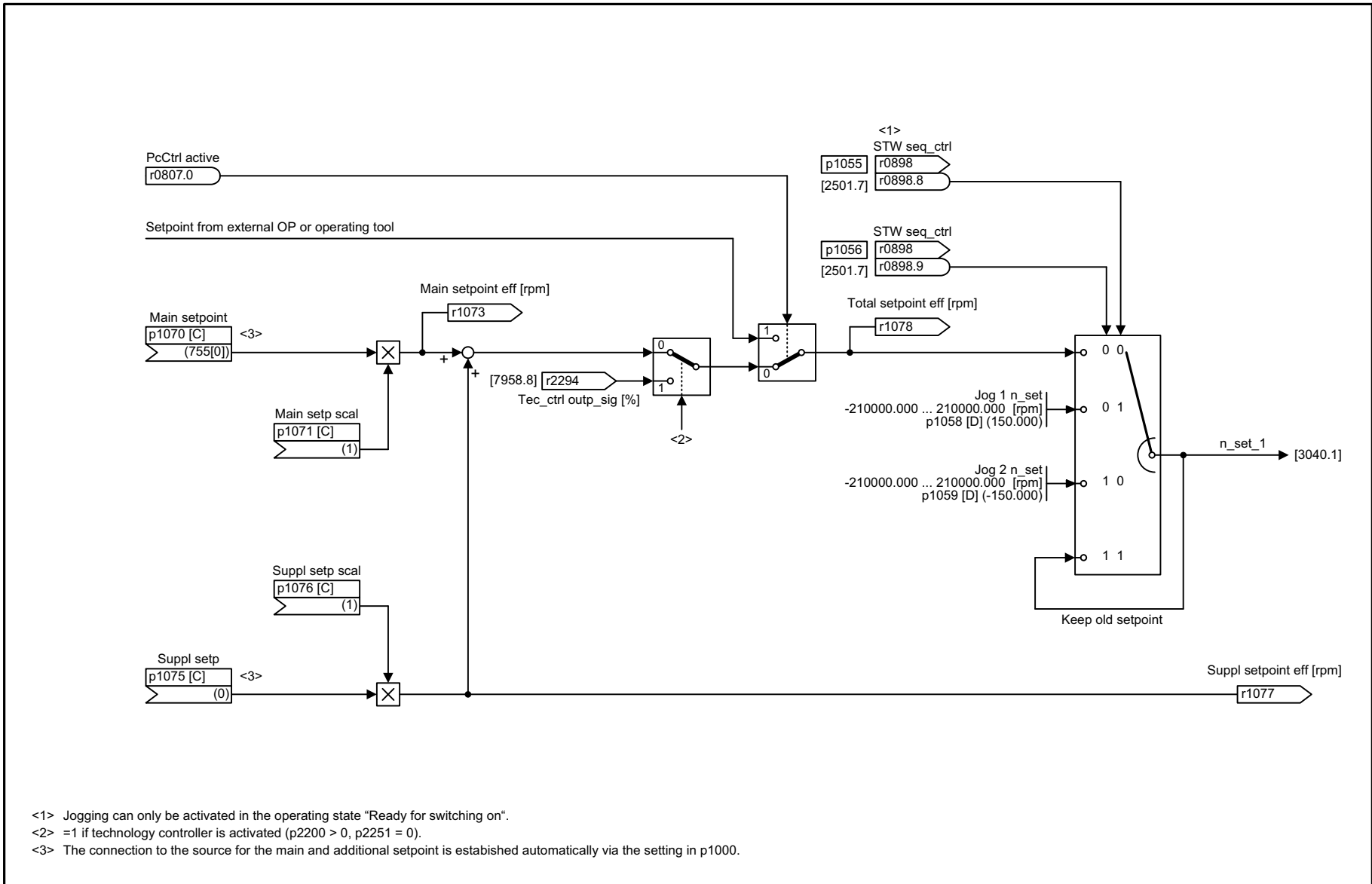


Fig. 3-66 3020 – Motorized potentiometer

Fig. 3-67 3030 – Main/supplementary setpoint, setpoint scaling, jogging



<1> Jogging can only be activated in the operating state "Ready for switching on".
 <2> =1 if technology controller is activated (p2200 > 0, p2251 = 0).
 <3> The connection to the source for the main and additional setpoint is established automatically via the setting in p1000.

1	2	3	4	5	6	7	8
Setpoint channel					fp_3030_97_05.vsd	Function diagram	
Main/supplementary setpoint, setpoint scaling, jogging					07.04.2014 V4.7	SINAMICS G120C	
							- 3030 -

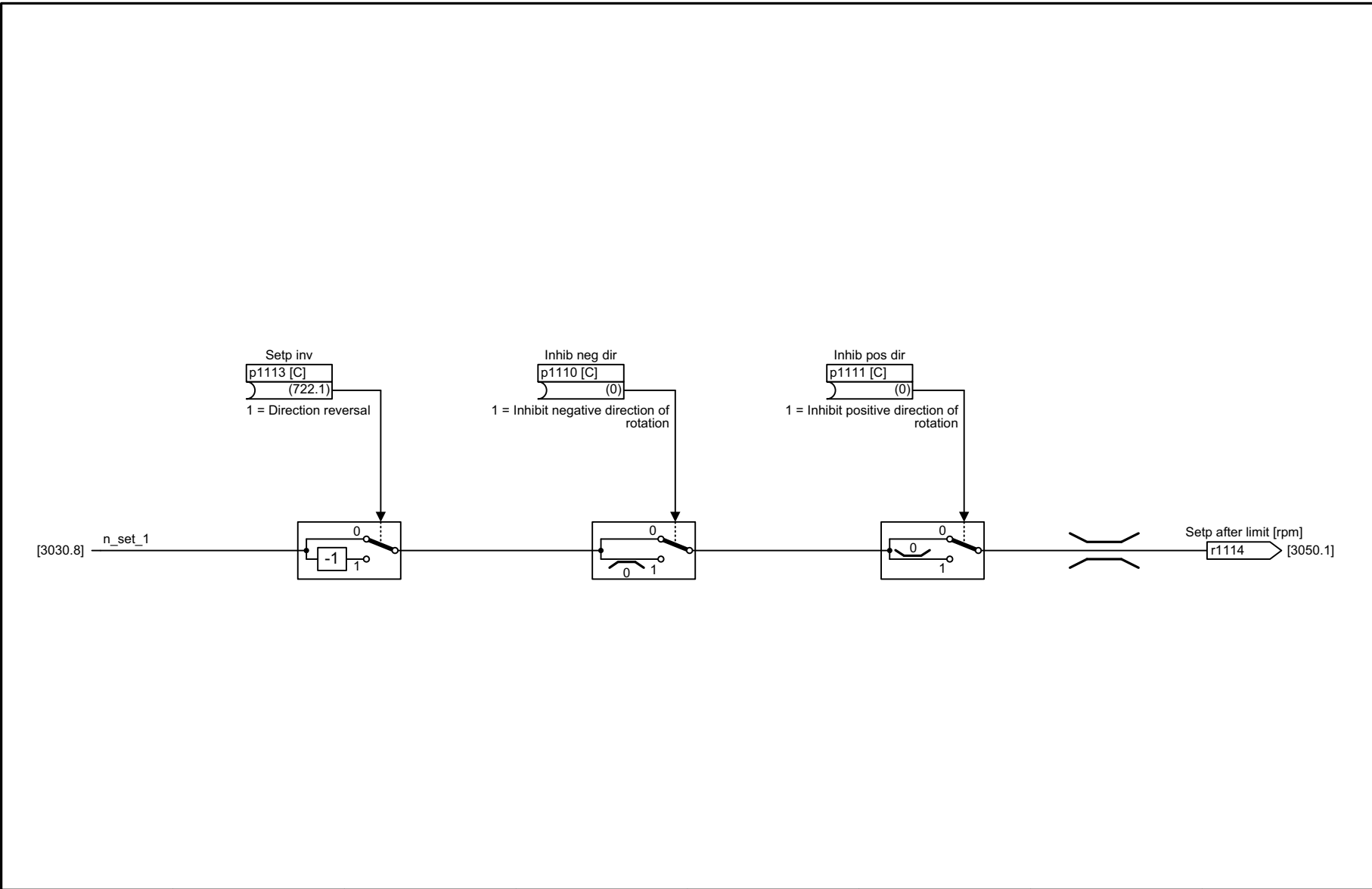
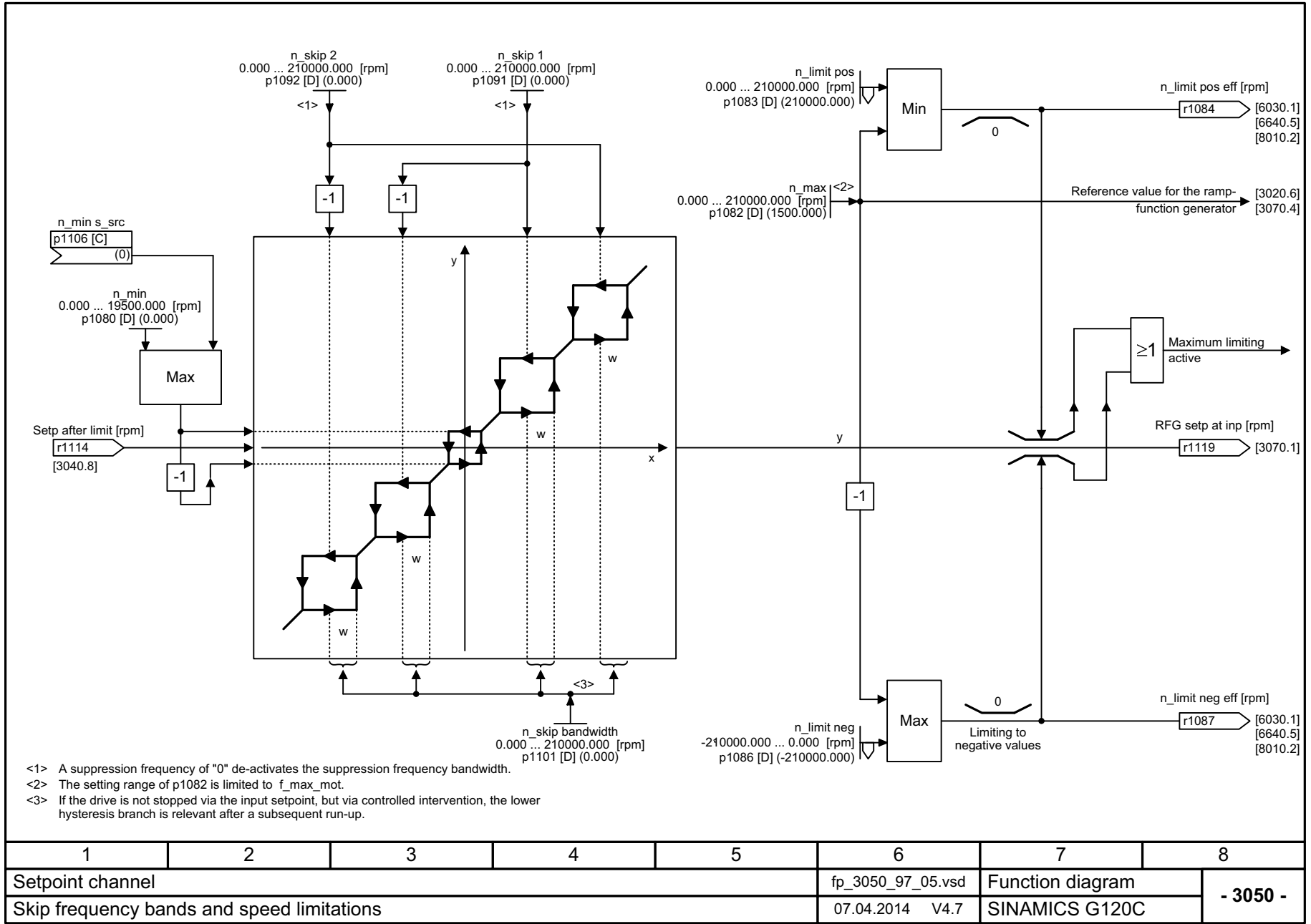
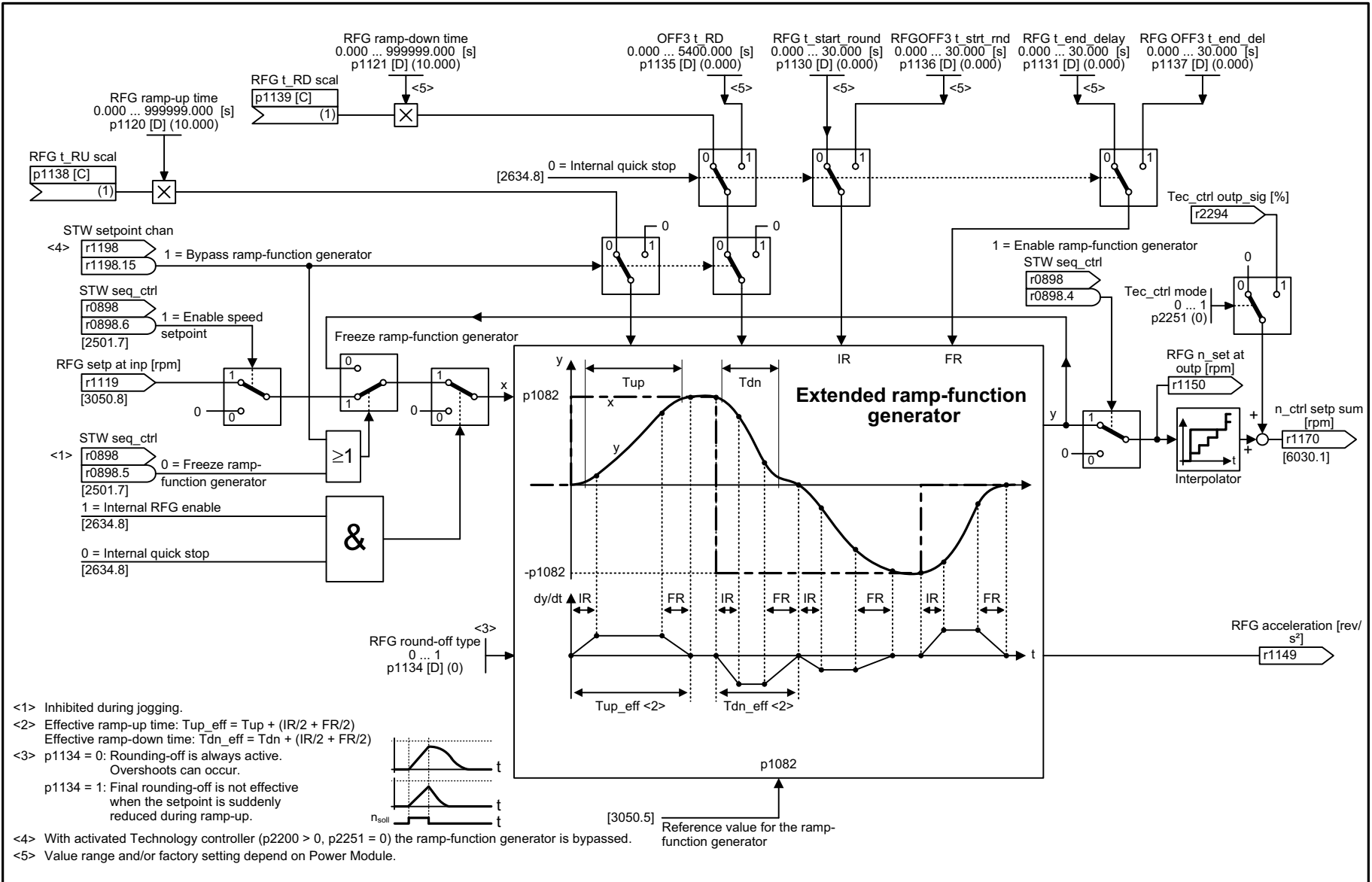


Fig. 3-68 3040 – Direction limitation and direction reversal

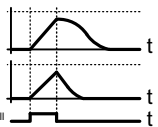
1	2	3	4	5	6	7	8
Setpoint channel					fp_3040_97_05.vsd	Function diagram	
Direction limitation and direction reversal					07.04.2014 V4.7	SINAMICS G120C	
							- 3040 -

Fig. 3-69 3050 – Skip frequency bands and speed limitations





- <1> Inhibited during jogging.
- <2> Effective ramp-up time: $T_{up_eff} = T_{up} + (IR/2 + FR/2)$
Effective ramp-down time: $T_{dn_eff} = T_{dn} + (IR/2 + FR/2)$
- <3> p1134 = 0: Rounding-off is always active. Overshoots can occur.
p1134 = 1: Final rounding-off is not effective when the setpoint is suddenly reduced during ramp-up.
- <4> With activated Technology controller (p2200 > 0, p2251 = 0) the ramp-function generator is bypassed.
- <5> Value range and/or factory setting depend on Power Module.



1	2	3	4	5	6	7	8
Setpoint channel					fp_3070_97_05.vsd	Function diagram	
Extended ramp-function generator					07.04.2014 V4.7	SINAMICS G120C	

- 3070 -

Fig. 3-70 3070 – Extended ramp-function generator

3.13 Vector control

Function diagrams

6020 – Speed control and generation of the torque limits, overview	404
6030 – Speed setpoint, acceleration model	405
6040 – Speed controller	406
6060 – Torque setpoint	407
6220 – Vdc_max controller and Vdc_min controller	408
6300 – U/f control, overview	409
6301 – U/f characteristic and voltage boost	410
6310 – Resonance damping and slip compensation (U/f)	411
6320 – Vdc_max controller and Vdc_min controller (U/f)	412
6630 – Upper/lower torque limit	413
6640 – Current/power/torque limits	414
6700 – Current control, overview	415
6710 – Current setpoint filter	416
6714 – Iq and Id controllers	417
6721 – Id setpoint (PEM, p0300 = 2)	418
6722 – Field weakening characteristic, Id setpoint (ASM, p0300 = 1)	419
6723 – Field weakening controller, flux controller (ASM, p0300 = 1)	420
6724 – Field weakening controller (PEM, p0300 = 2)	421
6730 – Interface to the Power Module (ASM, p0300 = 1)	422
6731 – Interface to the Power Module (PEM, p0300 = 2)	423
6799 – Display signals	424

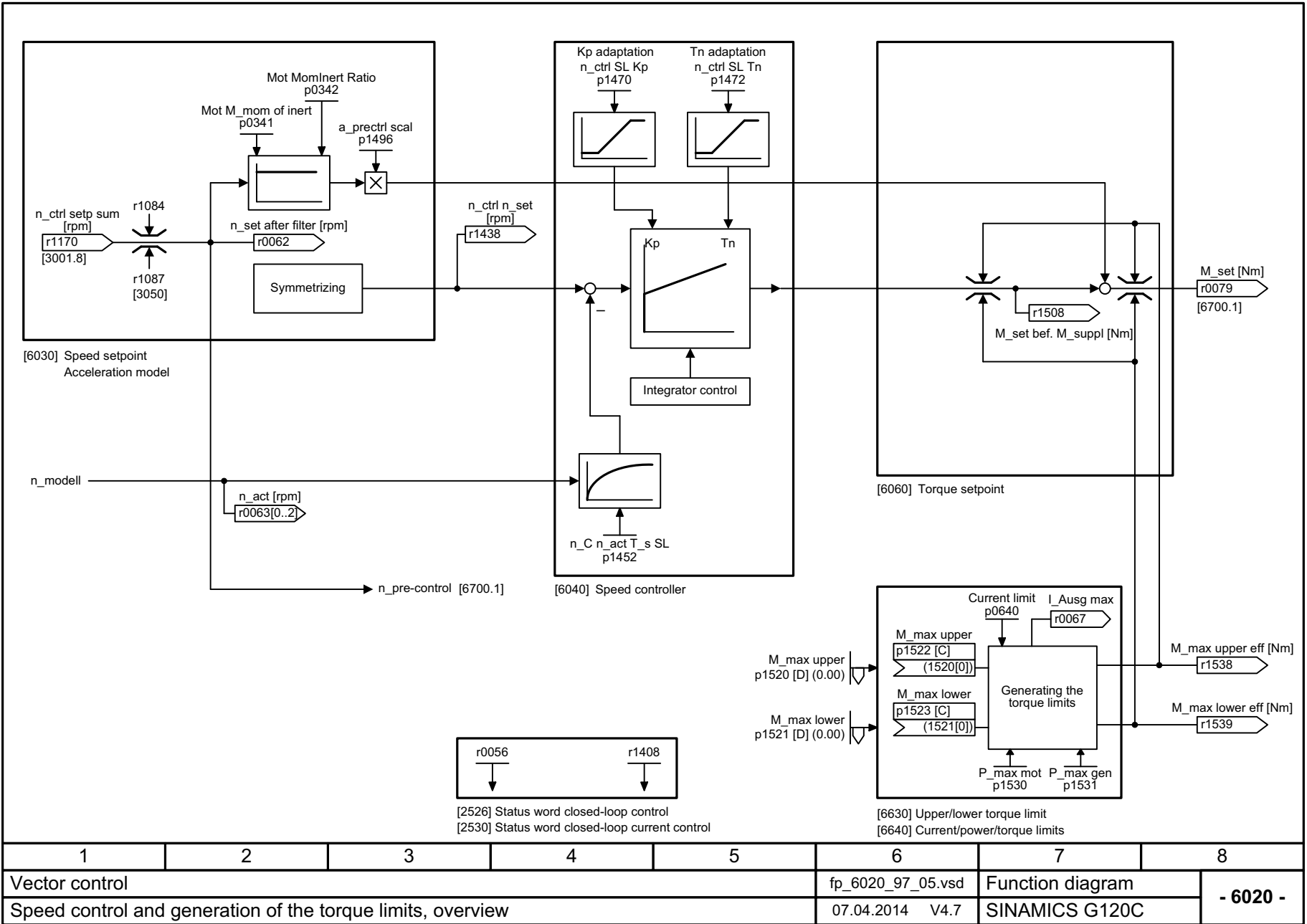
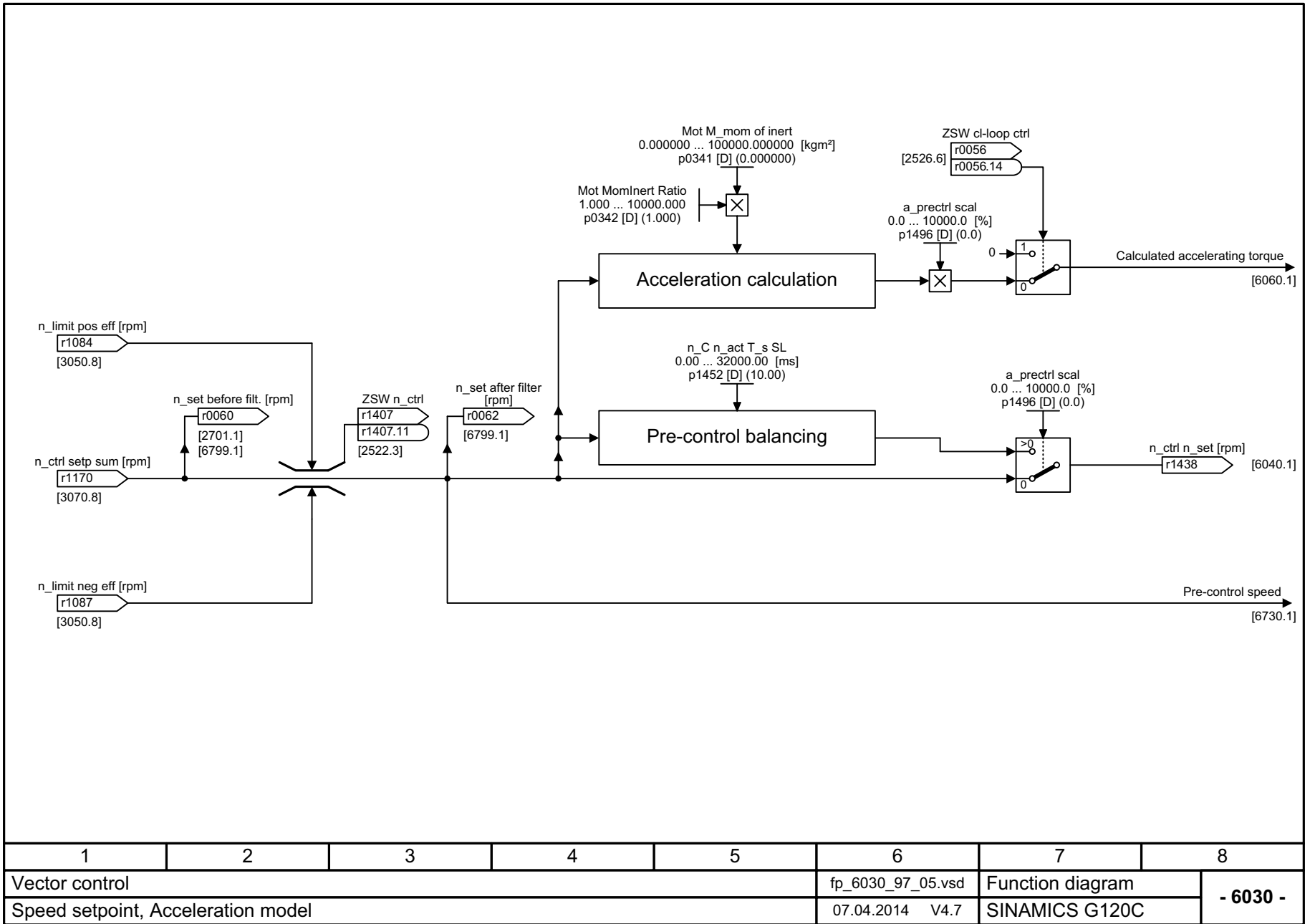
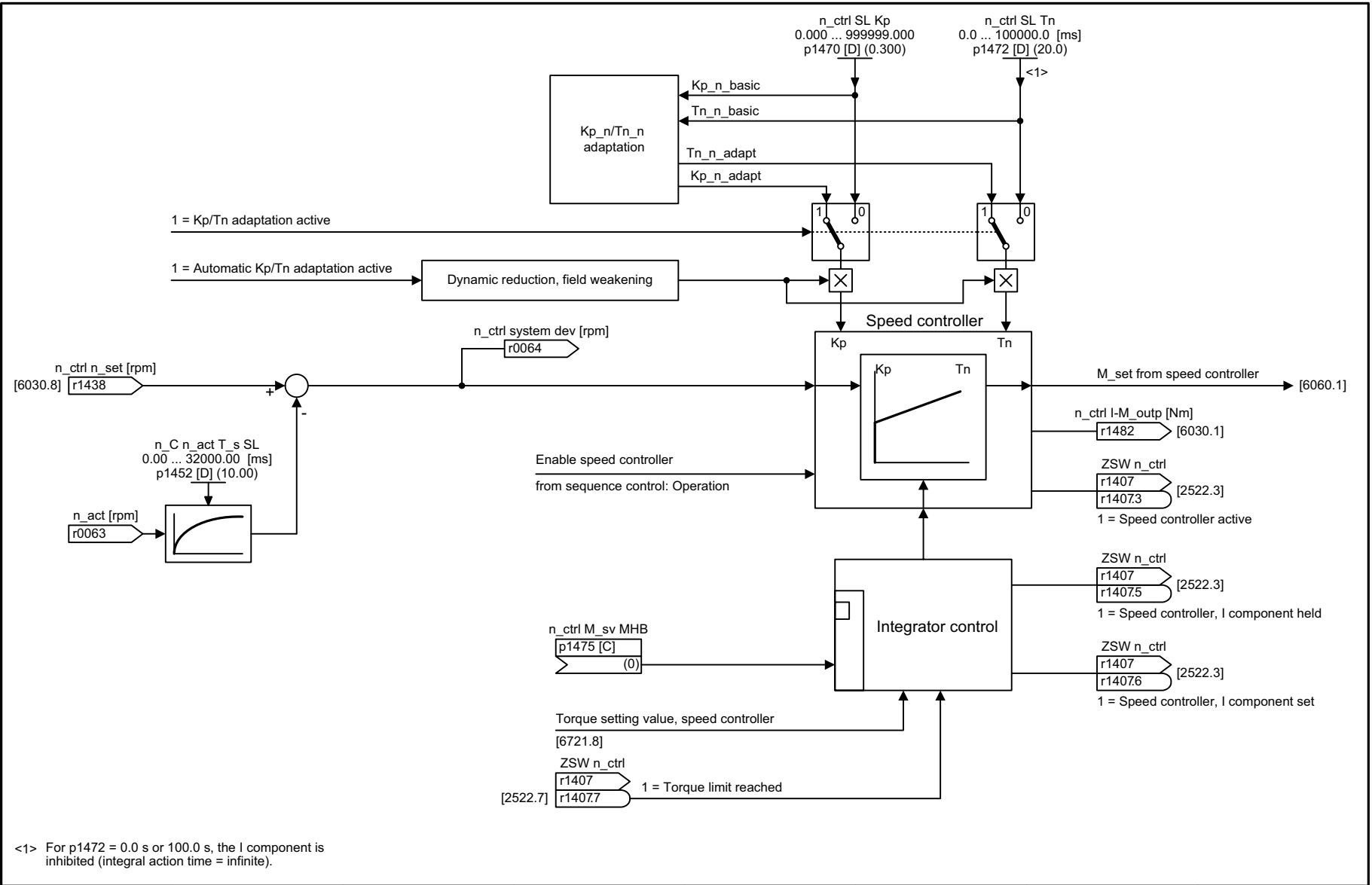


Fig. 3-71 6020 – Speed control and generation of the torque limits, overview

1	2	3	4	5	6	7	8
Vector control					fp_6020_97_05.vsd	Function diagram	
Speed control and generation of the torque limits, overview					07.04.2014 V4.7	SINAMICS G120C	
							- 6020 -

Fig. 3-72 6030 – Speed setpoint, acceleration model



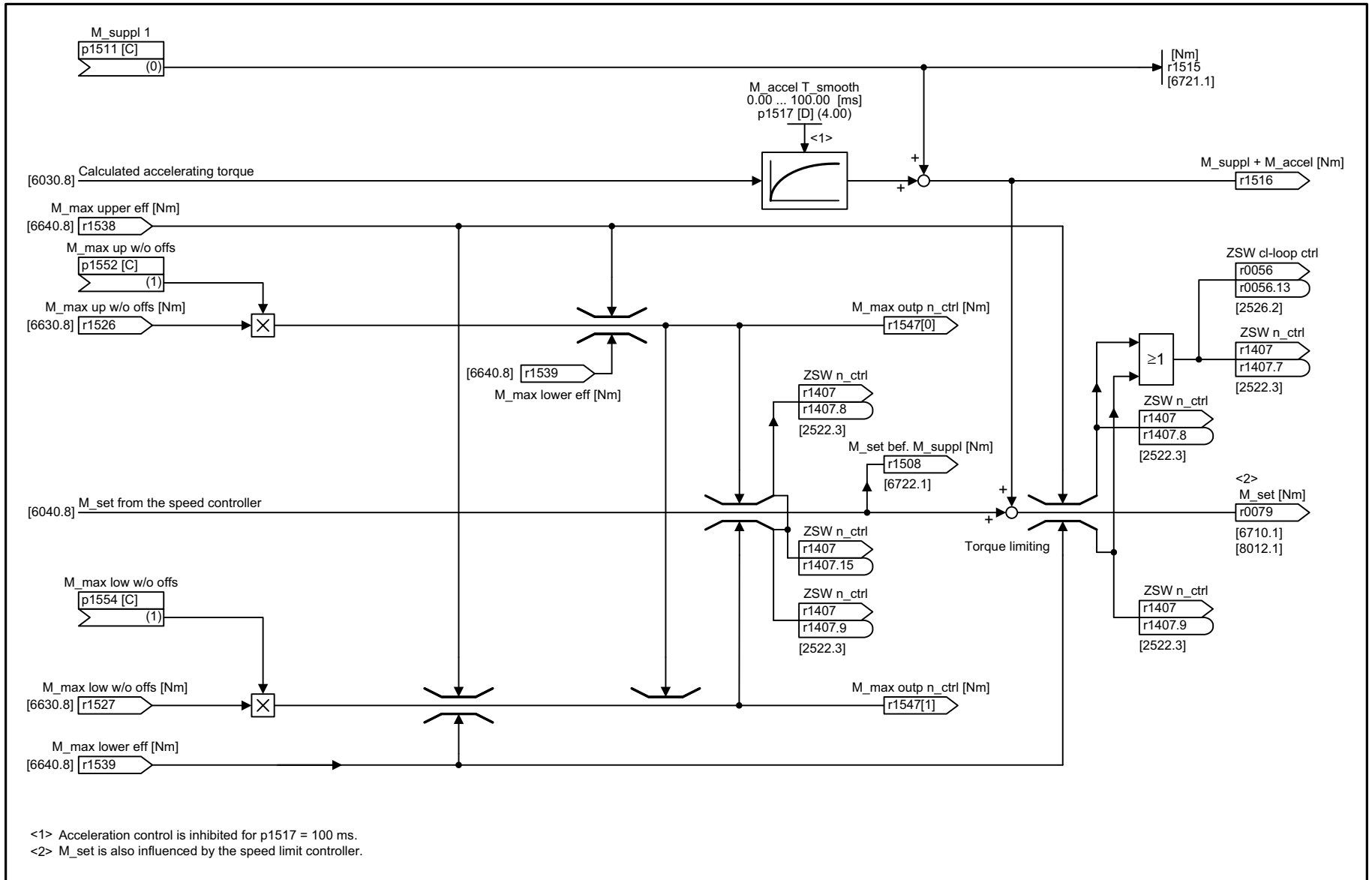


<1> For p1472 = 0.0 s or 100.0 s, the I component is inhibited (integral action time = infinite).

1	2	3	4	5	6	7	8
Vector control					fp_6040_97_05.vsd	Function diagram	
Speed controller					07.04.2014 V4.7	SINAMICS G120C	
- 6040 -							

Fig. 3-73 6040 – Speed controller

Fig. 3-74 6060 – Torque setpoint



1	2	3	4	5	6	7	8
Vector control					fp_6060_97_05.vsd	Function diagram	
Torque setpoint					07.04.2014 V4.7	SINAMICS G120C	
							- 6060 -

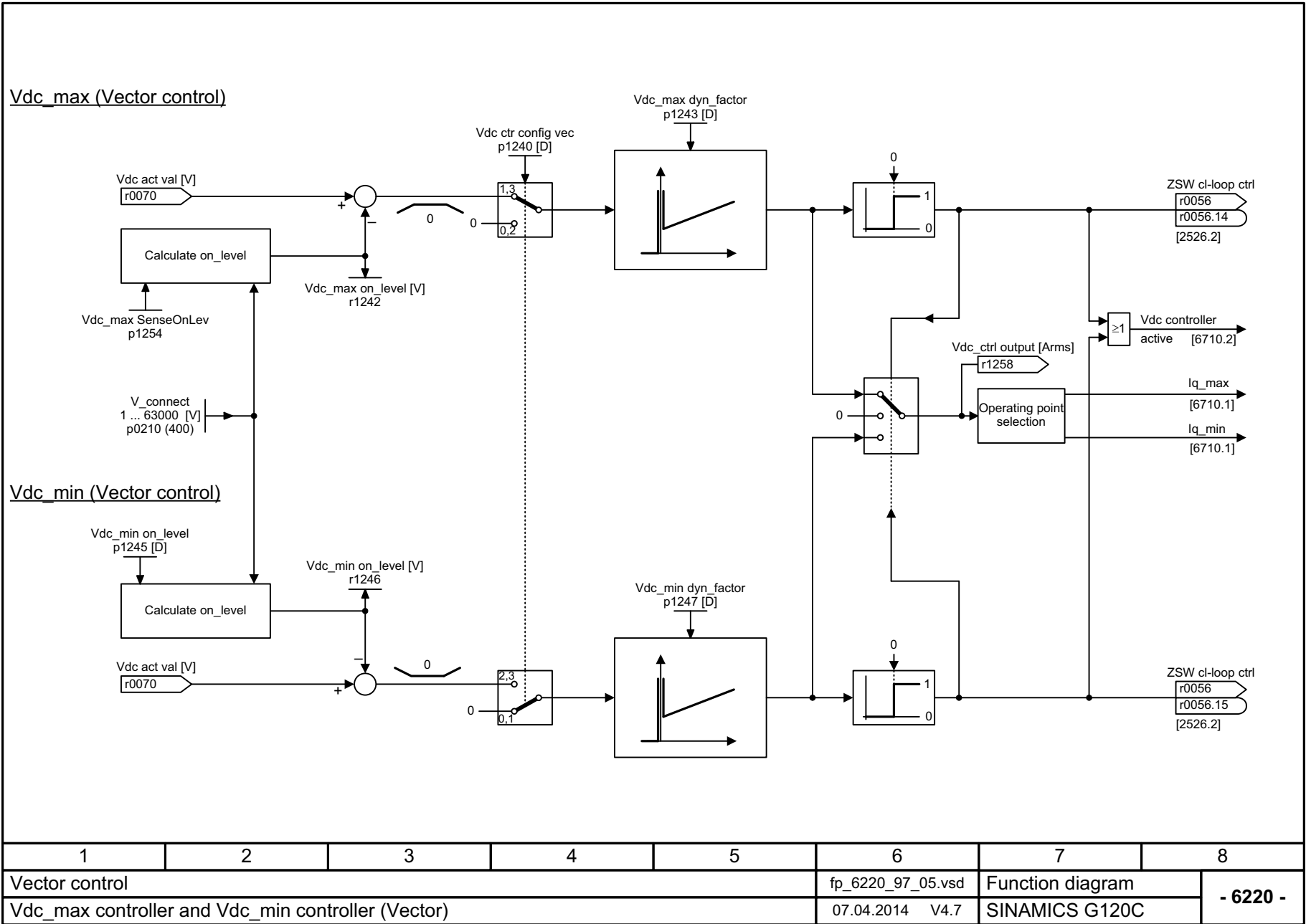
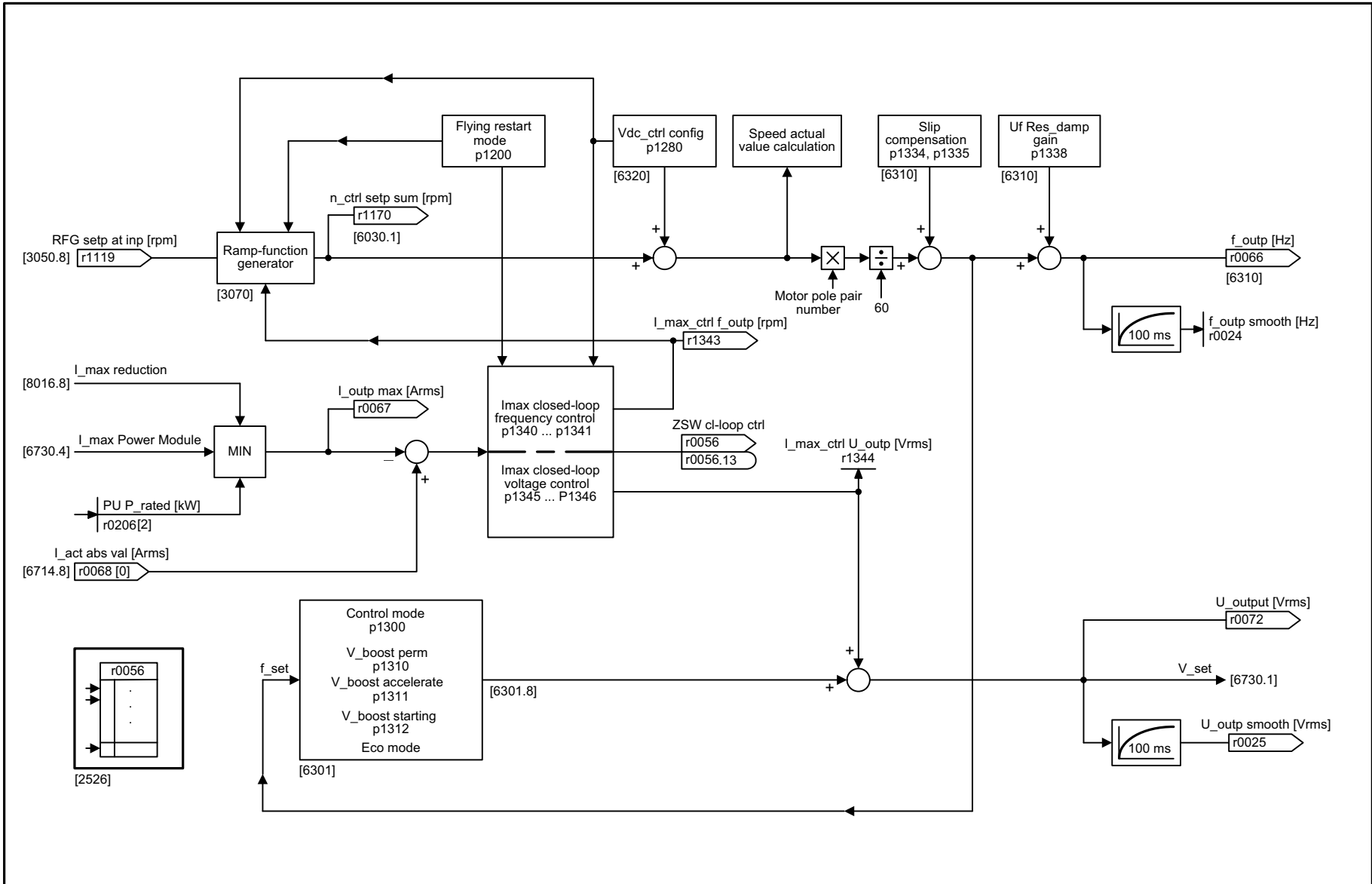


Fig. 3-75 6220 – Vdc_max controller and Vdc_min controller

Fig. 3-76 6300 – U/f control, overview



1	2	3	4	5	6	7	8
Vector control					fp_6300_97_05.vsd	Function diagram	
U/f control, overview					07.04.2014 V4.7	SINAMICS G120C	
							- 6300 -

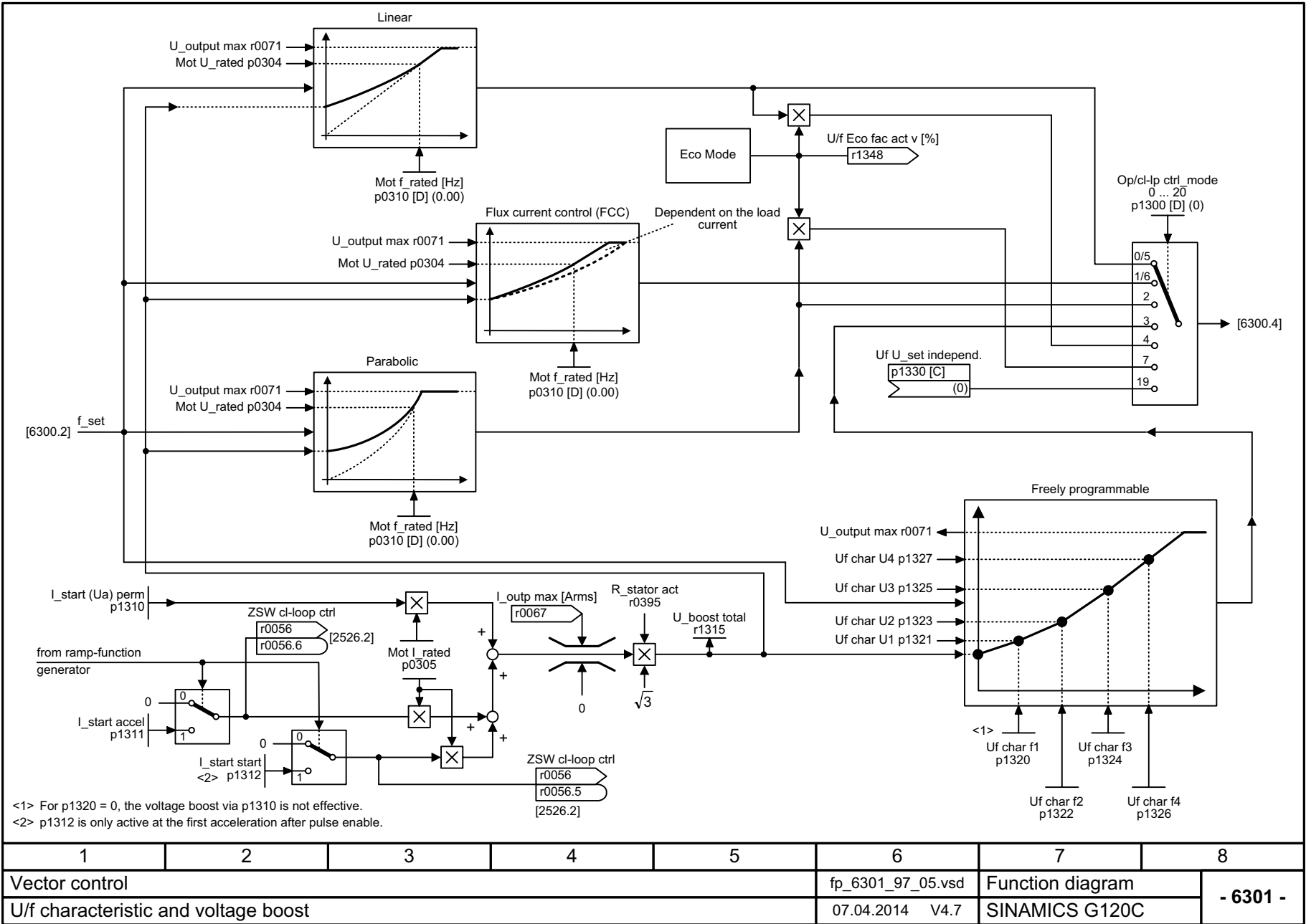
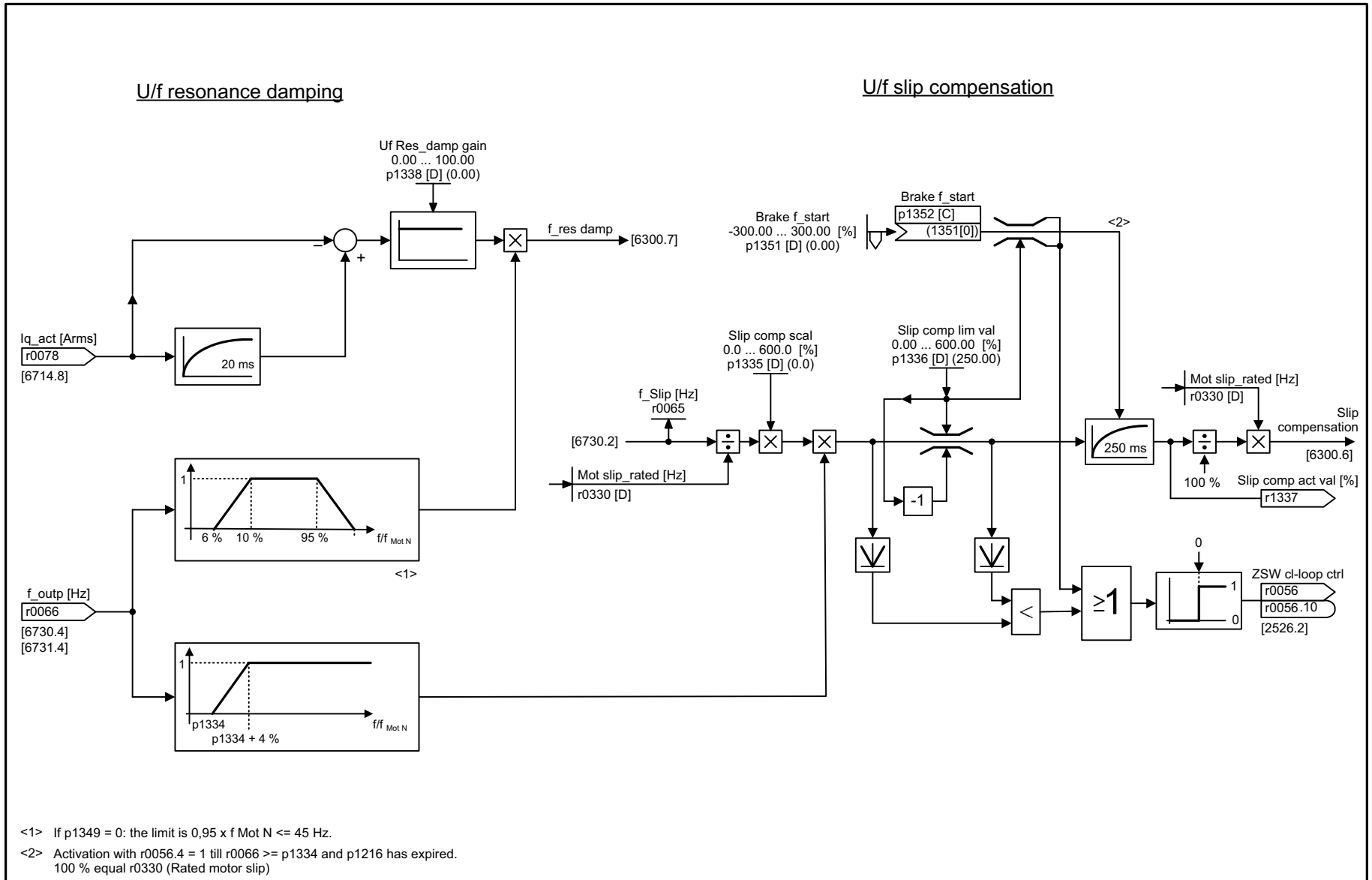


Fig. 3-77 6301 – U/f characteristic and voltage boost

Fig. 3-78 6310 – Resonance damping and slip compensation (U/f)



1	2	3	4	5	6	7	8
Vector control					fp_6310_97_05.vsd	Function diagram	
Resonance damping and slip compensation (U/f)					07.04.2014 V4.7	SINAMICS G120C	
							- 6310 -

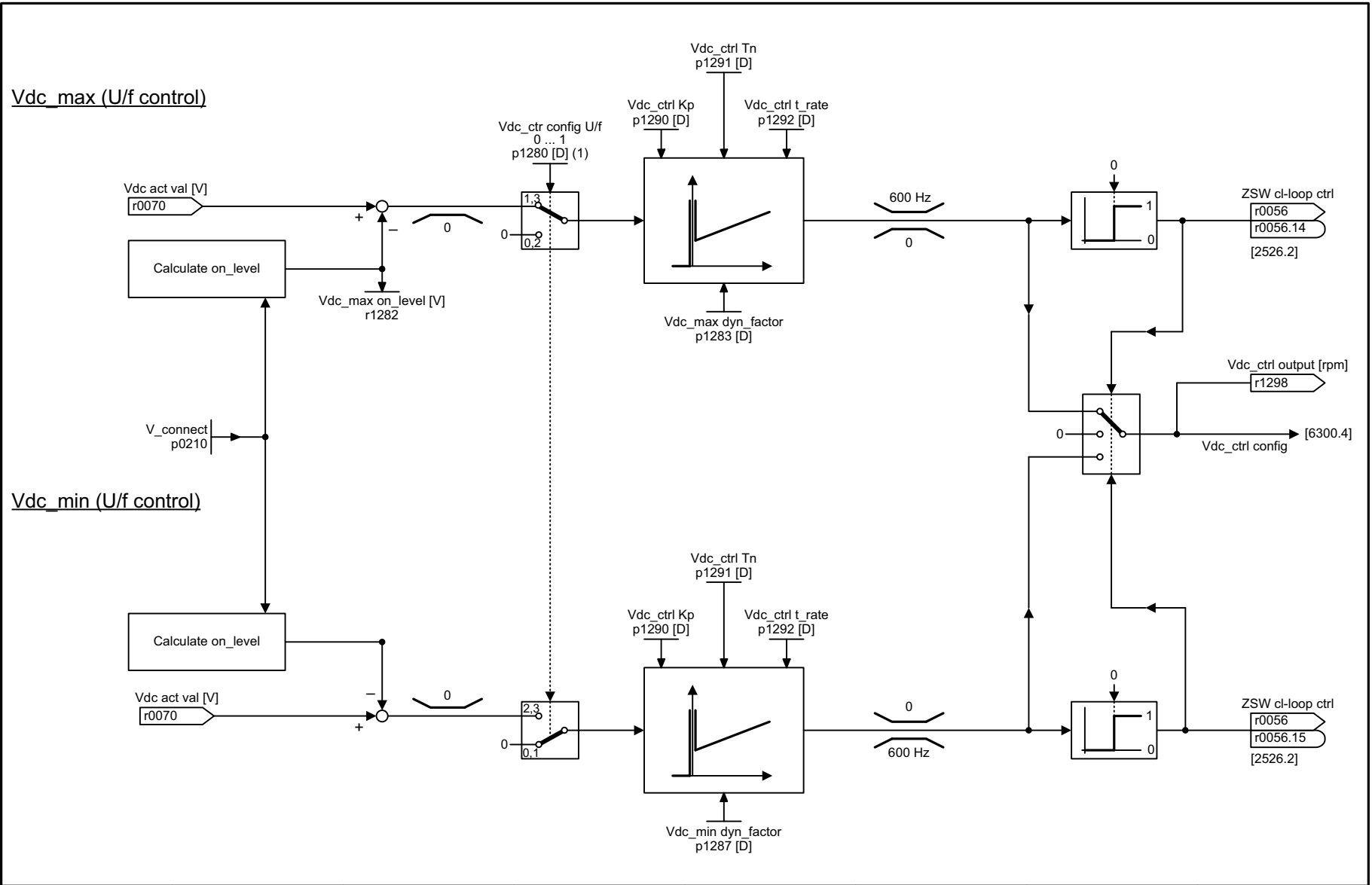
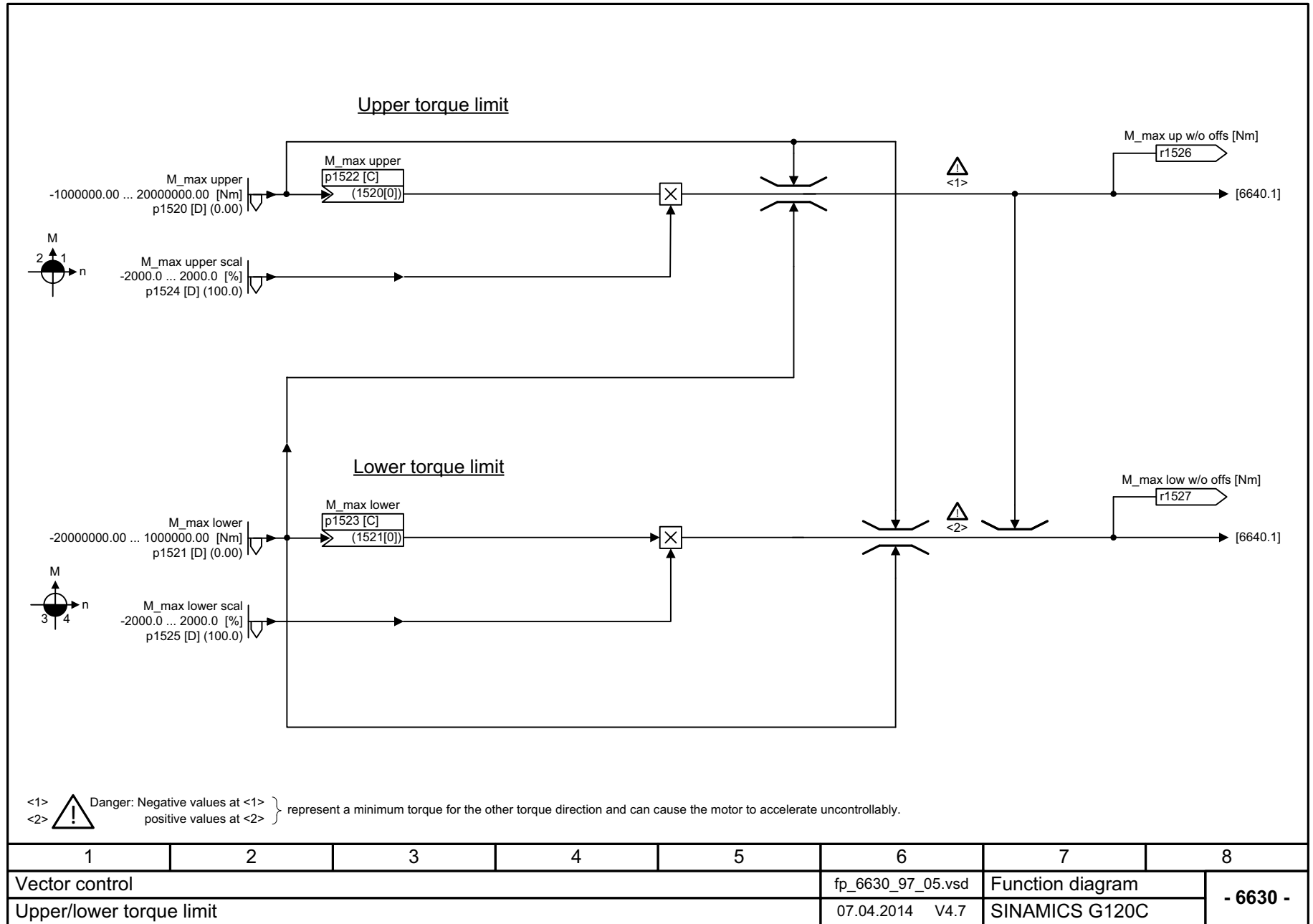


Fig. 3-79 6320 – Vdc_max controller and Vdc_min controller (U/f)

1	2	3	4	5	6	7	8
Vector control					fp_6320_97_05.vsd	Function diagram	
Vdc_max controller and Vdc_min controller (U/f)					07.04.2014 V4.7	SINAMICS G120C	
							- 6320 -

Fig. 3-80 6630 – Upper/lower torque limit



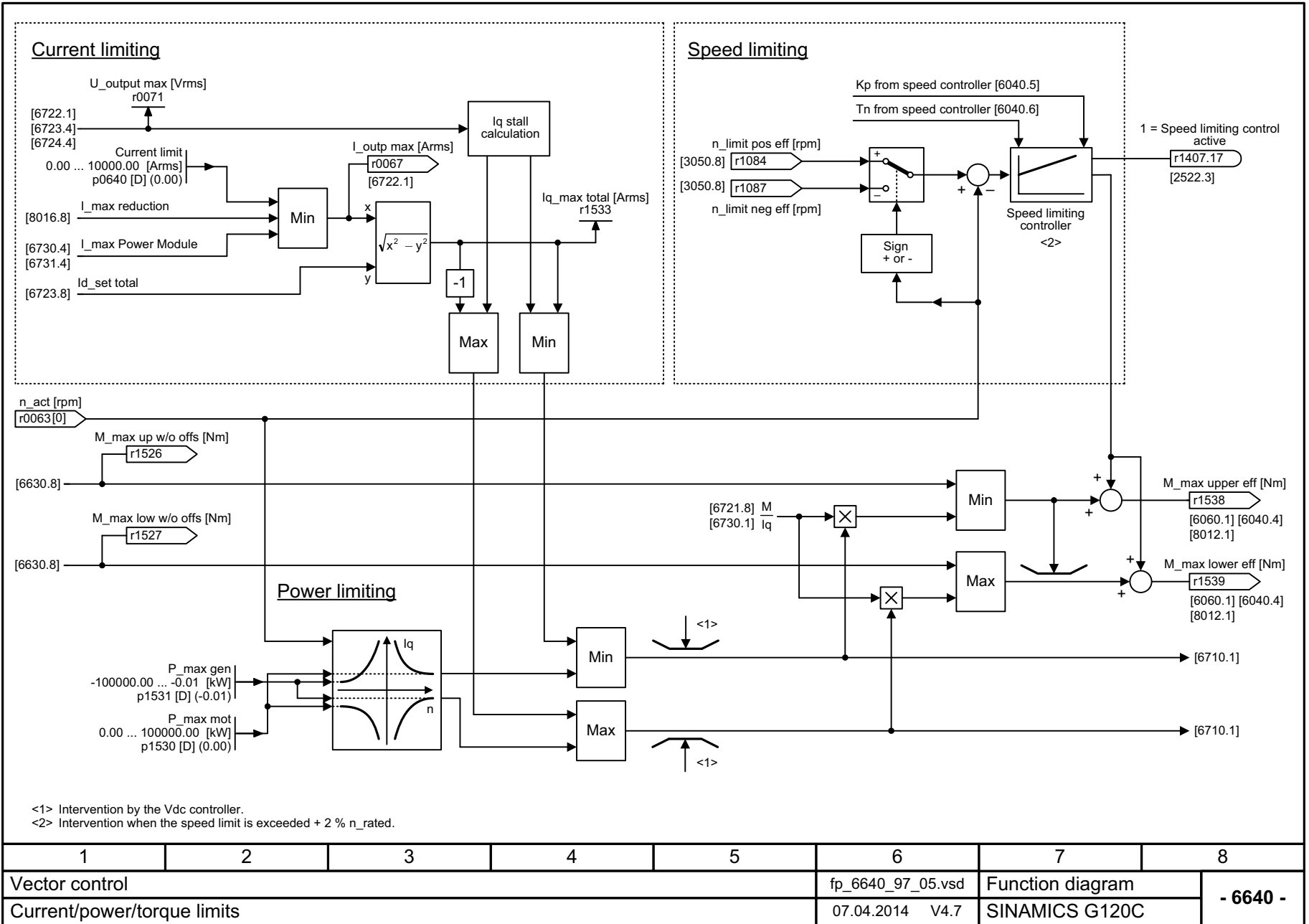
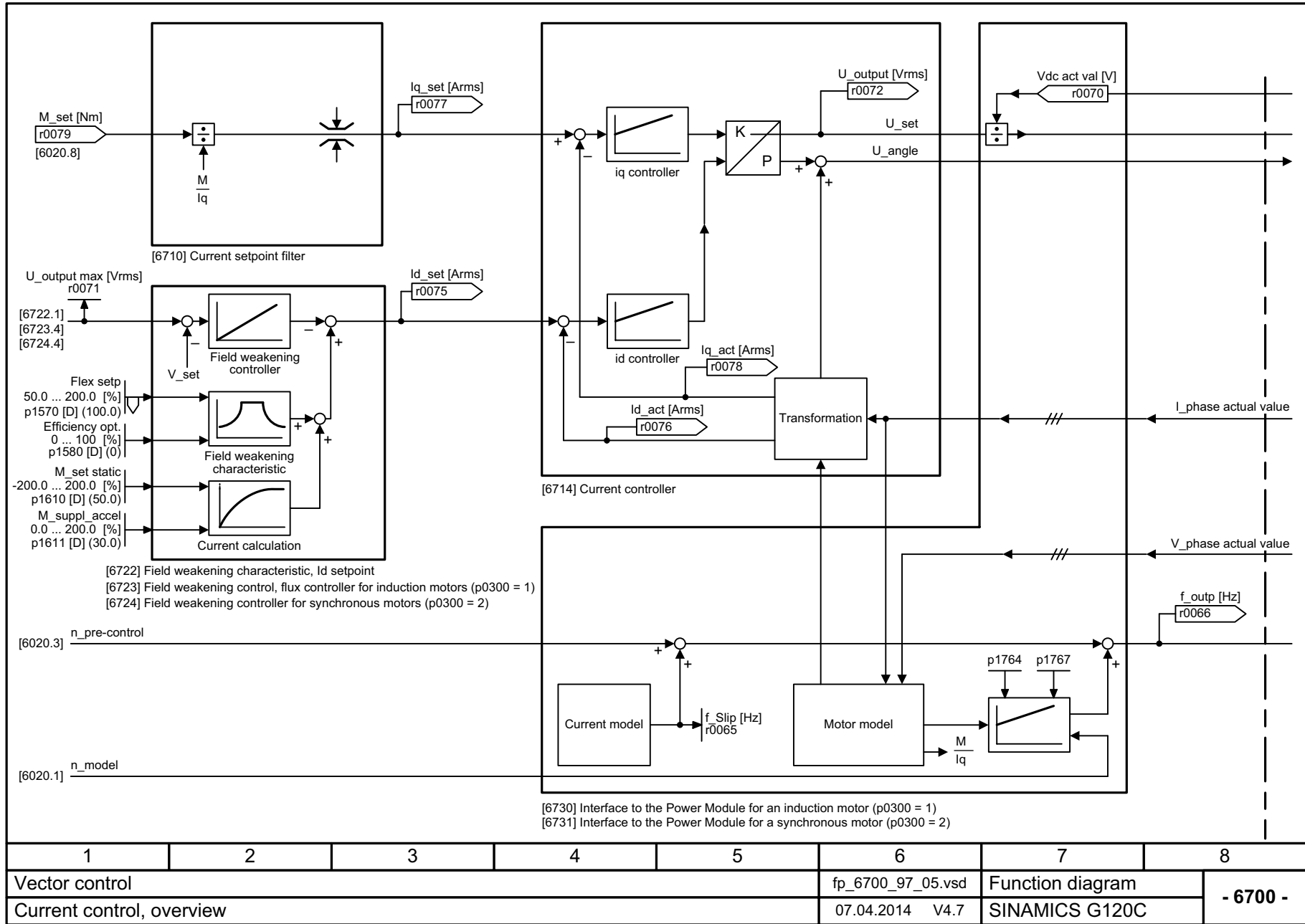


Fig. 3-81 6640 – Current/power/torque limits

1	2	3	4	5	6	7	8
Vector control					fp_6640_97_05.vsd	Function diagram	
Current/power/torque limits					07.04.2014 V4.7	SINAMICS G120C	
							- 6640 -

Fig. 3-82 6700 – Current control, overview



1	2	3	4	5	6	7	8
Vector control					fp_6700_97_05.vsd	Function diagram	
Current control, overview					07.04.2014 V4.7	SINAMICS G120C	
- 6700 -							

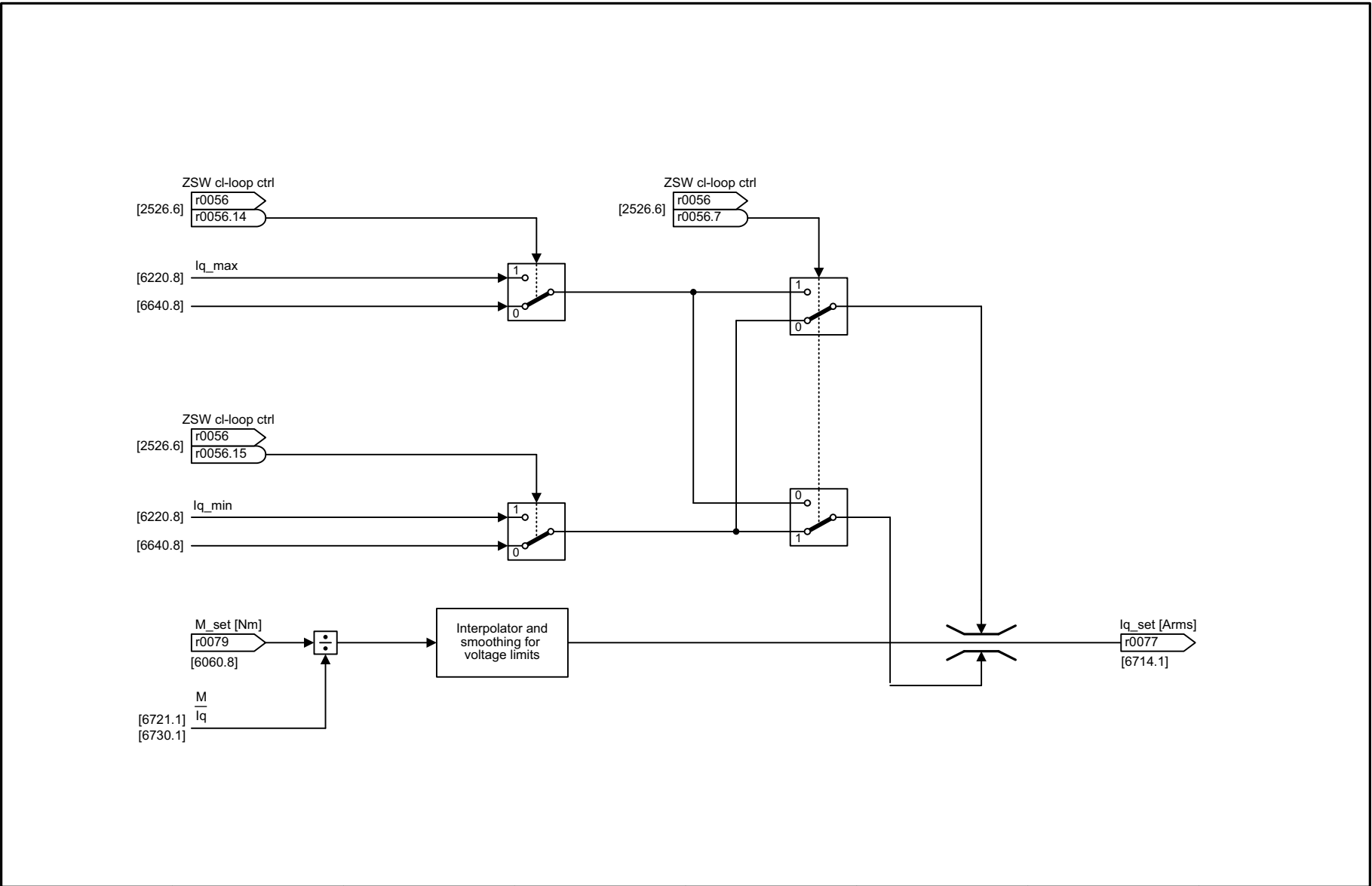


Fig. 3-83 6710 – Current setpoint filter

1	2	3	4	5	6	7	8
Vector control					fp_6710_97_05.vsd	Function diagram	
Current setpoint filter					07.04.2014 V4.7	SINAMICS G120C	
							- 6710 -

Fig. 3-84 6714 – Iq and Id controllers

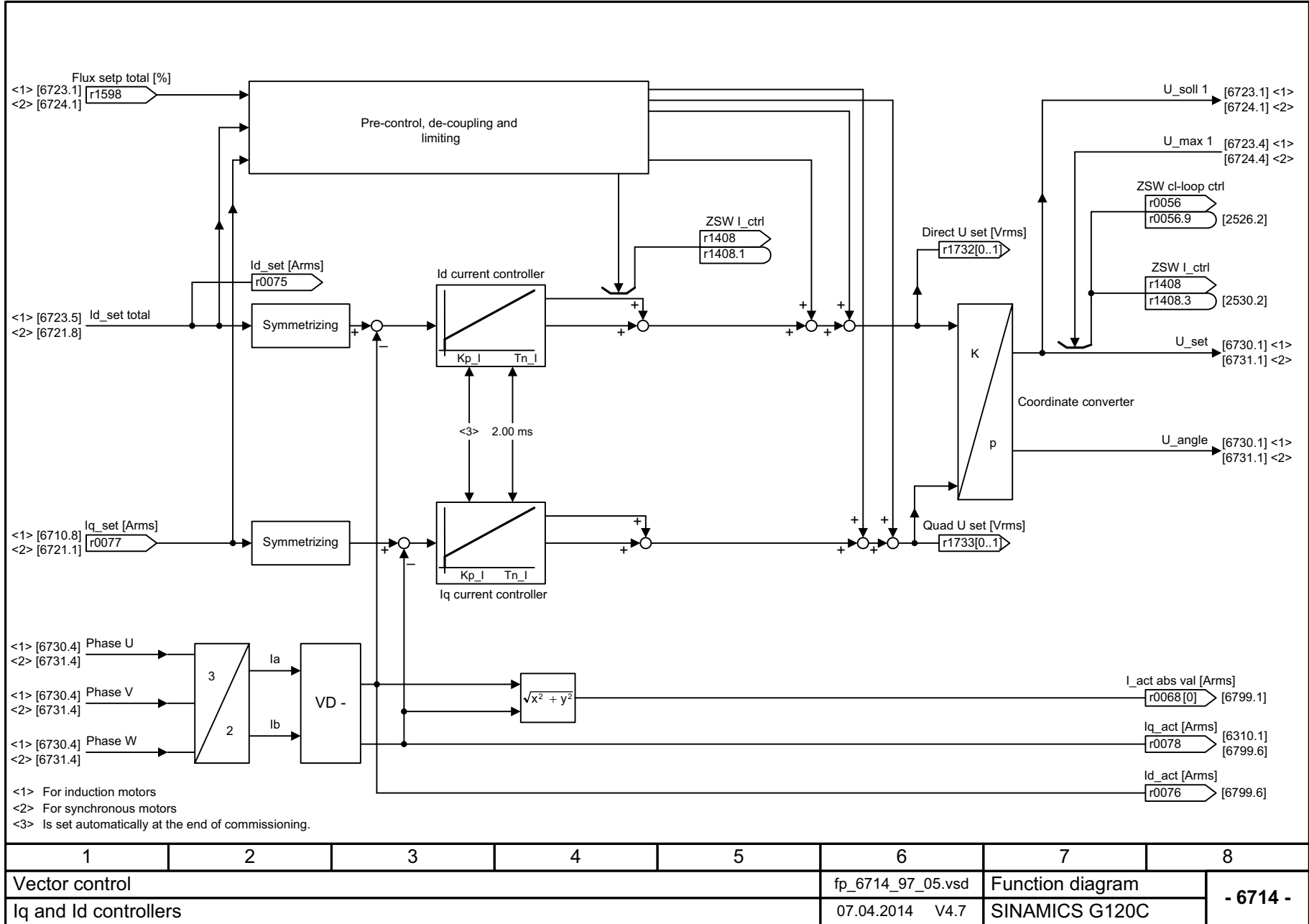
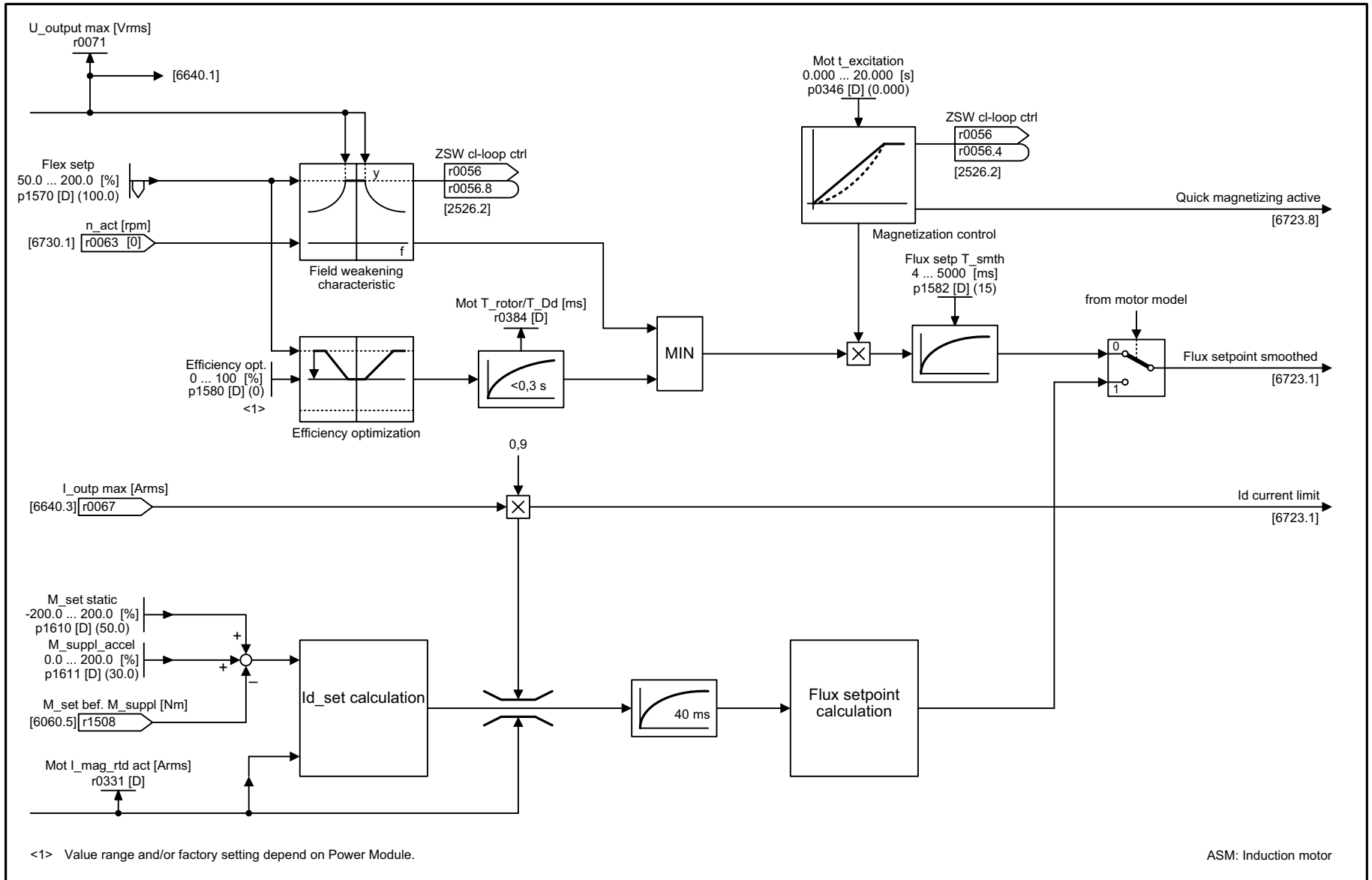
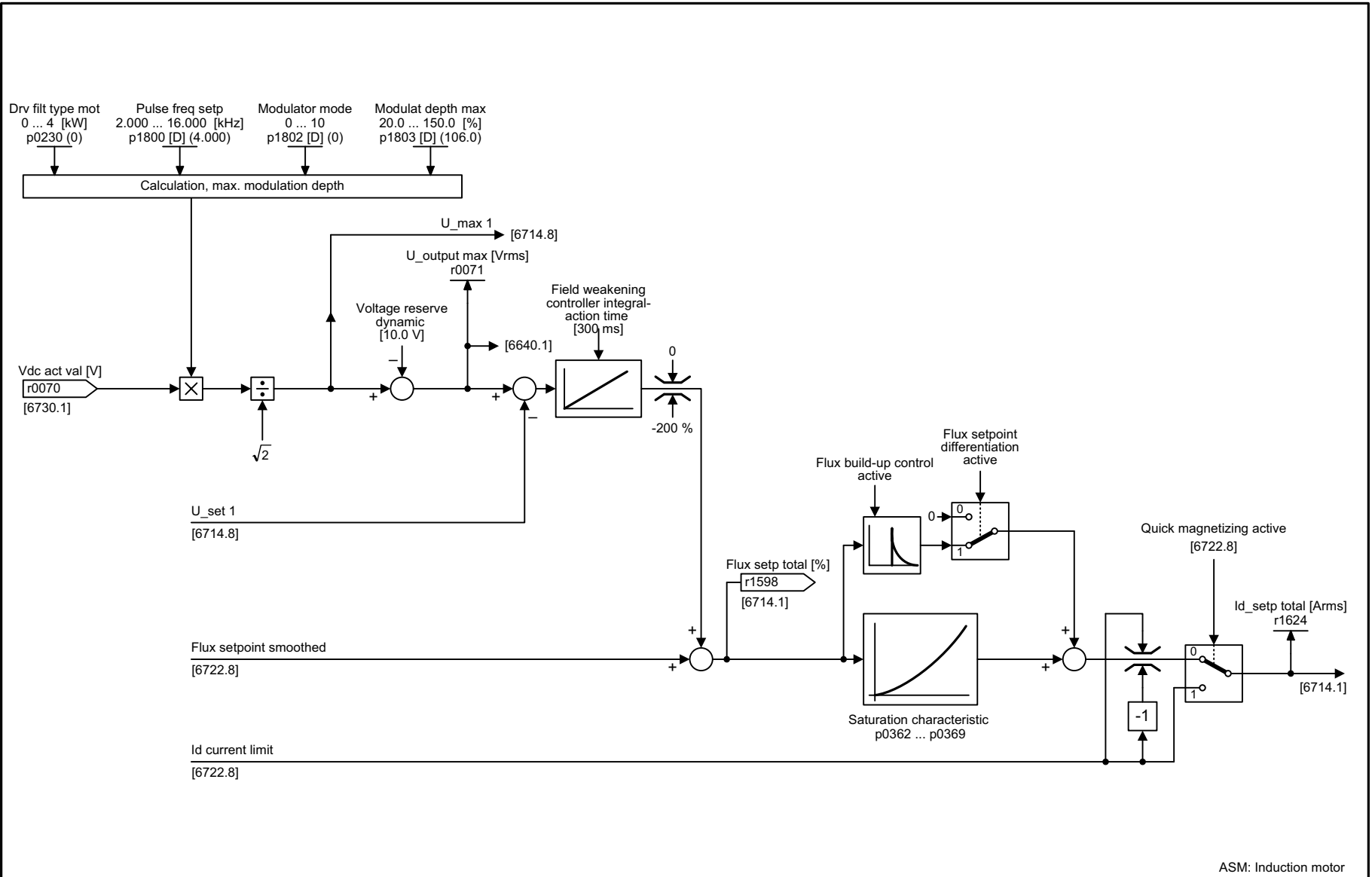


Fig. 3-86 6722 – Field weakening characteristic, Id setpoint (ASM, p0300 = 1)



1	2	3	4	5	6	7	8
Vector control					fp_6722_97_05.vsd	Function diagram	
Field weakening characteristic, Id setpoint (ASM, p0300 = 1)					07.04.2014 V4.7	SINAMICS G120C	
							- 6722 -

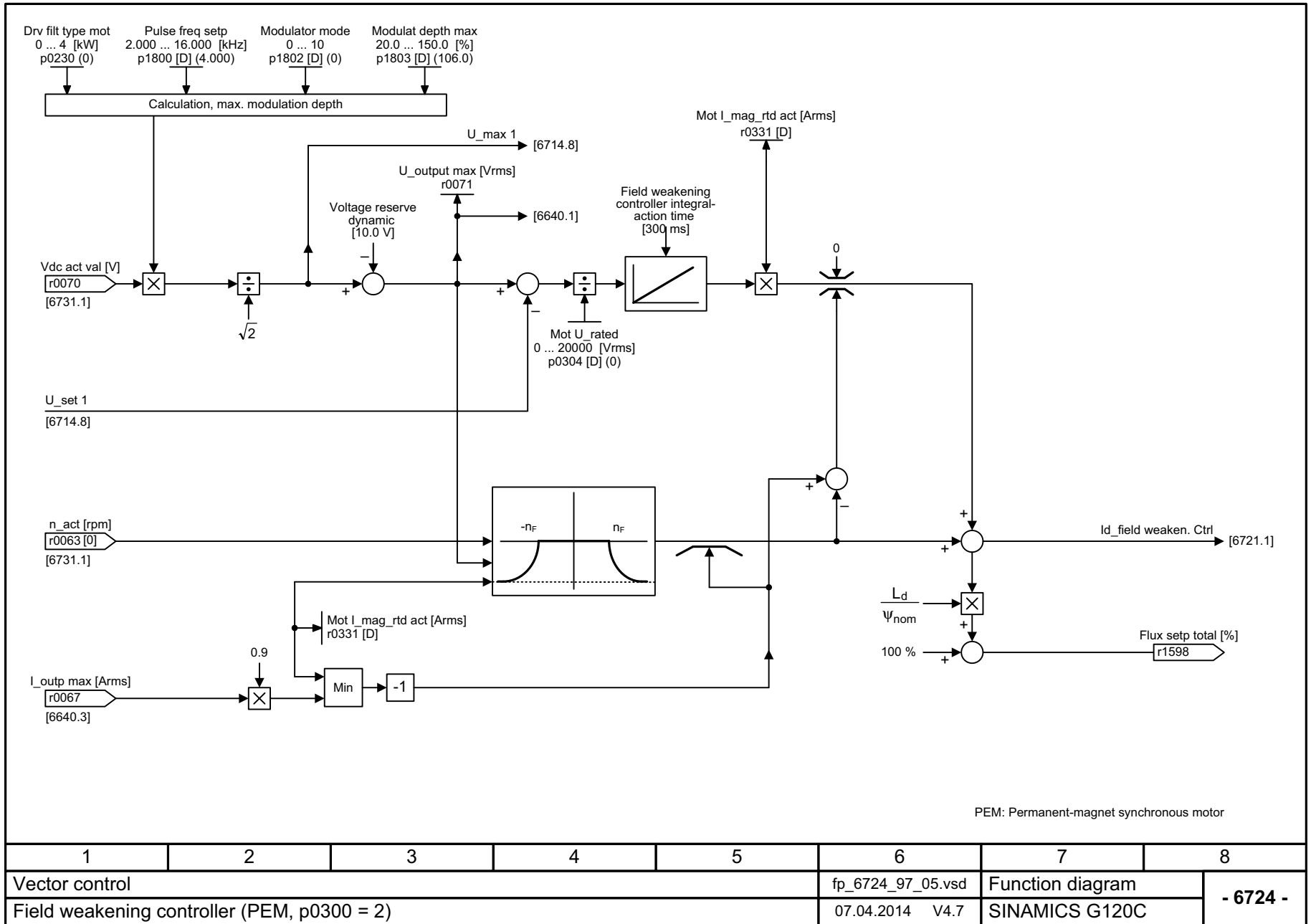


ASM: Induction motor

1	2	3	4	5	6	7	8
Vector control					fp_6723_97_05.vsd	Function diagram	
Field weakening controller, flux controller (ASM, p0300 = 1)					07.04.2014 V4.7	SINAMICS G120C	
							- 6723 -

Fig. 3-87 6723 – Field weakening controller, flux controller (ASM, p0300 = 1)

Fig. 3-88 6724 – Field weakening controller (PEM, p0300 = 2)



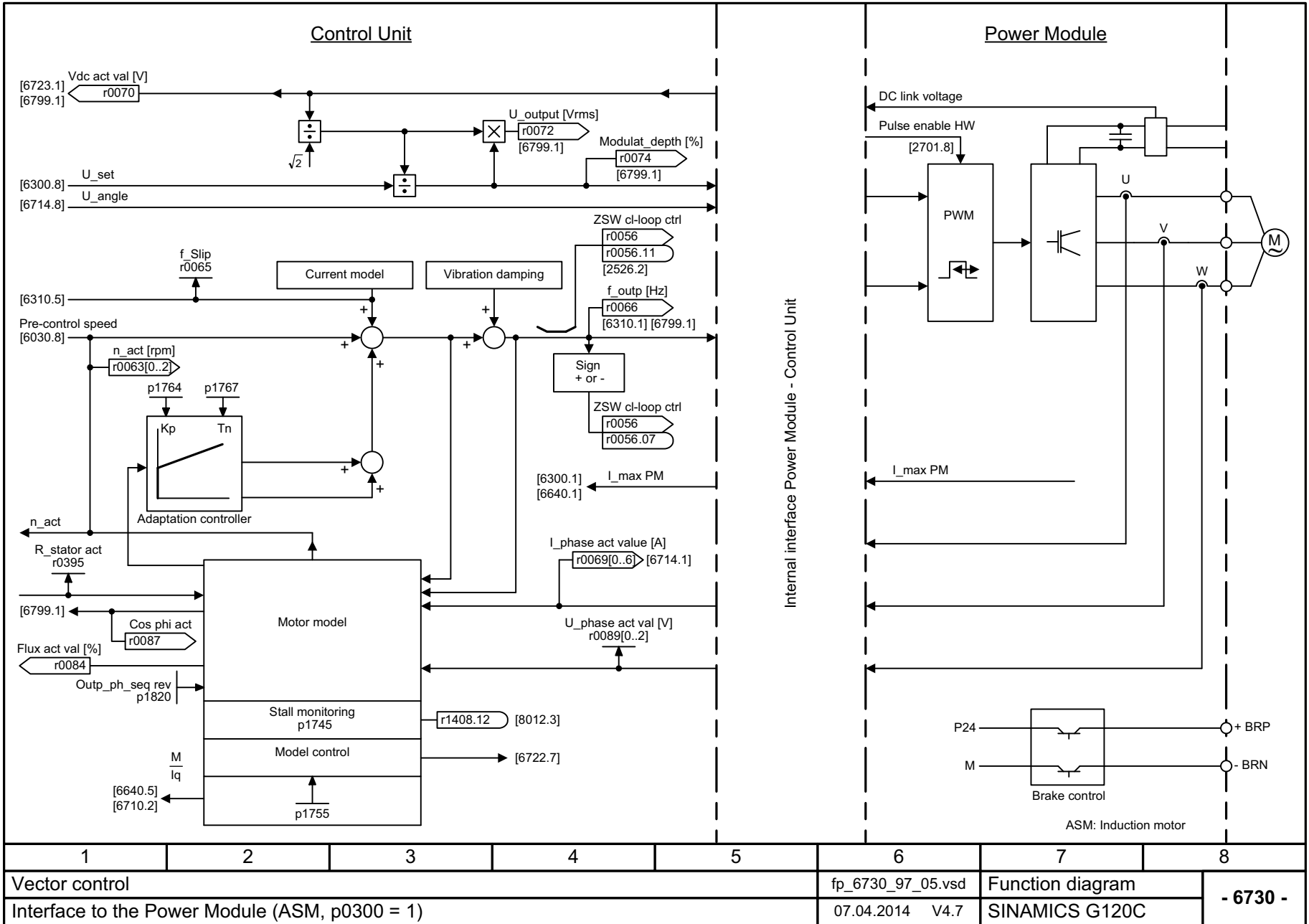
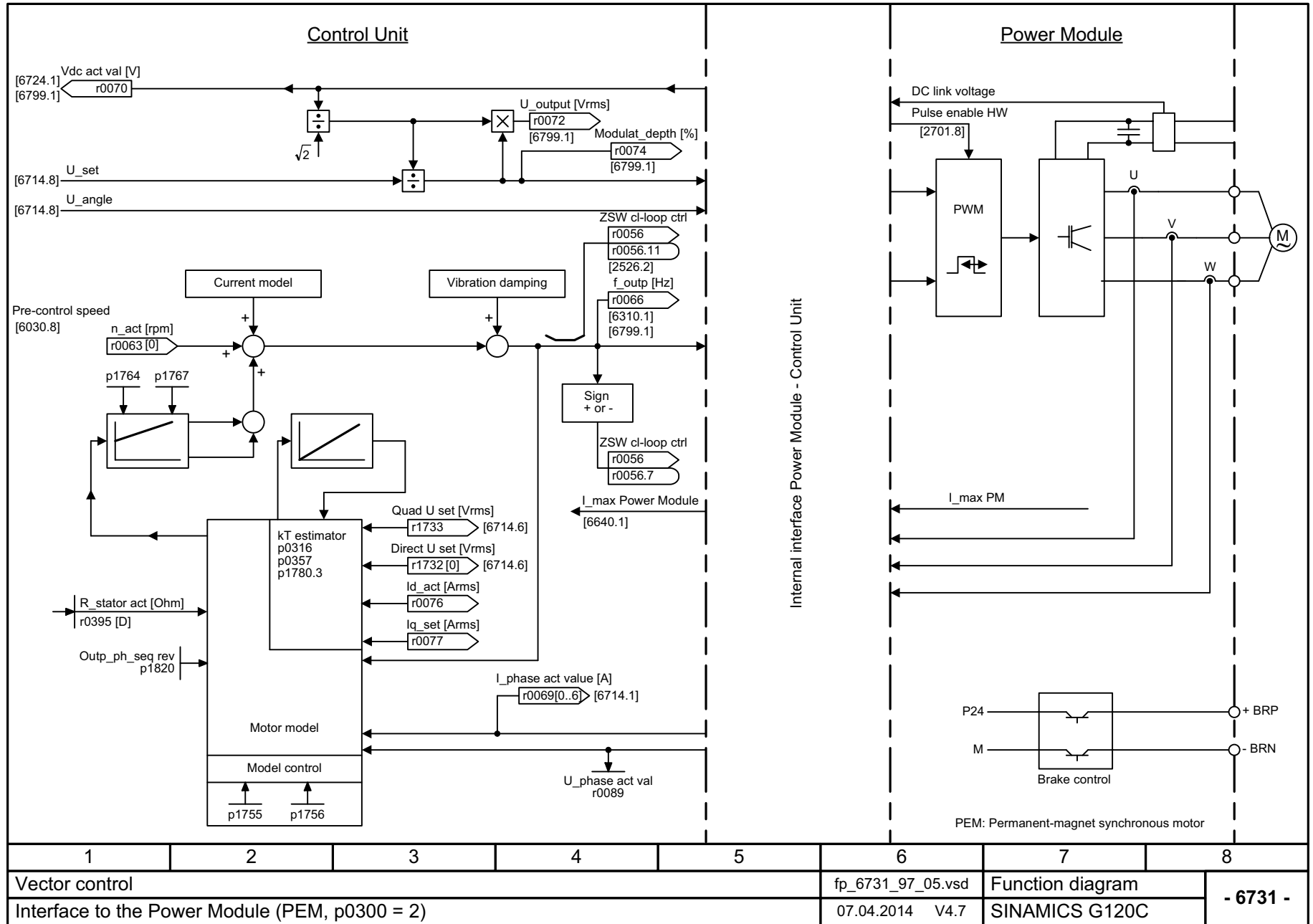
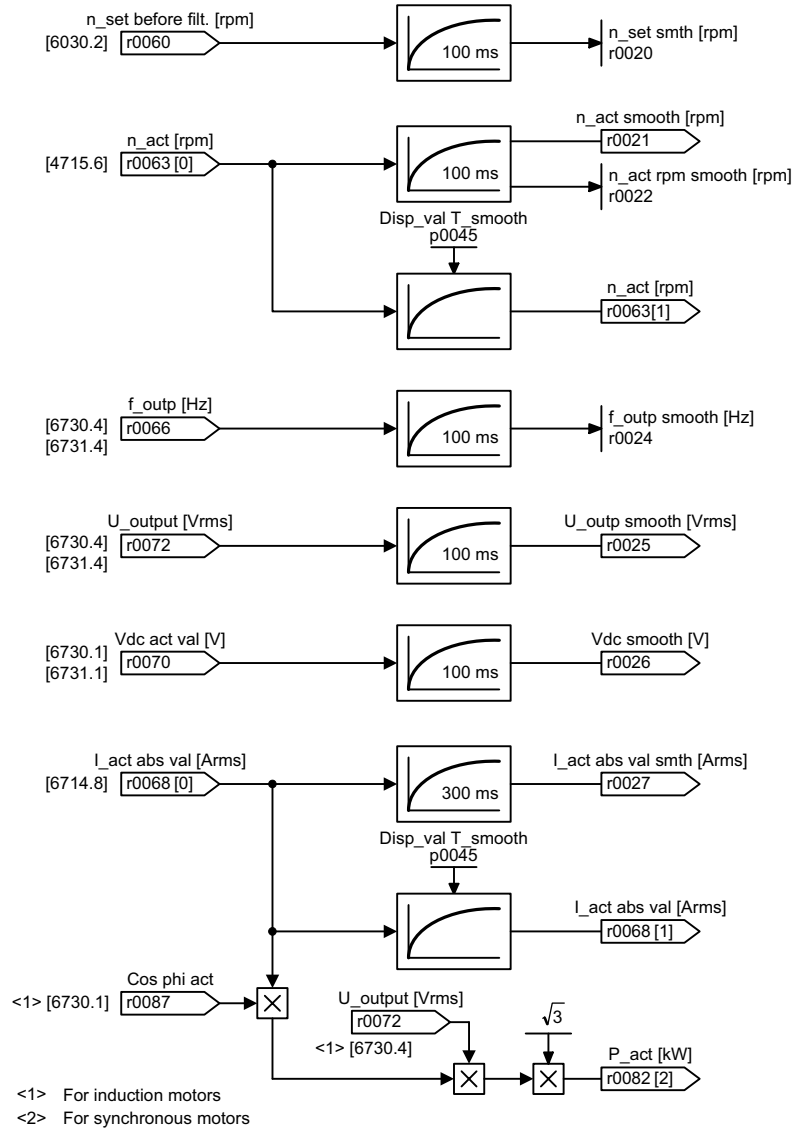
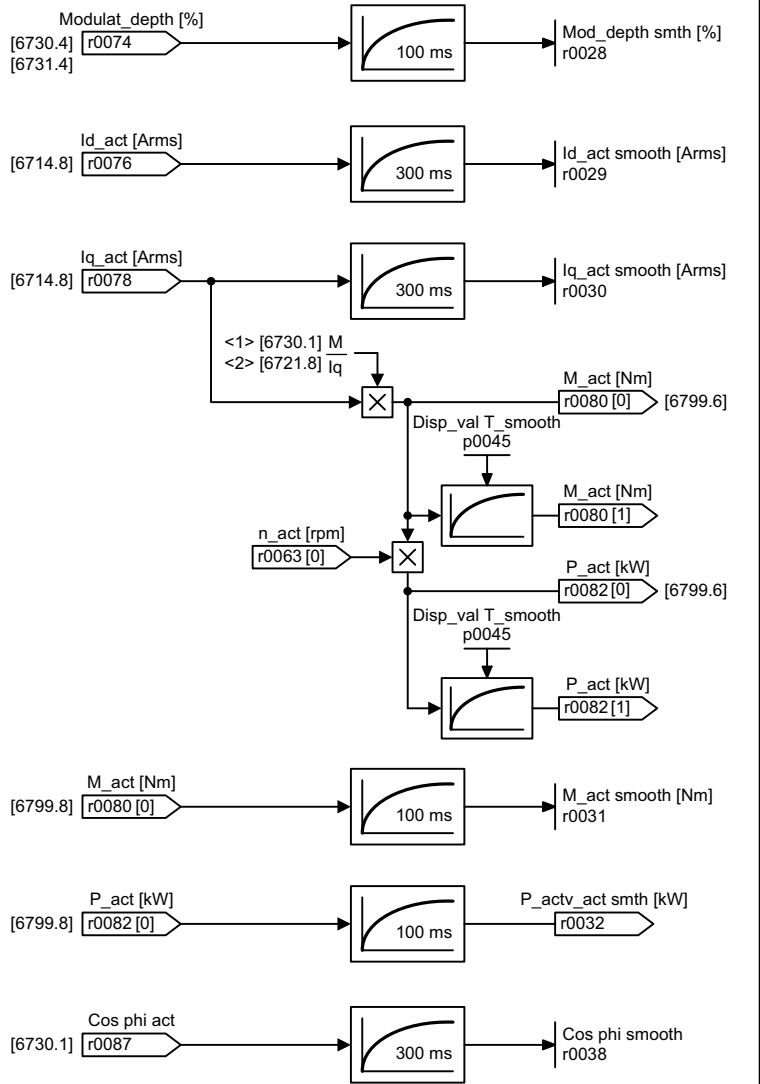


Fig. 3-89 6730 – Interface to the Power Module (ASM, p0300 = 1)

Fig. 3-90 6731 – Interface to the Power Module (PEM, p0300 = 2)





1	2	3	4	5	6	7	8
Vector control					fp_6799_97_66.vsd	Function diagram	
Display signals					07.04.2014 V4.7	SINAMICS G120C	
							- 6799 -

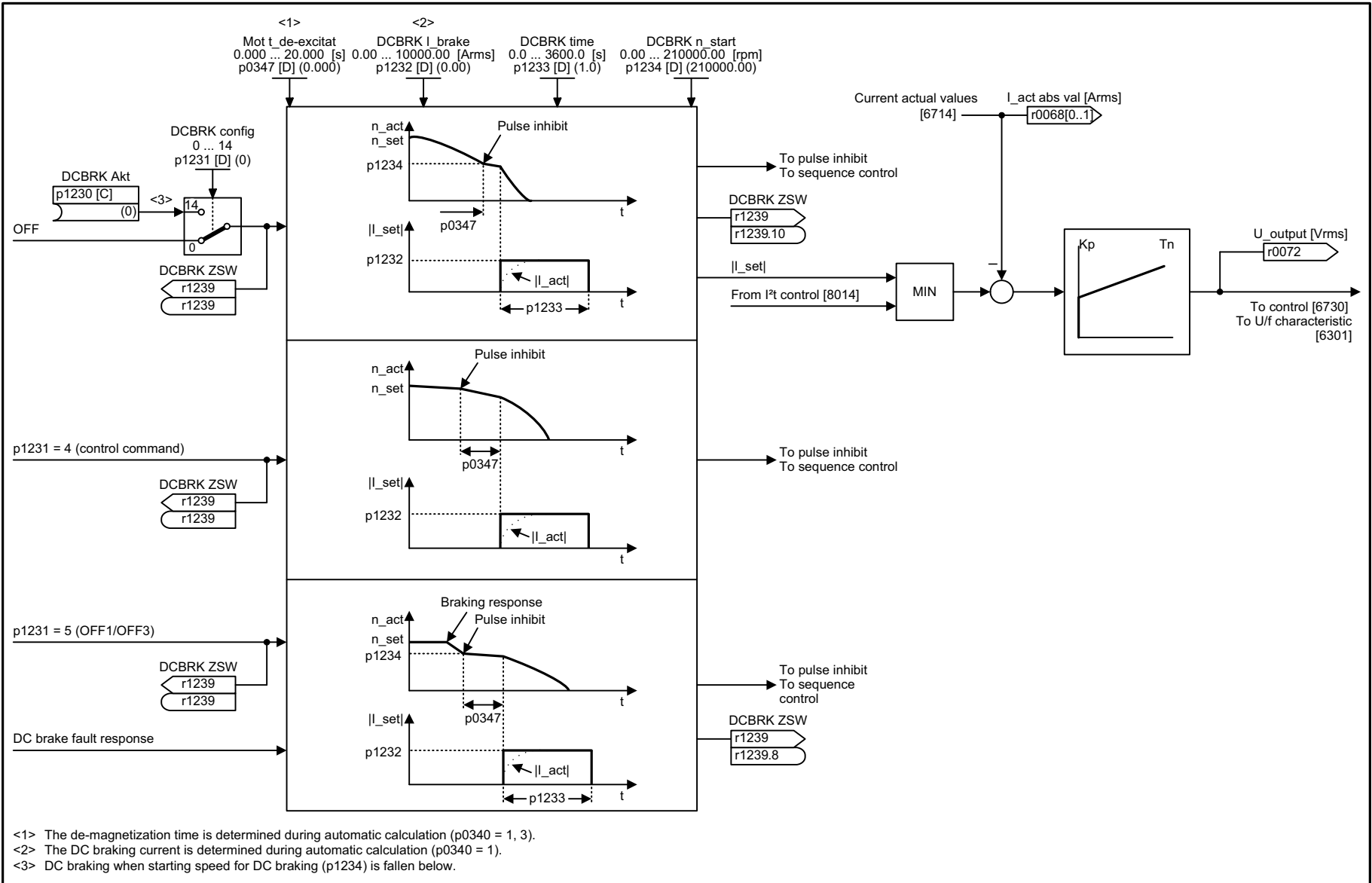
Fig. 3-91 6799 – Display signals

3.14 Technology functions

Function diagrams

7017 – DC brake (p0300 = 1)

426



<1> The de-magnetization time is determined during automatic calculation (p0340 = 1, 3).
 <2> The DC braking current is determined during automatic calculation (p0340 = 1).
 <3> DC braking when starting speed for DC braking (p1234) is fallen below.

1	2	3	4	5	6	7	8
Technology functions					fp_7017_97_05.vsd	Function diagram	
DC brake (p0300 = 1)					07.04.2014 V4.7	SINAMICS G120C	

Fig. 3-92 7017 – DC brake (p0300 = 1)

3.15 Technology controller

Function diagrams

7950 – Fixed value selection binary (p2216 = 2)	428
7951 – Fixed value selection direct (p2216 = 1)	429
7954 – Motorized potentiometer	430
7958 – Closed-loop control	431

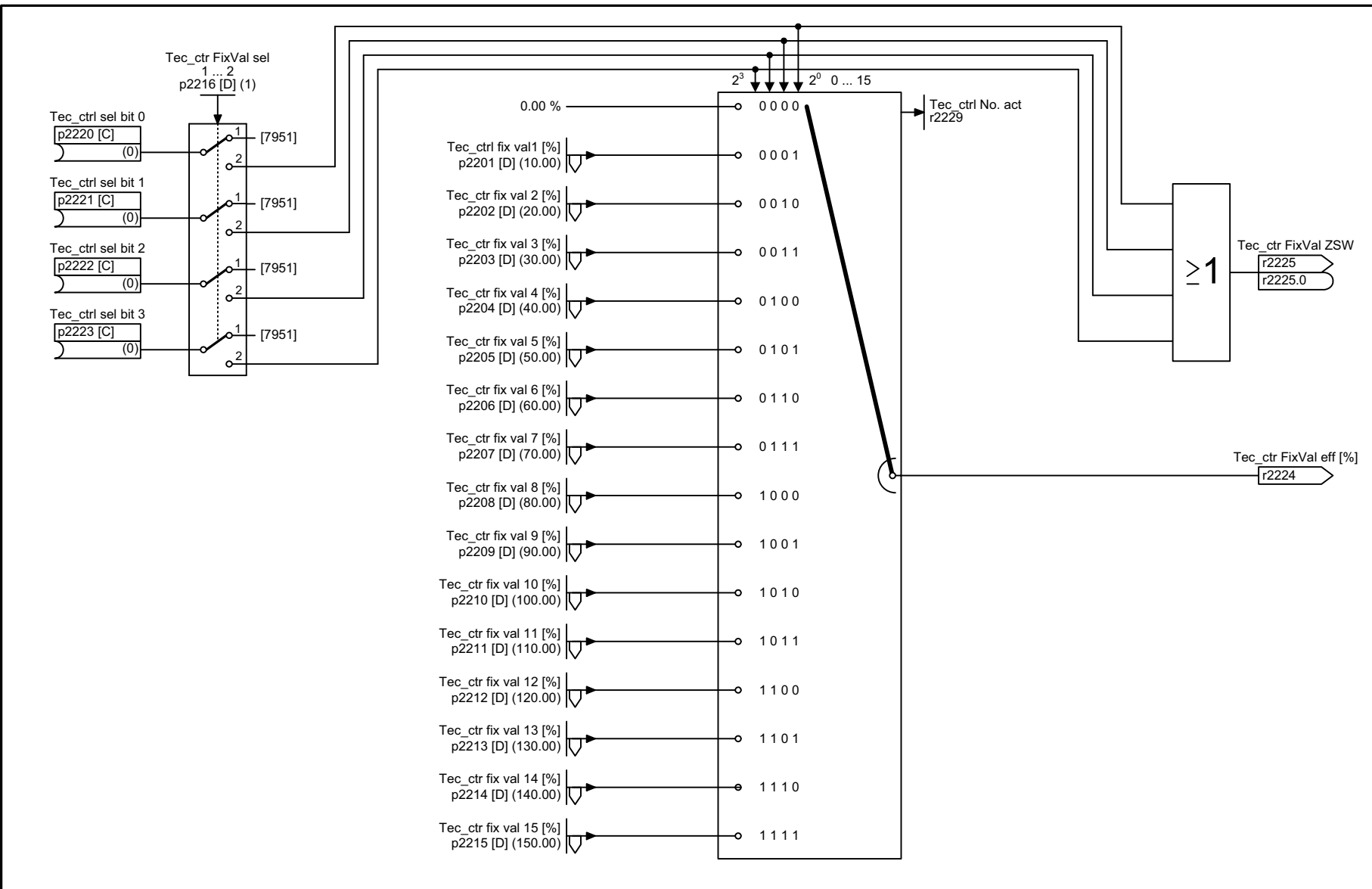
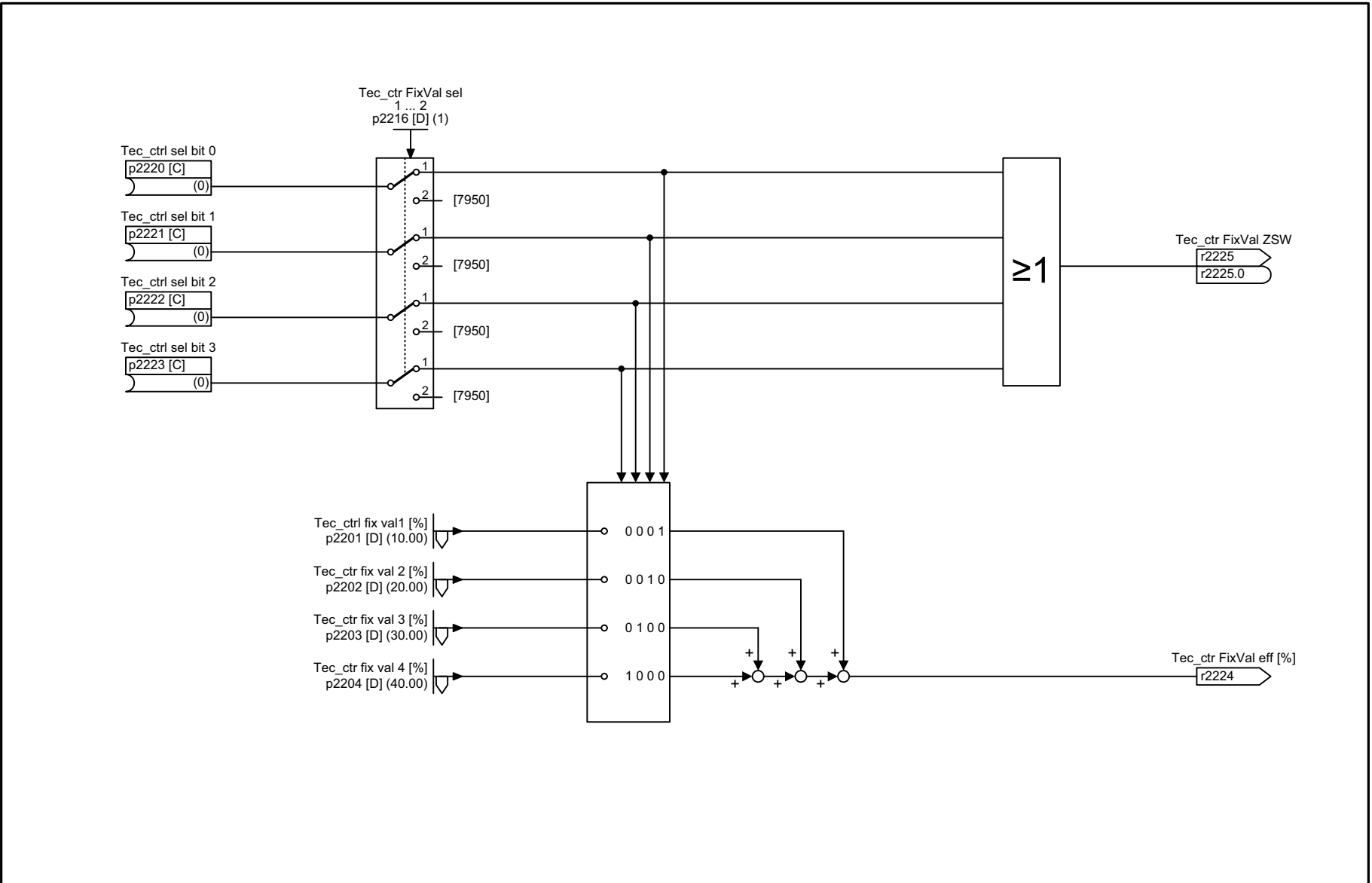


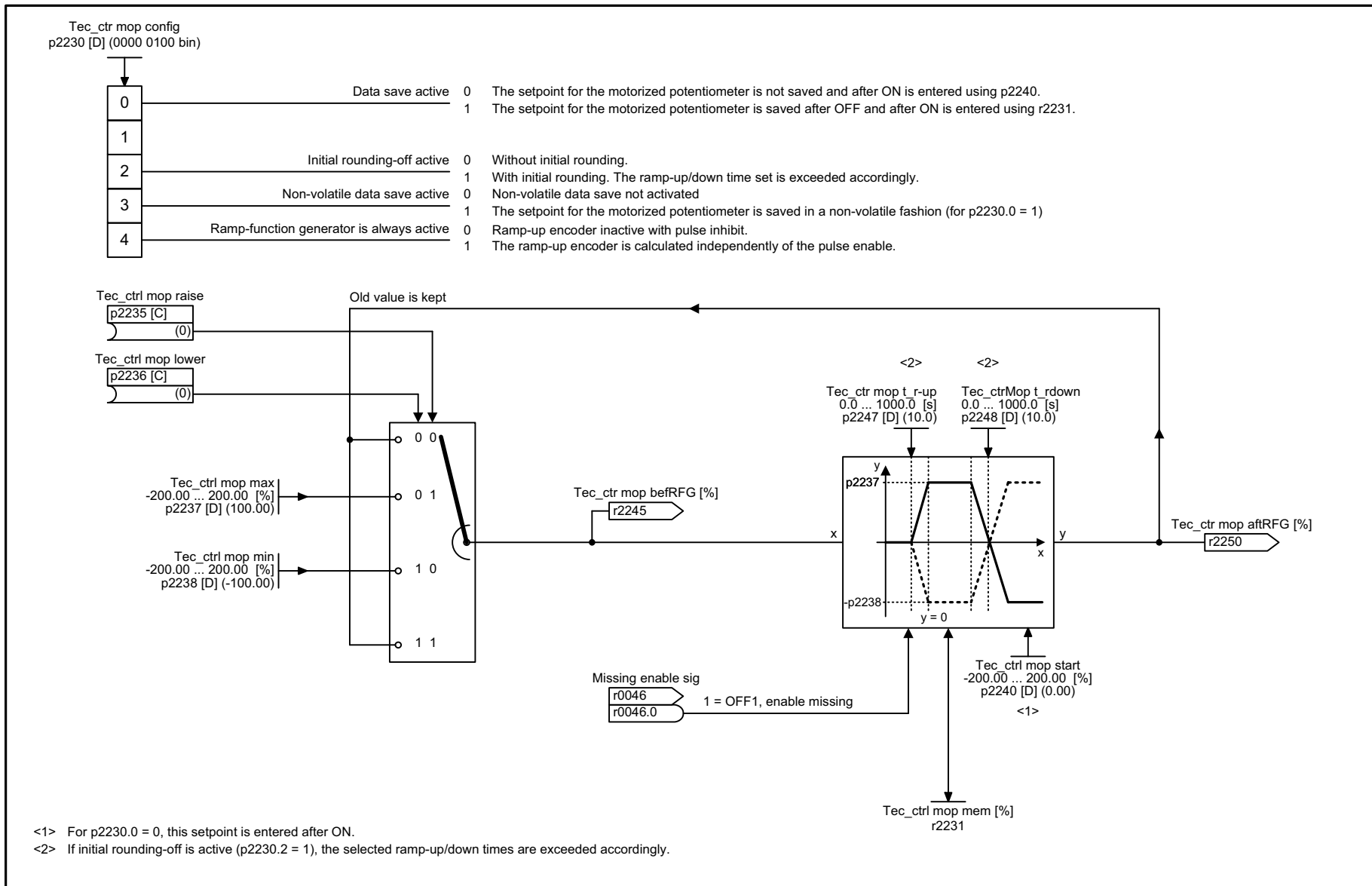
Fig. 3-93 7950 – Fixed value selection binary (p2216 = 2)

1	2	3	4	5	6	7	8
Technology controller					fp_7950_97_05.vsd	Function diagram	
Fixed value selection binary (p2216 = 2)					07.04.2014 V4.7	SINAMICS G120C	
							- 7950 -



1	2	3	4	5	6	7	8
Technology controller					fp_7951_97_05.vsd	Function diagram	
Fixed value selection direct (p2216 = 1)					07.04.2014 V4.7	SINAMICS G120C	
							- 7951 -

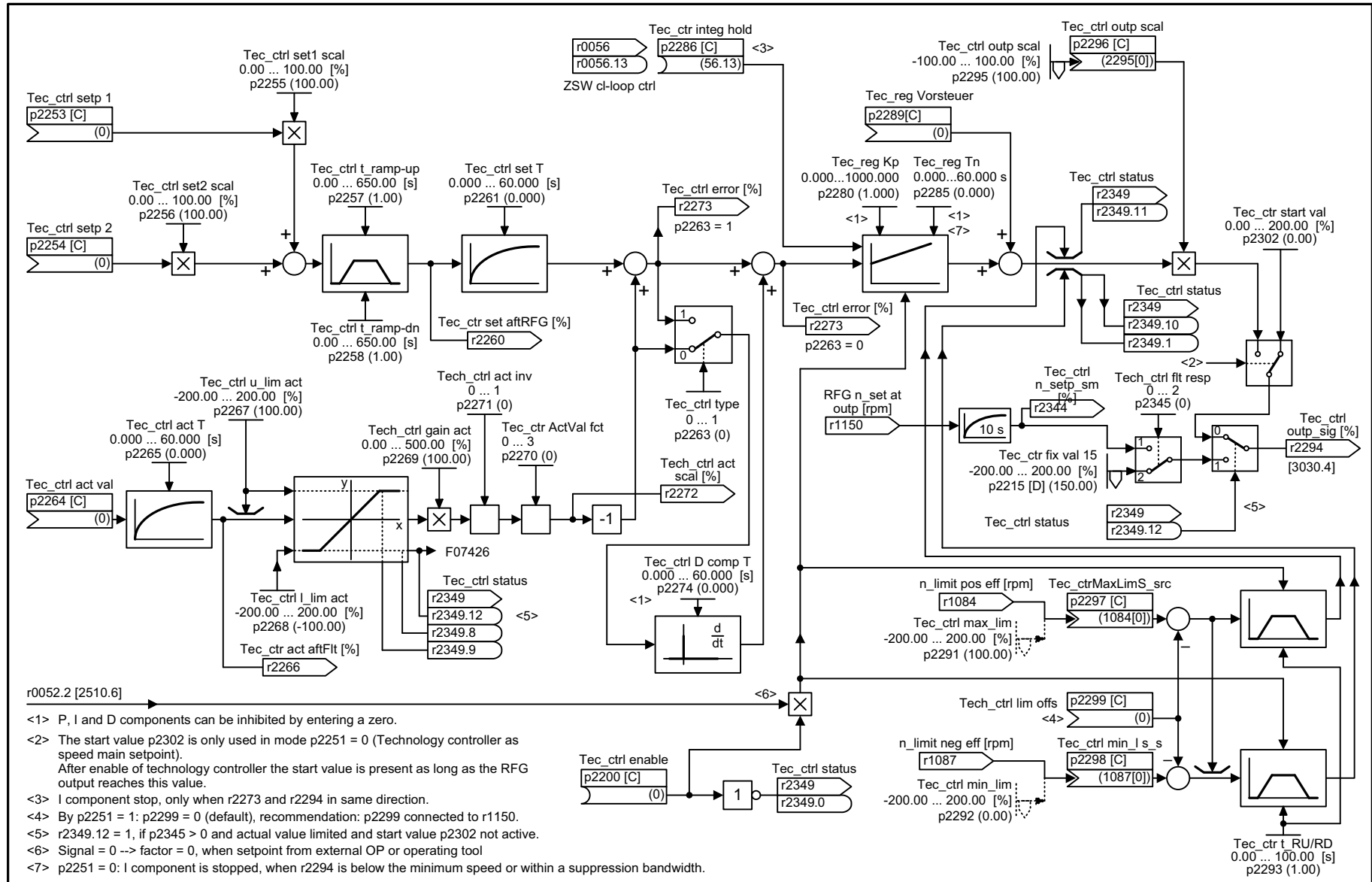
Fig. 3-94 7951 – Fixed value selection direct (p2216 = 1)



1	2	3	4	5	6	7	8
Technology controller					fp_7954_97_61.vsd	Function diagram	
Motorized potentiometer					07.04.2014 V4.7	SINAMICS G120C	
							- 7954 -

Fig. 3-95 7954 – Motorized potentiometer

Fig. 3-96 7958 – Closed-loop control



- <1> P, I and D components can be inhibited by entering a zero.
- <2> The start value p2302 is only used in mode p2251 = 0 (Technology controller as speed main setpoint). After enable of technology controller the start value is present as long as the RFG output reaches this value.
- <3> I component stop, only when r2273 and r2294 in same direction.
- <4> By p2251 = 1: p2299 = 0 (default), recommendation: p2299 connected to r1150.
- <5> r2349.12 = 1, if p2345 > 0 and actual value limited and start value p2302 not active.
- <6> Signal = 0 --> factor = 0, when setpoint from external OP or operating tool
- <7> p2251 = 0: I component is stopped, when r2294 is below the minimum speed or within a suppression bandwidth.

1	2	3	4	5	6	7	8
Technology controller					fp_7958_97_05.vsd	Function diagram	
Closed-loop control					07.04.2014 V4.7	SINAMICS G120C	
							- 7958 -

3.16 Signals and monitoring functions

Function diagrams

8005 – Overview	433
8010 – Speed signals 1	434
8011 – Speed signals 2	435
8012 – Torque signals, motor blocked/stalled	436
8014 – Thermal monitoring, power unit	437
8016 – Thermal monitoring, motor	438
8017 – Thermal motor models	439
8020 – Monitoring functions 1	440
8021 – Monitoring functions 2	441

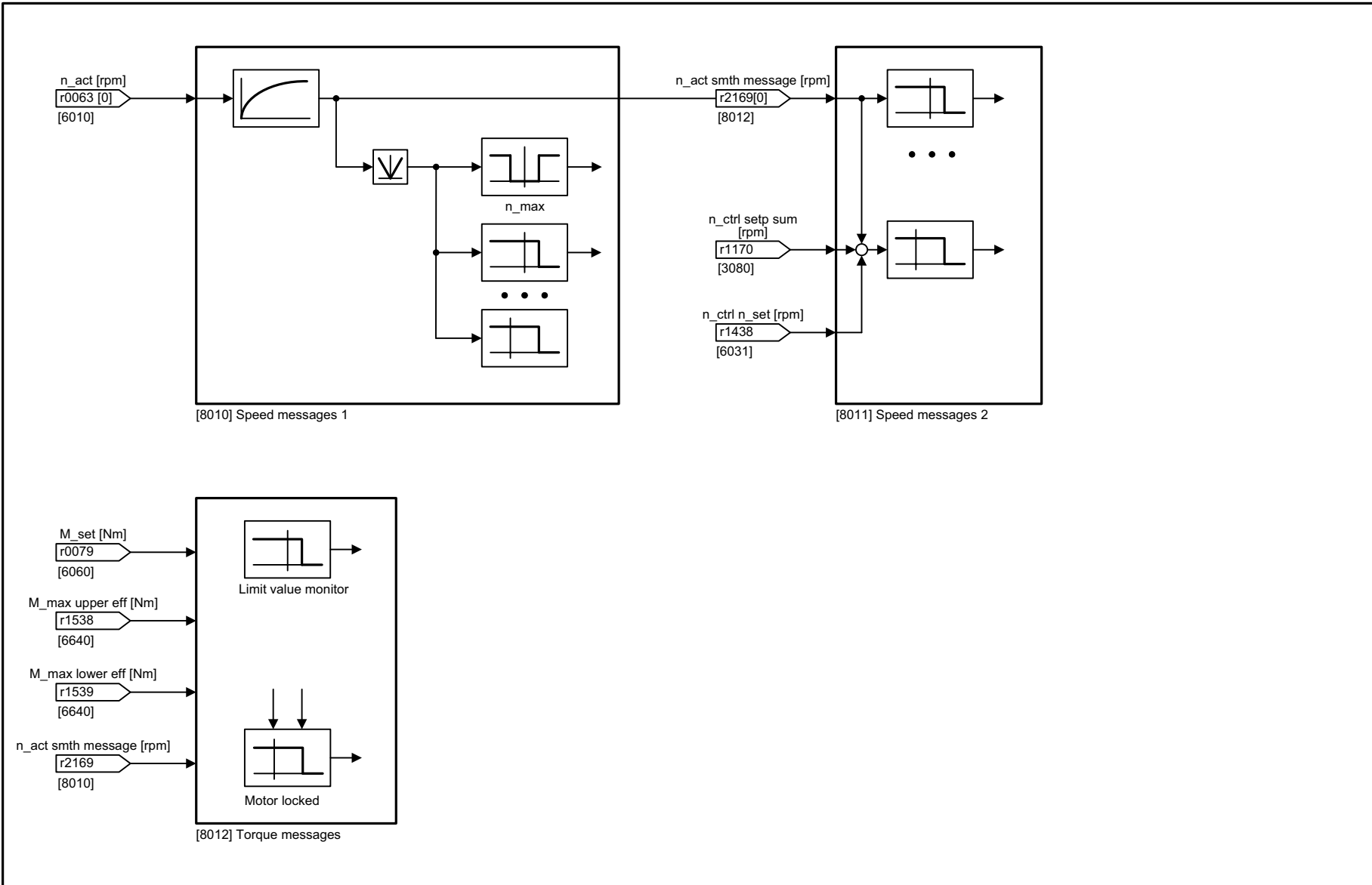
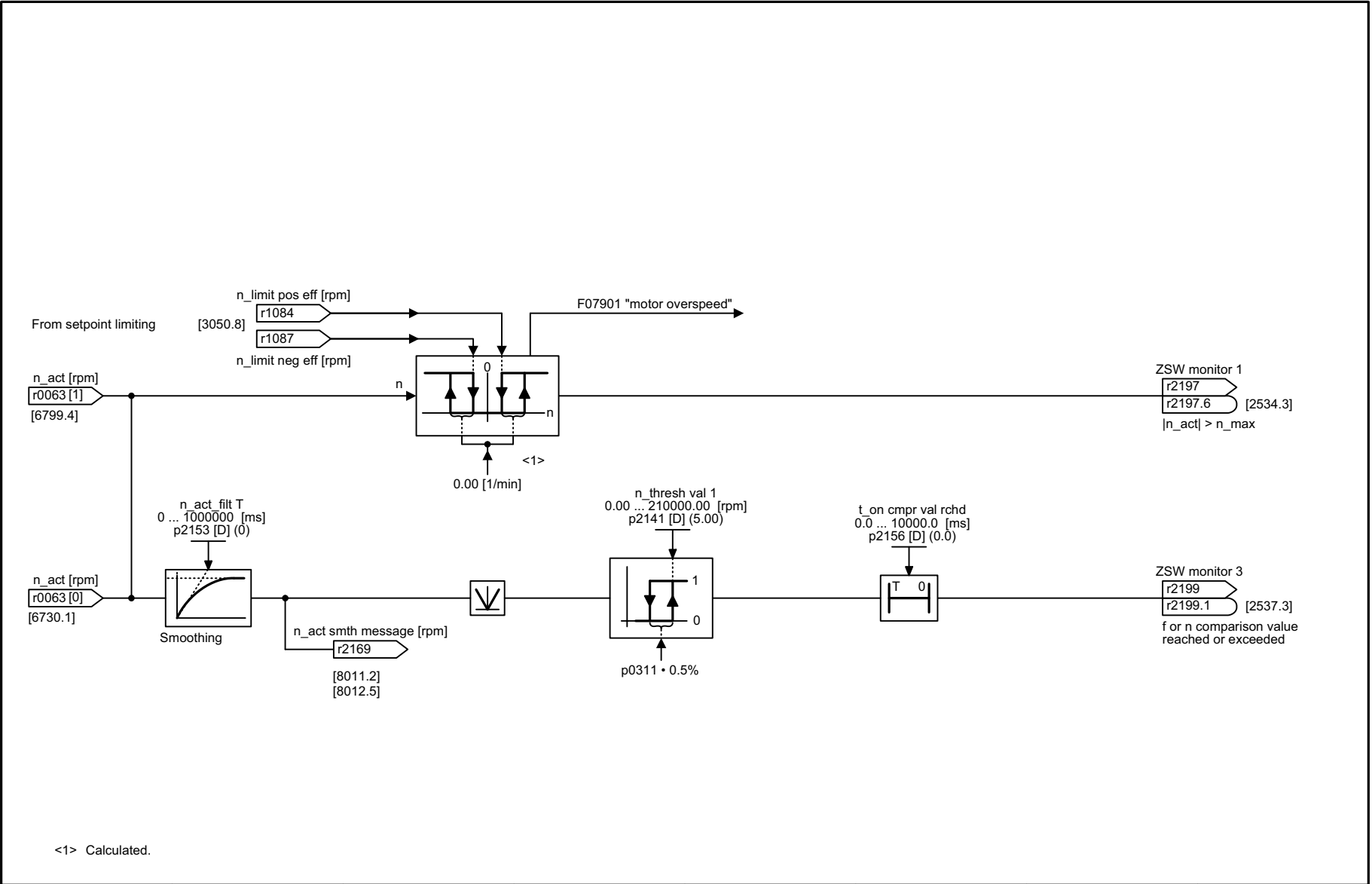


Fig. 3-97 8005 – Overview

1	2	3	4	5	6	7	8
Signals and monitoring functions					fp_8005_97_05.vsd	Function diagram	
Overview					07.04.2014 V4.7	SINAMICS G120C	
							- 8005 -

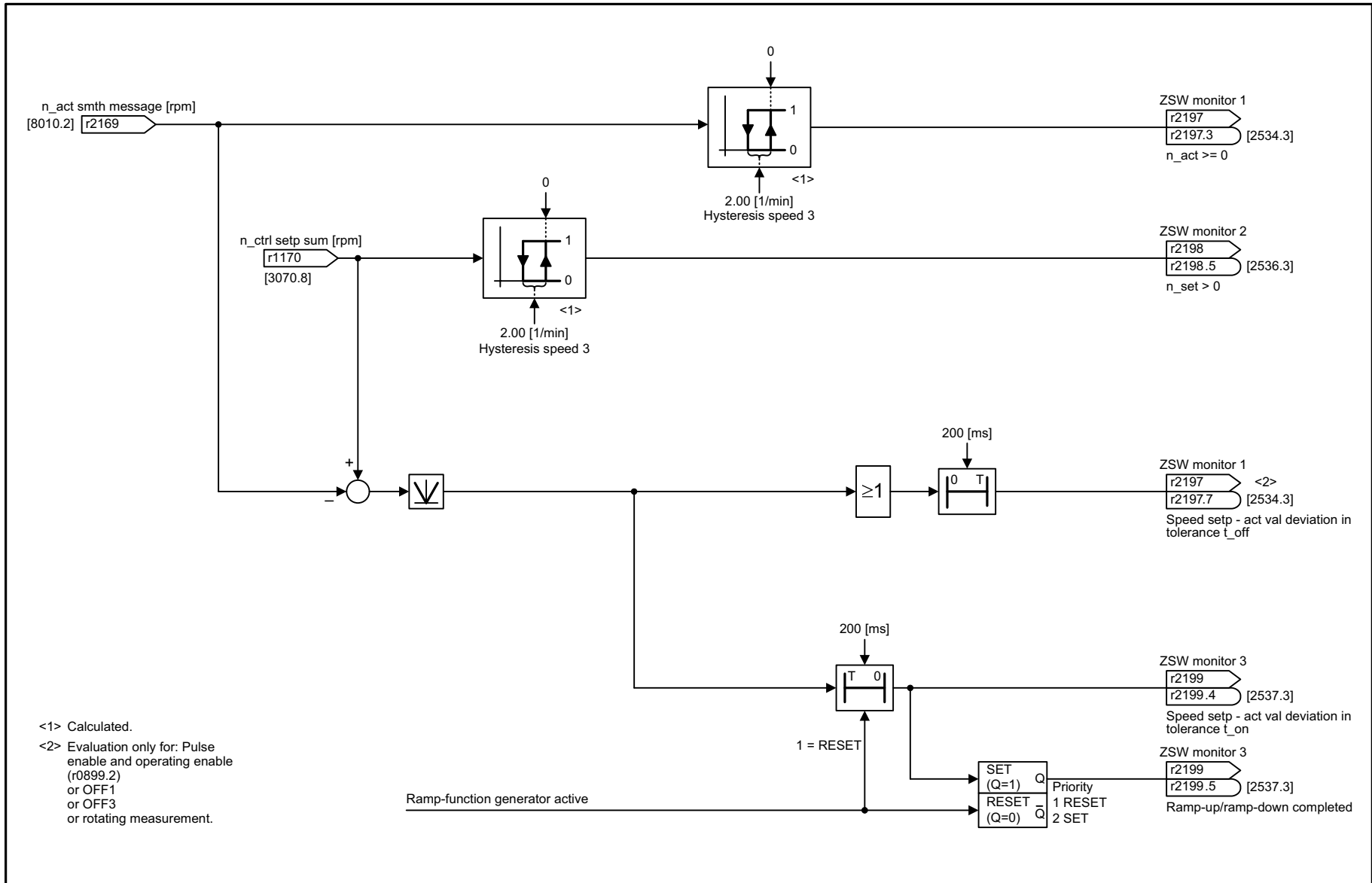


<1> Calculated.

1	2	3	4	5	6	7	8
Signals and monitoring functions					fp_8010_97_05.vsd	Function diagram	
Speed signals 1					07.04.2014 V4.7	SINAMICS G120C	
- 8010 -							

Fig. 3-98 8010 – Speed signals 1

Fig. 3-99 8011 – Speed signals 2



1	2	3	4	5	6	7	8
Signals and monitoring functions					fp_8011_97_05.vsd	Function diagram	
Speed signals 2					07.04.2014 V4.7	SINAMICS G120C	
							- 8011 -

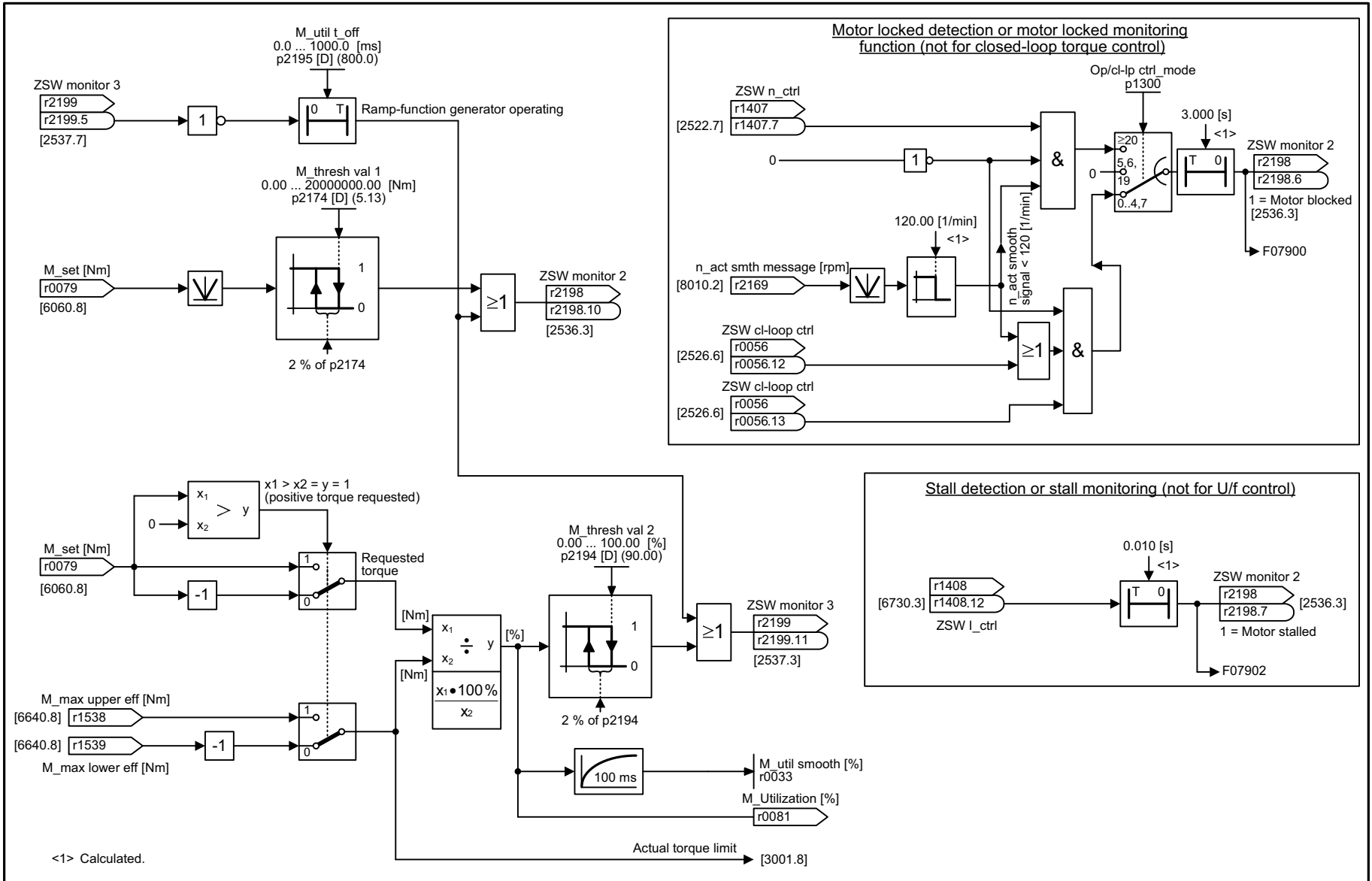
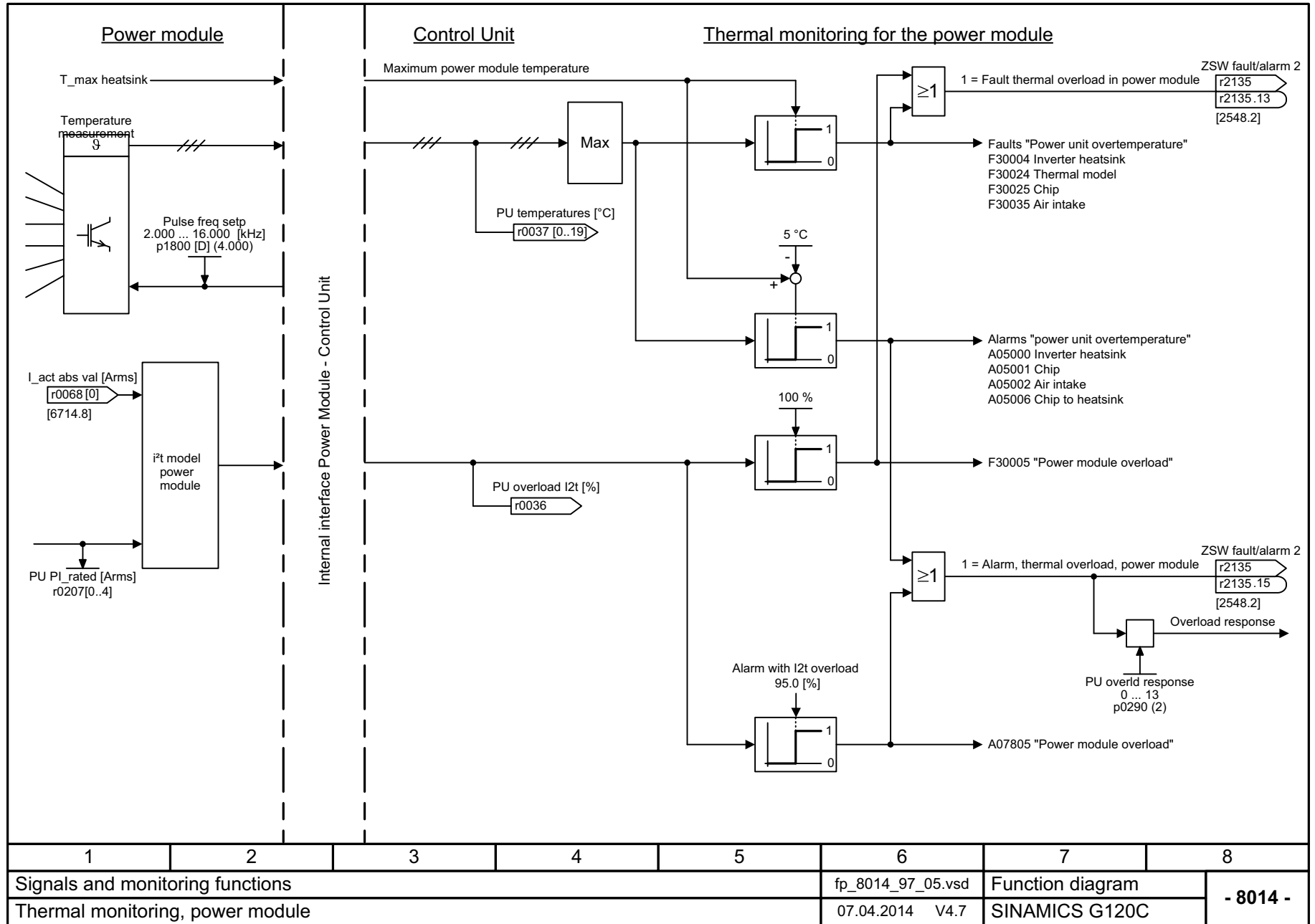


Fig. 3-100 8012 – Torque signals, motor blocked/stalled

1	2	3	4	5	6	7	8
Signals and monitoring functions					fp_8012_97_05.vsd	Function diagram	
Torque signals, motor blocked/stalled					07.04.2014 V4.7	SINAMICS G120C	

Fig. 3-101 8014 – Thermal monitoring, power unit



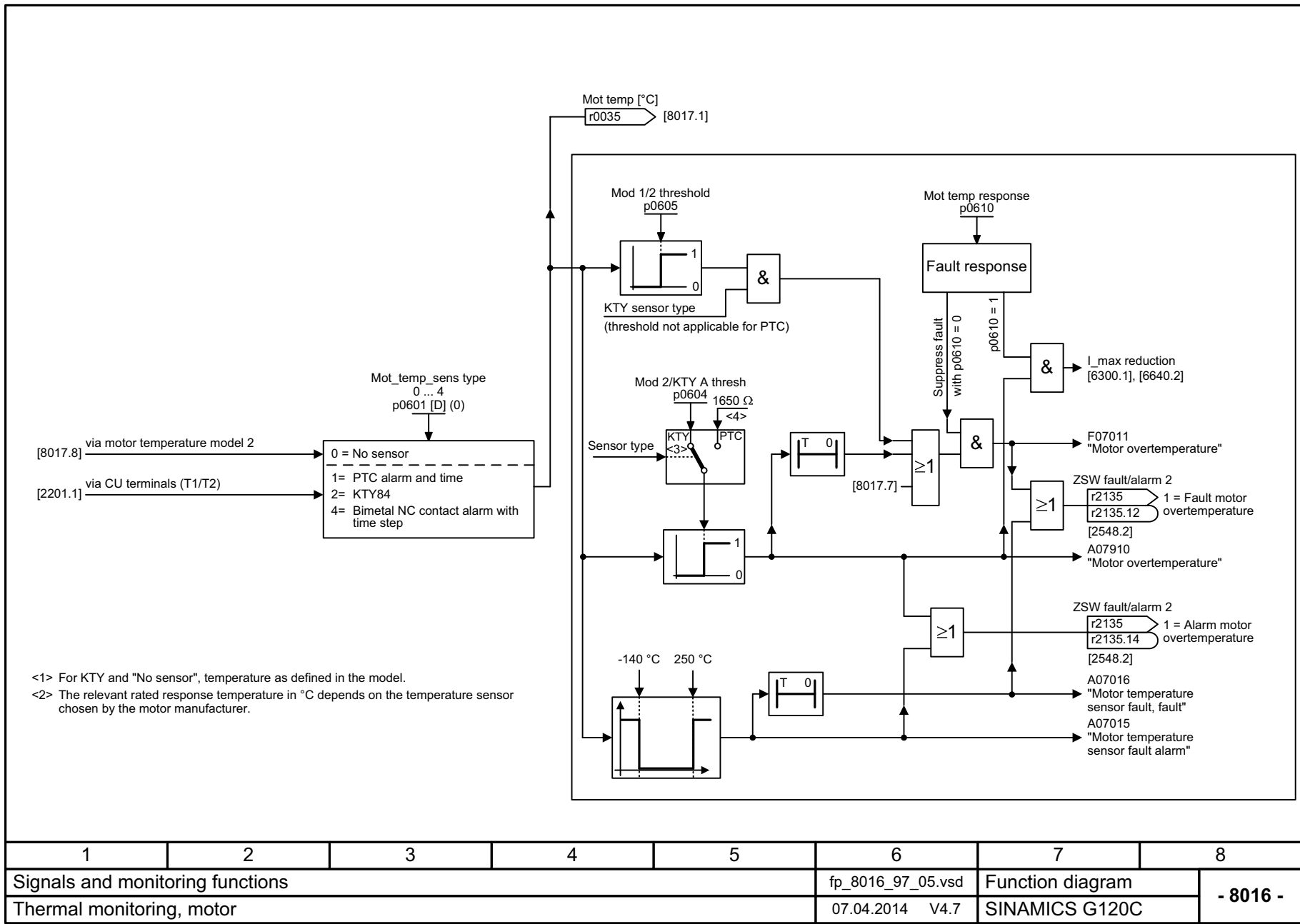
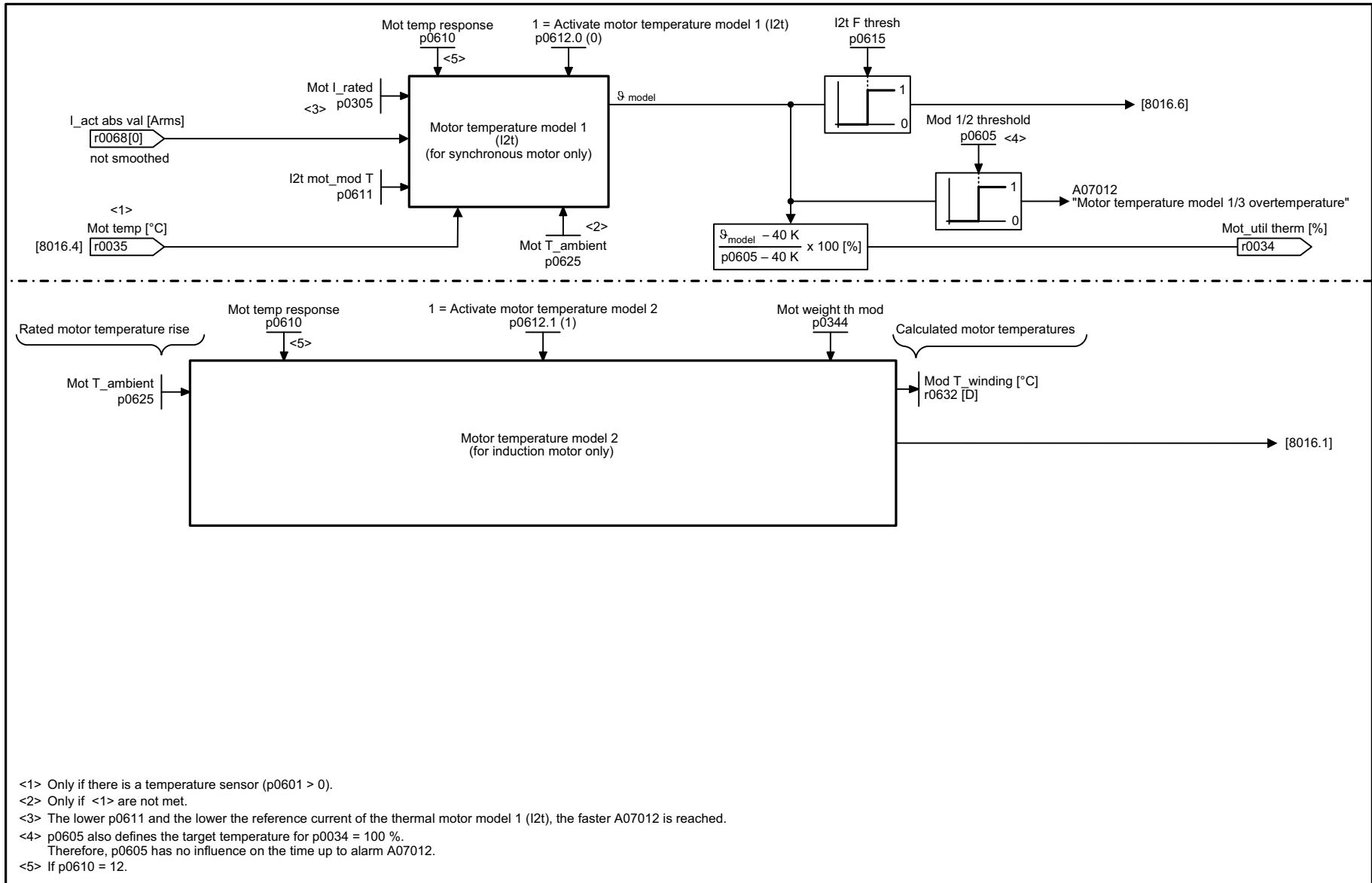


Fig. 3-102 8016 – Thermal monitoring, motor

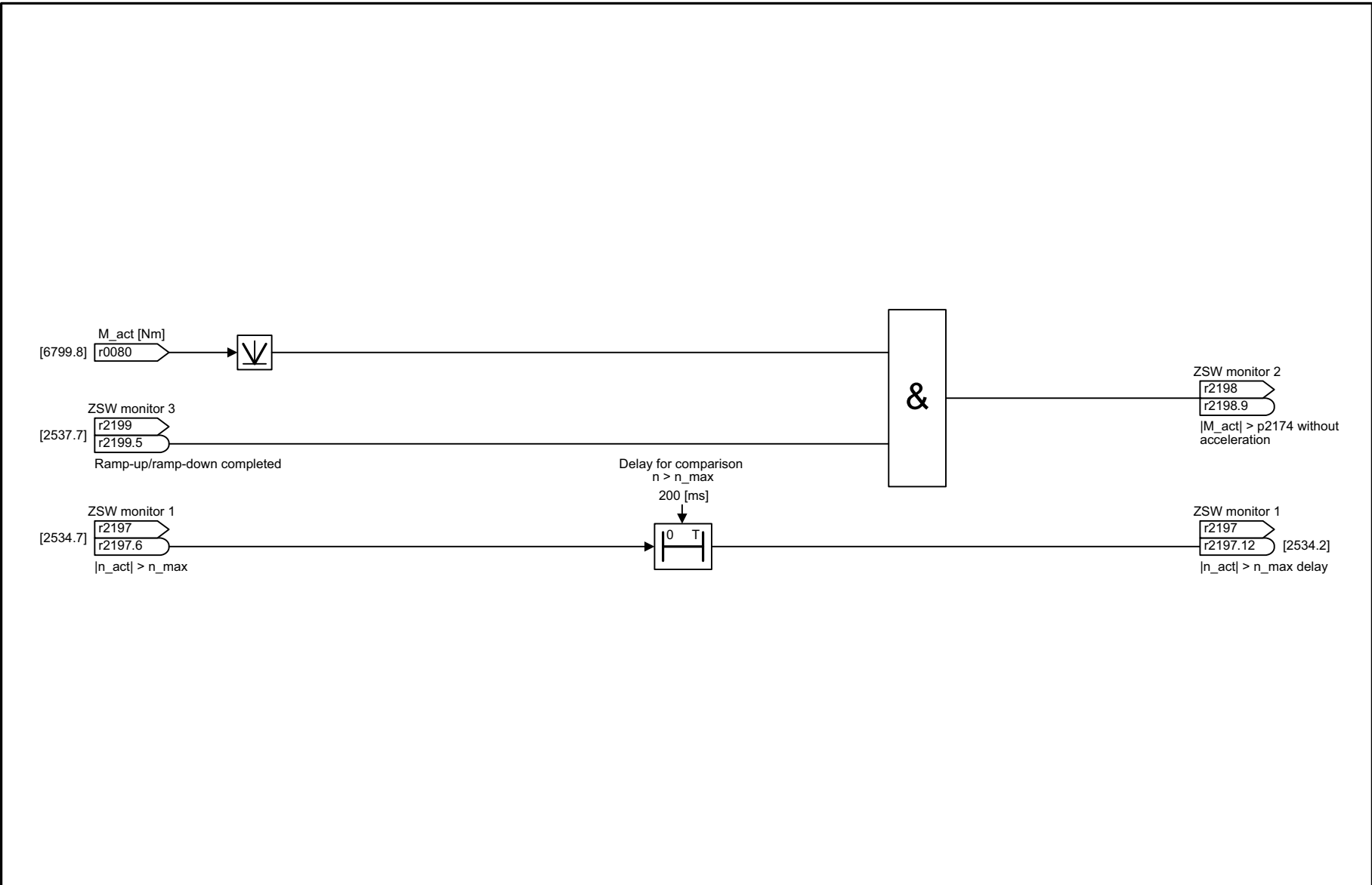
1	2	3	4	5	6	7	8
Signals and monitoring functions					fp_8016_97_05.vsd	Function diagram	
Thermal monitoring, motor					07.04.2014 V4.7	SINAMICS G120C	
							- 8016 -

Fig. 3-103 8017 – Thermal motor models



- <1> Only if there is a temperature sensor (p0601 > 0).
- <2> Only if <1> are not met.
- <3> The lower p0611 and the lower the reference current of the thermal motor model 1 (I2t), the faster A07012 is reached.
- <4> p0605 also defines the target temperature for p0034 = 100 %.
Therefore, p0605 has no influence on the time up to alarm A07012.
- <5> If p0610 = 12.

1	2	3	4	5	6	7	8
Signals and monitoring functions					fp_8017_97_05.vsd	Function diagram	
Thermal motor models					07.04.2014 V4.7	SINAMICS G120C	
							- 8017 -



1	2	3	4	5	6	7	8
Signals and monitoring functions					fp_8021_97_05.vsd	Function diagram	
Monitoring functions 2					07.04.2014 V4.7	SINAMICS G120C	
							- 8021 -

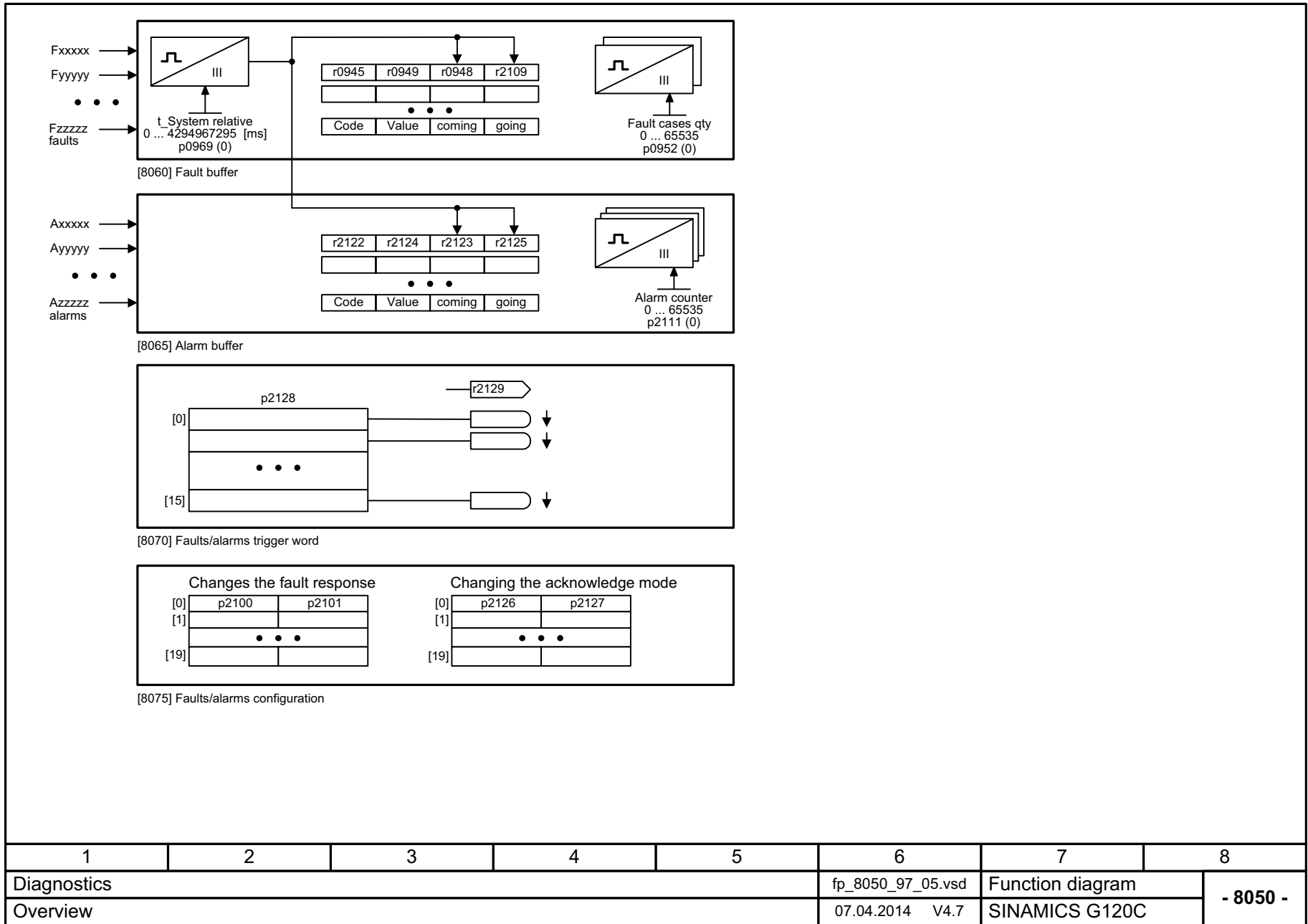
Fig. 3-105 8021 – Monitoring functions 2

3.17 Diagnostics

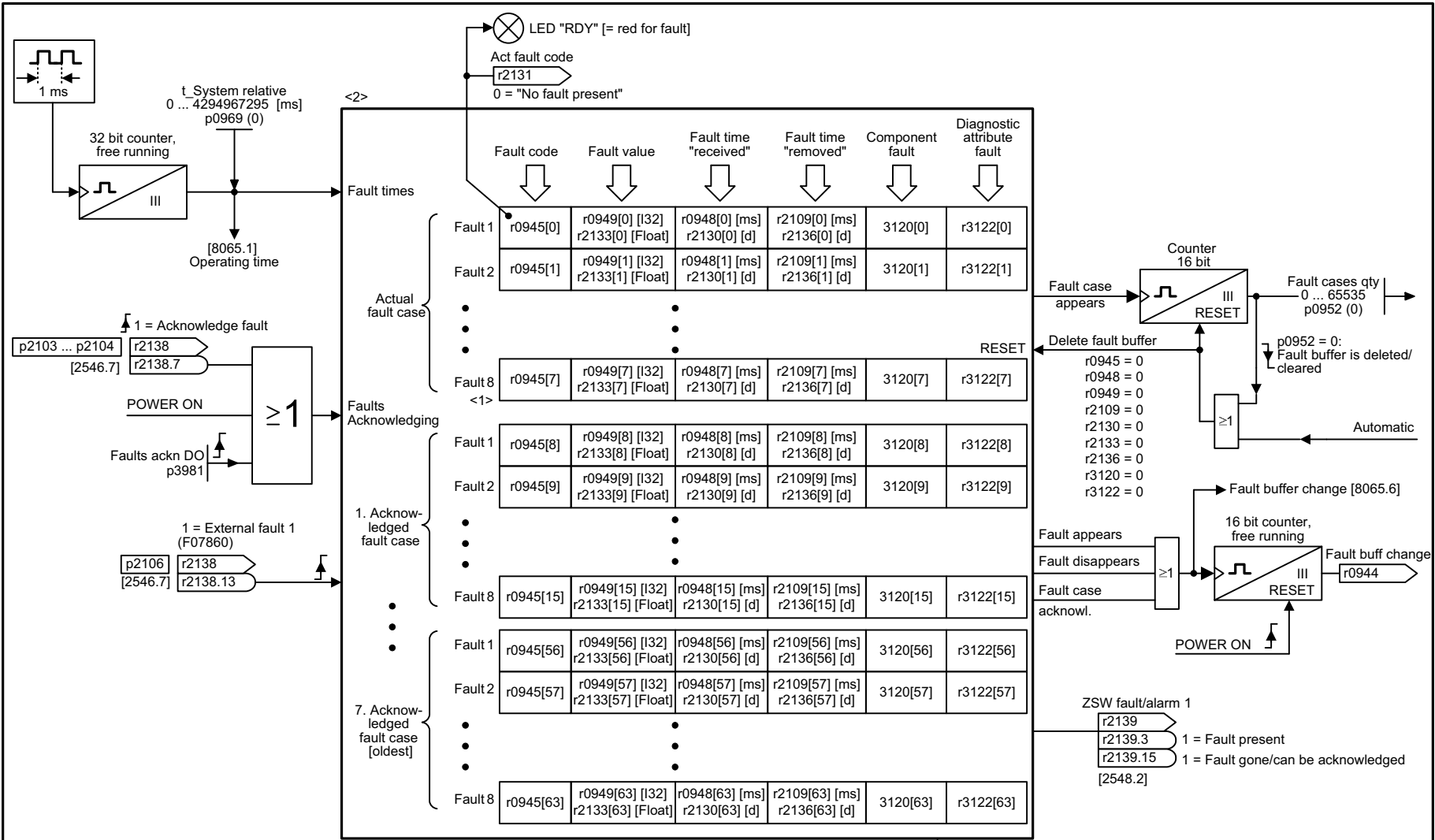
Function diagrams

8050 – Overview	443
8060 – Fault buffer	444
8065 – Alarm buffer	445
8070 – Faults/alarms trigger word (r2129)	446
8075 – Faults/alarms configuration	447

Fig. 3-106 8050 – Overview



1	2	3	4	5	6	7	8
Diagnostics					fp_8050_97_05.vsd	Function diagram	
Overview					07.04.2014 V4.7	SINAMICS G120C	
							- 8050 -



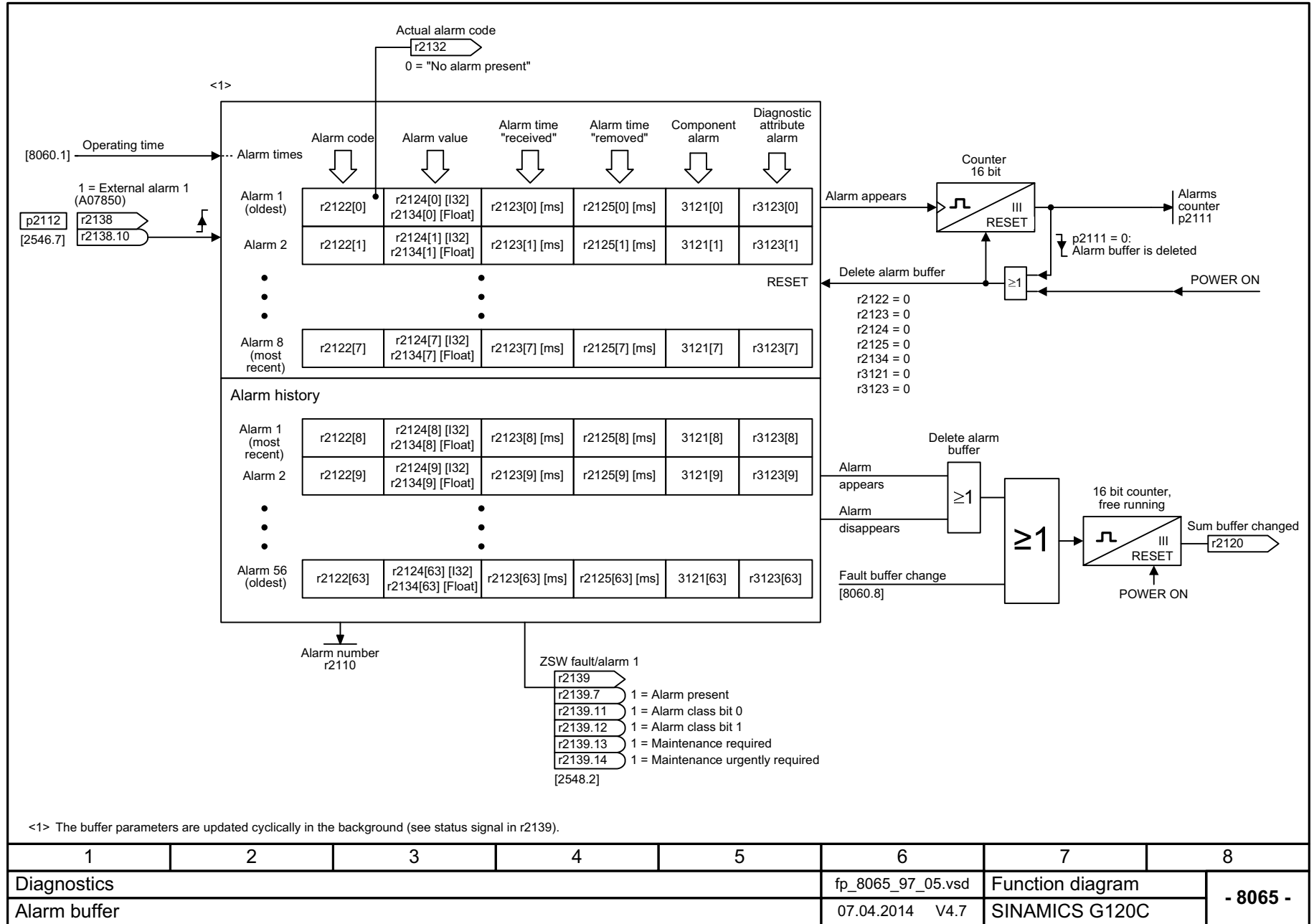
<1> This fault is overwritten when "more recent" faults occur.
<2> The buffer parameters are cyclically updated in the background (refer to the status signal in r2139).

1	2	3	4	5	6	7	8
Diagnostics					fp_8060_97_05.vsd	Function diagram	
Fault buffer					07.04.2014 V4.7	SINAMICS G120C	

- 8060 -

Fig. 3-107 8060 – Fault buffer

Fig. 3-108 8065 – Alarm buffer



1	2	3	4	5	6	7	8
Diagnostics					fp_8065_97_05.vsd	Function diagram	
Alarm buffer					07.04.2014 V4.7	SINAMICS G120C	
							- 8065 -

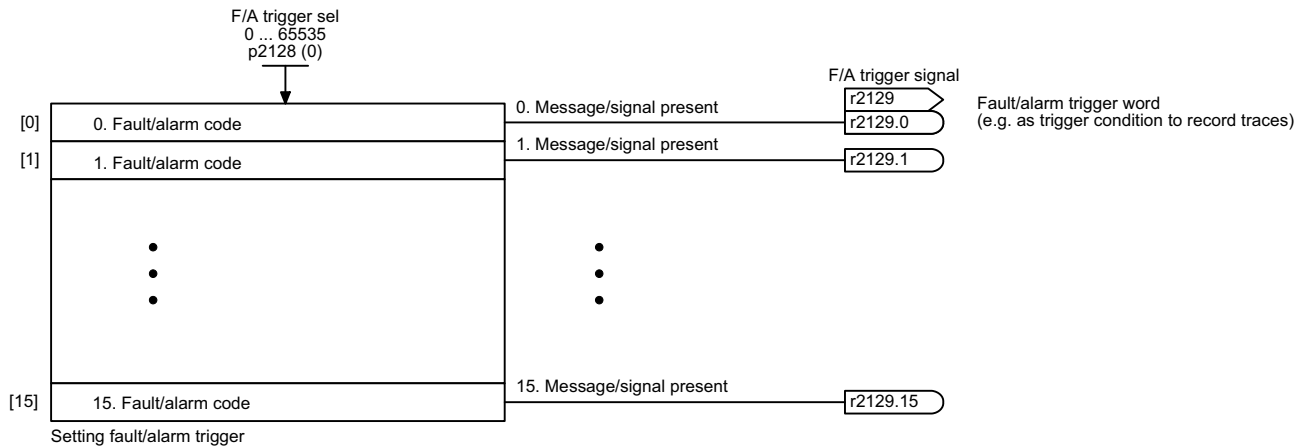
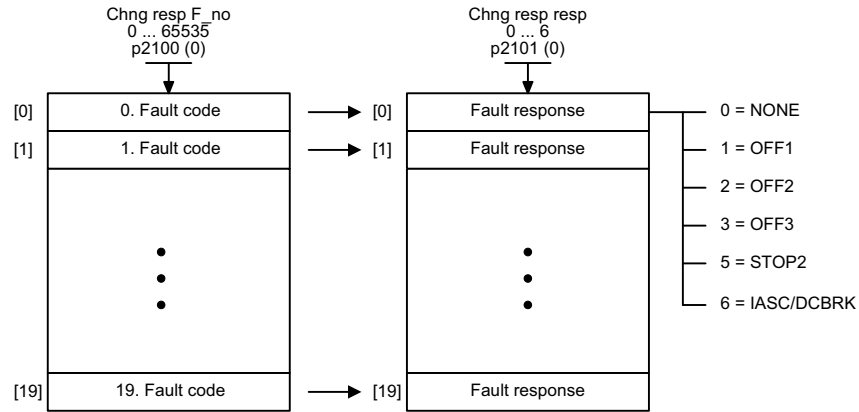


Fig. 3-109 8070 – Faults/alarms trigger word (r2129)

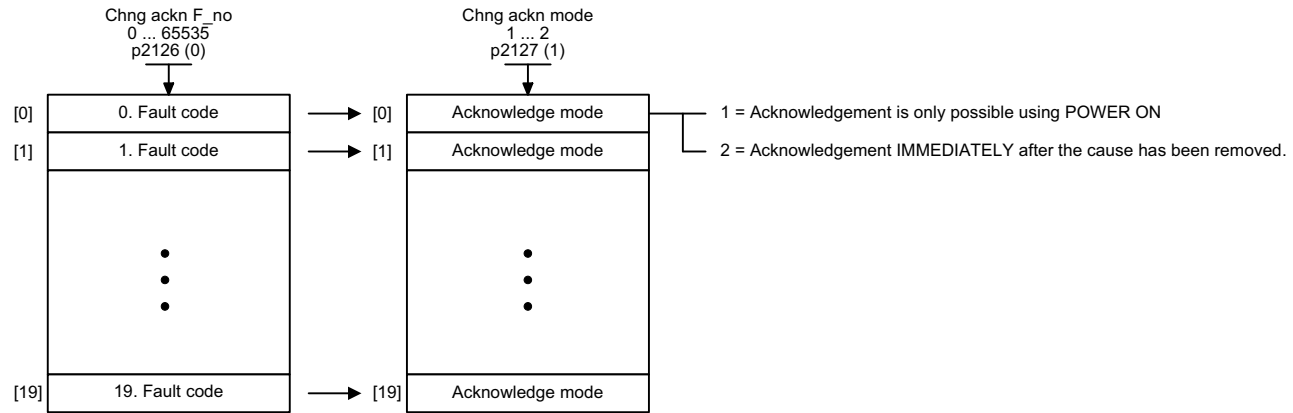
1	2	3	4	5	6	7	8
Diagnostics					fp_8070_97_61.vsd	Function diagram	
Faults/alarms trigger word (r2129)					07.04.2014 V4.7	SINAMICS G120C	
- 8070 -							

Fig. 3-110 8075 – Faults/alarms configuration

Changing the fault response for maximum 20 faults <1>



Changing the acknowledge mode for maximum 20 faults <1>



<1> The fault response, acknowledge mode and message type for all faults and alarms are set to meaningful default values in the factory setting. Changes are only possible in specific value ranges specified by SIEMENS. When the message type is changed, the supplementary information is transferred from fault value r0949 to alarm value r2124 and vice versa.

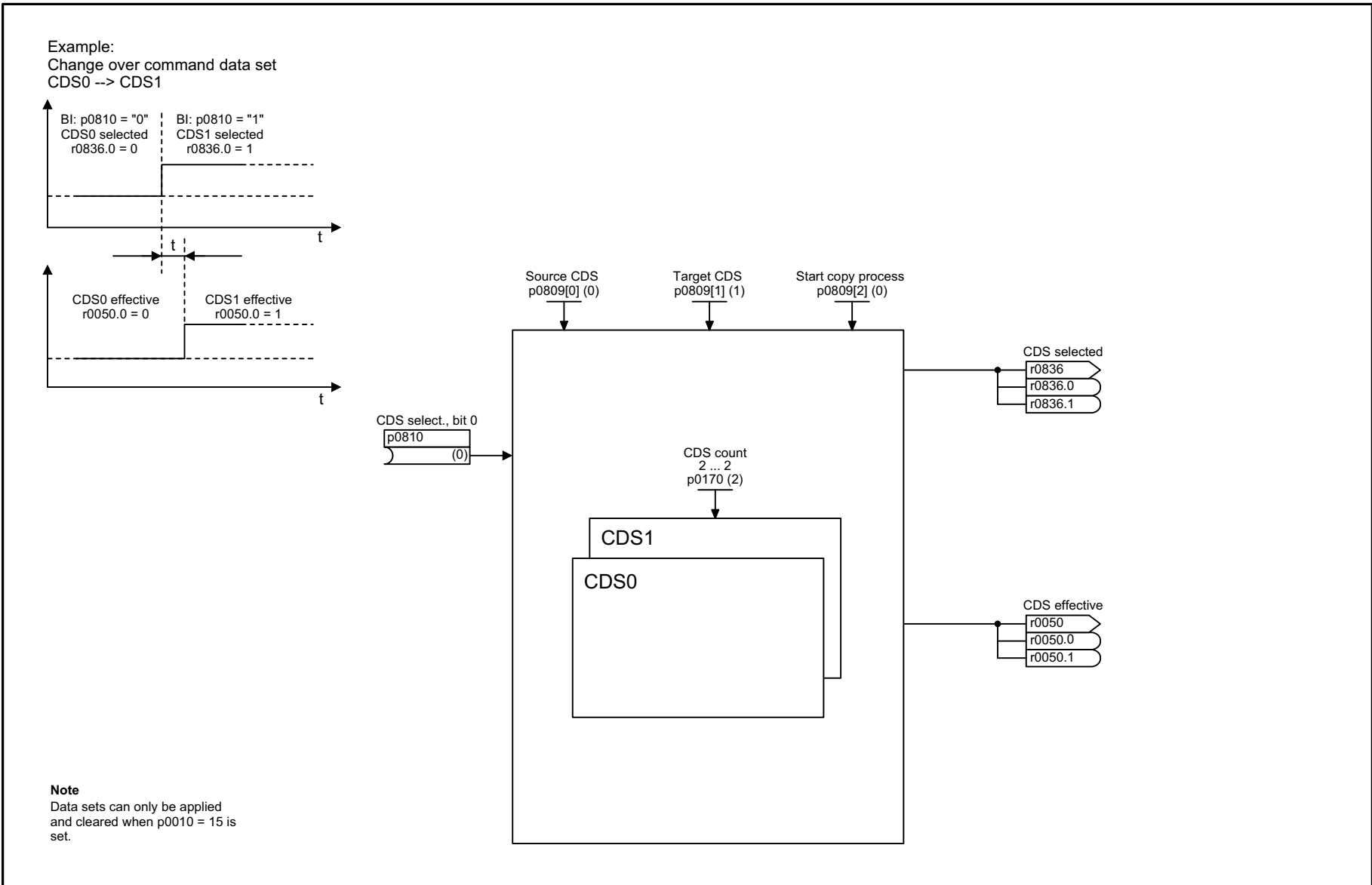
1	2	3	4	5	6	7	8
Diagnostics					fp_8075_97_05.vsd	Function diagram	
Faults/alarms configuration					07.04.2014 V4.7	SINAMICS G120C	
							- 8075 -

3.18 Data sets

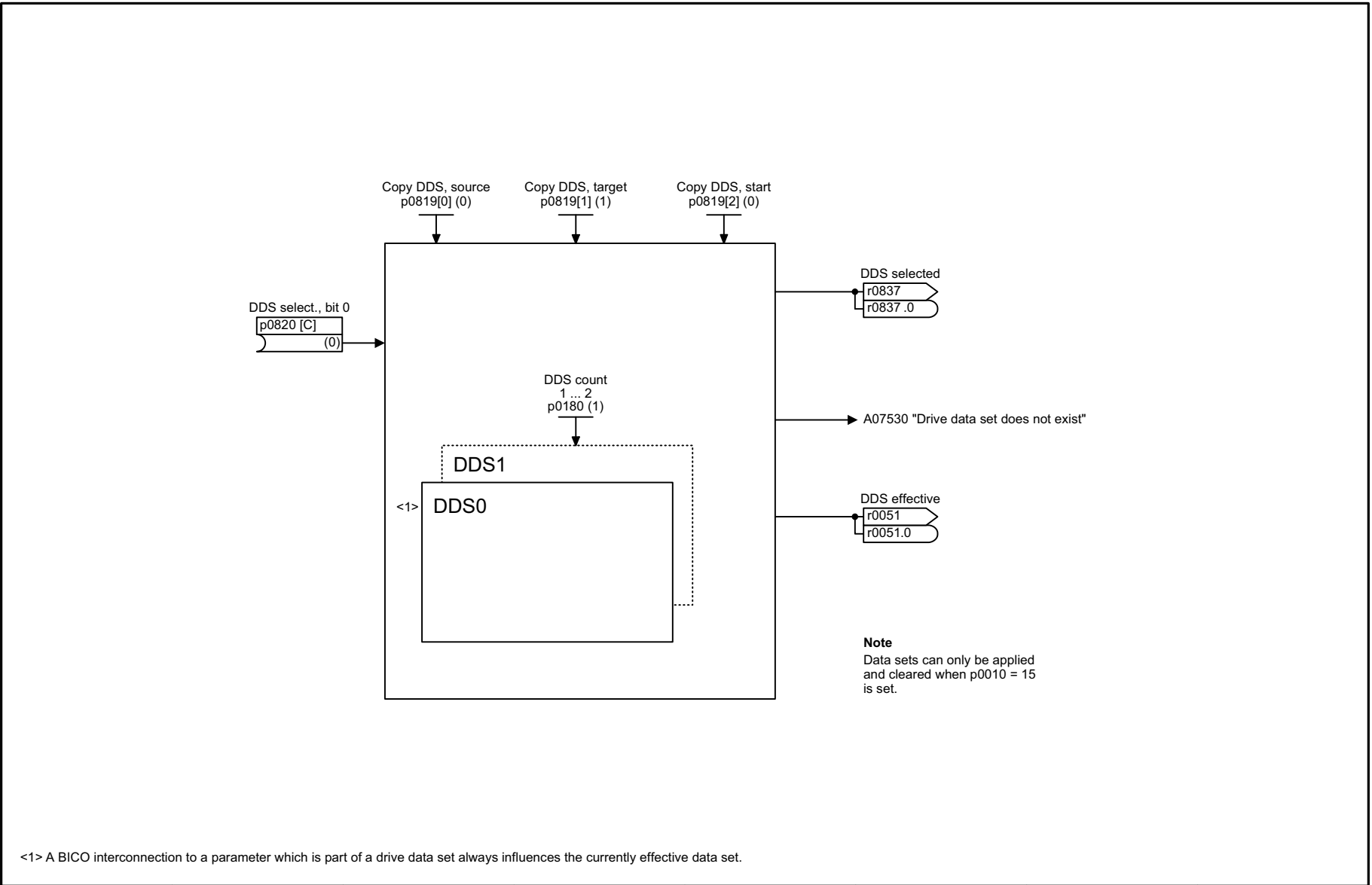
Function diagrams

8560 – Command Data Sets (CDS)	449
8565 – Drive Data Sets (DDS)	450

Fig. 3-111 8560 – Command Data Sets (CDS)



1	2	3	4	5	6	7	8
Data sets					fp_8560_97_05.vsd	Function diagram	
Command Data Sets (CDS)					07.04.2014 V4.7	SINAMICS G120C	
							- 8560 -



<1> A BICO interconnection to a parameter which is part of a drive data set always influences the currently effective data set.

1	2	3	4	5	6	7	8
Data sets					fp_8565_97_05.vsd	Function diagram	
Drive Data Sets (DDS)					07.04.2014 V4.7	SINAMICS G120C	
							- 8565 -

Fig. 3-112 8565 – Drive Data Sets (DDS)

Faults and alarms

Content

4.1	Overview of faults and alarms	452
4.2	List of faults and alarms	463

4.1 Overview of faults and alarms

4.1.1 General information

Display of faults/alarms (messages)

In the case of a fault, the drive signals the corresponding fault(s) and/or alarm(s).

For example, the following methods for displaying faults and alarms are available:

- Display via the fault and alarm buffer with PROFIBUS/PROFINET
- Display online via the commissioning software
- Display and operating unit (e.g. BOP, AOP)

Differences between faults and alarms

The differences between faults and alarms are as follows:

Table 4-1 Differences between faults and alarms

Type	Description
Faults	<p>What happens when a fault occurs?</p> <ul style="list-style-type: none"> • The appropriate fault reaction is triggered. • Status signal ZSW1.3 is set. • The fault is entered in the fault buffer. <p>How are faults eliminated?</p> <ul style="list-style-type: none"> • Remove the original cause of the fault. • Acknowledge the fault.
Alarms	<p>What happens when an alarm occurs?</p> <ul style="list-style-type: none"> • Status signal ZSW1.7 is set. • The alarm is entered in the alarm buffer. <p>How are alarms removed?</p> <ul style="list-style-type: none"> • Alarms acknowledge themselves. If the cause of the alarm is no longer present, they automatically reset themselves.

Fault reactions

The following fault reactions are defined:

Table 4-2 Fault reactions

List	PROFIdrive	Reaction	Description
NONE	-	None	<p>No reaction when a fault occurs.</p> <p>Note With "Basic positioner" (r0108.4 = 1), the following applies: When a fault occurs with fault reaction "NONE", an active traversing task is interrupted and the system switches to tracking mode until the fault has been rectified and acknowledged.</p>
OFF1	ON/ OFF	Brake along the ramp-function generator down ramp followed by pulse inhibit	<p>Closed-loop speed control (p1300 = 20, 21)</p> <ul style="list-style-type: none"> • n_set = 0 is input immediately to brake the drive along the ramp-function generator ramp down (p1121). • When zero speed is detected, the motor holding brake (if parameterized) is closed (p1215). The pulses are suppressed when the brake application time (p1217) expires. Zero speed is detected if the actual speed drops below the threshold (p1226) or if the monitoring time (p1227) started when the speed setpoint <= speed threshold (p1226) has expired. <p>Torque control (p1300 = 22, 23)</p> <ul style="list-style-type: none"> • The following applies for torque control: Reaction as for OFF2. • When the system switches to torque control with p1501, the following applies: No separate braking reaction. If the actual speed value drops below the speed threshold (p1226) or the timer stage (p1227) has expired, the motor holding brake (if one is being used) is closed. The pulses are suppressed when the brake application time (p1217) expires.
OFF1_ DELAYED	-	As for OFF1, however delayed	<p>Faults with this fault response only become effective after the delay time in p3136 has expired. The remaining time up to OFF1 is displayed in r3137.</p>
OFF2	COAST STOP	Internal/external pulse inhibit	<p>Closed-loop speed and torque control</p> <ul style="list-style-type: none"> • Instantaneous pulse suppression, the drive "coasts" to a standstill. • The motor holding brake (if one is being used) is closed immediately. • Switching on inhibited is activated.

4 Faults and alarms

4.1 Overview of faults and alarms

Table 4-2 Fault reactions, continued

List	PROFIdrive	Reaction	Description
OFF3	QUICK STOP	Braking along the OFF3 down ramp followed by pulse inhibit	<p>Closed-loop speed control (p1300 = 20, 21)</p> <ul style="list-style-type: none"> n_set = 0 is input immediately to brake the drive along the OFF3 ramp down (p1135). When zero speed is detected, the motor holding brake (if parameterized) is closed. The pulses are suppressed when the closing time of the holding brake (p1217) expires. <p>Zero speed is detected if the actual speed drops below the threshold (p1226) or if the monitoring time (p1227) started when the speed setpoint <= speed threshold (p1226) has expired.</p> <ul style="list-style-type: none"> Switching on inhibited is activated. <p>Torque control (p1300 = 22, 23)</p> <ul style="list-style-type: none"> Changeover to speed-controlled operation and other reactions as described for speed-controlled operation.
STOP2	-	n_set = 0	<ul style="list-style-type: none"> n_set = 0 is input immediately to brake the drive along the OFF3 ramp down (p1135). The drive remains in closed-loop speed control.
IASC/ DCBRAKE	-	-	<ul style="list-style-type: none"> For synchronous motors, the following applies: If a fault occurs with this fault reaction, an internal armature short-circuit is triggered. The conditions for p1231 = 4 must be observed. For induction motors, the following applies: If a fault occurs with this fault reaction, DC braking is triggered. DC braking must have been commissioned (p1230 to p1239).
ENCODER	-	Internal/external pulse inhibit (p0491)	<p>The fault reaction ENCODER is applied as a function of the setting in p0491.</p> <p>Factory setting: p0491 = 0 --> Encoder fault causes OFF2</p> <p>Notice</p> <p>When changing p0491, it is imperative that the information in the description of this parameter is carefully observed.</p>

Acknowledging faults

The list of faults and alarms specifies how to acknowledge each fault after the cause has been removed.

Table 4-3 Acknowledging faults

Acknowledgement	Description						
POWER ON	<p>The fault is acknowledged by a POWER ON (switch drive unit off and on again).</p> <p>Note If this action has not removed the fault cause, the fault is displayed again immediately after power up.</p>						
IMMEDIATELY	<p>Faults can be acknowledged on one drive object (Points 1 to 3) or on all drive objects (Point 4) as follows:</p> <p>1 Acknowledge by setting parameter: p3981 = 0 --> 1</p> <p>2 Acknowledge via binector inputs:</p> <table data-bbox="389 837 831 943"> <tr> <td>p2103</td> <td>BI: 1. Acknowledge faults</td> </tr> <tr> <td>p2104</td> <td>BI: 2. Acknowledge faults</td> </tr> <tr> <td>p2105</td> <td>BI: 3. Acknowledge faults</td> </tr> </table> <p>3 Acknowledge via PROFIBUS control signal: STW1.7 = 0 --> 1 (edge)</p> <p>Note</p> <ul style="list-style-type: none"> • These faults can also be acknowledged by a POWER ON. • If the cause of the fault has not been removed, the fault will continue to be displayed after acknowledgement. • Safety Integrated faults The "Safe Torque Off" (STO) function must be deselected before these faults are acknowledged. 	p2103	BI: 1. Acknowledge faults	p2104	BI: 2. Acknowledge faults	p2105	BI: 3. Acknowledge faults
p2103	BI: 1. Acknowledge faults						
p2104	BI: 2. Acknowledge faults						
p2105	BI: 3. Acknowledge faults						
PULSE INHIBIT	<p>The fault can only be acknowledged when the pulses are inhibited (r0899.11 = 0).</p> <p>The same options are available for acknowledging as described under acknowledge IMMEDIATELY.</p>						

4.1.2 Explanation of the list of faults and alarms

The data in the following example has been chosen at random. The information listed below is the maximum amount of information that a description can contain. Some of the information is optional.

The "List of faults and alarms" (Page 463) has the following layout:

----- **Start of example** -----

Axxxxx (F, N)	Fault location (optional): Name
Message class:	Text of the message class (number according to PROFIdrive)
Reaction:	NONE
Acknowledgement:	NONE
Cause:	Description of possible causes. Fault value (r0949, interpret format): or alarm value (r2124, interpret format): (optional) Information about fault or alarm values (optional).
Remedy:	Description of possible remedies.

----- **End of example** -----

Axxxxx	Alarm xxxxx
Axxxxx (F, N)	Alarm xxxxx (message type can be changed to F or N)
Fxxxxx	Fault xxxxx
Fxxxxx (A, N)	Fault xxxxx (report type can be changed to A or N)
Nxxxxx	No message
Nxxxxx (A)	No message (message type can be changed to A)
Cxxxxx	Safety message (separate message buffer)

A message comprises a letter followed by the relevant number.

The meaning of the letters is as follows:

- A means "Alarm"
- F means "Fault"
- N means "No message" or "Internal message"
- C means "Safety message"

The optional brackets indicate whether the type specified for this message can be changed and which message types can be adjusted via parameters (p2118, p2119).

Information about reaction and acknowledgement is specified independently for a message with adjustable message type (e.g. reaction to F, acknowledgement for F).

Note

You can change the default properties of a fault or alarm by setting parameters.

References: /BA7/ SINAMICS G120 Operating Instructions
SINAMICS G120C Frequency Converter,
Section "Alarms, faults, and system messages"

The "List of faults and alarms" (Page 463) supplies information referred to the properties of a message set as default. If the properties of a specific message are changed, the corresponding information may have to be modified in this list.

Fault location (optional): Name

The fault location (optional), the name of the fault or alarm and the message number are all used to identify the message (e.g. with the commissioning software).

Message class:

For each message, specifies the associated message class with the following structure:

Text of the message class (number according to PROFIdrive)

The message classes are transferred at different interfaces to higher-level control systems and their associated display and operating units.

The message classes that are available are shown in Table "Message classes and coding of various diagnostic interfaces" (Page 458). In addition to the text of the message class and their number according to PROFIdrive – as well as a brief help text regarding the cause and remedy – they also include information about the various diagnostic interfaces:

- PN (hex)
Specifies the "Channel error type" of the PROFINET channel diagnostics.
When activating the channel diagnostics, using the GSDML file, the texts listed in the table can be displayed.
- DS1 (dec)
Specifies the bit number in data set DS1 of the diagnostic alarm for SIMATIC S7.
When the diagnostic alarms are activated, the texts listed in the table can be displayed.
- DP (dec)
Specifies the "Error type" of the channel-related diagnostics for PROFIBUS.
When the channel diagnostics are activated, the texts listed in the standard and the GSD file can be displayed.
- ET 200 (dec)
Specifies the "Error type" of the channel-related diagnostics for the SIMATIC ET 200pro FC-2 device.
When the channel diagnostics are activated, the texts listed in the standard and the GSD file of the ET 200pro can be displayed.
- NAMUR (r3113.x)
Specifies the bit number in parameter r3113.

For the interfaces DP, ET 200, NAMUR, in some instances, the message classes are combined.

4 Faults and alarms

4.1 Overview of faults and alarms

Table 4-4 Message classes and coding of various diagnostic interfaces

Text of the message class (number according to PROFIdrive) Cause and remedy.	Diagnostics interface				
	PN (hex)	DS1 (dec)	DP (dec)	ET 200 (dec)	NAMUR (r3113.x)
Hardware/software errors (1) A hardware or software malfunction was detected. Carry out a POWER ON for the relevant component. If it occurs again, contact the hotline.	9000	0	16	9	0
Line fault (2) A line supply fault has occurred (phase failure, voltage level ...). Check the line supply and fuses. Check the supply voltage. Check the wiring.	9001	1	17	24	1
Supply voltage fault (3) An electronics supply voltage fault (48 V, 24 V, 5 V ...) was detected. Check the wiring. Check the voltage level.	9002	2	2 ¹ 3 ²	2 ¹ 3 ²	15
DC-link overvoltage (4) The DC-link voltage has assumed an inadmissibly high value. Check the dimensioning of the system (line supply, reactor, voltages). Check the infeed settings.	9003	3	18	24	2
Power electronics fault (5) An impermissible operating state of the power electronics was detected (overcurrent, overtemperature, IGBT failure ...). Check compliance with the permissible load cycles. Check the ambient temperatures (fan).	9004	4	19	24	3
Overtemperature of the electronic component (6) The temperature in the component has exceeded the highest permissible limit. Check the ambient temperature / control cabinet ventilation.	9005	5	20	5	4
Ground fault / inter-phase short-circuit detected (7) A ground fault / inter-phase short-circuit was detected in the power cables or in the motor windings. Check the power cables (connection). Check the motor.	9006	6	21	20	5
Motor overload (8) The motor was operated outside the permissible limits (temperature, current, torque ...). Check the load cycles and set limits. Check the ambient temperature / motor cooling.	9007	7	22	24	6
Communication to the higher-level controller faulted (9) The communication to the higher-level controller (internal coupling, PROFIBUS, PROFINET ...) is faulted or interrupted. Check the state of the higher-level controller. Check the communication connection/-wiring. Check the bus configuration/cycles.	9008	8	23	19	7
Safety monitoring channel has detected an error (10) A safe operation monitoring function has detected an error.	9009	9	24	25	8
Actual position/speed value incorrect or not available (11) An illegal signal state was detected while evaluating the encoder signals (track signals, zero marks, absolute values ...). Check the encoder / state of the encoder signals. Observe the maximum permissible frequencies.	900A	10	25	29	9

Table 4-4 Message classes and coding of various diagnostic interfaces, continued

Text of the message class (number according to PROFIdrive) Cause and remedy.	Diagnostics interface				
	PN (hex)	DS1 (dec)	DP (dec)	ET 200 (dec)	NAMUR (r3113.x)
Internal (DRIVE-CLiQ) communication faulted (12) The internal communication between the SINAMICS components is faulted or interrupted. Check the DRIVE-CLiQ wiring. Ensure an EMC-compliant installation. Observe the maximum permissible quantity structures / cycles.	900B	11	26	31	10
Infeed fault (13) The infeed is faulty or has failed. Check the infeed and its environment (line supply, filters, reactors, fuses ...). Check the infeed control.	900C	12	27	24	11
Braking controller / Braking Module faulted (14) The internal or external Braking Module is faulted or overloaded (temperature). Check the connection/state of the Braking Module. Comply with the permissible number of braking operations and their duration.	900D	13	28	24	15
Line filter fault (15) The line filter monitoring has detected an excessively high temperature or another impermissible state. Check the temperature / temperature monitoring. Check the configuration to ensure that it is permissible (filter type, infeed, thresholds).	900E	14	17	24	15
External measured value / signal state outside of the permissible range (16) A measured value / signal state read in via the input area (digital/analog/temperature) has assumed an impermissible value/state. Identify and check the relevant signal. Check the set thresholds.	900F	15	29	26	15
Application / technological function faulty (17) The application / technological function has exceeded a (set) limit (position, velocity, torque ...). Identify and check the relevant limit. Check the setpoint specification of the higher-level controller.	9010	16	30	9	15
Error in the parameterization/configuration/commissioning procedure (18) An error was identified in the parameterization or in a commissioning procedure, or the parameterization does not match the actual device configuration. Determine the precise cause of the fault using the commissioning tool. Adapt the parameterization or device configuration.	9011	17	31	16	15
General drive fault (19) Group fault. Determine the precise cause of the fault using the commissioning tool.	9012	18	9	9	15
Auxiliary unit fault (20) The monitoring of an auxiliary unit (incoming transformer, cooling unit ...) has detected an illegal state. Determine the exact cause of the fault and check the relevant device.	9013	19	29	26	15

1. Undervoltage condition of the electronics power supply
2. Overvoltage condition of the electronics power supply

Reaction: Default fault reaction (adjustable fault reaction)

Specifies the default reaction in the event of a fault.

The optional parentheses indicate whether the default fault reactions can be changed and which fault reactions can be adjusted via parameters (p2100, p2101).

Note

See Table "Fault reactions" (Page 453)

Acknowledgement: Default acknowledgement (adjustable acknowledgement)

Specifies the default method of acknowledging faults after the cause has been eliminated.

The optional parentheses indicate whether the default acknowledgement can be changed and which acknowledgement can be adjusted via parameters (p2126, p2127).

Note

See Table "Acknowledging faults" (Page 455)

Cause:

Describes the possible causes of the fault or alarm. A fault or alarm value can also be specified (optional).

Fault value (r0949, format):

The fault value is entered into the fault buffer in r0949[0...63] and specifies additional, more precise information about a fault.


Alarm value (r2124, format):

The alarm value specifies additional, more precise information about an alarm.

The alarm value is entered in the alarm buffer in r2124[0...7] and specifies additional, more precise information about an alarm.

Remedy:

Description of the methods available for eliminating the cause of the active fault/alarm

 WARNING
In certain cases, service and maintenance personnel are responsible for choosing a suitable method for eliminating the cause of faults.

4.1.3 Number ranges of faults and alarms

Note

The following number ranges represent an overview of all faults and alarms used in the SINAMICS drive family.

The faults and alarms for the product described in this List Manual are described in detail in "List of faults and alarms" (Page 463).

Faults and alarms are organized into the following number ranges:

Table 4-5 Number ranges of faults and alarms

of	To	Area
1000	3999	Control Unit
4000	4999	Reserved
5000	5999	Power section
6000	6899	Infeed
6900	6999	Braking Module
7000	7999	Drive
8000	8999	Option Board
9000	12999	Reserved
13000	13020	Licensing
13021	13099	Reserved
13100	13102	Know-how protection
13103	19999	Reserved
20000	29999	OEM
30000	30999	DRIVE-CLiQ component power unit
31000	31999	DRIVE-CLiQ component encoder 1
32000	32999	DRIVE-CLiQ component encoder 2 Note Faults that occur are automatically output as an alarm if the encoder is parameterized as a direct measuring system and does not intervene in the motor control.
33000	33999	DRIVE-CLiQ component encoder 3 Note Faults that occur are automatically output as an alarm if the encoder is parameterized as a direct measuring system and does not intervene in the motor control.
34000	34999	Voltage Sensing Module (VSM)
35000	35199	Terminal Module 54F (TM54F)
35200	35999	Terminal Module 31 (TM31)
36000	36999	DRIVE-CLiQ Hub Module
37000	37999	HF Damping Module

4 Faults and alarms

4.1 Overview of faults and alarms

Table 4-5 Number ranges of faults and alarms, continued

of	To	Area
40000	40999	Controller Extension 32 (CX32)
41000	48999	Reserved
49000	49999	SINAMICS GM/SM/GL
50000	50499	Communication Board (COMM BOARD)
50500	59999	OEM Siemens
60000	65535	SINAMICS DC MASTER (closed-loop DC current control)

4.2 List of faults and alarms

Product: SINAMICS G120C, Version: 4702900, Language: eng
Objects: G120C_CAN, G120C_DP, G120C_PN, G120C_USS

F01000	Internal software error
Message class:	Hardware / software error (1)
Reaction:	OFF2
Acknowledge:	POWER ON
Cause:	An internal software error has occurred. Fault value (r0949, interpret hexadecimal): Only for internal Siemens troubleshooting.
Remedy:	<ul style="list-style-type: none">- evaluate fault buffer (r0945).- carry out a POWER ON (power off/on) for all components.- if required, check the data on the non-volatile memory (e.g. memory card).- upgrade firmware to later version.- contact the Hotline.- replace the Control Unit.

F01001	FloatingPoint exception
Message class:	Hardware / software error (1)
Reaction:	OFF2
Acknowledge:	POWER ON
Cause:	An exception occurred during an operation with the FloatingPoint data type. The error may be caused by the basic system or an OA application (e.g., FBLOCKS, DCC). Fault value (r0949, interpret hexadecimal): Only for internal Siemens troubleshooting. Note: Refer to r9999 for further information about this fault. r9999[0]: Fault number. r9999[1]: Program counter at the time when the exception occurred. r9999[2]: Cause of the FloatingPoint exception. Bit 0 = 1: Operation invalid Bit 1 = 1: Division by zero Bit 2 = 1: Overflow Bit 3 = 1: Underflow Bit 4 = 1: Inaccurate result
Remedy:	<ul style="list-style-type: none">- carry out a POWER ON (power off/on) for all components.- check configuration and signals of the blocks in FBLOCKS.- check configuration and signals of DCC charts.- upgrade firmware to later version.- contact the Hotline.

F01002	Internal software error
Message class:	Hardware / software error (1)
Reaction:	OFF2
Acknowledge:	IMMEDIATELY
Cause:	An internal software error has occurred. Fault value (r0949, interpret hexadecimal): Only for internal Siemens troubleshooting.
Remedy:	<ul style="list-style-type: none">- carry out a POWER ON (power off/on) for all components.- upgrade firmware to later version.- contact the Hotline.

F01003 Acknowledgement delay when accessing the memory

Message class: Hardware / software error (1)
Reaction: OFF2
Acknowledge: IMMEDIATELY
Cause: A memory area was accessed that does not return a "READY".
Fault value (r0949, interpret hexadecimal):
Only for internal Siemens troubleshooting.
Remedy:
- carry out a POWER ON (power off/on) for all components.
- contact the Hotline.

N01004 (F, A) Internal software error

Message class: Hardware / software error (1)
Reaction: NONE
Acknowledge: NONE
Cause: An internal software error has occurred.
Fault value (r0949, hexadecimal):
Only for internal Siemens troubleshooting.
Remedy:
- read out diagnostics parameter (r9999).
- contact the Hotline.

F01005 File upload/download error

Message class: Hardware / software error (1)
Reaction: NONE
Acknowledge: IMMEDIATELY
Cause: The upload or download of EEPROM data was unsuccessful.
Fault value (r0949, interpret hexadecimal):
yyxxxx hex: yy = component number, xxxx = fault cause
xxxx = 000B hex = 11 dec:
Power unit component has detected a checksum error.
xxxx = 000F hex = 15 dec:
The selected power unit will not accept the content of the EEPROM file.
xxxx = 0011 hex = 17 dec:
Power unit component has detected an internal access error.
xxxx = 0012 hex = 18 dec:
After several communication attempts, no response from the power unit component.
xxxx = 008B hex = 140 dec:
EEPROM file for the power unit component not available on the memory card.
xxxx = 008D hex = 141 dec:
An inconsistent length of the firmware file was signaled. It is possible that the download/upload has been interrupted.
xxxx = 0090 hex = 144 dec:
When checking the file that was loaded, the component detected a fault (checksum). It is possible that the file on the memory card is defective.
xxxx = 0092 hex = 146 dec:
This SW or HW does not support the selected function.
xxxx = 009C hex = 156 dec:
Component with the specified component number is not available (p7828).
xxxx = Additional values:
Only for internal Siemens troubleshooting.
Remedy: Save a suitable firmware file or EEPROM file for upload or download in folder "/ee_sac/" on the memory card.

A01009 (N) CU: Control module overtemperature

Message class: Overtemperature of the electronic components (6)
Reaction: NONE
Acknowledge: NONE
Cause: The temperature (r0037[0]) of the control module (Control Unit) has exceeded the specified limit value.

Remedy:

- check the air intake for the Control Unit.
- check the Control Unit fan.

Note:
The alarm automatically disappears after the limit value has been undershot.

F01010 Drive type unknown

Message class: Error in the parameterization / configuration / commissioning procedure (18)
Reaction: NONE
Acknowledge: IMMEDIATELY
Cause: An unknown drive type was found.
Remedy:

- replace Power Module.
- carry out a POWER ON (power off/on).
- upgrade firmware to later version.
- contact the Hotline.

F01015 Internal software error

Message class: Hardware / software error (1)
Reaction: OFF2
Acknowledge: POWER ON
Cause: An internal software error has occurred.
Fault value (r0949, interpret decimal):
Only for internal Siemens troubleshooting.
Remedy:

- carry out a POWER ON (power off/on) for all components.
- upgrade firmware to later version.
- contact the Hotline.

A01016 (F) Firmware changed

Message class: Hardware / software error (1)
Reaction: NONE
Acknowledge: NONE
Cause: At least one firmware file in the directory was illegally changed on the non-volatile memory (memory card/device memory) with respect to the version when shipped from the factory.
Alarm value (r2124, interpret decimal):
0: Checksum of one file is incorrect.
1: File missing.
2: Too many files.
3: Incorrect firmware version.
4: Incorrect checksum of the back-up file.
Remedy: For the non-volatile memory for the firmware (memory card/device memory), restore the delivery condition.
Note:
The file involved can be read out using parameter r9925.
The status of the firmware check is displayed using r9926.

A01017 Component lists changed

Message class: Hardware / software error (1)
Reaction: NONE
Acknowledge: NONE
Cause: On the memory card, one file in the directory /SIEMENS/SINAMICS/DATA or /ADDON/SINAMICS/DATA has been illegally changed with respect to that supplied from the factory. No changes are permitted in this directory.
Alarm value (r2124, interpret decimal):
zyx dec: x = Problem, y = Directory, z = File name
x = 1: File does not exist.
x = 2: Firmware version of the file does not match the software version.
x = 3: File checksum is incorrect.
y = 0: Directory /SIEMENS/SINAMICS/DATA/
y = 1: Directory /ADDON/SINAMICS/DATA/

4 Faults and alarms

4.2 List of faults and alarms

z = 0: File MOTARM.ACX
z = 1: File MOTSRM.ACX
z = 2: File MOTSLM.ACX
z = 3: File ENCDATA.ACX
z = 4: File FILTDATA.ACX
z = 5: File BRKDATA.ACX
z = 6: File DAT_BEAR.ACX
z = 7: File CFG_BEAR.ACX

Remedy: For the file on the memory card involved, restore the status originally supplied from the factory.

F01018 Booting has been interrupted several times

Message class: Hardware / software error (1)

Reaction: NONE

Acknowledge: POWER ON

Cause: Module booting was interrupted several times. As a consequence, the module boots with the factory setting.
Possible reasons for booting being interrupted:

- power supply interrupted.
- CPU crashed.
- parameterization invalid.

Remedy: - carry out a POWER ON (power off/on). After switching on, the module reboots from the valid parameterization (if available).

- restore the valid parameterization.

Examples:

a) Carry out a first commissioning, save, carry out a POWER ON (switch-off/switch-on).

b) Load another valid parameter backup (e.g. from the memory card), save, carry out a POWER ON (switch-off/switch-on).

Note:

If the fault situation is repeated, then this fault is again output after several interrupted boots.

A01019 Writing to the removable data medium unsuccessful

Message class: Hardware / software error (1)

Reaction: NONE

Acknowledge: NONE

Cause: The write access to the removable data medium was unsuccessful.

Remedy: Remove and check the removable data medium. Then run the data backup again.

A01020 Writing to RAM disk unsuccessful

Message class: Hardware / software error (1)

Reaction: NONE

Acknowledge: NONE

Cause: A write access to the internal RAM disk was unsuccessful.

Remedy: Adapt the file size for the system logbook to the internal RAM disk (p9930).

A01021 Removable data medium as USB data storage medium from the PC used

Message class: General drive fault (19)

Reaction: NONE

Acknowledge: NONE

Cause: The removable data medium is used as USB data storage medium from a PC

As a consequence, the drive cannot access the removable data medium. When backing up, the configuration data cannot be saved on the removable data medium.

Fault value (r0949, interpret decimal):

1: The know-how protection as well as the copy protection for the removable data medium is active. Backup is inhibited.

2: The configuration data are only backed up in the Control Unit.

See also: r7760 (Write protection/know-how protection status), r9401 (Safely remove memory card status)

Remedy: Deactivate the USB connection to the PC and back up the configuration data.
Note:
The alarm is automatically canceled when disconnecting the USB connection or when removing the removable data medium.
See also: r9401 (Safely remove memory card status)

F01023 Software timeout (internal)

Message class: Hardware / software error (1)
Reaction: NONE
Acknowledge: IMMEDIATELY
Cause: An internal software timeout has occurred.
Fault value (r0949, interpret decimal):
Only for internal Siemens troubleshooting.
Remedy:
- carry out a POWER ON (power off/on) for all components.
- upgrade firmware to later version.
- contact the Hotline.

A01028 (F) Configuration error

Message class: Error in the parameterization / configuration / commissioning procedure (18)
Reaction: NONE
Acknowledge: NONE
Cause: The parameterization that was downloaded was generated with a different module type (Order No., MLFB).
Remedy: Save parameters in a non-volatile fashion (p0971 = 1).

F01030 Sign-of-life failure for master control

Message class: Communication error to the higher-level control system (9)
Reaction: OFF3 (IASC/DCBRK, NONE, OFF1, OFF2, STOP2)
Acknowledge: IMMEDIATELY
Cause: For active PC master control, no sign-of-life was received within the monitoring time.
The master control was returned to the active BICO interconnection.
Remedy: Set the monitoring time higher at the PC or, if required, completely disable the monitoring function.
For the commissioning software, the monitoring time is set as follows:
<Drive> -> Commissioning -> Control panel -> Button "Fetch master control" -> A window is displayed to set the monitoring time in milliseconds.
Notice:
The monitoring time should be set as short as possible. A long monitoring time means a late response when the communication fails!

F01033 Units changeover: Reference parameter value invalid

Message class: Error in the parameterization / configuration / commissioning procedure (18)
Reaction: NONE
Acknowledge: IMMEDIATELY
Cause: When changing over the units to the referred representation type, it is not permissible for any of the required reference parameters to be equal to 0.0
Fault value (r0949, parameter):
Reference parameter whose value is 0.0.
See also: p0505 (Selecting the system of units), p0595 (Technological unit selection)
Remedy: Set the value of the reference parameter to a number different than 0.0.
See also: p0304, p0305, p0310, p0596, p2000, p2001, p2002, p2003, r2004

F01034 Units changeover: Calculation parameter values after reference value change unsuccessful

Message class: Error in the parameterization / configuration / commissioning procedure (18)
Reaction: NONE
Acknowledge: IMMEDIATELY
Cause: The change of a reference parameter meant that for an involved parameter the selected value was not able to be re-calculated in the per unit representation. The change was rejected and the original parameter value restored.

4 Faults and alarms

4.2 List of faults and alarms

Fault value (r0949, parameter):

Parameter whose value was not able to be re-calculated.

See also: p0304, p0305, p0310, p0596, p2000, p2001, p2002, p2003, r2004

Remedy:

- Select the value of the reference parameter such that the parameter involved can be calculated in the per unit representation.

- Technology unit selection (p0595) before changing the reference parameter p0596, set p0595 = 1.

See also: p0304, p0305, p0310, p0596, p2000, p2001, p2002, p2003, r2004

A01035 (F)

ACX: Parameter back-up file corrupted

Message class:

Hardware / software error (1)

Reaction:

NONE

Acknowledge:

NONE

Cause:

When the Control Unit is booted, no complete data set was found from the parameter back-up files. The last time that the parameterization was saved, it was not completely carried out.

It is possible that the backup was interrupted by switching off or withdrawing the memory card.

Alarm value (r2124, interpret hexadecimal):

ddccbbaa hex:

aa = 01 hex:

Power up was realized without data backup. The drive is in the factory setting.

aa = 02 hex:

The last available internal backup data record was loaded. The parameterization must be checked. It is recommended that the parameterization is downloaded again.

aa = 03 hex:

The last available data record from the memory card was loaded. The parameterization must be checked.

aa = 04 hex:

An invalid data backup was loaded from the memory card into the drive. The drive is in the factory setting.

dd, cc, bb:

Only for internal Siemens troubleshooting.

See also: p0971 (Save parameters)

Remedy:

- Download the project again with the commissioning software.

- save all parameters (p0971 = 1 or "copy RAM to ROM").

F01036 (A)

ACX: Parameter back-up file missing

Message class:

Hardware / software error (1)

Reaction:

NONE (OFF1, OFF2, OFF3)

Acknowledge:

IMMEDIATELY

Cause:

When downloading the device parameterization, a parameter back-up file PSxxxxxy.ACX associated with a drive object cannot be found.

Fault value (r0949, interpret hexadecimal):

Byte 1: yyy in the file name PSxxxxxy.ACX

yyy = 000 --> consistency back-up file

yyy = 001 ... 062 --> drive object number

yyy = 099 --> PROFIBUS parameter back-up file

Byte 2, 3, 4:

Only for internal Siemens troubleshooting.

Remedy:

If you have saved the project data using the commissioning software, carry out a new download for your project.

Save using the function "Copy RAM to ROM" or with p0971 = 1

This means that the parameter files are again completely written into the non-volatile memory.

Note:

If the project data have not been backed up, then a new first commissioning is required.

F01038 (A)	ACX: Loading the parameter back-up file unsuccessful
Message class:	Hardware / software error (1)
Reaction:	NONE (OFF1, OFF2, OFF3)
Acknowledge:	IMMEDIATELY
Cause:	An error has occurred when downloading PSxxxxxyy.ACX or PTxxxxxyy.ACX files from the non-volatile memory. Fault value (r0949, interpret hexadecimal): Byte 1: yyy in the file name PSxxxxxyy.ACX yyy = 000 --> consistency back-up file yyy = 001 ... 062 --> drive object number yyy = 099 --> PROFIBUS parameter back-up file Byte 2: 255: Incorrect drive object type. 254: Topology comparison unsuccessful -> drive object type was not able to be identified. Reasons could be: - Incorrect component type in the actual topology - Component does not exist in the actual topology. - Component not active. Additional values: Only for internal Siemens troubleshooting. Byte 4, 3: Only for internal Siemens troubleshooting.
Remedy:	- If you have saved the project data using the commissioning software, download the project again. Save using the function "Copy RAM to ROM" or with p0971 = 1 so that all of the parameter files are again completely written to the non-volatile memory. - replace the memory card or Control Unit.

F01039 (A)	ACX: Writing to the parameter back-up file was unsuccessful
Message class:	Hardware / software error (1)
Reaction:	NONE (OFF1, OFF2, OFF3)
Acknowledge:	IMMEDIATELY
Cause:	Writing to at least one parameter back-up file PSxxxxxyy.*** in the non-volatile memory was unsuccessful. - In the directory /USER/SINAMICS/DATA/ at least one parameter back-up file PSxxxxxyy.*** has the "read only" file attribute and cannot be overwritten. - There is not sufficient free memory space available. - The non-volatile memory is defective and cannot be written to. Fault value (r0949, interpret hexadecimal): dcba hex a = yyy in the file names PSxxxxxyy.*** a = 000 --> consistency back-up file a = 001 ... 062 --> drive object number a = 099 --> PROFIBUS parameter back-up file b = xxx in the file names PSxxxxxyy.*** b = 000 --> data save started with p0971 = 1 b = 010 --> data save started with p0971 = 10 b = 011 --> data save started with p0971 = 11 b = 012 --> data save started with p0971 = 12 d, c: Only for internal Siemens troubleshooting.
Remedy:	- check the file attribute of the files (PSxxxxxyy.***, CAxxxxxyy.***, CCxxxxxyy.***) and, if required, change from "read only" to "writeable". - check the free memory space in the non-volatile memory. Approx. 80 kbyte of free memory space is required for every drive object in the system. - replace the memory card or Control Unit.

F01040 Save parameter settings and carry out a POWER ON

Message class:	Error in the parameterization / configuration / commissioning procedure (18)
Reaction:	OFF2
Acknowledge:	POWER ON
Cause:	A parameter has been changed that requires the parameters to be backed up and the Control Unit to be switched OFF and ON again.
Remedy:	- Save parameters (p0971). - carry out a POWER ON (power off/on) for the Control Unit.

F01042 Parameter error during project download

Message class:	Error in the parameterization / configuration / commissioning procedure (18)
Reaction:	OFF2 (NONE, OFF1, OFF3)
Acknowledge:	IMMEDIATELY
Cause:	An error was detected when downloading a project using the commissioning software (e.g. incorrect parameter value). For the specified parameter, it was detected that dynamic limits were exceeded that may possibly depend on other parameters. Fault value (r0949, interpret hexadecimal): ccbbaaaa hex aaaa = Parameter bb = Index cc = fault cause 0: Parameter number illegal. 1: Parameter value cannot be changed. 2: Lower or upper value limit exceeded. 3: Sub-index incorrect. 4: No array, no sub-index. 5: Data type incorrect. 6: Setting not permitted (only resetting). 7: Descriptive element cannot be changed. 9: Descriptive data not available. 11: No master control. 15: No text array available. 17: Task cannot be executed due to operating state. 20: Illegal value. 21: Response too long. 22: Parameter address illegal. 23: Format illegal. 24: Number of values not consistent. 108: Unit unknown. Additional values: Only for internal Siemens troubleshooting.
Remedy:	- enter the correct value in the specified parameter. - identify the parameter that restricts the limits of the specified parameter.

F01043 Fatal error at project download

Message class:	Error in the parameterization / configuration / commissioning procedure (18)
Reaction:	OFF2 (OFF1, OFF3)
Acknowledge:	IMMEDIATELY
Cause:	A fatal error was detected when downloading a project using the commissioning software. Fault value (r0949, interpret decimal): 1: Device status cannot be changed to Device Download (drive object ON?). 2: Incorrect drive object number. 8: Maximum number of drive objects that can be generated exceeded. 11: Error while generating a drive object (global component).

- 12: Error while generating a drive object (drive component).
- 13: Unknown drive object type.
- 14: Drive status cannot be changed to "ready for operation" (r0947 and r0949).
- 15: Drive status cannot be changed to drive download.
- 16: Device status cannot be changed to "ready for operation".
- 18: A new download is only possible if the factory settings are restored for the drive unit.
- 20: The configuration is inconsistent.
- 21: Error when accepting the download parameters.
- 22: SW-internal download error.
- 100: The download was canceled, because no write requests were received from the commissioning client (e.g. for communication error).

Additional values:

Only for internal Siemens troubleshooting.

- Remedy:**
- use the current version of the commissioning software.
 - modify the offline project and download again (e.g. compare the motor and Power Module in the offline project and on the drive).
 - change the drive state (is a drive rotating or is there a message/signal?).
 - carefully note any other messages/signals and remove their cause.
 - boot from previously saved files (switch-off/switch-on or p0970).

F01044 CU: Descriptive data error

- Message class:** Hardware / software error (1)
Reaction: OFF2
Acknowledge: POWER ON
Cause: An error was detected when loading the descriptive data saved in the non-volatile memory.
Remedy: Replace the memory card or Control Unit.

A01045 Configuring data invalid

- Message class:** Hardware / software error (1)
Reaction: NONE
Acknowledge: NONE
Cause: An error was detected when evaluating the parameter files PSxxxxxyy.ACX, PTxxxxyy.ACX, CAxxxxyy.ACX, or CCxxxxyy.ACX saved in the non-volatile memory. Because of this, under certain circumstances, several of the saved parameter values were not able to be accepted. Also see r9406 up to r9408.
 Alarm value (r2124, interpret hexadecimal):
 Only for internal Siemens troubleshooting.
- Remedy:**
- Check the parameters displayed in r9406 up to r9408, and correct these if required.
 - Restore the factory setting using (p0970 = 1) and re-load the project into the drive unit.
- Then save the parameterization in STARTER using the "Copy RAM to ROM" function or with p0971 = 1. This overwrites the incorrect parameter files in the non-volatile memory – and the alarm is withdrawn.

A01049 It is not possible to write to file

- Message class:** Hardware / software error (1)
Reaction: NONE
Acknowledge: NONE
Cause: It is not possible to write into a write-protected file (PSxxxxxx.acx). The write request was interrupted.
 Alarm value (r2124, interpret decimal):
 Drive object number.
- Remedy:** Check whether the "write protected" attribute has been set for the files in the non-volatile memory under .../USER/SINAMICS/DATA/... When required, remove write protection and save again (e.g. set p0971 to 1).

F01054	CU: System limit exceeded
Message class:	Error in the parameterization / configuration / commissioning procedure (18)
Reaction:	OFF2
Acknowledge:	IMMEDIATELY
Cause:	At least one system overload has been identified. Fault value (r0949, interpret decimal): 1: Computing time load too high (r9976[1]). 5: Peak load too high (r9976[5]). Note: As long as this fault is present, it is not possible to save the parameters (p0971). See also: r9976 (System utilization)
Remedy:	Re fault value = 1, 5: - reduce the computing time load of the drive unit (r9976[1] and r9976[5]) to under 100 %. - check the sampling times and adjust if necessary (p0115, p0799, p4099). - de-activate function modules. - de-activate drive objects. - remove drive objects from the target topology. - note the DRIVE-CLiQ topology rules and if required, change the DRIVE-CLiQ topology. When using the Drive Control Chart (DCC) or free function blocks (FBLOCKS), the following applies - the computing time load of the individual run-time groups on a drive object can be read out in r21005 (DCC) or r20005 (FBLOCKS). - if necessary, the assignment of the run-time group (p21000, p20000) can be changed in order to increase the sampling time (r21001, r20001). - if necessary, reduce the number of cyclically calculated blocks (DCC) and/or function blocks (FBLOCKS).
A01064 (F)	CU: Internal error (CRC)
Message class:	Hardware / software error (1)
Reaction:	NONE
Acknowledge:	NONE
Cause:	CRC error in the Control Unit program memory
Remedy:	- carry out a POWER ON (power off/on) for all components. - upgrade firmware to later version. - contact the Hotline.
A01066	Buffer memory: 70% fill level reached or exceeded
Message class:	General drive fault (19)
Reaction:	NONE
Acknowledge:	NONE
Cause:	The non-volatile buffer memory for parameter changes is filled to at least 70%. This can also occur if the buffer memory is active (p0014 = 1) and parameters are continually changed via a fieldbus system.
Remedy:	If required, de-activate and clear the buffer memory (p0014 = 0). If required, clear the buffer memory (p0014 = 2). In the following cases, the entries in the buffer memory are transferred into the ROM and then the buffer memory is cleared: - p0971 = 1 - power down/power up the Control Unit
A01067	Buffer memory: 100 % fill level reached
Message class:	General drive fault (19)
Reaction:	NONE
Acknowledge:	NONE
Cause:	The non-volatile buffer memory for parameter changes is filled to 100%. All additional parameter changes will no longer be taken into account in the non-volatile buffer memory. However, parameter changes can still be made in the volatile memory (RAM).

This can also occur if the buffer memory is active (p0014 = 1) and parameters are continually changed via a fieldbus system.

Remedy: If required, de-activate and clear the buffer memory (p0014 = 0).
If required, clear the buffer memory (p0014 = 2).
In the following cases, the entries in the buffer memory are transferred into the ROM and then the buffer memory is cleared:

- p0971 = 1
- power down/power up the Control Unit

F01068 CU: Data memory memory overflow

Message class: Error in the parameterization / configuration / commissioning procedure (18)

Reaction: OFF2

Acknowledge: IMMEDIATELY

Cause: The utilization for a data memory area is too large.
Fault value (r0949, interpret binary):
Bit 0 = 1: High-speed data memory 1 overloaded
Bit 1 = 1: High-speed data memory 2 overloaded
Bit 2 = 1: High-speed data memory 3 overloaded
Bit 3 = 1: High-speed data memory 4 overloaded

Remedy:

- de-activate the function module.
- de-activate drive object.
- remove the drive object from the target topology.

A01069 Parameter backup and device incompatible

Message class: Error in the parameterization / configuration / commissioning procedure (18)

Reaction: NONE

Acknowledge: NONE

Cause: The parameter backup on the memory card and the drive unit do not match.
The module boots with the factory settings.
Example:

Devices A and B. are not compatible and a memory card with the parameter backup for device A is inserted in device B.

Remedy:

- insert a memory card with compatible parameter backup and carry out a POWER ON.
- insert a memory card without parameter backup and carry out a POWER ON.
- If required, withdraw the memory card and carry out POWER ON.
- save the parameters (p0971 = 1).

F01072 Memory card restored from the backup copy

Message class: General drive fault (19)

Reaction: NONE

Acknowledge: IMMEDIATELY

Cause: The Control Unit was switched-off while writing to the memory card. This is why the visible partition became defective.

After switching on, the data from the non-visible partition (backup copy) were written to the visible partition.

Remedy: Check that the firmware and parameterization is up-to-date.

A01073 (N) POWER ON required for backup copy on memory card

Message class: General drive fault (19)

Reaction: NONE

Acknowledge: NONE

Cause: The parameter assignment on the visible partition of the memory card has changed.

In order that the backup copy on the memory card is updated on the non-visible partition, it is necessary to carry out a POWER ON or hardware reset (p0972) of the Control Unit.

Note:

It is possible that a new POWER ON is requested via this alarm (e.g. after saving with p0971 = 1).

4 Faults and alarms

4.2 List of faults and alarms

Remedy:

- carry out a POWER ON (power off/on) for the Control Unit.
- carry out a hardware reset (RESET button, p0972).

F01105 (A) CU: Insufficient memory

Message class: Error in the parameterization / configuration / commissioning procedure (18)

Reaction: OFF1

Acknowledge: POWER ON

Cause: Too many data sets are configured on this Control Unit.
Fault value (r0949, interpret decimal):
Only for internal Siemens troubleshooting.

Remedy:

- reduce the number of data sets.

F01107 Save to memory card unsuccessful

Message class: Hardware / software error (1)

Reaction: NONE

Acknowledge: IMMEDIATELY

Cause: A data save to the memory card was not able to be successfully carried out.

- Memory card is defective.
- Insufficient space on memory card.

Fault value (r0949, interpret decimal):

- 1: The file on the RAM was not able to be opened.
- 2: The file on the RAM was not able to be read.
- 3: A new directory could not be created on the memory card.
- 4: A new file could not be created on the memory card.
- 5: A new file could not be written on the memory card.

Remedy:

- try to save again.
- replace the memory card or Control Unit.

F01112 CU: Power unit not permissible

Message class: Error in the parameterization / configuration / commissioning procedure (18)

Reaction: NONE

Acknowledge: IMMEDIATELY

Cause: The connected power unit cannot be used together with this Control Unit.
Fault value (r0949, interpret decimal):

- 1: Power unit is not supported (e.g. PM340).

Remedy:

- Replace the power unit that is not permissible by a component that is permissible.

F01120 (A) Terminal initialization has failed

Message class: Hardware / software error (1)

Reaction: OFF1 (OFF2)

Acknowledge: IMMEDIATELY (POWER ON)

Cause: An internal software error occurred while the terminal functions were being initialized.
Fault value (r0949, interpret hexadecimal):
Only for internal Siemens troubleshooting.

Remedy:

- carry out a POWER ON (power off/on) for all components.
- upgrade firmware to later version.
- contact the Hotline.
- replace the Control Unit.

F01122 (A) Frequency at the measuring probe input too high

Message class: Application / technological function faulted (17)
Reaction: OFF1 (OFF2)
Acknowledge: IMMEDIATELY
Cause: The frequency of the pulses at the measuring probe input is too high.
Fault value (r0949, interpret decimal):
1: DI 1 (term. 6)
2: DI 3 (term. 8)
Remedy: Reduce the frequency of the pulses at the measuring probe input.

F01152 CU: Invalid constellation of drive object types

Message class: Error in the parameterization / configuration / commissioning procedure (18)
Reaction: NONE
Acknowledge: POWER ON
Cause: It is not possible to simultaneously operate drive object types SERVO, VECTOR and HLA.
A maximum of 2 of these drive object types can be operated on a Control Unit.
Remedy:
- power down the unit.
- restrict the use of drive object types SERVO, VECTOR, HLA to a maximum of 2.
- re-commission the unit.

F01205 CU: Time slice overflow

Message class: Hardware / software error (1)
Reaction: OFF2
Acknowledge: POWER ON
Cause: Insufficient computation time.
Fault value (r0949, interpret hexadecimal):
Only for internal Siemens troubleshooting.
Remedy: Contact the Hotline.

F01250 CU: CU-EEPROM incorrect read-only data

Message class: Hardware / software error (1)
Reaction: NONE (OFF2)
Acknowledge: POWER ON
Cause: Error when reading the read-only data of the EEPROM in the Control Unit.
Fault value (r0949, interpret decimal):
Only for internal Siemens troubleshooting.
Remedy:
- carry out a POWER ON.
- replace the Control Unit.

A01251 CU: CU-EEPROM incorrect read-write data

Message class: Hardware / software error (1)
Reaction: NONE
Acknowledge: NONE
Cause: Error when reading the read-write data of the EEPROM in the Control Unit.
Alarm value (r2124, interpret decimal):
Only for internal Siemens troubleshooting.
Remedy: For alarm value r2124 < 256, the following applies:
- carry out a POWER ON.
- replace the Control Unit.
For alarm value r2124 >= 256, the following applies:
- clear the fault memory (p0952 = 0).
- replace the Control Unit.

F01257**CU: Firmware version out of date**

Message class: Error in the parameterization / configuration / commissioning procedure (18)

Reaction: OFF2

Acknowledge: POWER ON

Cause: The Control Unit firmware is too old.
Fault value (r0949, interpret hexadecimal):
bbbbbbaa hex: aa = unsupported component
aa = 01 hex = 1 dec:
The firmware being used does not support the Control Unit.
aa = 02 hex = 2 dec:
The firmware being used does not support the Control Unit.
aa = 03 hex = 3 dec:
The firmware being used does not support the Power Module.
aa = 04 hex = 4 dec:
The firmware being used does not support the Control Unit.

Remedy: Re fault value = 1, 2, 4:
- Upgrade the firmware of the Control Unit.
For fault value = 3:
- Upgrade the firmware of the Control Unit.
- Replace the Power Module by a component that is supported.

F01340**Topology: Too many components on one line**

Message class: Error in the parameterization / configuration / commissioning procedure (18)

Reaction: NONE

Acknowledge: IMMEDIATELY

Cause: For the selected communications clock cycle, too many DRIVE-CLiQ components are connected to one line of the Control Unit.
Fault value (r0949, interpret hexadecimal):
xyy hex: x = fault cause, yy = component number or connection number.
1yy:
The communications clock cycle of the DRIVE-CLiQ connection on the Control Unit is not sufficient for all read transfers.
2yy:
The communications clock cycle of the DRIVE-CLiQ connection on the Control Unit is not sufficient for all write transfers.
3yy:
Cyclic communication is fully utilized.
4yy:
The DRIVE-CLiQ cycle starts before the earliest end of the application. An additional dead time must be added to the control. Sign-of-life errors can be expected.
The conditions of operation with a current controller sampling time of 31.25 µs have not been maintained.
5yy:
Internal buffer overflow for net data of a DRIVE-CLiQ connection.
6yy:
Internal buffer overflow for receive data of a DRIVE-CLiQ connection.
7yy:
Internal buffer overflow for send data of a DRIVE-CLiQ connection.
8yy:
The component clock cycles cannot be combined with one another
900:
The lowest common multiple of the clock cycles in the system is too high to be determined.
901:
The lowest common multiple of the clock cycles in the system cannot be generated with the hardware.

- Remedy:**
- check the DRIVE-CLiQ wiring.
 - Reduce the number of components on the DRIVE-CLiQ line involved and distribute these to other DRIVE-CLiQ sockets of the Control Unit. This means that communication is uniformly distributed over several lines.
- Re fault value = 1yy - 4yy in addition:
- increase the sampling times (p0112, p0115, p4099). If necessary, for DCC or FBLOCKS, change the assignment of the run-time group (p21000, p20000) so that the sampling time (r21001, r20001) is increased.
 - if necessary, reduce the number of cyclically calculated blocks (DCC) and/or function blocks (FBLOCKS).
 - reduce the function modules (r0108).
 - establish the conditions for operation with a current controller sampling time of 31.25 μ s (at the DRIVE-CLiQ line, only operate Motor Modules and Sensor Modules with this sampling time and only use a permitted Sensor Module (e.g. SMC20, this means a 3 at the last position of the order number)).
 - For an NX, the corresponding Sensor Module for a possibly existing second measuring system should be connected to a free DRIVE-CLiQ socket of the NX.
- Re fault value = 8yy in addition:
- check the clock cycles settings (p0112, p0115, p4099). Clock cycles on a DRIVE-CLiQ line must be perfect integer multiples of one another. As clock cycle on a line, all clock cycles of all drive objects in the previously mentioned parameters apply, which have components on the line involved.
- Re fault value = 9yy in addition:
- check the clock cycles settings (p0112, p0115, p4099). The lower the numerical value difference between two clock cycles, the higher the lowest common multiple. This behavior has a significantly stronger influence, the higher the numerical values of the clock cycles.

F01505 (A) BICO: Interconnection cannot be established

Message class: Error in the parameterization / configuration / commissioning procedure (18)

Reaction: NONE

Acknowledge: IMMEDIATELY

Cause: A PROFIdrive telegram has been set (p0922).
An interconnection contained in the telegram was not able to be established.
Fault value (r0949, interpret decimal):
Parameter receiver that should be changed.

Remedy: Establish another interconnection.

F01510 BICO: Signal source is not float type

Message class: Error in the parameterization / configuration / commissioning procedure (18)

Reaction: NONE

Acknowledge: IMMEDIATELY

Cause: The requested connector output does not have the correct data type. This interconnection is not established.
Fault value (r0949, interpret decimal):
Parameter number to which an interconnection should be made (connector output).

Remedy: Interconnect this connector input with a connector output having a float data type.

F01511 (A) BICO: Interconnection with different scalings

Message class: Error in the parameterization / configuration / commissioning procedure (18)

Reaction: NONE

Acknowledge: IMMEDIATELY

Cause: The requested BICO interconnection was established. However, a conversion is made between the BICO output and BICO input using the reference values.
- the BICO output has different normalized units than the BICO input.
- message only for interconnections within a drive object.
Example:
The BICO output has, as normalized unit, voltage and the BICO input has current.
This means that the factor p2002/p2001 is calculated between the BICO output and the BICO input.
p2002: contains the reference value for current
p2001: contains the reference value for voltage
Fault value (r0949, interpret decimal):
Parameter number of the BICO input (signal sink).

Remedy: Not necessary.

4 Faults and alarms

4.2 List of faults and alarms

F01512	BICO: No scaling available
Message class:	Error in the parameterization / configuration / commissioning procedure (18)
Reaction:	OFF2
Acknowledge:	POWER ON
Cause:	An attempt was made to determine a conversion factor for a scaling that does not exist. Fault value (r0949, interpret decimal): Unit (e.g. corresponding to SPEED) for which an attempt was made to determine a factor.
Remedy:	Apply scaling or check the transfer value.

F01513 (N, A)	BICO: Interconnection cross DO with different scalings
Message class:	Error in the parameterization / configuration / commissioning procedure (18)
Reaction:	NONE
Acknowledge:	IMMEDIATELY
Cause:	The requested BICO interconnection was established. However, a conversion is made between the BICO output and BICO input using the reference values. An interconnection is made between different drive objects and the BICO output has different normalized units than the BICO input or the normalized units are the same but the reference values are different. Example 1: BICO output with voltage normalized unit, BICO input with current normalized unit, BICO output and BICO input lie in different drive objects. This means that the factor $p2002/p2001$ is calculated between the BICO output and the BICO input. p2002: contains the reference value for current p2001: contains the reference value for voltage Example 2: BICO output with voltage normalized unit in drive object 1 (DO1), BICO input with voltage normalized unit in drive object 2 (DO2). The reference values for voltage (p2001) of the two drive objects have different values. This means that the factor $p2001(DO1)/p2001(DO2)$ is calculated between the BICO output and the BICO input. p2001: contains the reference value for voltage, drive objects 1, 2 Fault value (r0949, interpret decimal): Parameter number of the BICO input (signal sink).
Remedy:	Not necessary.

A01514 (F)	BICO: Error when writing during a reconnect
Message class:	Error in the parameterization / configuration / commissioning procedure (18)
Reaction:	NONE
Acknowledge:	NONE
Cause:	During a reconnect operation (e.g. while booting or downloading - but can also occur in normal operation) a parameter was not able to be written to. Example: When writing to BICO input with double word format (DWORD), in the second index, the memory areas overlap (e.g. p8861). The parameter is then reset to the factory setting. Alarm value (r2124, interpret decimal): Parameter number of the BICO input (signal sink).
Remedy:	Not necessary.

F01515 (A)	BICO: Writing to parameter not permitted as the master control is active
Message class:	Error in the parameterization / configuration / commissioning procedure (18)
Reaction:	NONE
Acknowledge:	IMMEDIATELY
Cause:	When changing the number of CDS or when copying from CDS, the master control is active.
Remedy:	If required, return the master control and repeat the operation.

A01590 (F)	Drive: Motor maintenance interval expired
Message class:	General drive fault (19)
Reaction:	NONE
Acknowledge:	NONE
Cause:	The selected service/maintenance interval for this motor was reached. Alarm value (r2124, interpret decimal): Motor data set number.
Remedy:	carry out service/maintenance and reset the service/maintenance interval.
F01600	SI P1 (CU): STOP A initiated
Message class:	Safety monitoring channel has identified an error (10)
Reaction:	OFF2
Acknowledge:	IMMEDIATELY (POWER ON)
Cause:	The drive-integrated "Safety Integrated" function on processor 1 has detected an error and initiated a STOP A. - forced checking procedure of the safety shutdown path on processor 1 unsuccessful. - subsequent response to fault F01611 (defect in a monitoring channel). Fault value (r0949, interpret decimal): 0: Stop request from processor 2. 1005: Pulses suppressed although STO not selected and there is no internal STOP A present. 1010: Pulses enabled although STO is selected or an internal STOP A is present. 1011: Internal fault for the pulse enable in the Power Module. 9999: Subsequent response to fault F01611.
Remedy:	- select Safe Torque Off and de-select again. - carry out a POWER ON (power off/on) for all components. - replace Power Module involved. For fault value = 9999: - carry out diagnostics for fault F01611. Note: STO: Safe Torque Off
F01611 (A)	SI P1 (CU): Defect in a monitoring channel
Message class:	Safety monitoring channel has identified an error (10)
Reaction:	NONE (OFF1, OFF2, OFF3)
Acknowledge:	IMMEDIATELY (POWER ON)
Cause:	The drive-integrated "Safety Integrated" function on processor 1 has detected a fault in the crosswise data comparison between the two monitoring channels and has initiated a STOP F. Fault F01600 (SI P1: STOP A initiated) is output as a consequence of this fault. Fault value (r0949, interpret decimal): 0: Stop request from processor 2. 1 ... 999: Number of the cross-compared data that resulted in this fault. This number is also displayed in r9795. 2: SI enable safety functions (p9601, p9801). Crosswise data comparison is only carried out for the supported bits. 3: SI F-DI changeover tolerance time (p9650, p9850). 8: SI PROFIsafe address (p9610, p9810). 9: SI debounce time for STO (p9651, p9851). 1000: Watchdog timer has expired. Within the time of approx. 5 x p9650, alternatively, the following was defined: - Too many signal changes have occurred at the F-DI. - Via PROFIsafe, STO was too frequently initiated (also as subsequent response). 1001, 1002: Initialization error, change timer / check timer. 2000: Status of the STO selection for both monitoring channels are different. 2001: Feedback signals of safe pulse suppression on the two monitoring channels are different. 2002: Statuses of the delay timer SS1 on both monitoring channels are different (status of the timer in p9650/p9850). 2003: Status of the STO terminal for both monitoring channels are different. 6000 ... 6166:

PROFIsafe fault values (PROFIsafe driver for PROFIBUS DP V1/V2 and PROFINET).

For these fault values, the failsafe control signals (failsafe values) are transferred to the safety functions.

6000: An internal software error has occurred (only for internal Siemens troubleshooting).

6064 ... 6071: Error when evaluating the F parameters. The values of the transferred F parameters do not match the expected values in the PROFIsafe driver.

6064: Destination address and PROFIsafe address are different (F_Dest_Add).

6065: Destination address not valid (F_Dest_Add).

6066: Source address not valid (F_Source_Add).

6067: Watchdog time not valid (F_WD_Time).

6068: Incorrect SIL level (F_SIL).

6069: Incorrect F-CRC length (F_CRC_Length).

6070: Incorrect F parameter version (F_Par_Version).

6071: CRC error for the F parameters (CRC1). The transferred CRC value of the F parameters does not match the value calculated in the PROFIsafe driver.

6072: F parameterization is inconsistent.

6165: A communications error was identified when receiving the PROFIsafe telegram. The fault may also occur if an inconsistent or out-of-date PROFIsafe telegram has been received after switching the Control Unit off and on or after plugging in the PROFIBUS/PROFINET cable.

6166: A time monitoring error (timeout) was identified when receiving the PROFIsafe telegram.

Remedy:

Re fault values 1 ... 999 described in "Cause":

- check the cross data comparison that resulted in a STOP F.
- carry out a POWER ON (power off/on).

For fault value = 1000:

- check the wiring of the F-DI (contact problems).
- PROFIsafe: Remove contact problems/faults at the PROFIBUS master/PROFINET controller.
- check the tolerance time F-DI changeover and if required, increase the value (p9650/p9850).

Re fault value = 1001, 1002:

- carry out a POWER ON (power off/on).

Re fault value = 2000, 2001, 2002, 2003:

- check the tolerance time F-DI changeover and if required, increase the value (p9650/p9850).
- check the wiring of the F-DI (contact problems).
- check the causes of the STO selection in r9772.

For fault value = 6000:

- carry out a POWER ON (power off/on).
- upgrade firmware to later version.
- contact the Hotline.
- replace Control Unit.

For fault value = 6064:

- check the setting of the value in the F parameter F_Dest_Add at the PROFIsafe slave.
- check the setting of the PROFIsafe address on processor 1 (p9610) and on processor 2 (p9810).

For fault value = 6065:

- check the setting of the value in the F parameter F_Dest_Add at the PROFIsafe slave. It is not permissible for the destination address to be either 0 or FFFF!

For fault value = 6066:

- check the setting of the value in the F parameter F_Source_Add at the PROFIsafe slave. It is not permissible for the source address to be either 0 or FFFF!

For fault value = 6067:

- check the setting of the value in the F parameter F_WD_Time at the PROFIsafe slave. It is not permissible for the watch time to be 0!

For fault value = 6068:

- check the setting of the value in the F parameter F_SIL at the PROFIsafe slave. The SIL level must correspond to SIL2!

For fault value = 6069:

- check the setting of the value in the F parameter F_CRC_Length at the PROFIsafe slave. The setting of the CRC2 length is 2-byte CRC in the V1 mode and 3-byte CRC in the V2 mode!

For fault value = 6070:

- check the setting of the value in the F parameter F_Par_Version at the PROFIsafe slave. The value for the F parameter version is 0 in the V1 mode and 1 in the V2 mode!

For fault value = 6071:

- check the settings of the values of the F parameters and the F parameter CRC (CRC1) calculated from these at the PROFIsafe slave and, if required, update.

For fault value = 6072:

- check the settings of the values for the F parameters and, if required, correct.

The following combinations are permissible for F parameters F_CRC_Length and F_Par_Version:

F_CRC_Length = 2-byte CRC and F_Par_Version = 0

F_CRC_Length = 3-byte CRC and F_Par_Version = 1

For fault value = 6165:

- if the fault occurs after powering up or after inserting the PROFIBUS/PROFINET cable, acknowledge the fault.

- check the configuration and communication at the PROFIsafe slave.

- check the setting of the value for F parameter F_WD_Time on the PROFIsafe slave and increase if necessary.

- check whether all F parameters of the drive match the F parameters of the F host.

For fault value = 6166:

- check the configuration and communication at the PROFIsafe slave.

- check the setting of the value for F parameter F_WD_Time on the PROFIsafe slave and increase if necessary.

- evaluate diagnostic information in the F host.

- check PROFIsafe connection.

- check whether all F parameters of the drive match the F parameters of the F host.

Re fault values that are described in "Cause":

- carry out a POWER ON (power off/on).

- contact the Hotline.

- replace Control Unit.

Note:

F-DI: Failsafe Digital Input

STO: Safe Torque Off

N01620 (F, A)	SI P1 (CU): Safe Torque Off active
Message class:	Safety monitoring channel has identified an error (10)
Reaction:	NONE
Acknowledge:	NONE
Cause:	The "Safe Torque Off" (STO) function has been selected on processor 1 using the input terminal and is active. Note: This message does not result in a safety stop response.
Remedy:	Not necessary. Note: STO: Safe Torque Off

F01625	SI P1 (CU): Sign-of-life error in safety data
Message class:	Internal (DRIVE-CLiQ) communication error (12)
Reaction:	OFF2
Acknowledge:	IMMEDIATELY (POWER ON)
Cause:	The drive-integrated "Safety Integrated" function on processor 1 has detected an error in the sign-of-life of the safety data and initiated a STOP A. - there is a communication error between processor 1 and processor 2 or communication has failed. - a time slice overflow of the safety software has occurred. Fault value (r0949, interpret decimal): Only for internal Siemens troubleshooting.
Remedy:	- select Safe Torque Off and de-select again. - carry out a POWER ON (power off/on). - check whether additional faults are present and if required, perform diagnostics. - check the electrical cabinet design and cable routing for EMC compliance

F01640 SI P1 (CU): component replacement identified and acknowledgment/save required

Message class:	General drive fault (19)
Reaction:	NONE
Acknowledge:	IMMEDIATELY
Cause:	<p>The "Safety Integrated" function integrated in the drive has identified that a component has been replaced. It is no longer possible to operate the drive.</p> <p>When safety functions are active, after a component has been replaced it is necessary to carry out a partial acceptance test.</p> <p>Fault value (r0949, interpret binary):</p> <p>Bit 0 = 1: It has been identified that the Control Unit has been replaced.</p> <p>Bit 1 = 1: It has been identified that the Motor Module/Hydraulic Module has been replaced.</p> <p>Bit 2 = 1: It has been identified that the Power Module has been replaced.</p> <p>Bit 3 = 1: It has been identified that the Sensor Module channel 1 has been replaced.</p> <p>Bit 4 = 1: It has been identified that the Sensor Module channel 2 has been replaced.</p> <p>Bit 5 = 1: It has been identified that the sensor channel 1 has been replaced.</p> <p>Bit 6 = 1: It has been identified that the sensor channel 2 has been replaced.</p>
Remedy:	<ul style="list-style-type: none">- acknowledge component replacement (p9702 = 29).- save all parameters (p0977 = 1 or p0971 = 1 or "copy RAM to ROM").- acknowledge fault (e.g. BI: p2103). <p>Note:</p> <p>In addition to the fault, diagnostics bits r9776.2 and r9776.3 are set.</p> <p>See also: r9776 (SI diagnostics)</p>

F01641 SI P1 (CU): component replacement identified and save required

Message class:	General drive fault (19)
Reaction:	NONE
Acknowledge:	IMMEDIATELY
Cause:	<p>The "Safety Integrated" function integrated in the drive has identified that a component has been replaced. No additional fault response is initiated, therefore operation of the particular drive is not restricted.</p> <p>When safety functions are active, after a component has been replaced it is necessary to carry out a partial acceptance test.</p> <p>Fault value (r0949, interpret binary):</p> <p>Bit 0 = 1: It has been identified that the Control Unit has been replaced.</p> <p>Bit 1 = 1: It has been identified that the Motor Module/Hydraulic Module has been replaced.</p> <p>Bit 2 = 1: It has been identified that the Power Module has been replaced.</p> <p>Bit 3 = 1: It has been identified that the Sensor Module channel 1 has been replaced.</p> <p>Bit 4 = 1: It has been identified that the Sensor Module channel 2 has been replaced.</p> <p>Bit 5 = 1: It has been identified that the sensor channel 1 has been replaced.</p> <p>Bit 6 = 1: It has been identified that the sensor channel 2 has been replaced.</p>

Remedy:

- save all parameters (p0977 = 1 or p0971 = 1 or "copy RAM to ROM").
- acknowledge fault (e.g. BI: p2103).

See also: r9776 (SI diagnostics)

F01649 **SI P1 (CU): Internal software error**

Message class: Hardware / software error (1)

Reaction: OFF2

Acknowledge: IMMEDIATELY (POWER ON)

Cause: An internal error in the Safety Integrated software on processor 1 has occurred.

Note:
This fault results in a STOP A that cannot be acknowledged.
Fault value (r0949, interpret hexadecimal):
Only for internal Siemens troubleshooting.

Remedy:

- carry out a POWER ON (power off/on).
- re-commission the "Safety Integrated" function and carry out a POWER ON.
- contact the Hotline.
- replace Control Unit.

F01650 **SI P1 (CU): Acceptance test required**

Message class: Safety monitoring channel has identified an error (10)

Reaction: OFF2

Acknowledge: IMMEDIATELY (POWER ON)

Cause: The drive-integrated "Safety Integrated" function on processor 1 requires an acceptance test.

Note:
This fault results in a STOP A that can be acknowledged.
Fault value (r0949, interpret decimal):
130: Safety parameters for processor 2 not available.

Note:
This fault value is always output when Safety Integrated is commissioned for the first time.
1000: Reference and actual checksum on processor 1 are not identical (booting).
- at least one checksum-checked piece of data is defective.
2000: Reference and actual checksum on processor 1 are not identical (commissioning mode).
- reference checksum incorrectly entered on processor 1 (p9799 not equal to r9798).
2001: Reference and actual checksum on processor 2 are not identical (commissioning mode).
- reference checksum incorrectly entered on processor 2 (p9899 not equal to r9898).
2002: Enable of safety-related functions between the processor 1 and processor 2 differ (p9601 not equal to p9801).
2003: Acceptance test is required as a safety parameter has been changed.
2004: An acceptance test is required because a project with enabled safety-functions has been downloaded.
2005: The Safety logbook has identified that a functional safety checksum has changed. An acceptance test is required.
2020: Error when saving the safety parameters for the processor 2.
9999: Subsequent response of another safety-related fault that occurred when booting that requires an acceptance test.

Remedy:

For fault value = 130:

- carry out safety commissioning routine.

For fault value = 1000:

- again carry out safety commissioning routine.
- replace the memory card or Control Unit.
- Using STARTER, activate the safety parameters for the drive involved (change settings, copy parameters, activate settings).

For fault value = 2000:

- check the safety parameters on processor 1 and adapt the reference checksum (p9799).

For fault value = 2001:

- check the safety parameters on processor 2 and adapt the reference checksum (p9899).

For fault value = 2002:

- enable the safety-related functions on processor 1 and check processor 2 (p9601 = p9801).

Re fault value = 2003, 2004, 2005:

- Carry out an acceptance test and generate an acceptance report.

The fault with fault value 2005 can only be acknowledged when the "STO" function is de-selected.

For fault value = 2020:

- again carry out safety commissioning routine.
- replace the memory card or Control Unit.

For fault value = 9999:

- carry out diagnostics for the other safety-related fault that is present.

Note:

STO: Safe Torque Off

See also: p9799 (SI setpoint checksum SI parameters (processor 1)), p9899 (SI setpoint checksum SI parameters (processor 2))

F01651	SI P1 (CU): Synchronization safety time slices unsuccessful
Message class:	Hardware / software error (1)
Reaction:	OFF2
Acknowledge:	IMMEDIATELY (POWER ON)
Cause:	The "Safety Integrated" function requires synchronization of the safety time slices between processor 1 and processor 2. This synchronization was unsuccessful. Note: This fault results in a STOP A that cannot be acknowledged. Fault value (r0949, interpret decimal): Only for internal Siemens troubleshooting.
Remedy:	Carry out a POWER ON (power off/on).
<hr/>	
F01653	SI P1 (CU): PROFIBUS/PROFINET configuration error
Message class:	Error in the parameterization / configuration / commissioning procedure (18)
Reaction:	NONE (OFF1, OFF2, OFF3)
Acknowledge:	IMMEDIATELY (POWER ON)
Cause:	There is a PROFIBUS/PROFINET configuration error for using Safety Integrated monitoring functions with a higher-level control. Note: For safety functions that have been enabled, this fault results in a STOP A that cannot be acknowledged. Fault value (r0949, interpret decimal): 200: A safety slot for receive data from the control has not been configured. 210, 220: The configured safety slot for the receive data from the control has an unknown format. 230: The configured safety slot for the receive data from the F-PLC has the incorrect length. 231: The configured safety slot for the receive data from the F-PLC has the incorrect length. 250: A PROFIsafe slot is configured in the higher-level F control, however PROFIsafe is not enabled in the drive. 300: A safety slot for the send data to the control has not been configured. 310, 320: The configured safety slot for the send data to the control has an unknown format. 330: The configured safety slot for the send data to the F-PLC has the incorrect length. 331: The configured safety slot for the send data to the F-PLC has the incorrect length.
Remedy:	The following generally applies: - check and, if necessary, correct the PROFIBUS/PROFINET configuration of the safety slot on the master side. - upgrade the Control Unit software. For fault value = 250: - remove the PROFIsafe configuring in the higher-level F control or enable PROFIsafe in the drive. Re fault value = 231, 331: - configure PROFIsafe telegram 30 in the F-PLC.

A01654 (F)	SI P1 (CU): Deviating PROFIsafe configuration
Message class:	Error in the parameterization / configuration / commissioning procedure (18)
Reaction:	NONE
Acknowledge:	NONE
Cause:	The configuration of a PROFIsafe telegram in the higher-level control (F-PLC) does not match the parameterization in the drive. Note: This message does not result in a safety stop response. Alarm value (r2124, interpret decimal): 1: A PROFIsafe telegram is configured in the higher-level control, however PROFIsafe is not enabled in the drive (p9601.3). 2: PROFIsafe is parameterized in the drive; however, a PROFIsafe telegram has not been configured in the higher-level control.
Remedy:	The following generally applies: - check and, if necessary, correct the PROFIsafe configuration in the higher-level control. Re alarm value = 1: - remove the PROFIsafe configuring in the higher-level F control or enable PROFIsafe in the drive. Re alarm value = 2: - configure the PROFIsafe telegram to match the parameterization in the higher-level F-control.

F01655	SI P1 (CU): Align monitoring functions
Message class:	Error in the parameterization / configuration / commissioning procedure (18)
Reaction:	OFF2
Acknowledge:	IMMEDIATELY (POWER ON)
Cause:	An error has occurred when aligning the Safety Integrated monitoring functions on processor 1 and processor 2. No common set of supported SI monitoring functions was able to be determined. - there is a communication error between processor 1 and processor 2 or communication has failed. Note: This fault results in a STOP A that cannot be acknowledged. Fault value (r0949, interpret hexadecimal): Only for internal Siemens troubleshooting.
Remedy:	- carry out a POWER ON (power off/on). - check the electrical cabinet design and cable routing for EMC compliance

F01656	SI P1 (CU): Parameter processor 2 error
Message class:	Hardware / software error (1)
Reaction:	OFF2
Acknowledge:	IMMEDIATELY (POWER ON)
Cause:	When accessing the Safety Integrated parameters for the processor 2 in the non-volatile memory, an error has occurred. Note: This fault results in a STOP A that can be acknowledged. Fault value (r0949, interpret decimal): 129: Safety parameters for processor 2 corrupted. 131: Internal software error 132: Communication errors when uploading or downloading the safety parameters. 255: Internal software error on the Control Unit.
Remedy:	- re-commission the safety functions. - replace the memory card or Control Unit. For fault value = 129: - activate the safety commissioning mode (p0010 = 95). - adapt the PROFIsafe address (p9610). - start the copy function for SI parameters (p9700 = D0 hex). - acknowledge data change (p9701 = DC hex).

4 Faults and alarms

4.2 List of faults and alarms

- exit the safety commissioning mode (p0010 = 0).
- save all parameters (p0971 = 1 or "copy RAM to ROM").
- carry out a POWER ON (power off/on) for the Control Unit.

For fault value = 132:

- check the electrical cabinet design and cable routing for EMC compliance

F01658	SI P1 (CU): PROFIsafe telegram number not suitable
Message class:	Error in the parameterization / configuration / commissioning procedure (18)
Reaction:	OFF2
Acknowledge:	IMMEDIATELY (POWER ON)
Cause:	The PROFIsafe telegram number in p60022 is unsuitable for the enabled safety functions. Possible causes: <ul style="list-style-type: none">- When PROFIsafe is not enabled (p9601.3 = 0), then it is not permissible to select a PROFIsafe telegram in p60022.- When PROFIsafe is enabled (p9601.3 = 1), then a PROFIsafe telegram must be selected in p60022. Note: This fault does not result in a safety stop response. See also: p9601 (SI enable functions integrated in the drive (processor 1)), p60022 (PROFIsafe telegram selection)
Remedy:	Select the telegram number that matches the Safety functions that have been enabled.

F01659	SI P1 (CU): Write request for parameter rejected
Message class:	Error in the parameterization / configuration / commissioning procedure (18)
Reaction:	OFF2
Acknowledge:	IMMEDIATELY (POWER ON)
Cause:	The write request for one or several Safety Integrated parameters on processor 1 was rejected. Note: This fault does not result in a safety stop response. Fault value (r0949, interpret decimal): <ol style="list-style-type: none">1: The Safety Integrated password is not set.2: A reset of the drive parameters was selected. However, the Safety Integrated parameters were not reset, as Safety Integrated is presently enabled.3: The interconnected STO input is in the simulation mode.10: An attempt was made to enable the STO function although this cannot be supported.14: An attempt was made to enable the PROFIsafe communications although this cannot be supported.15: An attempt was made to enable the motion monitoring functions integrated in the drive although these cannot be supported.18: An attempt was made to enable the PROFIsafe function for Basic Functions although this cannot be supported.20: An attempt was made to simultaneously enable both the drive-integrated motion monitoring functions via integrated F-DI and STO via terminals, even though these cannot be supported at the same time.21: An attempt was made to enable the Safety Integrated functions although these cannot be supported by the connected Power Module.26: At a digital input of the Control Unit, an attempt was made to activate the simulation mode (p0795), which is used by Safety Integrated (p10049). See also: p0970 (Reset drive parameters), p3900 (Completion of quick commissioning), r9771 (SI common functions (processor 1)), r9871 (SI common functions (processor 2))
Remedy:	For fault value = 1: <ul style="list-style-type: none">- set the Safety Integrated password (p9761). For fault value = 2: <ul style="list-style-type: none">- Inhibit Safety Integrated (p9501, p9601) or reset safety parameters (p0970 = 5), then reset the drive parameters again. For fault value = 3: <ul style="list-style-type: none">- end the simulation mode for the digital input (p0795). Re fault value = 10, 14, 15, 18, 20: <ul style="list-style-type: none">- check whether there are faults in the safety function alignment (F01655, F30655) and if required, carry out diagnostics for the faults involved.- use a Control Unit that supports the required function. For fault value = 21: <ul style="list-style-type: none">- use a Power Module that supports the Safety Integrated functions.

For fault value = 26:

- check whether p10049 is set. Also check p10006 and p10009. Check whether in p10046, p10047 a test top of the FDO with a read back input is parameterized.

Note:

STO: Safe Torque Off

See also: p9601 (SI enable functions integrated in the drive (processor 1)), p9761 (SI password input), p9801 (SI enable functions integrated in the drive (processor 2))

F01660 SI P1 (CU): Safety-related functions not supported

Message class: Error in the parameterization / configuration / commissioning procedure (18)

Reaction: OFF2

Acknowledge: IMMEDIATELY (POWER ON)

Cause: The Power Module does not support the safety-related functions. Safety Integrated cannot be commissioned.

Note:

This fault does not result in a safety stop response.

Remedy: - use a Power Module that supports the safety-related functions.

F01662 Error internal communications

Message class: Hardware / software error (1)

Reaction: OFF2

Acknowledge: POWER ON

Cause: A module-internal communication error has occurred.

Fault value (r0949, interpret hexadecimal):

Only for internal Siemens troubleshooting.

Remedy: - carry out a POWER ON (power off/on).

- upgrade firmware to later version.

- contact the Hotline.

F01663 SI P1 (CU): Copying the SI parameters rejected

Message class: Error in the parameterization / configuration / commissioning procedure (18)

Reaction: OFF2

Acknowledge: IMMEDIATELY (POWER ON)

Cause: In p9700, the value 208 is saved or was entered offline.

This is the reason that when booting, an attempt is made to copy SI parameters from processor 1 to processor 2.

However, no safety-relevant function has been selected on processor 1 (p9601 = 0). This is the reason that copying is not possible.

Note:

This fault does not result in a safety stop response.

See also: p9700 (SI copy function)

Remedy: - Set p9700 to 0.

- Check p9601 and if required, correct.

- Restart the copying function by entering the corresponding value into p9700.

F01665 SI P1 (CU): System is defective

Message class: Hardware / software error (1)

Reaction: OFF2

Acknowledge: IMMEDIATELY

Cause: A system defect was detected before the last boot or in the actual one. The system might have been rebooted (reset).

Fault value (r0949, interpret hexadecimal):

200000 hex, 400000 hex, 8000yy hex (yy any):

- Fault in the actual booting/operation.

Additional values:

- defect before the last time that the system booted.

4 Faults and alarms

4.2 List of faults and alarms

Remedy:

- carry out a POWER ON (power off/on).
- upgrade firmware to later version.
- contact the Hotline.

Re fault value = 200000 hex, 400000 hex, 8000yy hex (yy any):

- ensure that the Control Unit is connected to the Power Module.

A01693 (F) SI P1 (CU): Safety parameter setting changed, POWER ON required

Message class: Error in the parameterization / configuration / commissioning procedure (18)

Reaction: NONE

Acknowledge: NONE

Cause: Safety parameters have been changed; these will only take effect following a POWER ON.

Notice:

All changed parameters of the safety motion monitoring functions will only take effect following a POWER ON.

Alarm value (r2124, interpret decimal):

Parameter number of the safety parameter which has changed, necessitating a POWER ON.

Remedy:

- execute the function "Copy RAM to ROM".
- carry out a POWER ON (power off/on).

A01698 (F) SI P1 (CU): Commissioning mode active

Message class: General drive fault (19)

Reaction: NONE

Acknowledge: NONE

Cause: The commissioning of the "Safety Integrated" function is selected.

This message is withdrawn after the safety functions have been commissioned.

Note:

- This message does not result in a safety stop response.

- In the safety commissioning mode, the "STO" function is internally selected.

See also: p0010 (Drive commissioning parameter filter)

Remedy: Not necessary.

A01699 (F) SI P1 (CU): Shutdown path must be tested

Message class: Safety monitoring channel has identified an error (10)

Reaction: NONE

Acknowledge: NONE

Cause: The time set in p9659 for the forced checking procedure of the safety shutdown paths has been exceeded. The safety shutdown paths must be re-tested.

After the next time the "STO" function is de-selected, the message is withdrawn and the monitoring time is reset.

Note:

- This message does not result in a safety stop response.

- The test must be performed within a defined, maximum time interval (p9659, maximum of 9000 hours) in order to comply with the requirements as laid down in the standards for timely fault detection and the conditions to calculate the failure rates of safety functions (PFH value).

Operation beyond this maximum time period is permissible if it can be ensured that the forced checking procedure is performed before persons enter the hazardous area and who are depending on the safety functions correctly functioning.

See also: p9659 (SI forced checking procedure timer)

Remedy: Select STO and then de-select again.

Note:

STO: Safe Torque Off

A01788	Automatic test stop: wait for STO deselection via SMM
Message class:	Safety monitoring channel has identified an error (10)
Reaction:	NONE
Acknowledge:	NONE
Cause:	The STO function is selected via Safety Extended Functions or a safety message is present, which results in STO. The automatic test stop was not able to be carried out since the power up. The automatic test stop is performed after deselecting STO.
Remedy:	Deselect STO via Safety Extended Functions. Remove the cause of the safety message and acknowledge the fault.
A01796 (F, N)	SI P1 (CU): Wait for communication
Message class:	Communication error to the higher-level control system (9)
Reaction:	NONE
Acknowledge:	NONE
Cause:	The drive waits for communication to be established to execute the safety-relevant motion monitoring functions. Note: In this state, the pulses are safely suppressed. Alarm value (r2124, interpret decimal): 3: Wait for communication to be established to PROFIsafe F-Host.
Remedy:	If, after a longer period of time, the message is not automatically withdrawn, the following checks have to be made: - Check any other PROFIsafe communication messages/signals present and evaluate them. - check the operating state of the F-Host. - Check the communication connection to the F Host. See also: p9601 (SI enable functions integrated in the drive (processor 1)), p9801 (SI enable functions integrated in the drive (processor 2))
A01900 (F)	PROFIBUS: Configuration telegram error
Message class:	Error in the parameterization / configuration / commissioning procedure (18)
Reaction:	NONE
Acknowledge:	NONE
Cause:	A PROFIBUS master attempts to establish a connection using an incorrect configuring telegram. Alarm value (r2124, interpret decimal): 2: Too many PZD data words for input or output. The number of possible PZD is specified by the number of indices in r2050/p2051. 3: Uneven number of bytes for input or output. 211: Unknown parameterizing block. 501: PROFIsafe parameter error (e.g. F_dest). Additional values: Only for internal Siemens troubleshooting.
Remedy:	Check the bus configuration on the master and the slave sides. Re alarm value = 2: Check the number of data words for input and output. Re alarm value = 211: Ensure offline version <= online version. Re alarm value = 501: Check the set PROFIsafe address (p9610).
F01910 (N, A)	Fieldbus interface setpoint timeout
Message class:	Communication error to the higher-level control system (9)
Reaction:	OFF3 (IASC/DCBRK, NONE, OFF1, OFF2, STOP2)
Acknowledge:	IMMEDIATELY
Cause:	The reception of setpoints from the fieldbus interface has been interrupted. - bus connection interrupted. - communication partner switched off.

4 Faults and alarms

4.2 List of faults and alarms

For PROFIBUS:

- PROFIBUS master set into the STOP state.

See also: p2040 (Fieldbus interface monitoring time), p2047 (PROFIBUS additional monitoring time)

Remedy:

Ensure bus connection has been established and switch on communication peer.

- if required, adapt p2040.

For PROFIBUS:

- set the PROFIBUS master to the RUN state.

- slave redundancy: For operation on a Y link, it must be ensured that "DP alarm mode = DPV1" is set in the slave parameterization.

A01920 (F)**PROFIBUS: Interruption cyclic connection**

Message class: Communication error to the higher-level control system (9)

Reaction: NONE

Acknowledge: NONE

Cause: The cyclic connection to the PROFIBUS master is interrupted.

Remedy: Establish the PROFIBUS connection and activate the PROFIBUS master in the cyclic mode.

Note:

If there is no communication to a higher-level control system, then p2030 should be set = 0 to suppress this message.

See also: p2030 (Field bus int protocol selection)

A01945**PROFIBUS: Connection to the Publisher failed**

Message class: Communication error to the higher-level control system (9)

Reaction: NONE

Acknowledge: NONE

Cause: For PROFIBUS peer-to-peer data transfer, the connection to at least one Publisher has failed.

Alarm value (r2124, interpret binary):

Bit 0 = 1: Publisher with address in r2077[0], connection failed.

...

Bit 15 = 1: Publisher with address in r2077[15], connection failed.

Remedy:

Check the PROFIBUS cables.

See also: r2077 (PROFIBUS diagnostics peer-to-peer data transfer addresses)

F01946 (A)**PROFIBUS: Connection to the Publisher aborted**

Message class: Communication error to the higher-level control system (9)

Reaction: OFF1 (NONE, OFF2, OFF3)

Acknowledge: IMMEDIATELY (POWER ON)

Cause: The connection to at least one Publisher for PROFIBUS peer-to-peer data transfer in cyclic operation has been aborted.

Fault value (r0949, interpret binary):

Bit 0 = 1: Publisher with address in r2077[0], connection aborted.

...

Bit 15 = 1: Publisher with address in r2077[15], connection aborted.

Remedy:

- check the PROFIBUS cables.

- check the state of the Publisher that has the aborted connection.

See also: r2077 (PROFIBUS diagnostics peer-to-peer data transfer addresses)

F01951**CU SYNC: Synchronization application clock cycle missing**

Message class: Internal (DRIVE-CLiQ) communication error (12)

Reaction: OFF2 (NONE)

Acknowledge: IMMEDIATELY (POWER ON)

Cause: Internal synchronization of the application cycles unsuccessful.

Fault value (r0949, interpret decimal):

Only for internal Siemens troubleshooting.

Remedy:

- carry out a POWER ON (power off/on) for all components.

- upgrade the Control Unit software.

A01953	CU SYNC: Synchronization not completed
Message class:	Internal (DRIVE-CLiQ) communication error (12)
Reaction:	NONE
Acknowledge:	NONE
Cause:	After the drive system was powered up, synchronization between the basic clock cycle and application clock cycle was started but was not completed within the selected time tolerance. Alarm value (r2124, interpret decimal): Only for internal Siemens troubleshooting.
Remedy:	Carry out a POWER ON (power off/on).

A02050	Trace: Start not possible
Message class:	Error in the parameterization / configuration / commissioning procedure (18)
Reaction:	NONE
Acknowledge:	NONE
Cause:	The trace has already been started.
Remedy:	Stop the trace and, if necessary, start again.

A02051	Trace: recording not possible as a result of know-how protection
Message class:	Error in the parameterization / configuration / commissioning procedure (18)
Reaction:	NONE
Acknowledge:	NONE
Cause:	TRACE recording is not possible as at least one signal or trigger signal being used is under know-how protection. Alarm value (r2124, interpret decimal): 1: Recorder 0 2: Recorder 1 3: Recorders 0 and 1
Remedy:	- Temporarily activate or deactivate know-how protection (p7766). - Include the signal in the OEM exception list (p7763, p7764). - Where relevant do not record of the signal. See also: p7763 (KHP OEM exception list number of indices for p7764), p7764 (KHP OEM exception list)

A02055	Trace: Recording time too short
Message class:	Error in the parameterization / configuration / commissioning procedure (18)
Reaction:	NONE
Acknowledge:	NONE
Cause:	The trace duration is too short. The minimum is twice the value of the trace clock cycle.
Remedy:	Check the selected recording time and, if necessary, adjust.

A02056	Trace: Recording cycle too short
Message class:	Error in the parameterization / configuration / commissioning procedure (18)
Reaction:	NONE
Acknowledge:	NONE
Cause:	The selected recording clock cycle is lower than the basic clock cycle 500µs.
Remedy:	Increase the value for the trace cycle.

A02057	Trace: Time slice clock cycle invalid
Message class:	Error in the parameterization / configuration / commissioning procedure (18)
Reaction:	NONE
Acknowledge:	NONE
Cause:	The time slice clock cycle selected does not match any of the existing time slices.
Remedy:	Enter an existing time slice clock cycle. The existing time slices can be read out via p7901.

4 Faults and alarms

4.2 List of faults and alarms

A02058	Trace: Time slice clock cycle for endless trace not valid
Message class:	Error in the parameterization / configuration / commissioning procedure (18)
Reaction:	NONE
Acknowledge:	NONE
Cause:	The selected time slice clock cycle cannot be used for the endless trace
Remedy:	Enter the clock cycle of an existing time slice with a cycle time ≥ 2 ms for up to 4 recording channels or ≥ 4 ms from 5 recording channels per trace. The existing time slices can be read out via p7901.

A02059	Trace: Time slice clock cycle for 2 x 8 recording channels not valid
Message class:	Error in the parameterization / configuration / commissioning procedure (18)
Reaction:	NONE
Acknowledge:	NONE
Cause:	The selected time slice clock cycle cannot be used for more than 4 recording channels.
Remedy:	Enter the clock cycle of an existing time slice with a cycle time ≥ 4 ms or reduce the number of recording channels to 4 per trace. The existing time slices can be read out via p7901.

A02060	Trace: Signal to be traced missing
Message class:	Error in the parameterization / configuration / commissioning procedure (18)
Reaction:	NONE
Acknowledge:	NONE
Cause:	- a signal to be traced was not specified. - the specified signals are not valid.
Remedy:	- specify the signal to be traced. - check whether the relevant signal can be traced.

A02061	Trace: Invalid signal
Message class:	Error in the parameterization / configuration / commissioning procedure (18)
Reaction:	NONE
Acknowledge:	NONE
Cause:	- the specified signal does not exist. - the specified signal can no longer be traced (recorded).
Remedy:	- specify the signal to be traced. - check whether the relevant signal can be traced.

A02062	Trace: Invalid trigger signal
Message class:	Error in the parameterization / configuration / commissioning procedure (18)
Reaction:	NONE
Acknowledge:	NONE
Cause:	- a trigger signal was not specified. - the specified signal does not exist. - the specified signal is not a fixed-point signal. - the specified signal cannot be used as a trigger signal for the trace.
Remedy:	Specify a valid trigger signal.

A02063	Trace: Invalid data type
Message class:	Error in the parameterization / configuration / commissioning procedure (18)
Reaction:	NONE
Acknowledge:	NONE
Cause:	The specified data type to select a signal using a physical address is invalid.
Remedy:	Use a valid data type.

A02070	Trace: Parameter cannot be changed
Message class:	Error in the parameterization / configuration / commissioning procedure (18)
Reaction:	NONE
Acknowledge:	NONE
Cause:	The trace parameter settings cannot be changed when the trace is active.
Remedy:	- stop the trace before parameterization. - if required, start the trace.
A02075	Trace: Pretrigger time too long
Message class:	Error in the parameterization / configuration / commissioning procedure (18)
Reaction:	NONE
Acknowledge:	NONE
Cause:	The selected pretrigger time must be shorter than the trace time.
Remedy:	Check the pretrigger time setting and change if necessary.
F02080	Trace: Parameterization deleted due to unit changeover
Message class:	Error in the parameterization / configuration / commissioning procedure (18)
Reaction:	NONE
Acknowledge:	IMMEDIATELY
Cause:	The trace parameterization in the drive unit was deleted due to a unit changeover or a change in the reference parameters.
Remedy:	Restart trace.
A02095	MTrace 0: multiple trace cannot be activated
Message class:	Error in the parameterization / configuration / commissioning procedure (18)
Reaction:	NONE
Acknowledge:	NONE
Cause:	The following functions or settings are not permissible in conjunction with a multiple trace (trace recorder 0): - measuring function - long-time trace - trigger condition "immediate recording start" (IMMEDIATE) - trigger condition "start with function generator" (FG_START)
Remedy:	- if required, deactivate the multiple trace (p4840[0] = 0). - deactivate function or setting that is not permissible
A02096	MTrace 0: cannot be saved
Message class:	Error in the parameterization / configuration / commissioning procedure (18)
Reaction:	NONE
Acknowledge:	NONE
Cause:	It is not possible to save the measurement results of a multiple trace on the memory card (trace recorder 0). A multiple trace is not started or is canceled. Alarm value (r2124, interpret decimal): 1: Memory card cannot be accessed. - card is not inserted or is blocked by a mounted USB drive. 3: data save operation too slow. - a second trace has been completed before the measurement results of the first trace were able to be saved. - writing the measurement result files to the card is blocked by the parameter save. 4: Data save operation canceled. - for instance, the file required for the data save operation was not able to be found.
Remedy:	- insert or remove the memory card. - use a larger memory card. - configure a longer trace time or use an endless trace. - avoid saving parameters while a multiple trace is running. - check whether other functions are presently accessing measurement result files.

A02097 MTrace 1: multiple trace cannot be activated

Message class:	Error in the parameterization / configuration / commissioning procedure (18)
Reaction:	NONE
Acknowledge:	NONE
Cause:	The following functions or settings are not permissible in conjunction with a multiple trace (trace recorder 1): <ul style="list-style-type: none">- measuring function- long-time trace- trigger condition "immediate recording start" (IMMEDIATE)- trigger condition "start with function generator" (FG_START)
Remedy:	<ul style="list-style-type: none">- if required, deactivate the multiple trace (p4840[1] = 0).- deactivate function or setting that is not permissible

A02098 MTrace 1: cannot be saved

Message class:	Error in the parameterization / configuration / commissioning procedure (18)
Reaction:	NONE
Acknowledge:	NONE
Cause:	It is not possible to save the measurement results of a multiple trace on the memory card (trace recorder 1). A multiple trace is not started or is canceled. Alarm value (r2124, interpret decimal): 1: Memory card cannot be accessed. <ul style="list-style-type: none">- card is not inserted or is blocked by a mounted USB drive. 3: data save operation to slow. <ul style="list-style-type: none">- a second trace has been completed before the measurement results of the first trace were able to be saved.- writing the measurement result files to the card is blocked by the parameter save. 4: Data save operation canceled. <ul style="list-style-type: none">- for instance, the file required for the data save operation was not able to be found.
Remedy:	<ul style="list-style-type: none">- insert or remove the memory card.- use a larger memory card.- configure a longer trace time or use an endless trace.- avoid saving parameters while a multiple trace is running.- check whether other functions are presently accessing measurement result files.

A02099 Trace: Insufficient Control Unit memory

Message class:	Error in the parameterization / configuration / commissioning procedure (18)
Reaction:	NONE
Acknowledge:	NONE
Cause:	The memory space still available on the Control Unit is no longer sufficient for the trace function.
Remedy:	Reduce the memory required, e.g. as follows: <ul style="list-style-type: none">- reduce the trace time.- increase the trace clock cycle.- reduce the number of signals to be traced.

A02150 OA: Application cannot be loaded

Message class:	Hardware / software error (1)
Reaction:	NONE
Acknowledge:	NONE
Cause:	The system was not able to load an OA application. Alarm value (r2124, interpret hexadecimal): 16: The interface version in the DCB user library is not compatible to the DCC standard library that has been loaded. Only for internal Siemens troubleshooting.
Remedy:	<ul style="list-style-type: none">- carry out a POWER ON (power off/on) for all components.- upgrade firmware to later version.- contact the Hotline.

Re alarm value = 16:
Load a compatible DCB user library (compatible to the interface of the DCC standard library).
Note:
OA: Open Architecture

F02151 (A) OA: Internal software error

Message class: Hardware / software error (1)
Reaction: OFF2 (NONE, OFF1, OFF3)
Acknowledge: IMMEDIATELY (POWER ON)
Cause: An internal software error has occurred within an OA application.
Fault value (r0949, interpret hexadecimal):
Only for internal Siemens troubleshooting.

Remedy:

- carry out a POWER ON (power off/on) for all components.
- upgrade firmware to later version.
- contact the Hotline.
- replace the Control Unit.

Note:
OA: Open Architecture

F02152 (A) OA: Insufficient memory

Message class: Hardware / software error (1)
Reaction: OFF1
Acknowledge: IMMEDIATELY (POWER ON)
Cause: Too many functions have been configured on this Control Unit (e.g. too many drives, function modules, data sets, OA applications, blocks, etc).
Fault value (r0949, interpret decimal):
Only for internal Siemens troubleshooting.

Remedy:

- change the configuration on this Control Unit (e.g. fewer drives, function modules, data sets, OA applications, blocks, etc).
- use an additional Control Unit.

Note:
OA: Open Architecture

F03000 NVRAM fault on action

Message class: Hardware / software error (1)
Reaction: NONE
Acknowledge: IMMEDIATELY
Cause: A fault occurred during execution of action p7770 = 1 or 2 for the NVRAM data.
Fault value (r0949, interpret hexadecimal):
yyxx hex: yy = fault cause, xx = application ID
yy = 1:
The action p7770 = 1 is not supported by this version if Drive Control Chart (DCC) is activated for the drive object concerned.
yy = 2:
The data length of the specified application is not the same in the NVRAM and the backup.
yy = 3:
The data checksum in p7774 is not correct.
yy = 4:
No data available to load.

Remedy:

- Perform the remedy according to the results of the troubleshooting.
- If necessary, start the action again.

F03001 NVRAM checksum incorrect

Message class: Hardware / software error (1)
Reaction: NONE
Acknowledge: IMMEDIATELY
Cause: A checksum error occurred when evaluating the non-volatile data (NVRAM) on the Control Unit.
The NVRAM data affected was deleted.
Remedy: Carry out a POWER ON (power off/on) for all components.

F03505 (N, A) Analog input wire breakage

Message class: External measured value / signal state outside the permissible range (16)
Reaction: OFF1 (NONE, OFF2)
Acknowledge: IMMEDIATELY (POWER ON)
Cause: The wire-break monitoring for an analog input has responded.
The input current of the analog input has undershot the threshold value parameterized in p0761[0...3].
p0756[0]: analog input 0 (only CU240D-2)
p0756[1]: analog input 1 (only CU240D-2)
Fault value (r0949, interpret decimal):
yxxx dec
y = analog input (0 = analog input 0 (AI 0), 1 = analog input 1 (AI 1))
xxx = component number (p0151)
Note:
For the following analog input type, the wire breakage monitoring is active:
p0756[0...1] = 1 (2 ... 10 V with monitoring)
Remedy: Check the connection to the signal source for interruptions.
Check the magnitude of the injected current - it is possible that the infed signal is too low.
The input current measured by the analog input can be read in r0752[x].

A03510 (F, N) Calibration data not plausible

Message class: Hardware / software error (1)
Reaction: NONE
Acknowledge: NONE
Cause: During booting, the calibration data for the analog inputs is read and checked with respect to plausibility.
At least one calibration data point was determined to be invalid.
Remedy: - power down/power up the power supply for the Control Unit.
Note:
If it reoccurs, then replace the module.
In principle, operation could continue.
The analog channel involved possibly does not achieve the specified accuracy.

A05000 (N) Power unit: Overtemperature heat sink AC inverter

Message class: Power electronics faulted (5)
Reaction: NONE
Acknowledge: NONE
Cause: The alarm threshold for overtemperature at the inverter heat sink has been reached. The response is set using p0290.
If the temperature of the heat sink increases by an additional 5 K, then fault F30004 is initiated.
Remedy: Check the following:
- is the ambient temperature within the defined limit values?
- have the load conditions and the load duty cycle been appropriately dimensioned?
- has the cooling failed?

A05001 (N)	Power unit: Overtemperature depletion layer chip
Message class:	Power electronics faulted (5)
Reaction:	NONE
Acknowledge:	NONE
Cause:	Alarm threshold for overtemperature of the power semiconductor in the AC converter has been reached. Note: - The response is set using p0290. - If the depletion layer temperature increases by an additional 15 K, then fault F30025 is triggered.
Remedy:	Check the following: - is the ambient temperature within the defined limit values? - have the load conditions and the load duty cycle been appropriately dimensioned? - has the cooling failed? - pulse frequency too high? See also: r0037 (Power unit temperatures), p0290 (Power unit overload response)
<hr/>	
A05002 (N)	Power unit: Air intake overtemperature
Message class:	Power electronics faulted (5)
Reaction:	NONE
Acknowledge:	NONE
Cause:	For chassis power units, the following applies: The alarm threshold for the air intake overtemperature has been reached. For air-cooled power units, the threshold is 42 °C (hysteresis 2 K). The response is set using p0290. If the air intake temperature increases by an additional 13 K, then fault F30035 is output.
Remedy:	Check the following: - is the ambient temperature within the defined limit values? - has the fan failed? Check the direction of rotation.
<hr/>	
A05004 (N)	Power unit: Rectifier overtemperature
Message class:	Power electronics faulted (5)
Reaction:	NONE
Acknowledge:	NONE
Cause:	The alarm threshold for the overtemperature of the rectifier has been reached. The response is set using p0290. If the temperature of the rectifier increases by an additional 5 K, then fault F30037 is triggered.
Remedy:	Check the following: - is the ambient temperature within the defined limit values? - have the load conditions and the load duty cycle been appropriately dimensioned? - has the fan failed? Check the direction of rotation. - has a phase of the line supply failed? - is an arm of the supply (incoming) rectifier defective?
<hr/>	
A05006 (N)	Power unit: Overtemperature thermal model
Message class:	Power electronics faulted (5)
Reaction:	NONE
Acknowledge:	NONE
Cause:	The temperature difference between the chip and heat sink has exceeded the permissible limit value (blocksize power units only). Depending on p0290, an appropriate overload response is initiated. See also: r0037 (Power unit temperatures)
Remedy:	Not necessary. The alarm disappears automatically once the limit value is undershot. Note: If the alarm does not disappear automatically and the temperature continues to rise, this can result in fault F30024. See also: p0290 (Power unit overload response)

4 Faults and alarms

4.2 List of faults and alarms

A05065 (F, N)	Voltage measured values not plausible
Message class:	Power electronics faulted (5)
Reaction:	NONE
Acknowledge:	NONE
Cause:	The voltage measurement does not supply any plausible values and is not used. Alarm value (r2124, interpret bitwise binary): Bit 1: Phase U Bit 2: Phase V Bit 3: Phase W
Remedy:	The following parameterization must be made in order to deactivate the alarm: - Deactivate voltage measurement (p0247.0 = 0). - Deactivate flying restart with voltage measurement (p0247.5 = 0) and deactivate fast flying restart (p1780.11 = 0).

F06310 (A)	Supply voltage (p0210) incorrectly parameterized
Message class:	Network fault (2)
Reaction:	NONE (OFF1, OFF2)
Acknowledge:	IMMEDIATELY (POWER ON)
Cause:	The measured DC voltage lies outside the tolerance range after pre-charging has been completed. Permissible range: $1.16 * p0210 < r0070 < 1.6 * p0210$ Note: The fault can only be acknowledged when the drive is powered down. See also: p0210 (Drive unit line supply voltage)
Remedy:	- check the parameterized supply voltage and if required change (p0210). - check the line supply voltage. See also: p0210 (Drive unit line supply voltage)

A06921 (N)	Braking resistor phase unsymmetry
Message class:	Braking Module faulted (14)
Reaction:	NONE
Acknowledge:	NONE
Cause:	- the three resistors of the braking chopper are not symmetrical. - DC link voltage oscillations caused by fluctuating loads of the connected drives.
Remedy:	- check the feeder cables to the braking resistors. - If required, increase the value for detecting dissymmetry (p1364).

F06922	Braking resistor phase failure
Message class:	Braking Module faulted (14)
Reaction:	NONE
Acknowledge:	IMMEDIATELY
Cause:	A phase failure for the brake resistor was detected. Fault value (r0949, interpret decimal): 11: Phase U 12: Phase V 13: Phase W
Remedy:	Check the feeder cables to the braking resistors.

F07011	Drive: Motor overtemperature
Message class:	Motor overload (8)
Reaction:	OFF2 (NONE, OFF1, OFF3, STOP2)
Acknowledge:	IMMEDIATELY
Cause:	KTY: The motor temperature has exceeded the fault threshold (p0605). The response parameterized in p0610 becomes active.

PTC or bimetallic NC contact:

The response threshold of 1650 Ohm was exceeded or the NC contact opened. The response parameterized in p0610 becomes active.

Possible causes:

- Motor is overloaded
- motor ambient temperature too high.
- Wire break or sensor not connected

Fault value (r0949, interpret decimal):

See also: p0604 (Mot_temp_mod 2/KTY alarm threshold), p0605 (Mot_temp_mod 1/2 threshold), p0612 (Mot_temp_mod activation), p0625 (Motor ambient temperature during commissioning)

Remedy:

- Reduce the motor load.
- check the ambient temperature and the motor ventilation.
- check the wiring and the connection of the PTC or bimetallic NC contact.

See also: p0604 (Mot_temp_mod 2/KTY alarm threshold), p0605 (Mot_temp_mod 1/2 threshold), p0612 (Mot_temp_mod activation), p0625 (Motor ambient temperature during commissioning)

A07012 (N) Drive: Motor temperature model 1 overtemperature

Message class: Motor overload (8)

Reaction: NONE

Acknowledge: NONE

Cause: The thermal I2t motor model for synchronous motors identified that the alarm threshold was exceeded.

See also: r0034 (Motor utilization thermal), p0605 (Mot_temp_mod 1/2 threshold), p0611 (I2t motor model thermal time constant), p0612 (Mot_temp_mod activation)

Remedy:

- check the motor load and if required, reduce.
- check the motor ambient temperature.
- check the thermal time constant (p0611).
- check the alarm threshold for motor temperature model 1 (I2t) (p0605).

See also: r0034 (Motor utilization thermal), p0605 (Mot_temp_mod 1/2 threshold), p0611 (I2t motor model thermal time constant), p0612 (Mot_temp_mod activation)

A07014 (N) Drive: Motor temperature model configuration alarm

Message class: Motor overload (8)

Reaction: NONE

Acknowledge: NONE

Cause: A fault has occurred in the configuration of the motor temperature model.

Alarm value (r2124, interpret decimal):

1:

All motor temperature models: It is not possible to save the model temperature

See also: p0610 (Motor overtemperature response)

Remedy:

- set the response for motor overtemperature to "Alarm and fault, no reduction of I_max" (p0610 = 2).
- See also: p0610 (Motor overtemperature response)

A07015 Drive: Motor temperature sensor alarm

Message class: External measured value / signal state outside the permissible range (16)

Reaction: NONE

Acknowledge: NONE

Cause: An error was detected when evaluating the temperature sensor set in p0601.

A timer is started with the error. If the fault is still present after this time has expired, then fault F07016 is output; however, at the earliest, 0.2 s after alarm A07015.

Possible causes:

- wire breakage or sensor not connected (KTY: R > 2120 Ohm).
- measured resistance too low (PTC: R < 20 Ohm, KTY: R < 50 Ohm).

Remedy:

- make sure that the sensor is connected correctly.
 - check the parameterization (p0601).
- See also: r0035 (Motor temperature), p0601 (Motor temperature sensor type)

F07016	Drive: Motor temperature sensor fault
Message class:	External measured value / signal state outside the permissible range (16)
Reaction:	OFF1 (NONE, OFF2, OFF3, STOP2)
Acknowledge:	IMMEDIATELY
Cause:	An error was detected when evaluating the temperature sensor set in p0601. Possible causes: - wire breakage or sensor not connected (KTY: R > 2120 Ohm). - measured resistance too low (PTC: R < 20 Ohm, KTY: R < 50 Ohm). Note: If alarm A07015 is present, a timer is started. If the fault is still present after this time has expired, then fault F07016 is output; however, at the earliest, 0.2 s after alarm A07015.
Remedy:	- make sure that the sensor is connected correctly. - check the parameterization (p0601). See also: r0035 (Motor temperature), p0601 (Motor temperature sensor type)

F07080	Drive: Incorrect control parameter
Message class:	Error in the parameterization / configuration / commissioning procedure (18)
Reaction:	NONE
Acknowledge:	IMMEDIATELY (POWER ON)
Cause:	The closed-loop control parameters have been parameterized incorrectly (e.g. p0356 = L_spread = 0). Fault value (r0949, interpret decimal): The fault value includes the parameter number involved. The following parameter numbers only occur as fault values for vector drives: p0310, for synchronous motors: p0341, p0344, p0350, p0357 The following parameter numbers do not occur as fault values for synchronous motors: p0354, p0358, p0360 See also: p0310, p0311, p0341, p0344, p0350, p0354, p0356, p0357, p0358, p0360, p0640, p1082, p1300
Remedy:	Modify the parameter indicated in the fault value (r0949) (e.g. p0640 = current limit > 0). See also: p0311, p0341, p0344, p0350, p0354, p0356, p0358, p0360, p0640, p1082

F07082	Macro: Execution not possible
Message class:	Error in the parameterization / configuration / commissioning procedure (18)
Reaction:	NONE
Acknowledge:	IMMEDIATELY
Cause:	The macro cannot be executed. Fault value (r0949, interpret hexadecimal): ccccbbaa hex: cccc = preliminary parameter number, bb = supplementary information, aa = fault cause Fault causes for the trigger parameter itself: 19: Called file is not valid for the trigger parameter. 20: Called file is not valid for parameter 15. 21: Called file is not valid for parameter 700. 22: Called file is not valid for parameter 1000. 23: Called file is not valid for parameter 1500. 24: Data type of a TAG is incorrect (e.g. Index, number or bit is not U16). Fault causes for the parameters to be set: 25: Error level has an undefined value. 26: Mode has an undefined value. 27: A value was entered as string in the tag value that is not "DEFAULT". 31: Entered drive object type unknown. 32: A device was not able to be found for the determined drive object number. 34: A trigger parameter was recursively called. 35: It is not permissible to write to the parameter via macro. 36: Check, writing to a parameter unsuccessful, parameter can only be read, not available, incorrect data type, value range or assignment incorrect.

- 37: Source parameter for a BICO interconnection was not able to be determined.
- 38: An index was set for a non-indexed (or CDS-dependent) parameter.
- 39: No index was set for an indexed parameter.
- 41: A bit operation is only permissible for parameters with the parameter format DISPLAY_BIN.
- 42: A value not equal to 0 or 1 was set for a BitOperation.
- 43: Reading the parameter to be changed by the BitOperation was unsuccessful.
- 51: Factory setting for DEVICE may only be executed on the DEVICE.
- 61: The setting of a value was unsuccessful.

Remedy:

- check the parameter involved.
- check the macro file and BICO interconnection.

See also: p0015 (Macro drive unit), p1000 (Speed setpoint selection)

F07083**Macro: ACX file not found**

Message class: Error in the parameterization / configuration / commissioning procedure (18)
Reaction: NONE
Acknowledge: IMMEDIATELY
Cause: The ACX file (macro) to be executed was not able to be found in the appropriate directory.
Fault value (r0949, interpret decimal):
Parameter number with which the execution was started.
See also: p0015 (Macro drive unit), p1000 (Speed setpoint selection)

Remedy:

- check whether the file is saved in the appropriate directory on the memory card.

F07084**Macro: Condition for WaitUntil not fulfilled**

Message class: Error in the parameterization / configuration / commissioning procedure (18)
Reaction: NONE
Acknowledge: IMMEDIATELY
Cause: The WaitUntil condition set in the macro was not fulfilled in a certain number of attempts.
Fault value (r0949, interpret decimal):
Parameter number for which the condition was set.

Remedy:

- Check and correct the conditions for the WaitUntil loop.

F07086**Units changeover: Parameter limit violation due to reference value change**

Message class: Error in the parameterization / configuration / commissioning procedure (18)
Reaction: NONE
Acknowledge: IMMEDIATELY
Cause: A reference parameter was changed in the system. This resulted in the fact that for the parameters involved, the selected value was not able to be written in the per unit notation.
The values of the parameters were set to the corresponding violated minimum limit/maximum limit or to the factory setting.
Possible causes:
- the steady-state minimum limit/maximum limit or that defined in the application was violated.
Fault value (r0949, parameter):
Diagnostics parameter to display the parameters that were not able to be re-calculated.
See also: p0304, p0305, p0310, p0596, p2000, p2001, p2002, p2003, r2004

Remedy:

- Check the adapted parameter value and if required correct.

F07088**Units changeover: Parameter limit violation due to units changeover**

Message class: Error in the parameterization / configuration / commissioning procedure (18)
Reaction: NONE
Acknowledge: IMMEDIATELY
Cause: A changeover of units was initiated. This resulted in a violation of a parameter limit
Possible causes for the violation of a parameter limit:
- When rounding off a parameter corresponding to its decimal places, the steady-state minimum limit or maximum limit was violated.
- inaccuracies for the data type "FloatingPoint".

4 Faults and alarms

4.2 List of faults and alarms

In these cases, when the minimum limit is violated then the parameter value is rounded up and when the maximum limited is violated the parameter value is rounded down.

Fault value (r0949, interpret decimal):

Diagnostics parameter to display all parameters whose value had to be adapted.

See also: p0100 (IEC/NEMA mot stds), p0505 (Selecting the system of units), p0595 (Technological unit selection)

Remedy: Check the adapted parameter values and if required correct.

A07089 Changing over units: Function module activation is blocked because the units have been changed over

Message class: Error in the parameterization / configuration / commissioning procedure (18)

Reaction: NONE

Acknowledge: NONE

Cause: An attempt was made to activate a function module. This is not permissible if the units have already been changed over.

See also: p0100 (IEC/NEMA mot stds), p0505 (Selecting the system of units)

Remedy: Restore units that have been changed over to the factory setting.

A07092 Drive: moment of inertia estimator still not ready

Message class: Error in the parameterization / configuration / commissioning procedure (18)

Reaction: NONE

Acknowledge: NONE

Cause: The moment of inertia estimator still has no valid values.

The acceleration cannot be calculated.

The moment of inertia estimator is ready, if the frictional values (p1563, p1564) as well as the moment of inertia value (p1493) have been determined (r1407.26 = 1).

Remedy: Repeat the operation when the moment of inertia estimator is ready (r1407.26 = 1).

A07200 Drive: Master control ON command present

Message class: Error in the parameterization / configuration / commissioning procedure (18)

Reaction: NONE

Acknowledge: NONE

Cause: The ON/OFF1 command is present (no 0 signal).

The command is either influenced via binector input p0840 (current CDS) or control word bit 0 via the master control.

Remedy: Switch the signal via binector input p0840 (current CDS) or control word bit 0 via the master control to 0.

F07220 (N, A) Drive: Master control by PLC missing

Message class: Communication error to the higher-level control system (9)

Reaction: OFF1 (NONE, OFF2, OFF3, STOP2)

Acknowledge: IMMEDIATELY

Cause: The "master control by PLC" signal was missing in operation.

- interconnection of the binector input for "master control by PLC" is incorrect (p0854).

- the higher-level control has withdrawn the "master control by PLC" signal.

- data transfer via the fieldbus (master/drive) was interrupted.

Remedy: - check the interconnection of the binector input for "master control by PLC" (p0854).

- check the "master control by PLC" signal and, if required, switch in.

- check the data transfer via the fieldbus (master/drive).

Note:

If the drive should continue to operate after withdrawing "master control by PLC" then fault response must be parameterized to NONE or the message type should be parameterized as alarm.

F07320	Drive: Automatic restart interrupted
Message class:	Application / technological function faulted (17)
Reaction:	OFF2
Acknowledge:	IMMEDIATELY
Cause:	<ul style="list-style-type: none"> - The specified number of restart attempts (p1211) has been completely used up because within the monitoring time (p1213) the faults were not able to be acknowledged. The number of restart attempts (p1211) is decremented at each new start attempt. - there is no active ON command. - the monitoring time for the power unit has expired. - when exiting commissioning or at the end of the motor identification routine or the speed controller optimization, the drive unit is not automatically powered up again. Fault value (r0949, interpret hexadecimal): Only for internal Siemens troubleshooting.
Remedy:	<ul style="list-style-type: none"> - increase the number of restart attempts (p1211). - increase the delay time in p1212 and/or the monitoring time in p1213. - issue an ON command (p0840). - Reduce the delay time for resetting the start counter p1213[1] so that fewer faults are registered in the time interval.
A07321	Drive: Automatic restart active
Message class:	Application / technological function faulted (17)
Reaction:	NONE
Acknowledge:	NONE
Cause:	The automatic restart (AR) is active. When the line supply returns and/or the causes of the existing faults are removed the drive is automatically restarted. The pulses are enabled and the motor starts to rotate. For p1210 = 26, restarting is realized with the delayed setting of the ON command.
Remedy:	<ul style="list-style-type: none"> - the automatic restart (AR) should, if required, be inhibited (p1210 = 0). - an automatic restart can be directly interrupted by withdrawing the power-on command (BI: p0840). - for p1210 = 26: by withdrawing the OFF2- / OFF3 control commands.
F07330	Flying restart: Measured search current too low
Message class:	Application / technological function faulted (17)
Reaction:	OFF2 (NONE, OFF1)
Acknowledge:	IMMEDIATELY
Cause:	During a flying restart, it was identified that the search current reached is too low. It is possible that the motor is not connected.
Remedy:	Check the motor feeder cables.
F07331	Flying restart: Function not supported
Message class:	Error in the parameterization / configuration / commissioning procedure (18)
Reaction:	OFF2 (NONE, OFF1)
Acknowledge:	IMMEDIATELY
Cause:	It is not possible to power up with the motor rotating (no flying restart). In the following cases, the "flying restart" function is not supported: Perm.-magnet synch. motors (PEM): operation with U/f char. and sensorless vector control.
Remedy:	De-activate the "flying restart" function (p1200 = 0).
A07400 (N)	Drive: DC link voltage maximum controller active
Message class:	Application / technological function faulted (17)
Reaction:	NONE
Acknowledge:	NONE
Cause:	The DC link voltage controller has been activated because the upper switch-in threshold has been exceeded (r1242, r1282). The ramp-down times are automatically increased in order to maintain the DC link voltage (r0070) within the permissible limits. There is a system deviation between the setpoint and actual speeds. When the DC link voltage controller is switched out (disabled), this is the reason that the ramp-function generator output is set to the speed actual value.

4 Faults and alarms

4.2 List of faults and alarms

See also: r0056 (Status word, closed-loop control), p1240 (Vdc controller configuration (vector control)), p1280 (Vdc controller configuration (U/f))

Remedy:

If the controller is not to intervene:

- increase the ramp-down times.
- switch-off the Vdc_max controller (p1240 = 0 for vector control, p1280 = 0 for U/f control).

If the ramp-down times are not to be changed:

- use a chopper or regenerative feedback unit.

A07401 (N)**Drive: DC link voltage maximum controller de-activated**

Message class:

Application / technological function faulted (17)

Reaction:

NONE

Acknowledge:

NONE

Cause:

The Vdc_max controller can no longer maintain the DC link voltage (r0070) below the limit value (r1242, r1282) and was therefore switched out (disabled).

- the line supply voltage is permanently higher than specified for the power unit.
- the motor is permanently in the regenerative mode as a result of a load that is driving the motor.

Remedy:

- check whether the input voltage is within the permissible range (if required, increase the value in p0210).
- check whether the load duty cycle and load limits are within the permissible limits.

A07402 (N)**Drive: DC link voltage minimum controller active**

Message class:

Application / technological function faulted (17)

Reaction:

NONE

Acknowledge:

NONE

Cause:

The DC link voltage controller has been activated as the lower switch-in threshold has been undershot (r1246, r1286).

The kinetic energy of the motor is used to buffer the DC link. The drive is therefore braked.

See also: r0056 (Status word, closed-loop control), p1240 (Vdc controller configuration (vector control)), p1280 (Vdc controller configuration (U/f))

Remedy:

The alarm disappears when power supply returns.

F07404**Drive: DC link voltage monitoring Vdc_max**

Message class:

DC link overvoltage (4)

Reaction:

OFF2 (NONE, OFF1, OFF3)

Acknowledge:

IMMEDIATELY

Cause:

The monitoring of the DC link voltage p1284 has responded (only U/f control).

Remedy:

- check the line supply voltage.
- check the braking module.
- adapt the device supply voltage (p0210).
- adapt the DC link voltage monitoring (p1284).

F07405 (N, A)**Drive: Kinetic buffering minimum speed not reached**

Message class:

Application / technological function faulted (17)

Reaction:

OFF2 (IASC/DCBRK, NONE, OFF1, OFF3, STOP2)

Acknowledge:

IMMEDIATELY

Cause:

During kinetic buffering the speed fell below minimum speed (p1257 or p1297 for vector drives with U/f control) and the line supply did not return.

Remedy:

Check the speed threshold for the Vdc_min controller (kinetic buffering) (p1257, p1297).
See also: p1257 (Vdc_min controller speed threshold)

F07406 (N, A)**Drive: Kinetic buffering maximum time exceeded**

Message class:

Application / technological function faulted (17)

Reaction:

OFF3 (IASC/DCBRK, NONE, OFF1, OFF2, STOP2)

Acknowledge:

IMMEDIATELY

Cause:

The maximum buffer time (p1255 and p1295 for vector drives with U/f control) has been exceeded without the line supply having returned.

Remedy:

Check the time threshold for Vdc-min controller (kinetic buffering) (p1255, p1295).
See also: p1255 (Vdc_min controller time threshold)

A07409	Drive: U/f control, current limiting controller active
Message class:	Application / technological function faulted (17)
Reaction:	NONE
Acknowledge:	NONE
Cause:	The current limiting controller of the U/f control was activated because the current limit was exceeded.
Remedy:	The alarm automatically disappears after one of the following measures: <ul style="list-style-type: none">- increase current limit (p0640).- reduce the load.- slow down the ramp up to the setpoint speed.

F07410	Drive: Current controller output limited
Message class:	Application / technological function faulted (17)
Reaction:	OFF2 (NONE, OFF1)
Acknowledge:	IMMEDIATELY
Cause:	The condition " $I_{act} = 0$ and $U_{q_set_1}$ longer than 16 ms at its limit" is present and can be caused by the following: <ul style="list-style-type: none">- motor not connected or motor contactor open.- motor data and motor configuration (star-delta) do not match.- no DC link voltage present.- power unit defective.- the "flying restart" function is not activated.
Remedy:	<ul style="list-style-type: none">- connect the motor or check the motor contactor.- check the motor parameterization and the connection type (star-delta).- check the DC link voltage (r0070).- check the power unit.- activate the "flying restart" function (p1200).

F07426 (A)	Technology controller actual value limited
Message class:	Application / technological function faulted (17)
Reaction:	OFF1 (IASC/DCBRK, NONE, OFF2, OFF3)
Acknowledge:	IMMEDIATELY
Cause:	The actual value for the technology controller, interconnected via connector input p2264, has reached a limit. Fault value (r0949, interpret decimal): <ul style="list-style-type: none">1: upper limit reached.2: lower limit reached.
Remedy:	<ul style="list-style-type: none">- adapt the limits to the signal level (p2267, p2268).- Check the actual value normalization (p0595, p0596).- Deactivate evaluation of the limits (p2252 bit 3) See also: p0595 (Technological unit selection), p0596 (Technological unit reference quantity), p2264 (Technology controller actual value), p2267 (Technology controller upper limit actual value), p2268 (Technology controller lower limit actual value)

A07428 (N)	Technology controller parameterizing error
Message class:	Error in the parameterization / configuration / commissioning procedure (18)
Reaction:	NONE
Acknowledge:	NONE
Cause:	The technology controller has a parameterizing error. Alarm value (r2124, interpret decimal): <ul style="list-style-type: none">1: The upper output limit in p2291 is set lower than the lower output limit in p2292.
Remedy:	Re alarm value = 1: Set the output limit in p2291 higher than in p2292. See also: p2291 (Technology controller maximum limiting), p2292 (Technology controller minimum limiting)

F07435 (N)	Drive: Setting the ramp-function generator for sensorless vector control
Message class:	Application / technological function faulted (17)
Reaction:	OFF2 (IASC/DCBRK, NONE, OFF1, OFF3)
Acknowledge:	IMMEDIATELY
Cause:	During operation with sensorless vector control (r1407.1) the ramp-function generator was stopped (p1141). An internal setting command of the ramp-function generator output caused the set setpoint speed to be frozen.
Remedy:	- de-activate the holding command for the ramp-function generator (p1141). - suppress the fault (p2101, p2119). This is necessary if the ramp-function generator is held using jogging and the speed setpoint is simultaneously inhibited (r0898.6).

A07530	Drive: Drive Data Set DDS not present
Message class:	Error in the parameterization / configuration / commissioning procedure (18)
Reaction:	NONE
Acknowledge:	NONE
Cause:	The selected drive data set is not available. The drive data set was not changed over. See also: p0180 (Number of Drive Data Sets (DDS)), p0820 (Drive Data Set selection DDS bit 0), r0837 (Drive Data Set DDS selected)
Remedy:	- select the existing drive data set. - set up additional drive data sets.

A07531	Drive: Command Data Set CDS not present
Message class:	Error in the parameterization / configuration / commissioning procedure (18)
Reaction:	NONE
Acknowledge:	NONE
Cause:	The selected command data set is not available (p0836 > p0170). The command data set was not changed over. See also: p0810 (Command data set selection CDS bit 0), r0836 (Command Data Set CDS selected)
Remedy:	- select the existing command data set. - set up additional command data sets.

F07754	Drive: Incorrect shutoff valve configuration
Message class:	Error in the parameterization / configuration / commissioning procedure (18)
Reaction:	OFF2
Acknowledge:	IMMEDIATELY (POWER ON)
Cause:	An incorrect shutoff valve configuration was detected. Fault value (r0949, interpret decimal): 100: Enable Safety Integrated (p9601/p9801), but p0218.0 = 0 (shutoff valve not available). 101: The manipulated variable inhibit time is set less than the wait time to evaluate the feedback signal contacts when switching on the shutoff valve (p0230 < p9625[0]/p9825[0]). 102: The manipulated variable inhibit time is set less than the wait time to evaluate the feedback signal contacts when switching off the shutoff valve (p0230 < p9625[1]/p9825[1]).
Remedy:	For fault value = 100: Check the enable of Safety Integrated and the shutoff valve (p9601/p9801, p0218.0). For fault value = 101: Set the manipulated variable inhibit time higher than the wait time to evaluate the feedback signal contacts when switching on the shutoff valve (p0230 > p9625[0]/p9825[0]). For fault value = 102: Set the manipulated variable inhibit time higher than the wait time to evaluate the feedback signal contacts when switching off the shutoff valve (p0230 > p9625[1]/p9825[1]). See also: p0230 (Drive filter type motor side)

F07800	Drive: No power unit present
Message class:	Error in the parameterization / configuration / commissioning procedure (18)
Reaction:	NONE
Acknowledge:	IMMEDIATELY
Cause:	The power unit parameters cannot be read or no parameters are stored in the power unit. Note: This fault also occurs if an incorrect topology was selected in the commissioning software and this parameterization is then downloaded to the Control Unit.
Remedy:	<ul style="list-style-type: none"> - carry out a POWER ON (power off/on) for all components. - Check the power unit and replace if necessary. - check the Control Unit, and if required replace it. - after correcting the topology, the parameters must be again downloaded using the commissioning software.

F07801	Drive: Motor overcurrent
Message class:	Motor overload (8)
Reaction:	OFF2 (NONE, OFF1, OFF3)
Acknowledge:	IMMEDIATELY
Cause:	The permissible motor limit current was exceeded. <ul style="list-style-type: none"> - effective current limit set too low. - current controller not correctly set. - U/f operation: Up ramp was set too short or the load is too high. - U/f operation: Short-circuit in the motor cable or ground fault. - U/f operation: Motor current does not match current of power unit. - Switch to rotating motor without flying restart function (p1200). Note: Limit current = 2 x minimum (p0640, 4 x p0305 x p0306) >= 2 x p0305 x p0306
Remedy:	<ul style="list-style-type: none"> - check the current limits (p0640). - U/f control: Check the current limiting controller (p1340 ... p1346). - increase the up ramp (p1120) or reduce the load. - check the motor and motor cables for short-circuit and ground fault. - check the motor for the star-delta configuration and rating plate parameterization. - check the power unit and motor combination. - Choose "flying restart" function (p1200) if switched to rotating motor.

F07802	Drive: Infeed or power unit not ready
Message class:	Infeed faulted (13)
Reaction:	OFF2 (NONE)
Acknowledge:	IMMEDIATELY
Cause:	After an internal power-on command, the infeed or drive does not signal ready. <ul style="list-style-type: none"> - monitoring time is too short. - DC link voltage is not present. - associated infeed or drive of the signaling component is defective. - supply voltage incorrectly set.
Remedy:	<ul style="list-style-type: none"> - ensure that there is a DC link voltage. Check the DC link busbar. Enable the infeed. - replace the associated infeed or drive of the signaling component. - check the line supply voltage setting (p0210).

A07805 (N)	Drive: Power unit overload I2t
Message class:	Power electronics faulted (5)
Reaction:	NONE
Acknowledge:	NONE
Cause:	Alarm threshold for I2t overload of the power unit exceeded. The response parameterized in p0290 becomes active. See also: p0290 (Power unit overload response)

4 Faults and alarms

4.2 List of faults and alarms

- Remedy:**
- reduce the continuous load.
 - adapt the load duty cycle.
 - check the assignment of the motor and power unit rated currents.

F07807 Drive: Short-circuit/ground fault detected

Message class: Ground fault / inter-phase short-circuit detected (7)

Reaction: OFF2 (NONE)

Acknowledge: IMMEDIATELY

Cause: A phase-phase short-circuit or ground fault was detected at the motor-side output terminals of the converter.

Fault value (r0949, interpret decimal):

1: Short-circuit, phases U-V

2: Short-circuit, phases U-W

3: Short-circuit, phases V-W

4: Ground fault with overcurrent

1xxxx: Ground fault with current in phase U detected (xxxx = component of the current in phase V in per mille)

2xxxx: Ground fault with current in phase V detected (xxxx = component of the current in phase U in per mille)

Note:

Also when interchanging the line and motor cables is identified as a motor-side short circuit.

Connecting to a motor that is either not de-energized or partially de-energized is possibly detected as ground fault.

- Remedy:**
- check the motor-side converter connection for a phase-phase short-circuit.
 - rule-out interchanged line and motor cables.
 - check for a ground fault.
- For a ground fault:
- do not enable the pulses when connecting to a rotating motor without the "Flying restart" function activated (p1200).
 - increase the de-energization time (p0347).
 - If required, deactivate the monitoring (p1901).

F07810 Drive: Power unit EEPROM without rated data

Message class: Hardware / software error (1)

Reaction: NONE

Acknowledge: IMMEDIATELY

Cause: No rated data are stored in the power unit EEPROM.

See also: p0205 (Power unit application), r0206 (Rated power unit power), r0207 (Rated power unit current), r0208 (Rated power unit line supply voltage), r0209 (Power unit maximum current)

Remedy: Replace the power unit or inform Siemens Customer Service.

A07850 (F) External alarm 1

Message class: External measured value / signal state outside the permissible range (16)

Reaction: NONE

Acknowledge: NONE

Cause: The condition for "External alarm 1" is satisfied.

Note:

The "External alarm 1" is initiated by a 1/0 edge via binector input p2112.

See also: p2112 (External alarm 1)

Remedy: Eliminate the causes of this alarm.

F07860 (A) External fault 1

Message class: External measured value / signal state outside the permissible range (16)

Reaction: OFF2 (IASC/DCBRK, NONE, OFF1, OFF3, STOP2)

Acknowledge: IMMEDIATELY (POWER ON)

Cause: The condition for "External fault 1" is satisfied.

Note:

The "External fault 1" is initiated by a 1/0 edge via binector input p2106.

See also: p2106 (External fault 1)

Remedy:

- eliminate the causes of this fault.
- acknowledge fault.

F07900 (N, A)	Drive: Motor blocked
Message class:	Application / technological function faulted (17)
Reaction:	OFF2 (NONE, OFF1, OFF3, STOP2)
Acknowledge:	IMMEDIATELY
Cause:	Motor has been operating at the torque limit at a low speed for a longer period of time and below the set speed threshold. This signal can also be triggered if the speed is oscillating and the speed controller output repeatedly goes to its limit. It may also be the case that thermal monitoring of the power unit reduces the current limit (see p0290), thereby causing the motor to decelerate.
Remedy:	<ul style="list-style-type: none">- check that the motor can freely move.- check the effective torque limit (r1538, r1539).- check the direction of rotation enable signals for a flying restart of the motor (p1110, p1111).- for U/f control: check the current limits and acceleration times (p0640, p1120).
<hr/>	
F07901	Drive: Motor overspeed
Message class:	Application / technological function faulted (17)
Reaction:	OFF2 (IASC/DCBRK)
Acknowledge:	IMMEDIATELY
Cause:	The maximum permissible speed was either positively or negatively exceeded. The maximum permissible positive speed is formed as follows: Minimum (p1082) The maximum permissible negative speed is formed as follows: Maximum (-p1082)
Remedy:	The following applies for a positive direction of rotation: <ul style="list-style-type: none">- check r1084 and if required, correct p1082. The following applies for a negative direction of rotation: <ul style="list-style-type: none">- check r1087 and if required, correct p1082. Activate pre-control of the speed limiting controller (bit 7 = 1). Increase the hysteresis for the overspeed signal. This upper limit is dependent upon the maximum motor speed p0322 and the maximum speed p1082 of the setpoint channel.
<hr/>	
F07902 (N, A)	Drive: Motor stalled
Message class:	Application / technological function faulted (17)
Reaction:	OFF2 (IASC/DCBRK, NONE, OFF1, OFF3, STOP2)
Acknowledge:	IMMEDIATELY
Cause:	The system has identified that the motor has stalled for a time longer than is set. Fault value (r0949, interpret decimal): 1: Reserved. 2: Stall detection using r1408.12 (p1745) or via (r0084 ... r0083).
Remedy:	Steps should always be taken to ensure that both motor data identification and the rotating measurement were carried out (see p1900, r3925). <ul style="list-style-type: none">- check whether the drive stalls solely due to the load in controlled mode or when the speed setpoint is still zero. If yes, then increase the current setpoint using p1610.- if the motor excitation time (p0346) was significantly reduced and the drive stalls when it is switched on and run immediately, p0346 should be increased again.- check whether the motor cables are disconnected (see A07929). If there is no fault, then the fault tolerance can be increased (p1745). <ul style="list-style-type: none">- check the current limits (p0640, r0067, r0289). If the current limits are too low, then the drive cannot be magnetized.- If the fault occurs with fault value 2 when the motor accelerates very quickly to the field weakening range, the deviation between the flux setpoint and flux actual value can be reduced and, in turn, the message prevented, by reducing p1553.

4 Faults and alarms

4.2 List of faults and alarms

A07910 (N)	Drive: Motor overtemperature
Message class:	Motor overload (8)
Reaction:	NONE
Acknowledge:	NONE
Cause:	KTY or no sensor: The measured motor temperature or the temperature of the motor temperature model 2 has exceeded the alarm threshold (p0604). The response parameterized in p0610 becomes active. PTC or bimetallic NC contact: The response threshold of 1650 Ohm was exceeded or the NC contact opened. Alarm value (r2124, interpret decimal): 11: No output current reduction. 12: Output current reduction active. See also: p0604 (Mot_temp_mod 2/KTY alarm threshold), p0610 (Motor overtemperature response)
Remedy:	- check the motor load. - check the motor ambient temperature. - check KTY84. - check overtemperatures of the motor temperature model 2. See also: p0612 (Mot_temp_mod activation), p0625 (Motor ambient temperature during commissioning)

A07927	DC braking active
Message class:	Application / technological function faulted (17)
Reaction:	NONE
Acknowledge:	NONE
Cause:	The motor is braked with DC current. DC braking is active. 1) A message with response DCBRK is active. The motor is braked with the braking current set in p1232 for the duration set in in p1233. If the standstill threshold is fallen below, then braking is prematurely canceled. 2) DC braking has been activated at binector input p1230 with the DC braking set (p1230 = 4). Braking current p1232 is injected until this binector input becomes inactive.
Remedy:	Not necessary. The alarm automatically disappears once DC braking has been executed.

A07929 (F)	Drive: No motor detected
Message class:	Application / technological function faulted (17)
Reaction:	NONE
Acknowledge:	NONE
Cause:	The absolute current value is so small after enabling the inverter pulses that no motor is detected. Note: In the case of vector control and an induction motor, this alarm is followed by the fault F07902.
Remedy:	- check the motor feeder cables. - check the voltage boost of the U/f control (p1310). - carry out a standstill measurement to set the stator resistance (p0350).

F07950 (A)	Motor parameter incorrect
Message class:	Error in the parameterization / configuration / commissioning procedure (18)
Reaction:	NONE
Acknowledge:	IMMEDIATELY
Cause:	The motor parameters were incorrectly entered while commissioning (e.g. p0300 = 0, no motor) Fault value (r0949, interpret decimal): Parameter number involved. See also: p0300, p0301, p0304, p0305, p0307, p0310, p0311, p0316, p0320, p0322, p0323
Remedy:	Compare the motor data with the rating plate data and if required, correct.

F07967	Drive: Incorrect pole position identification
Message class:	Error in the parameterization / configuration / commissioning procedure (18)
Reaction:	OFF2 (NONE, OFF1)
Acknowledge:	IMMEDIATELY
Cause:	A fault has occurred during the pole position identification routine. Only for internal Siemens troubleshooting.
Remedy:	Carry out a POWER ON.
F07968	Drive: Lq-Ld measurement incorrect
Message class:	Error in the parameterization / configuration / commissioning procedure (18)
Reaction:	OFF2
Acknowledge:	IMMEDIATELY
Cause:	A fault has occurred during the Lq-Ld measurement. Fault value (r0949, interpret decimal): 10: Stage 1: The ratio between the measured current and zero current is too low. 12: Stage 1: The maximum current was exceeded. 15: Second harmonic too low. 16: Drive converter too small for the measuring technique. 17: Abort due to pulse inhibit.
Remedy:	For fault value = 10: Check whether the motor is correctly connected. Replace the power unit involved. De-activate technique (p1909). For fault value = 12: Check whether motor data have been correctly entered. De-activate technique (p1909). For fault value = 16: De-activate technique (p1909). For fault value = 17: Repeat technique.
F07969	Drive: Incorrect pole position identification
Message class:	Error in the parameterization / configuration / commissioning procedure (18)
Reaction:	OFF2
Acknowledge:	IMMEDIATELY
Cause:	A fault has occurred during the pole position identification routine. Fault value (r0949, interpret decimal): 1: Current controller limited 2: Motor shaft locked. 10: Stage 1: The ratio between the measured current and zero current is too low. 11: Stage 2: The ratio between the measured current and zero current is too low. 12: Stage 1: The maximum current was exceeded. 13: Stage 2: The maximum current was exceeded. 14: Current difference to determine the +d axis too low. 15: Second harmonic too low. 16: Drive converter too small for the measuring technique. 17: Abort due to pulse inhibit. 18: First harmonic too low. 20: Pole position identification requested with the motor shaft rotating and activated "flying restart" function.
Remedy:	For fault value = 1: Check whether the motor is correctly connected. Check whether motor data have been correctly entered. Replace the power unit involved. For fault value = 2: Bring the motor into a no-load condition.

For fault value = 10:
When selecting p1980 = 4: Increase the value for p0325.
When selecting p1980 = 1: Increase the value for p0329.
Check whether the motor is correctly connected.
Replace the power unit involved.

For fault value = 11:
Increase the value for p0329.
Check whether the motor is correctly connected.
Replace the power unit involved.

For fault value = 12:
When selecting p1980 = 4: Reduce the value for p0325.
When selecting p1980 = 1: Reduce the value for p0329.
Check whether motor data have been correctly entered.

For fault value = 13:
Reduce the value for p0329.
Check whether motor data have been correctly entered.

For fault value = 14:
Increase the value for p0329.

For fault value = 15:
Increase the value for p0325.
Motor not sufficiently anisotropic, change the technique (p1980 = 1 or 10).

For fault value = 16:
Change the technique (p1980).

For fault value = 17:
Repeat technique.

For fault value = 18:
Increase the value for p0329 (if required, first set p0323).
Saturation not sufficient, change the technique (p1980 = 10).

For fault value = 20:
Before carrying out a pole position identification routine ensure that the motor shaft is absolutely stationary (zero speed).

A07976**Drive: Fine encoder calibration activated**

Message class: Error in the parameterization / configuration / commissioning procedure (18)

Reaction: NONE

Acknowledge: NONE

Cause: The alarm indicates the phases of the fine encoder calibration using the alarm value.
Alarm value (interpret decimal):
1: Fine encoder calibration active.
2: Rotating measurement started (set the setpoint speed > 40 % rated motor speed).
3: Rotating measurement lies within the speed and torque range.
4: Rotating measurement successful: pulse inhibit can be initiated to accept the values.
5: Fine encoder calibration is calculated.
10: Speed too low, rotating measurement interrupted.
12: Torque too high, rotating measurement interrupted.

Remedy: Re alarm value = 10:
Increase the speed.
Re alarm value = 12:
Bring the drive into a no-load condition.

A07980	Drive: Rotating measurement activated
Message class:	Error in the parameterization / configuration / commissioning procedure (18)
Reaction:	NONE
Acknowledge:	NONE
Cause:	The rotating measurement (automatic speed controller optimization) is activated. The rotating measurement is carried out at the next power-on command. Note: During the rotating measurement it is not possible to save the parameters (p0971). See also: p1960 (Rotating measurement selection)
Remedy:	Not necessary. The alarm disappears automatically after the speed controller optimization has been successfully completed or for the setting p1900 = 0.

A07981	Drive: Enable signals for the rotating measurement missing
Message class:	Error in the parameterization / configuration / commissioning procedure (18)
Reaction:	NONE
Acknowledge:	NONE
Cause:	The rotating measurement cannot be started due to missing enable signals. For p1959.13 = 1, the following applies: - enable signals for the ramp-function generator missing (see p1140 ... p1142).
Remedy:	- acknowledge faults that are present. - establish missing enable signals. See also: r0002 (Drive operating display), r0046 (Missing enable sig)

F07983	Drive: Rotating measurement saturation characteristic
Message class:	Error in the parameterization / configuration / commissioning procedure (18)
Reaction:	OFF1 (NONE, OFF2)
Acknowledge:	IMMEDIATELY
Cause:	A fault has occurred while determining the saturation characteristic. Fault value (r0949, interpret decimal): 1: The speed did not reach a steady-state condition. 2: The rotor flux did not reach a steady-state condition. 3: The adaptation circuit did not reach a steady-state condition. 4: The adaptation circuit was not enabled. 5: Field weakening active. 6: The speed setpoint was not able to be approached as the minimum limiting is active. 7: The speed setpoint was not able to be approached as the suppression (skip) bandwidth is active. 8: The speed setpoint was not able to be approached as the maximum limiting is active. 9: Several values of the determined saturation characteristic are not plausible. 10: Saturation characteristic could not be sensibly determined because load torque too high.
Remedy:	For fault value = 1: - the total drive moment of inertia is far higher than that of the motor (p0341, p0342). De-select rotating measurement (p1960), enter the moment of inertia p0342, re-calculate the speed controller p0340 = 4 and repeat the measurement. Re fault value = 1 ... 2: - increase the measuring speed (p1961) and repeat the measurement. Re fault value = 1 ... 4: - check the motor parameters (rating plate data). After the change: Calculate p0340 = 3. - check the moment of inertia (p0341, p0342). After the change: Calculate p0340 = 3. - carry out a motor data identification routine (p1910). - if required, reduce the dynamic factor (p1967 < 25 %). For fault value = 5: - the speed setpoint (p1961) is too high. Reduce the speed. For fault value = 6: - adapt the speed setpoint (p1961) or minimum limiting (p1080).

For fault value = 7:

- adapt the speed setpoint (p1961) or suppression (skip) bandwidths (p1091 ... p1092, p1101).

For fault value = 8:

- adapt the speed setpoint (p1961) or maximum limit (p1082, p1083 and p1086).

Re fault value = 9, 10:

- the measurement was carried out at an operating point where the load torque is too high. Select a more suitable operating point, either by changing the speed setpoint (p1961) or by reducing the load torque. The load torque may not be varied while making measurements.

Note:

The saturation characteristic identification routine can be disabled using p1959.1.

See also: p1959 (Rotating measurement configuration)

F07984

Drive: Speed controller optimization, moment of inertia

Message class:

Error in the parameterization / configuration / commissioning procedure (18)

Reaction:

OFF1 (NONE, OFF2)

Acknowledge:

IMMEDIATELY

Cause:

A fault has occurred while identifying the moment of inertia.

Fault value (r0949, interpret decimal):

1: The speed did not reach a steady-state condition.

2: The speed setpoint was not able to be approached as the minimum limiting is active.

3: The speed setpoint was not able to be approached as the suppression (skip) bandwidth is active.

4: The speed setpoint was not able to be approached as the maximum limiting is active.

5: It is not possible to increase the speed by 10% as the minimum limiting is active.

6: It is not possible to increase the speed by 10% as the suppression (skip) bandwidth is active.

7: It is not possible to increase the speed by 10% as the maximum limiting is active.

8: The torque difference after the speed setpoint step is too low in order to be able to still reliably identify the moment of inertia.

9: Too few data to be able to reliably identify the moment of inertia.

10: After the setpoint step, the speed either changed too little or in the incorrect direction.

11: The identified moment of inertia is not plausible.

Remedy:

For fault value = 1:

- check the motor parameters (rating plate data). After the change: Calculate p0340 = 3.

- check the moment of inertia (p0341, p0342). After the change: Calculate p0340 = 3.

- carry out a motor data identification routine (p1910).

- if required, reduce the dynamic factor (p1967 < 25 %).

Re fault value = 2, 5:

- adapt the speed setpoint (p1965) or adapt the minimum limit (p1080).

Re fault value = 3, 6:

- adapt the speed setpoint (p1965) or suppression (skip) bandwidths (p1091 ... p1092, p1101).

Re fault value = 4, 7:

- adapt the speed setpoint (p1965) or maximum limit (p1082, p1083 and p1086).

For fault value = 8:

- the total drive moment of inertia is far higher than that of the motor (refer to p0341, p0342). De-select rotating measurement (p1960), enter the moment of inertia p0342, re-calculate the speed controller p0340 = 4 and repeat the measurement.

For fault value = 9:

- check the moment of inertia (p0341, p0342). After the change, re-calculate (p0340 = 3 or 4).

For fault value = 10:

- check the moment of inertia (p0341, p0342). After the change: Calculate p0340 = 3.

Note:

The moment of inertia identification routine can be disabled using p1959.2.

See also: p1959 (Rotating measurement configuration)

F07985	Drive: Speed controller optimization (oscillation test)
Message class:	Error in the parameterization / configuration / commissioning procedure (18)
Reaction:	OFF1 (NONE, OFF2)
Acknowledge:	IMMEDIATELY
Cause:	A fault has occurred during the vibration test. Fault value (r0949, interpret decimal): 1: The speed did not reach a steady-state condition. 2: The speed setpoint was not able to be approached as the minimum limiting is active. 3: The speed setpoint was not able to be approached as the suppression (skip) bandwidth is active. 4: The speed setpoint was not able to be approached as the maximum limiting is active. 5: Torque limits too low for a torque step. 6: No suitable speed controller setting was found.
Remedy:	For fault value = 1: - check the motor parameters (rating plate data). After the change: Calculate p0340 = 3. - check the moment of inertia (p0341, p0342). After the change: Calculate p0340 = 3. - carry out a motor data identification routine (p1910). - if required, reduce the dynamic factor (p1967 < 25 %). For fault value = 2: - adapt the speed setpoint (p1965) or adapt the minimum limit (p1080). For fault value = 3: - adapt the speed setpoint (p1965) or suppression (skip) bandwidths (p1091 ... p1092, p1101). For fault value = 4: - adapt the speed setpoint (p1965) or maximum limit (p1082, p1083 and p1086). For fault value = 5: - increase the torque limits (e.g. p1520, p1521). For fault value = 6: - reduce the dynamic factor (p1967). - disable the vibration test (p1959.4 = 0) and repeat the rotating measurement. See also: p1959 (Rotating measurement configuration)

F07986	Drive: Rotating measurement ramp-function generator
Message class:	Error in the parameterization / configuration / commissioning procedure (18)
Reaction:	OFF1 (NONE, OFF2)
Acknowledge:	IMMEDIATELY
Cause:	During the rotating measurements, problems with the ramp-function generator occurred. Fault value (r0949, interpret decimal): 1: The positive and negative directions are inhibited.
Remedy:	For fault value = 1: Enable the direction (p1110 or p1111).

F07988	Drive: Rotating measurement, no configuration selected
Message class:	Error in the parameterization / configuration / commissioning procedure (18)
Reaction:	OFF2 (NONE, OFF1)
Acknowledge:	IMMEDIATELY
Cause:	When configuring the rotating measurement (p1959), no function was selected.
Remedy:	Select at least one function for automatic optimization of the speed controller (p1959). See also: p1959 (Rotating measurement configuration)

F07990	Drive: Incorrect motor data identification
Message class:	Error in the parameterization / configuration / commissioning procedure (18)
Reaction:	OFF2 (NONE, OFF1)
Acknowledge:	IMMEDIATELY
Cause:	A fault has occurred during the identification routine. Fault value (r0949, interpret decimal): 1: Current limit value reached.

4 Faults and alarms

4.2 List of faults and alarms

- 2: Identified stator resistance lies outside the expected range 0.1 ... 100% of Zn.
- 3: Identified rotor resistance lies outside the expected range 0.1 ... 100% of Zn.
- 4: Identified stator reactance lies outside the expected range 50 ... 500 % of Zn.
- 5: Identified magnetizing reactance lies outside the expected range 50 ... 500 % of Zn.
- 6: Identified rotor time constant lies outside the expected range 10 ms ... 5 s.
- 7: Identified total leakage reactance lies outside the expected range 4 ... 50 % of Zn.
- 8: Identified stator leakage reactance lies outside the expected range 2 ... 50% of Zn.
- 9: Identified rotor leakage reactance lies outside the expected range 2 ... 50% of Zn.
- 10: Motor has been incorrectly connected.
- 11: Motor shaft rotates.
- 12: Ground fault detected.
- 15: Pulse inhibit occurred during motor data identification
- 20: Identified threshold voltage of the semiconductor devices lies outside the expected range 0 ... 10 V.
- 30: Current controller in voltage limiting.
- 40: At least one identification contains errors. The identified parameters are not saved to prevent inconsistencies.

Note:

Percentage values are referred to the rated motor impedance:

$$Z_n = V_{\text{mot,nom}} / \sqrt{3} / I_{\text{mot,nom}}$$

Remedy:

Re fault value = 1 ... 40:

- check whether motor data have been correctly entered in p0300, p0304 ... p0311.
- is there an appropriate relationship between the motor power rating and that of the power unit? The ratio of the power unit to the rated motor current should not be less than 0.5 and not be greater than 4.
- check connection type (star-delta).

Re fault value = 4, 7:

- check whether the inductance in p0233 is correctly set.
- check whether motor has been correctly connected (star-delta).

Re fault value = 11 in addition:

- Deactivate oscillation monitoring (p1909.7 = 1).

For fault value = 12:

- check the power cable connections.
- check the motor.
- check the CT.

A07991 (N)

Drive: Motor data identification activated

Message class:

Error in the parameterization / configuration / commissioning procedure (18)

Reaction:

NONE

Acknowledge:

NONE

Cause:

The motor data identification routine is activated.

The motor data identification routine is carried out at the next power-on command.

If rotating measurement is selected (see p1900, p1960), it will not be possible to save the parameter assignment.

Once motor data identification has been completed or de-activated, the option to save the parameter assignment will be made available again.

See also: p1910 (Motor data identification selection)

Remedy:

Not necessary.

The alarm automatically disappears after the motor data identification routine has been successfully completed or for the setting p1900 = 0.

A07994 (F, N)

Drive: motor data identification not performed

Message class:

Error in the parameterization / configuration / commissioning procedure (18)

Reaction:

NONE

Acknowledge:

NONE

Cause:

The "vector control" mode has been selected and a motor data identification has still not been performed.

The alarm is initiated when changing the drive data set (see r0051) in the following cases:

- vector control is parameterized in the actual drive data set (p1300 >= 20).

and

- motor data identification has still not been performed in the actual drive data set (see r3925).

Note:

For SINAMICS G120, a check is made and an alarm is output also when exiting commissioning and when the system powers up.

- Remedy:**
- Perform motor data identification (see p1900).
 - If required, parameterize "U/f control" (p1300 < 20).
 - switch over to a drive data set, in which the conditions do not apply.

F08010 (N, A) CU: Analog-to-digital converter

- Message class:** Hardware / software error (1)
Reaction: OFF1 (IASC/DCBRK, NONE, OFF2, OFF3, STOP2)
Acknowledge: IMMEDIATELY (POWER ON)
Cause: The analog-to-digital converter on the Control Unit has not supplied any converted data.
Remedy:
- check the power supply.
 - replace Control Unit.

F08501 (N, A) PROFINET: Setpoint timeout

- Message class:** Communication error to the higher-level control system (9)
Reaction: OFF3 (IASC/DCBRK, NONE, OFF1, OFF2, STOP2)
Acknowledge: IMMEDIATELY
Cause: The reception of setpoints from PROFINET has been interrupted.
 - bus connection interrupted.
 - controller switched off.
 - controller set into the STOP state.**Remedy:**
- Restore the bus connection and set the controller to RUN.
 - check the set monitoring time if the error persists (p2040).

F08502 (A) PROFINET: Monitoring time sign-of-life expired

- Message class:** Communication error to the higher-level control system (9)
Reaction: OFF1 (OFF2, OFF3)
Acknowledge: IMMEDIATELY
Cause: The monitoring time for the sign-of-life counter has expired.
The connection to the PROFINET interface was interrupted.
Remedy:
- carry out a POWER ON (power off/on).
 - contact the Hotline.

A08511 (F) PROFINET: Receive configuration data invalid

- Message class:** Error in the parameterization / configuration / commissioning procedure (18)
Reaction: NONE
Acknowledge: NONE
Cause: The drive unit did not accept the receive configuration data.
Alarm value (r2124, interpret decimal):
Return value of the receive configuration data check.
2: Too many PZD data words for output or input to a drive object. Maximum of 12 words are possible.
3: Uneven number of bytes for input or output.
501: PROFIsafe parameter error (e.g. F_dest).
Remedy: Check the receive configuration data.
Re alarm value = 2:
 - Check the number of data words for output and input to a drive object.
Re alarm value = 501:
 - Check the set PROFIsafe address (p9610).

A08526 (F) PROFINET: No cyclic connection

- Message class:** Communication error to the higher-level control system (9)
Reaction: NONE
Acknowledge: NONE
Cause: There is no connection to a PROFINET controller.

4 Faults and alarms

4.2 List of faults and alarms

Remedy: Establish the cyclic connection and activate the controller with cyclic operation.
Check the parameters "Name of Station" and "IP of Station" (r61000, r61001).

A08565

PROFINET: Consistency error affecting adjustable parameters

Message class: Error in the parameterization / configuration / commissioning procedure (18)

Reaction: NONE

Acknowledge: NONE

Cause: A consistency error was detected when activating the configuration (p8925) for the PROFINET interface. The currently set configuration has not been activated.

Alarm value (r2124, interpret decimal):

0: general consistency error

1: error in the IP configuration (IP address, subnet mask or standard gateway)

2: Error in the station names.

3: DHCP was not able to be activated, as a cyclic PROFINET connection already exists.

4: a cyclic PROFINET connection is not possible as DHCP is activated.

See also: p8920 (PN Name of Station), p8921 (PN IP address of station), p8922 (PN Default Gateway of Station), p8923 (PN Subnet Mask of Station)

Remedy: - Check the required interface configuration (p8920 and following), correct if necessary, and activate (p8925).

or

- Reconfigure the station via the "Edit Ethernet node" screen form (e.g. with STARTER commissioning software).

See also: p8925 (PN interface configuration)

F08700 (A)

CAN: Communications error

Message class: Communication error to the higher-level control system (9)

Reaction: OFF3 (NONE, OFF1, OFF2)

Acknowledge: IMMEDIATELY

Cause: A CAN communications error has occurred.

Fault value (r0949, interpret decimal):

1: The error counter for the send telegrams has exceeded the BUS OFF value 255. The bus disables the CAN controller.

- bus cable short circuit.

- incorrect baud rate.

- incorrect bit timing.

2: The master no longer interrogated the CAN node status longer than for its "life time". The "life time" is obtained from the "guard time" (p8604[0]) multiplied by the "life time factor" (p8604[1]).

- bus cable interrupted.

- bus cable not connected.

- incorrect baud rate.

- incorrect bit timing.

- master fault.

Note:

The fault response can be set as required using p8641.

See also: p8604 (CAN life guarding), p8641 (CAN Abort Connection Option Code)

Remedy: - check the bus cable

- check the baud rate (p8622).

- check the bit timing (p8623).

- check the master.

The CAN controller must be manually restarted with p8608 = 1 after the cause of the fault has been resolved!

See also: p8608 (CAN Clear Bus Off Error), p8622 (CAN bit rate), p8623 (CAN Bit Timing selection)

F08701

CAN: NMT state change

Message class: Communication error to the higher-level control system (9)

Reaction: OFF3

Acknowledge: IMMEDIATELY

Cause: A CANopen NMT state transition from "operational" to "pre-operational" or after "stopped".

Fault value (r0949, interpret decimal):

1: CANopen NMT state transition from "operational" to "pre-operational".

2: CANopen NMT state transition from "operational" to "stopped".

Note:

In the NMT state "pre-operational", process data cannot be transferred and in the NMT state "stopped", no process data and no service data can be transferred.

Remedy:

Not necessary.

Acknowledge the fault and continue operation.

F08702 (A)

CAN: RPDO Timeout

Message class: Communication error to the higher-level control system (9)

Reaction: OFF3 (NONE, OFF1, OFF2)

Acknowledge: IMMEDIATELY

Cause: The monitoring time of the CANopen RPDO telegram has expired because the bus connection was either interrupted or the CANopen Master was switched-off.

See also: p8699 (CAN: RPDO monitoring time)

Remedy:

- check the bus cable

- check the master.

- If required, increase the monitoring time (p8699).

A08751 (N)

CAN: Telegram loss

Message class: Communication error to the higher-level control system (9)

Reaction: NONE

Acknowledge: NONE

Cause: The CAN controller has lost a receive message (telegram).

Remedy: Reduce the cycle times of the receive messages.

A08752

CAN: Error counter for error passive exceeded

Message class: Communication error to the higher-level control system (9)

Reaction: NONE

Acknowledge: NONE

Cause: The error counter for the send or receive telegrams has exceeded the value 127.

Remedy:

- check the bus cable

- set a higher baud rate (p8622).

- check the bit timing and if required optimize (p8623).

See also: p8622 (CAN bit rate), p8623 (CAN Bit Timing selection)

A08753

CAN: Message buffer overflow

Message class: Communication error to the higher-level control system (9)

Reaction: NONE

Acknowledge: NONE

Cause: A message buffer overflow.

Alarm value (r2124, interpret decimal):

1: Non-cyclic send buffer (SDO response buffer) overflow.

2: Non-cyclic receive buffer (SDO receive buffer) overflow.

3: Cyclic send buffer (PDO send buffer) overflow.

Remedy:

- check the bus cable.

- set a higher baud rate (p8622).

- check the bit timing and if required optimize (p8623).

Re alarm value = 2:

- reduce the cycle times of the SDO receive messages.

- SDO request from master only after SDO feedback for previous SDO request.

See also: p8622 (CAN bit rate), p8623 (CAN Bit Timing selection)

4 Faults and alarms

4.2 List of faults and alarms

A08754	CAN: Incorrect communications mode
Message class:	Error in the parameterization / configuration / commissioning procedure (18)
Reaction:	NONE
Acknowledge:	NONE
Cause:	In the "operational" mode, an attempt was made to change parameters p8700 ... p8737.
Remedy:	Change to the "pre-operational" or "stopped" mode.

A08755	CAN: Obj cannot be mapped
Message class:	Error in the parameterization / configuration / commissioning procedure (18)
Reaction:	NONE
Acknowledge:	NONE
Cause:	The CANopen object is not provided for the Process Data Object (PDO) Mapping.
Remedy:	Use a CANopen object intended for the PDO mapping or enter 0. The following objects can be mapped in the Receive Process Data Object (RPDO) or Transmit Process Data Object (TPDO): - RPDO: 6040 hex, 6060 hex, 60FF hex, 6071 hex; 5800 hex - 580F hex; 5820 hex - 5827 hex - TPDO: 6041 hex, 6061 hex, 6063 hex, 6069 hex, 606B hex, 606C hex, 6074 hex; 5810 hex - 581F hex; 5830 hex - 5837 hex Only sub-index 0 of the specified objects can be mapped. Note: As long as A08755 is present, the COB-ID cannot be set to valid.

A08756	CAN: Number of mapped bytes exceeded
Message class:	Error in the parameterization / configuration / commissioning procedure (18)
Reaction:	NONE
Acknowledge:	NONE
Cause:	The number of bytes of the mapped objects exceeds the telegram size for net data. A max. of 8 bytes is permissible.
Remedy:	Map fewer objects or objects with a smaller data type. See also: p8710, p8711, p8712, p8713, p8714, p8715, p8716, p8717, p8730, p8731, p8732, p8733, p8734, p8735, p8736, p8737

A08757	CAN: Set COB-ID invalid
Message class:	Error in the parameterization / configuration / commissioning procedure (18)
Reaction:	NONE
Acknowledge:	NONE
Cause:	For online operation, the appropriate COB-ID must be set invalid before mapping. Example: Mapping for RPDO 1 should be changed (p8710[0]). --> set p8700[0] = C00006E0 hex (invalid COB-ID) --> set p8710[0] as required. --> p8700[0] enter a valid COB-ID
Remedy:	Set the COB-ID to invalid.

A08759	CAN: PDO COB-ID already available
Message class:	Error in the parameterization / configuration / commissioning procedure (18)
Reaction:	NONE
Acknowledge:	NONE
Cause:	An existing PDO COB-ID was allocated.
Remedy:	Select another PDO COB-ID.

A08760	CAN: maximum size of the IF PZD exceeded
Message class:	Error in the parameterization / configuration / commissioning procedure (18)
Reaction:	NONE
Acknowledge:	NONE
Cause:	The maximum size of the IF PZD was exceeded.

Alarm value (r2124, interpret decimal):

1: error for IF PZD receive.

2: error for IF PZD send.

Note:

IF: interface

Remedy:

Map fewer process data in PDO.

Apply one of the following options to delete the alarm:

- POWER ON (off/on).
- carry out a warm restart (p0009 = 30, p0976 = 2).
- execute CANopen NMT command reset node.
- change CANopen NMT state.
- delete alarm buffer [0...7] (p2111 = 0).

A08800 PROFenergy energy-saving mode active

Message class: Communication error to the higher-level control system (9)

Reaction: NONE

Acknowledge: NONE

Cause: The PROFenergy energy-saving mode is active

Alarm value (r2124, interpret decimal):

Mode ID of the active PROFenergy energy-saving mode.

See also: r5600 (Pe energy saving mode ID)

Remedy: The alarm automatically disappears when the energy-saving mode is exited.

Note:

After receiving the PROFenergy command "End_Pause" via PROFINET, the energy-saving mode is exited.

A08802 PROFenergy not possible to switch off incremental encoder supply

Message class: Communication error to the higher-level control system (9)

Reaction: NONE

Acknowledge: NONE

Cause: The incremental encoder is used for the closed-loop position control. This means that its power supply cannot be switched off during the PROFenergy energy-saving mode, otherwise it would lose its position actual value.

Alarm value (r2124, interpret decimal):

Encoder number

Remedy: The alarm automatically disappears when the energy-saving mode is exited.

Note:

After receiving the PROFenergy command "End_Pause" via PROFINET, the energy-saving mode is exited.

F13009 Licensing OA application not licensed

Message class: Error in the parameterization / configuration / commissioning procedure (18)

Reaction: OFF1

Acknowledge: IMMEDIATELY

Cause: At least one OA application which is under license does not have a license.

Note:

Refer to r4955 and p4955 for information about the installed OA applications.

Remedy: - enter and activate the license key for OA applications under license (p9920, p9921).

- if necessary, de-activate unlicensed OA applications (p4956).

F13100 Know-how protection: Copy protection error

Message class: Error in the parameterization / configuration / commissioning procedure (18)

Reaction: OFF1

Acknowledge: IMMEDIATELY

Cause: The know-how protection with copy protection for the memory card is active.

An error has occurred when checking the memory card.

Fault value (r0949, interpret decimal):

0: A memory card is not inserted.

1: An invalid memory card is inserted (not SIEMENS).

4 Faults and alarms

4.2 List of faults and alarms

2: An invalid memory card is inserted.
3: The memory card is being used in another Control Unit.
12: An invalid memory card is inserted (OEM input incorrect, p7769).
13: The memory card is being used in another Control Unit (OEM input incorrect, p7759).
See also: p7765 (KHP configuration)

Remedy:

Re fault value = 0, 1:
- Insert the correct memory card and carry out POWER ON.
Re fault value = 2, 3, 12, 13:
- contact the responsible OEM.
- Deactivate copy protection (p7765) and acknowledge the fault (p3981).
- Deactivate know-how protection (p7766 ... p7768) and acknowledge the fault (p3981).
Note:
In general, the copy protection can only be changed when know-how protection is deactivated.
KHP: Know-How Protection
See also: p3981 (Faults acknowledge drive object), p7765 (KHP configuration)

F13101**Know-how protection: Copy protection cannot be activated**

Message class:

Error in the parameterization / configuration / commissioning procedure (18)

Reaction:

NONE

Acknowledge:

IMMEDIATELY

Cause:

An error occurred when attempting to activate the copy protection for the memory card.
Fault value (r0949, interpret decimal):
0: A memory card is not inserted.
1: An invalid memory card is inserted (not SIEMENS).
Note:

Remedy:

KHP: Know-How Protection
- Insert a valid memory card.
- Try to activate copy protection again (p7765).
See also: p7765 (KHP configuration)

F13102**Know-how protection: Consistency error of the protected data**

Message class:

Error in the parameterization / configuration / commissioning procedure (18)

Reaction:

OFF1

Acknowledge:

IMMEDIATELY

Cause:

An error was identified when checking the consistency of the protected files. As a consequence, the project on the memory card cannot be run.
Fault value (r0949, interpret hexadecimal):
yyyyxxxx hex: yyyy = object number, xxxx = fault cause
xxxx = 1:
A file has a checksum error.
xxxx = 2:
The files are not consistent with one another.
xxxx = 3:
The project files, which were loaded into the file system via load (download from the memory card), are inconsistent.
Note:
KHP: Know-How Protection

Remedy:

- Replace the project on the memory card or replace project files for download from the memory card.
- Restore the factory setting and download again.

F30001**Power unit: Overcurrent**

Message class:

Power electronics faulted (5)

Reaction:

OFF2

Acknowledge:

IMMEDIATELY

Cause:

The power unit has detected an overcurrent condition.
- closed-loop control is incorrectly parameterized.
- motor has a short-circuit or fault to ground (frame).

- U/f operation: Up ramp set too low.
- U/f operation: rated current of motor much greater than that of power unit.
- High discharge and post-charging current for line supply voltage interruptions.
- High post-charging currents for overload when motoring and DC link voltage dip.
- Short-circuit currents at power-on due to the missing line reactor.
- power cables are not correctly connected.
- power cables exceed the maximum permissible length.
- power unit defective.
- line phase interrupted.

Fault value (r0949, interpret bitwise binary):

Bit 0: Phase U.

Bit 1: Phase V.

Bit 2: Phase W.

Bit 3: Overcurrent in the DC link.

Note:

Fault value = 0 means that the phase with overcurrent is not recognized.

Remedy:

- check the motor data - if required, carry out commissioning.
- check the motor circuit configuration (star/delta).
- U/f operation: Increase up ramp.
- U/f operation: Check assignment of rated currents of motor and power unit.
- check the line supply quality.
- Reduce motor load.
- Correct connection of line reactor.
- check the power cable connections.
- check the power cables for short-circuit or ground fault.
- check the length of the power cables.
- replace power unit.
- check the line supply phases.

F30002 Power unit: DC link voltage overvoltage

Message class: DC link overvoltage (4)

Reaction: OFF2

Acknowledge: IMMEDIATELY

Cause: The power unit has detected an overvoltage condition in the DC link.

- motor regenerates too much energy.
- line supply voltage too high.
- line phase interrupted.
- DC-link voltage control switched off.
- dynamic response of DC-link voltage controller excessive or insufficient.

Fault value (r0949, interpret decimal):

DC link voltage at the time of trip [0.1 V].

Remedy:

- increase the ramp-down time (p1121).
 - set the rounding times (p1130, p1136). This is particularly recommended in U/f operation to relieve the DC link voltage controller with rapid ramp-down times of the ramp-function generator.
 - Activate the DC link voltage controller (p1240, p1280).
 - adapt the dynamic response of the DC-link voltage controller (p1243, p1247, p1283, p1287).
 - check the line supply voltage and setting in p0210.
 - check and correct the phase assignment at the power unit.
 - check the line supply phases.
- See also: p0210 (Drive unit line supply voltage), p1240 (Vdc controller configuration (vector control))

F30003 Power unit: DC link voltage undervoltage

Message class:	Infeed faulted (13)
Reaction:	OFF2
Acknowledge:	IMMEDIATELY
Cause:	The power unit has detected an undervoltage condition in the DC link. <ul style="list-style-type: none">- line supply failure- line supply voltage below the permissible value.- line phase interrupted. <p>Note:</p> <p>The monitoring threshold for the DC link undervoltage is the minimum of the following values:</p> <ul style="list-style-type: none">- for a calculation, refer to p0210.
Remedy:	<ul style="list-style-type: none">- check the line supply voltage- check the line supply phases. See also: p0210 (Drive unit line supply voltage)

F30004 Power unit: Overtemperature heat sink AC inverter

Message class:	Power electronics faulted (5)
Reaction:	OFF2
Acknowledge:	IMMEDIATELY
Cause:	The temperature of the power unit heat sink has exceeded the permissible limit value. <ul style="list-style-type: none">- insufficient cooling, fan failure.- overload.- ambient temperature too high.- pulse frequency too high. <p>Fault value (r0949):</p> <p>Temperature [1 bit = 0.01 °C].</p>
Remedy:	<ul style="list-style-type: none">- check whether the fan is running.- check the fan elements.- check whether the ambient temperature is in the permissible range.- check the motor load.- reduce the pulse frequency if this is higher than the rated pulse frequency. <p>Notice:</p> <p>This fault can only be acknowledged after this alarm threshold for alarm A05000 has been undershot.</p> See also: p1800 (Pulse frequency setpoint)

F30005 Power unit: Overload I2t

Message class:	Power electronics faulted (5)
Reaction:	OFF2
Acknowledge:	IMMEDIATELY
Cause:	The power unit was overloaded (r0036 = 100 %). <ul style="list-style-type: none">- the permissible rated power unit current was exceeded for an inadmissibly long time.- the permissible load duty cycle was not maintained. <p>Fault value (r0949, interpret decimal):</p> <p>I2t [100 % = 16384].</p>
Remedy:	<ul style="list-style-type: none">- reduce the continuous load.- adapt the load duty cycle.- check the motor and power unit rated currents.- reduce the current limit (p0640).- during operation with U/f characteristic: reduce the integral time of the current limiting controller (p1341). See also: r0036 (Power unit overload I2t), r0206 (Rated power unit power), p0307 (Rated motor power)

F30011 Power unit: Line phase failure in main circuit

Message class: Network fault (2)
Reaction: OFF2 (OFF1)
Acknowledge: IMMEDIATELY
Cause: At the power unit, the DC link voltage ripple has exceeded the permissible limit value.
Possible causes:
- A line phase has failed.
- The 3 line phases are inadmissibly unsymmetrical.
- The capacitance of the DC link capacitor forms a resonance frequency with the line inductance and the reactor integrated in the power unit.
- the fuse of a phase of a main circuit has ruptured.
- A motor phase has failed.
Fault value (r0949, interpret decimal):
Only for internal Siemens troubleshooting.
Remedy:
- check the main circuit fuses.
- Check whether a single-phase load is distorting the line voltages.
- Detune the resonant frequency with the line inductance by using an upstream line reactor.
- Dampen the resonant frequency with the line inductance by switching over the DC link voltage compensation in the software (see p1810) – or increase the smoothing (see p1806). However, this can have a negative impact on the torque ripple at the motor output.
- check the motor feeder cables.

F30012 Power unit: Temperature sensor heat sink wire breakage

Message class: Power electronics faulted (5)
Reaction: OFF1 (OFF2)
Acknowledge: IMMEDIATELY
Cause: The connection to a heat sink temperature sensor in the power unit is interrupted.
Fault value (r0949, interpret hexadecimal):
Bit 0: Module slot (electronics slot)
Bit 1: Air intake
Bit 2: Inverter 1
Bit 3: Inverter 2
Bit 4: Inverter 3
Bit 5: Inverter 4
Bit 6: Inverter 5
Bit 7: Inverter 6
Bit 8: Rectifier 1
Bit 9: Rectifier 2
Remedy: Contact the manufacturer.

F30013 Power unit: Temperature sensor heat sink short-circuit

Message class: Power electronics faulted (5)
Reaction: OFF1 (OFF2)
Acknowledge: IMMEDIATELY
Cause: The heat sink temperature sensor in the power unit is short-circuited.
Fault value (r0949, interpret hexadecimal):
Bit 0: Module slot (electronics slot)
Bit 1: Air intake
Bit 2: Inverter 1
Bit 3: Inverter 2
Bit 4: Inverter 3
Bit 5: Inverter 4
Bit 6: Inverter 5
Bit 7: Inverter 6

4 Faults and alarms

4.2 List of faults and alarms

Bit 8: Rectifier 1
Bit 9: Rectifier 2
Remedy: Contact the manufacturer.

F30015 (N, A) Power unit: Phase failure motor cable
Message class: Application / technological function faulted (17)
Reaction: OFF2 (NONE, OFF1, OFF3)
Acknowledge: IMMEDIATELY
Cause: A phase failure in the motor feeder cable was detected.
The signal can also be output in the following cases:
- The motor is correctly connected, but the drive has stalled in U/f control. In this case, a current of 0 A is possibly measured in one phase due to asymmetry of the currents.
- the motor is correctly connected, however the closed-speed control is instable and therefore an oscillating torque is generated.
Note:
Chassis power units do not feature phase failure monitoring.
Remedy:
- check the motor feeder cables.
- increase the ramp-up or ramp-down time (p1120) if the drive has stalled in U/f control.
- check the speed controller settings.

A30016 (N) Power unit: Load supply switched out
Message class: Network fault (2)
Reaction: NONE
Acknowledge: NONE
Cause: The DC link voltage is too low.
Alarm value (r2124, interpret decimal):
DC link voltage at the time of trip [0.1 V].
Remedy: Under certain circumstances, the AC line supply is not switched on.

F30017 Power unit: Hardware current limit has responded too often
Message class: Power electronics faulted (5)
Reaction: OFF2
Acknowledge: IMMEDIATELY
Cause: The hardware current limitation in the relevant phase (see A30031, A30032, A30033) has responded too often. The number of times the limit has been exceeded depends on the design and type of power unit.
- closed-loop control is incorrectly parameterized.
- fault in the motor or in the power cables.
- the power cables exceed the maximum permissible length.
- motor load too high
- power unit defective.
Fault value (r0949, interpret binary):
Bit 0: Phase U
Bit 1: Phase V
Bit 2: Phase W
Remedy:
- check the motor data.
- check the motor circuit configuration (star-delta).
- check the motor load.
- check the power cable connections.
- check the power cables for short-circuit or ground fault.
- check the length of the power cables.
- replace power unit.

F30021 Power unit: Ground fault

Message class: Ground fault / inter-phase short-circuit detected (7)
Reaction: OFF2
Acknowledge: IMMEDIATELY
Cause: The Power unit has detected a ground fault.
Possible causes:
- ground fault in the power cables.
- Ground fault at the motor.
- CT defective.
- when the brake closes, this causes the hardware DC current monitoring to respond.
- short-circuit at the braking resistor.
Fault value (r0949, interpret decimal):
0:
- the hardware DC current monitoring has responded.
- short-circuit at the braking resistor.
> 0:
Absolute value, summation current [32767 = 271 % rated current].
Remedy:
- check the power cable connections.
- check the motor.
- check the CT.
- check the cables and contacts of the brake connection (a wire is possibly broken).
- check the braking resistor.
See also: p0287 (Ground fault monitoring thresholds)

F30022 Power unit: Monitoring U_{ce}

Message class: Ground fault / inter-phase short-circuit detected (7)
Reaction: OFF2
Acknowledge: POWER ON
Cause: In the power unit, the monitoring of the collector-emitter voltage (U_{ce}) of the semiconductor has responded.
Possible causes:
- fiber-optic cable interrupted.
- power supply of the IGBT gating module missing.
- short-circuit at the power unit output.
- defective semiconductor in the power unit.
Fault value (r0949, interpret binary):
Bit 0: Short-circuit in phase U
Bit 1: Short circuit in phase V
Bit 2: Short-circuit in phase W
Bit 3: Light transmitter enable defective
Bit 4: U_{ce} group fault signal interrupted
See also: r0949 (Fault value)
Remedy:
- check the fiber-optic cable and if required, replace.
- check the power supply of the IGBT gating module (24 V).
- check the power cable connections.
- select the defective semiconductor and replace.

F30024 Power unit: Overtemperature thermal model

Message class: Power electronics faulted (5)
Reaction: OFF2
Acknowledge: IMMEDIATELY
Cause: The temperature difference between the heat sink and chip has exceeded the permissible limit value.
- the permissible load duty cycle was not maintained.
- insufficient cooling, fan failure.
- overload.

4 Faults and alarms

4.2 List of faults and alarms

- ambient temperature too high.
 - pulse frequency too high.
- See also: r0037 (Power unit temperatures)

Remedy:

- adapt the load duty cycle.
- check whether the fan is running.
- check the fan elements.
- check whether the ambient temperature is in the permissible range.
- check the motor load.
- reduce the pulse frequency if this is higher than the rated pulse frequency.
- if DC braking is active: reduce braking current (p1232).

F30025

Power unit: Chip overtemperature

Message class:

Power electronics faulted (5)

Reaction:

OFF2

Acknowledge:

IMMEDIATELY

Cause:

The chip temperature of the semiconductor has exceeded the permissible limit value.

- the permissible load duty cycle was not maintained.
- insufficient cooling, fan failure.
- overload.
- ambient temperature too high.
- pulse frequency too high.

Fault value (r0949, interpret decimal):

Temperature difference between the heat sink and chip [0.01 °C].

Remedy:

- adapt the load duty cycle.
- check whether the fan is running.
- check the fan elements.
- check whether the ambient temperature is in the permissible range.
- check the motor load.
- reduce the pulse frequency if this is higher than the rated pulse frequency.

Notice:

This fault can only be acknowledged after this alarm threshold for alarm A05001 has been undershot.

See also: r0037 (Power unit temperatures)

F30027

Power unit: Precharging DC link time monitoring

Message class:

Infeed faulted (13)

Reaction:

OFF2

Acknowledge:

IMMEDIATELY

Cause:

The power unit DC link was not able to be pre-charged within the expected time.

- 1) There is no line supply voltage connected.
- 2) The line contactor/line side switch has not been closed.
- 3) The line supply voltage is too low.
- 4) Line supply voltage incorrectly set (p0210).
- 5) The pre-charging resistors are overheated as there were too many pre-charging operations per time unit.
- 6) The pre-charging resistors are overheated as the DC link capacitance is too high.
- 7) The DC link has either a ground fault or a short-circuit.
- 8) Pre-charging circuit may be defective.

Fault value (r0949, interpret binary):

yyyyxxxx hex:

yyyy = power unit state

0: Fault status (wait for OFF and fault acknowledgement).

1: Restart inhibit (wait for OFF).

2: Overvoltage condition detected -> change into the fault state.

3: Undervoltage condition detected -> change into the fault state.

4: Wait for bridging contactor to open -> change into the fault state.

5: Wait for bridging contactor to open -> change into restart inhibit.

- 6: Commissioning.
 - 7: Ready for pre-charging.
 - 8: Pre-charging started, DC link voltage less than the minimum switch-on voltage.
 - 9: Pre-charging, DC link voltage end of pre-charging still not detected.
 - 10: Wait for the end of the de-bounce time of the main contactor after pre-charging has been completed.
 - 11: Pre-charging completed, ready for pulse enable.
 - 12: Reserved.
- xxxx = Missing internal enable signals, power unit (inverted bit-coded, FFFF hex -> all internal enable signals available)
- Bit 0: Power supply of the IGBT gating shut down.
 - Bit 1: Ground fault detected.
 - Bit 2: Peak current intervention.
 - Bit 3: I2t exceeded.
 - Bit 4: Thermal model overtemperature calculated.
 - Bit 5: (heat sink, gating module, power unit) overtemperature measured.
 - Bit 6: Reserved.
 - Bit 7: Overvoltage detected.
 - Bit 8: Power unit has completed pre-charging, ready for pulse enable.
 - Bit 9: Reserved.
 - Bit 10: Overcurrent detected.
 - Bit 11: Reserved.
 - Bit 12: Reserved.
 - Bit 13: Vce fault detected, transistor de-saturated due to overcurrent/short-circuit.
 - Bit 14: Undervoltage detected.
- See also: p0210 (Drive unit line supply voltage)

Remedy:

- In general:
- check the line supply voltage at the input terminals.
 - check the line supply voltage setting (p0210).
 - wait until the pre-charging resistors have cooled down. For this purpose, preferably disconnect the infeed unit from the line supply.
- Re 5):
- carefully observe the permissible pre-charging frequency (refer to the appropriate Equipment Manual).
- Re 6):
- check the capacitance of the DC link and, if necessary, reduce it in accordance with the maximum permissible DC link capacitance (see relevant Equipment Manual).
- Re 7):
- check the DC link for a ground fault or short circuit.
- See also: p0210 (Drive unit line supply voltage)

A30030 Power unit: Internal overtemperature alarm

- Message class:** Power electronics faulted (5)
- Reaction:** NONE
- Acknowledge:** NONE
- Cause:** The temperature inside the drive converter has exceeded the permissible temperature limit.
- insufficient cooling, fan failure.
 - overload.
 - ambient temperature too high.

Alarm value (r2124, interpret decimal):
Only for internal Siemens troubleshooting.

- Remedy:**
- possibly use an additional fan.
 - check whether the ambient temperature is in the permissible range.

Notice:
This fault can only be acknowledged once the permissible temperature limit minus 5 K has been fallen below.

A30031 Power unit: Hardware current limiting in phase U

Message class: Power electronics faulted (5)

Reaction: NONE

Acknowledge: NONE

Cause: Hardware current limit for phase U responded. The pulsing in this phase is inhibited for one pulse period.

- closed-loop control is incorrectly parameterized.
- fault in the motor or in the power cables.
- the power cables exceed the maximum permissible length.
- motor load too high
- power unit defective.

Note:

Alarm A30031 is always output if, for a Power Module, the hardware current limiting of phase U, V or W responds.

Remedy:

- check the motor data and if required, recalculate the control parameters (p0340 = 3). As an alternative, run a motor data identification (p1910 = 1, p1960 = 1).
- check the motor circuit configuration (star/delta).
- check the motor load.
- check the power cable connections.
- check the power cables for short-circuit or ground fault.
- check the length of the power cables.

A30032 Power unit: Hardware current limiting in phase V

Message class: Power electronics faulted (5)

Reaction: NONE

Acknowledge: NONE

Cause: Hardware current limit for phase V responded. The pulsing in this phase is inhibited for one pulse period.

- closed-loop control is incorrectly parameterized.
- fault in the motor or in the power cables.
- the power cables exceed the maximum permissible length.
- motor load too high
- power unit defective.

Note:

Alarm A30031 is always output if, for a Power Module, the hardware current limiting of phase U, V or W responds.

Remedy:

Check the motor data and if required, recalculate the control parameters (p0340 = 3). As an alternative, run a motor data identification (p1910 = 1, p1960 = 1).

- check the motor circuit configuration (star/delta).
- check the motor load.
- check the power cable connections.
- check the power cables for short-circuit or ground fault.
- check the length of the power cables.

A30033 Power unit: Hardware current limiting in phase W

Message class: Power electronics faulted (5)

Reaction: NONE

Acknowledge: NONE

Cause: Hardware current limit for phase W responded. The pulsing in this phase is inhibited for one pulse period.

- closed-loop control is incorrectly parameterized.
- fault in the motor or in the power cables.
- the power cables exceed the maximum permissible length.
- motor load too high
- power unit defective.

Note:

Alarm A30031 is always output if, for a Power Module, the hardware current limiting of phase U, V or W responds.

Remedy:

- check the motor data and if required, recalculate the control parameters (p0340 = 3). As an alternative, run a motor data identification (p1910 = 1, p1960 = 1).
- check the motor circuit configuration (star/delta).

- check the motor load.
- check the power cable connections.
- check the power cables for short-circuit or ground fault.
- check the length of the power cables.

A30034 Power unit: Internal overtemperature

Message class: Power electronics faulted (5)
Reaction: NONE
Acknowledge: NONE
Cause: The alarm threshold for internal overtemperature has been reached.
 If the temperature inside the unit continues to increase, fault F30036 may be triggered.
 - ambient temperature might be too high.
 - insufficient cooling, fan failure.
 Fault value (r0949, interpret decimal):
 Only for internal Siemens troubleshooting.
Remedy: - check the ambient temperature.
 - check the fan for the inside of the unit.

F30035 Power unit: Air intake overtemperature

Message class: Power electronics faulted (5)
Reaction: OFF1 (OFF2)
Acknowledge: IMMEDIATELY
Cause: The air intake in the power unit has exceeded the permissible temperature limit.
 For air-cooled power units, the temperature limit is at 55 °C.
 - ambient temperature too high.
 - insufficient cooling, fan failure.
 Fault value (r0949, interpret decimal):
 Temperature [0.01 °C].
Remedy: - check whether the fan is running.
 - check the fan elements.
 - check whether the ambient temperature is in the permissible range.
 Notice:
 This fault can only be acknowledged after this alarm threshold for alarm A05002 has been undershot.

F30036 Power unit: Internal overtemperature

Message class: Power electronics faulted (5)
Reaction: OFF2
Acknowledge: IMMEDIATELY
Cause: The temperature inside the drive converter has exceeded the permissible temperature limit.
 - insufficient cooling, fan failure.
 - overload.
 - ambient temperature too high.
 Fault value (r0949, interpret decimal):
 Only for internal Siemens troubleshooting.
Remedy: - check whether the fan is running.
 - check the fan elements.
 - check whether the ambient temperature is in the permissible range.
 Notice:
 This fault can only be acknowledged once the permissible temperature limit minus 5 K has been fallen below.

F30037 Power unit: Rectifier overtemperature

Message class: Power electronics faulted (5)
Reaction: OFF2
Acknowledge: IMMEDIATELY
Cause: The temperature in the rectifier of the power unit has exceeded the permissible temperature limit.
- insufficient cooling, fan failure.
- overload.
- ambient temperature too high.
- line supply phase failure.
Fault value (r0949, interpret decimal):
Temperature [0.01 °C].
Remedy:
- check whether the fan is running.
- check the fan elements.
- check whether the ambient temperature is in the permissible range.
- check the motor load.
- check the line supply phases.
Notice:
This fault can only be acknowledged after this alarm threshold for alarm A05004 has been undershot.

A30042 Power unit: Fan has reached the maximum operating hours

Message class: Power electronics faulted (5)
Reaction: NONE
Acknowledge: NONE
Cause: The maximum operating time of at least one fan will soon be reached, or has already been exceeded.
Fault value (r0949, interpret binary):
Bit 0: heat sink fan will reach the maximum operating time in 500 hours.
Bit 1: heat sink fan has exceeded the maximum operating time.
Bit 8: internal device fan will reach the maximum operating time in 500 hours.
Bit 9: internal device fan has exceeded the maximum operating time.
Note:
The maximum operating time of the heat sink fan in the power unit is displayed in p0252.
The maximum operating time of the internal device fan in the power unit is internally specified and is fixed.
Remedy:
For the fan involved, carry out the following:
- replace the fan.
- reset the operating hours counter (p0251, p0254).

A30049 Power unit: Internal fan faulty

Message class: Auxiliary unit faulted (20)
Reaction: NONE
Acknowledge: NONE
Cause: The internal fan has failed.
Remedy: Check the internal fan and replace if necessary.

F30051 Power unit: Motor holding brake short circuit detected

Message class: External measured value / signal state outside the permissible range (16)
Reaction: OFF2
Acknowledge: IMMEDIATELY
Cause: A short-circuit at the motor holding brake terminals has been detected.
Fault value (r0949, interpret decimal):
Only for internal Siemens troubleshooting.
Remedy:
- check the motor holding brake for a short-circuit.
- check the connection and cable for the motor holding brake.

F30052	EEPROM data error
Message class:	Hardware / software error (1)
Reaction:	OFF2
Acknowledge:	POWER ON
Cause:	EEPROM data error of the power unit module. Fault value (r0949, interpret decimal): 0, 2, 3, 4: The EEPROM data read in from the power unit module is inconsistent. 1: EEPROM data is not compatible to the firmware of the Control Unit.
Remedy:	Replace power unit module.

A30054 (F, N)	Power unit: Undervoltage when opening the brake
Message class:	Supply voltage fault (undervoltage) (3)
Reaction:	NONE
Acknowledge:	NONE
Cause:	When the brake is being opened, it is detected that the power supply voltage is less than $24\text{ V} - 10\% = 21.6\text{ V}$. Alarm value (r2124, interpret decimal): Supply voltage fault [0.1 V]. Example: Alarm value = 195 --> voltage = 19.5 V
Remedy:	Check the 24 V voltage for stability and value.

F30055	Power unit: Braking chopper overcurrent
Message class:	Braking Module faulted (14)
Reaction:	OFF2
Acknowledge:	IMMEDIATELY
Cause:	An overcurrent condition has occurred in the braking chopper.
Remedy:	- check whether the braking resistor has a short circuit. - for an external braking resistor, check whether the resistor may have been dimensioned too small. Note: The braking chopper is only enabled again at pulse enable after the fault has been acknowledged.

A30057	Power unit: Line asymmetry
Message class:	Network fault (2)
Reaction:	NONE
Acknowledge:	NONE
Cause:	Frequencies have been detected on the DC link voltage that would suggest line asymmetry or failure of a line phase. It is also possible that a motor phase has failed. Fault F30011 is output if the alarm is present and at the latest after 5 minutes. The precise duration depends on the power unit type and the particular frequencies. For booksize and chassis power units, the duration also depends on how long the alarm has been active. Alarm value (r2124, interpret decimal): Only for internal Siemens troubleshooting.
Remedy:	- check the line phase connection. - check the motor feeder cable connections. If there is no phase failure of the line or motor, then line asymmetry is involved. - reduce the power in order to avoid fault F30011.

F30059	Power unit: Internal fan faulty
Message class:	Auxiliary unit faulted (20)
Reaction:	OFF2
Acknowledge:	IMMEDIATELY
Cause:	The internal power unit fan has failed and is possibly defective.
Remedy:	Check the internal fan and replace if necessary.

A30065 (F, N)	Voltage measured values not plausible
Message class:	Power electronics faulted (5)
Reaction:	NONE
Acknowledge:	NONE
Cause:	The voltage measurement supplies values that are not plausible Bit01: Phase U. Bit02: Phase V. Bit03: Phase W.
Remedy:	- Deactivate voltage measurement (p247.0 = 0). - Deactivate flying restart with voltage measurement (p247.5 = 0) and deactivate fast flying restart (p1780.11 = 0).
F30071	No new actual values received from the Power Module
Message class:	Internal (DRIVE-CLiQ) communication error (12)
Reaction:	OFF2
Acknowledge:	IMMEDIATELY
Cause:	More than one actual value telegram from the power unit module has failed.
Remedy:	Check the interface (adjustment and locking) to the power unit module.
F30072	Setpoints can no longer be transferred to the Power Module
Message class:	Internal (DRIVE-CLiQ) communication error (12)
Reaction:	OFF2
Acknowledge:	IMMEDIATELY
Cause:	More than one setpoint telegram was not able to be transferred to the power unit module.
Remedy:	Check the interface (adjustment and locking) to the power unit module.
F30074 (A)	Communication error between the Control Unit and Power Module
Message class:	Internal (DRIVE-CLiQ) communication error (12)
Reaction:	NONE
Acknowledge:	IMMEDIATELY
Cause:	Communications between the Control Unit (CU) and Power Module (PM) via the interface no longer possible. The CU may have been withdrawn or is incorrectly inserted. Fault value (r0949, interpret hexadecimal): 0 hex: - a Control Unit with external 24 V supply was withdrawn from the Power Module during operation. - with the Power Module switched off, the external 24 V supply for the Control unit was interrupted for some time. 1 hex: The Control Unit was withdrawn from the Power Module during operation, although the encoderless safe motion monitoring functions are enabled. This is not supported. After re-inserting the Control Unit in operation, communications to the Power Module no longer possible. 20A hex: The Control Unit was inserted on a Power Module, which has another code number. 20B hex: The Control Unit was inserted on a Power Module, which although it has the same code number, has a different serial number. The Control Unit executes an automatic warm restart to accept the new calibration data.
Remedy:	For fault value = 0 and 20A hex: Insert the Control Unit on an appropriate Power Module and continue operation. If required, carry out a POWER ON of the Control Unit. For fault value = 1 hex: Carry out a POWER ON of the Control Unit.

F30075	Configuration of the power unit unsuccessful
Message class:	Internal (DRIVE-CLiQ) communication error (12)
Reaction:	OFF2
Acknowledge:	IMMEDIATELY
Cause:	A communication error has occurred while configuring the power unit using the Control Unit. The cause is not clear. Fault value (r0949, interpret decimal): 0: The output filter initialization was unsuccessful. 1: Activation/deactivation of the regenerative feedback functionality was unsuccessful.
Remedy:	<ul style="list-style-type: none">- acknowledge the fault and continue operation.- if the fault reoccurs, carry out a POWER ON (switch off/on).- if required, replace the power unit.
<hr/>	
F30080	Power unit: Current increasing too quickly
Message class:	Power electronics faulted (5)
Reaction:	OFF2
Acknowledge:	IMMEDIATELY
Cause:	The power unit has detected an excessive rate of rise in the overvoltage range. <ul style="list-style-type: none">- closed-loop control is incorrectly parameterized.- motor has a short-circuit or fault to ground (frame).- U/f operation: Up ramp set too low.- U/f operation: rated current of motor much greater than that of power unit.- power cables are not correctly connected.- power cables exceed the maximum permissible length.- power unit defective. Fault value (r0949, interpret bitwise binary): Bit 0: Phase U. Bit 1: Phase V. Bit 2: Phase W.
Remedy:	<ul style="list-style-type: none">- check the motor data - if required, carry out commissioning.- check the motor circuit configuration (star-delta)- U/f operation: Increase up ramp.- U/f operation: Check assignment of rated currents of motor and power unit.- check the power cable connections.- check the power cables for short-circuit or ground fault.- check the length of the power cables.- replace power unit.
<hr/>	
F30081	Power unit: Switching operations too frequent
Message class:	Power electronics faulted (5)
Reaction:	OFF2
Acknowledge:	IMMEDIATELY
Cause:	The power unit has executed too many switching operations for current limitation. <ul style="list-style-type: none">- closed-loop control is incorrectly parameterized.- motor has a short-circuit or fault to ground (frame).- U/f operation: Up ramp set too low.- U/f operation: rated current of motor much greater than that of power unit.- power cables are not correctly connected.- power cables exceed the maximum permissible length.- power unit defective. Fault value (r0949, interpret bitwise binary): Bit 0: Phase U. Bit 1: Phase V. Bit 2: Phase W.

4 Faults and alarms

4.2 List of faults and alarms

- Remedy:**
- check the motor data - if required, carry out commissioning.
 - check the motor circuit configuration (star-delta)
 - U/f operation: Increase up ramp.
 - U/f operation: Check assignment of rated currents of motor and power unit.
 - check the power cable connections.
 - check the power cables for short-circuit or ground fault.
 - check the length of the power cables.
 - replace power unit.

F30105

PU: Actual value sensing fault

- Message class:** Power electronics faulted (5)
Reaction: OFF2
Acknowledge: IMMEDIATELY
Cause: At least one incorrect actual value channel was detected on the Power Stack Adapter (PSA).
The incorrect actual value channels are displayed in the following diagnostic parameters.
- Remedy:** Evaluate the diagnostic parameters.
If the actual value channel is incorrect, check the components and if required, replace.

A30502

Power unit: DC link overvoltage

- Message class:** DC link overvoltage (4)
Reaction: NONE
Acknowledge: NONE
Cause: The power unit has detected overvoltage in the DC link on a pulse inhibit.
- device connection voltage too high.
- line reactor incorrectly dimensioned.
Alarm value (r0949, interpret decimal):
DC link voltage [1 bit = 100 mV].
See also: r0070 (Actual DC link voltage)
- Remedy:**
- check the device supply voltage (p0210).
- check the dimensioning of the line reactor.
See also: p0210 (Drive unit line supply voltage)

F30600

SI P2: STOP A initiated

- Message class:** Safety monitoring channel has identified an error (10)
Reaction: OFF2
Acknowledge: IMMEDIATELY (POWER ON)
Cause: The drive-integrated "Safety Integrated" function on processor 2 has detected an error and initiated a STOP A.
- forced checking procedure of the safety shutdown path via processor 2 unsuccessful.
- subsequent response to fault F30611 (defect in a monitoring channel).
Fault value (r0949, interpret decimal):
0: Stop request from processor 1.
1005: Pulses suppressed although STO not selected and there is no internal STOP A present.
1010: Pulses enabled although STO is selected or an internal STOP A is present.
1011: Internal fault for the pulse enable in the Power Module.
9999: Subsequent response to fault F30611.
- Remedy:**
- select Safe Torque Off and de-select again.
- carry out a POWER ON (power off/on) for all components.
- replace Power Module involved.
For fault value = 9999:
- carry out diagnostics for fault F30611.
Note:
STO: Safe Torque Off

F30611 (A)	SI P2: Defect in a monitoring channel
Message class:	Safety monitoring channel has identified an error (10)
Reaction:	NONE (OFF1, OFF2, OFF3)
Acknowledge:	IMMEDIATELY (POWER ON)
Cause:	<p>The drive-integrated "Safety Integrated" function on processor 2 has detected a fault in the crosswise data comparison between the two monitoring channels and has initiated a STOP F.</p> <p>As a consequence of this fault, fault F30600 (SI P2: STOP A initiated) is output.</p> <p>Fault value (r0949, interpret decimal):</p> <p>0: Stop request from processor 1.</p> <p>1 ... 999:</p> <p>Number of the cross-compared data that resulted in this fault. This number is also displayed in r9795.</p> <p>2: SI enable safety functions (p9601, p9801). Crosswise data comparison is only carried out for the supported bits.</p> <p>3: SI F-DI changeover tolerance time (p9650, p9850).</p> <p>8: SI PROFIsafe address (p9610, p9810).</p> <p>9: SI debounce time for STO (p9651, p9851).</p> <p>1000: Watchdog timer has expired.</p> <p>Within the time of approx. 5 x p9650, alternatively, the following was defined:</p> <ul style="list-style-type: none">- Too many signal changes have occurred at the F-DI.- Via PROFIsafe, STO was too frequently initiated (also as subsequent response). <p>1001, 1002: Initialization error, change timer / check timer.</p> <p>2000: Status of the STO selection for both monitoring channels are different.</p> <p>2001: Feedback of the safe pulse suppression on the two monitoring channels are different.</p> <p>2002: Statuses of the delay timer SS1 on both monitoring channels are different (status of the timer in p9650/p9850).</p> <p>2003: Status of the STO terminal on the processor 1 and processor 2 are different.</p> <p>6000 ... 6999:</p> <p>Error in the PROFIsafe control.</p> <p>For these fault values, the failsafe control signals (failsafe values) are transferred to the safety functions.</p> <p>The significance of the individual message values is described in safety fault F01611.</p>
Remedy:	<p>Re fault values 1 ... 999 described in "Cause":</p> <ul style="list-style-type: none">- check the cross data comparison that resulted in a STOP F.- carry out a POWER ON (power off/on). <p>For fault value = 1000:</p> <ul style="list-style-type: none">- check the wiring of the F-DI (contact problems).- PROFIsafe: Remove contact problems/faults at the PROFIBUS master/PROFINET controller.- check the tolerance time F-DI changeover and if required, increase the value (p9650/p9850). <p>Re fault value = 1001, 1002:</p> <ul style="list-style-type: none">- carry out a POWER ON (power off/on). <p>Re fault value = 2000, 2001, 2002, 2003:</p> <ul style="list-style-type: none">- check the tolerance time F-DI changeover and if required, increase the value (p9650/p9850).- check the wiring of the F-DI (contact problems).- check the causes of the STO selection in r9772. <p>Re fault value = 6000 ... 6999:</p> <p>Refer to the description of the message values in safety fault F01611.</p> <p>Re fault values that are described in "Cause":</p> <ul style="list-style-type: none">- carry out a POWER ON (power off/on).- contact the Hotline.- replace Control Unit. <p>Note:</p> <p>F-DI: Failsafe Digital Input STO: Safe Torque Off</p>

N30620 (F, A)	SI P2: Safe Torque Off active
Message class:	Safety monitoring channel has identified an error (10)
Reaction:	NONE
Acknowledge:	NONE
Cause:	The "Safe Torque Off" (STO) function has been selected on processor 2 using the input terminal and is active. Note: This message does not result in a safety stop response.
Remedy:	Not necessary. Note: STO: Safe Torque Off
<hr/>	
F30625	SI P2: Sign-of-life error in safety data
Message class:	Hardware / software error (1)
Reaction:	OFF2
Acknowledge:	IMMEDIATELY (POWER ON)
Cause:	The drive-integrated "Safety Integrated" function on processor 2 has detected an error in the sign-of-life of the safety data and initiated a STOP A. - there is a communication error between processor 1 and processor 2 or communication has failed. - a time slice overflow of the safety software has occurred. Fault value (r0949, interpret decimal): Only for internal Siemens troubleshooting.
Remedy:	- select Safe Torque Off and de-select again. - carry out a POWER ON (power off/on). - check whether additional faults are present and if required, perform diagnostics. - check the electrical cabinet design and cable routing for EMC compliance
<hr/>	
F30649	SI P2: Internal software error
Message class:	Hardware / software error (1)
Reaction:	OFF2
Acknowledge:	IMMEDIATELY (POWER ON)
Cause:	An internal error in the Safety Integrated software on processor 2 has occurred. Note: This fault results in a STOP A that cannot be acknowledged. Fault value (r0949, interpret hexadecimal): Only for internal Siemens troubleshooting.
Remedy:	- carry out a POWER ON (power off/on). - re-commission the "Safety Integrated" function and carry out a POWER ON. - contact the Hotline. - replace Control Unit.
<hr/>	
F30650	SI P2: Acceptance test required
Message class:	Error in the parameterization / configuration / commissioning procedure (18)
Reaction:	OFF2
Acknowledge:	IMMEDIATELY (POWER ON)
Cause:	The drive-integrated "Safety Integrated" function on processor 2 requires an acceptance test. Note: This fault results in a STOP A that can be acknowledged. Fault value (r0949, interpret decimal): 130: Safety parameters for processor 2 not available. Note: This fault value is always output when Safety Integrated is commissioned for the first time. 1000: Reference and actual checksum on processor 2 are not identical (booting). - at least one checksum-checked piece of data is defective. - Safety parameters set offline and loaded into the Control Unit.

2000: Reference and actual checksum on processor 2 are not identical (commissioning mode).
- reference checksum incorrectly entered on processor 2 (p9899 not equal to r9898).
2003: Acceptance test is required as a safety parameter has been changed.
9999: Subsequent response of another safety-related fault that occurred when booting that requires an acceptance test.

Remedy:

For fault value = 130:
- carry out safety commissioning routine.
For fault value = 1000:
- again carry out safety commissioning routine.
- replace the memory card or Control Unit.
- Using STARTER, activate the safety parameters for the drive involved (change settings, copy parameters, activate settings).
For fault value = 2000:
- check the safety parameters on processor 2 and adapt the reference checksum (p9899).
For fault value = 2003:
- Carry out an acceptance test and generate an acceptance report.
For fault value = 9999:
- carry out diagnostics for the other safety-related fault that is present.
See also: p9799 (SI setpoint checksum SI parameters (processor 1)), p9899 (SI setpoint checksum SI parameters (processor 2))

F30651 SI P2: Synchronization with Control Unit unsuccessful

Message class: Hardware / software error (1)
Reaction: OFF2
Acknowledge: IMMEDIATELY (POWER ON)
Cause: The drive-integrated "Safety Integrated" function requires synchronization of the safety time slices on processor 1 and processor 2. This synchronization was unsuccessful.
Note:
This fault results in a STOP A that cannot be acknowledged.
Fault value (r0949, interpret decimal):
Only for internal Siemens troubleshooting.
Remedy: - carry out a POWER ON (power off/on).

F30655 SI P2: Align monitoring functions

Message class: Error in the parameterization / configuration / commissioning procedure (18)
Reaction: OFF2
Acknowledge: IMMEDIATELY (POWER ON)
Cause: An error has occurred when aligning the Safety Integrated monitoring functions on processor 1 and processor 2. No common set of supported SI monitoring functions was able to be determined.
- there is a communication error between processor 1 and processor 2 or communication has failed.
Note:
This fault results in a STOP A that cannot be acknowledged.
Fault value (r0949, interpret hexadecimal):
Only for internal Siemens troubleshooting.
Remedy: - carry out a POWER ON (power off/on).
- check the electrical cabinet design and cable routing for EMC compliance

F30656 SI P2: Parameter processor 2 parameter error

Message class: Hardware / software error (1)
Reaction: OFF2
Acknowledge: IMMEDIATELY (POWER ON)
Cause: When accessing the Safety Integrated parameters for the processor 2 in the non-volatile memory, an error has occurred.
Note:
This fault results in a STOP A that can be acknowledged.

Fault value (r0949, interpret decimal):
129: Safety parameters for processor 2 corrupted.
131: Internal software error on processor 1.
255: Internal software error on processor 2.

Remedy:

- re-commission the safety functions.
 - replace the memory card or Control Unit.
- For fault value = 129:
- activate the safety commissioning mode (p0010 = 95).
 - start the copy function for SI parameters (p9700 = D0 hex).
 - acknowledge data change (p9701 = DC hex).
 - exit the safety commissioning mode (p0010 = 0).
 - save all parameters (p0971 = 1 or "copy RAM to ROM").
 - carry out a POWER ON (power off/on) for the Control Unit.

F30659

SI P2: Write request for parameter rejected

Message class:

Error in the parameterization / configuration / commissioning procedure (18)

Reaction:

OFF2

Acknowledge:

IMMEDIATELY (POWER ON)

Cause:

The write request for one or several Safety Integrated parameters on processor 2 was rejected.

Note:

This fault does not result in a safety stop response.

Fault value (r0949, interpret decimal):

10: An attempt was made to enable the STO function although this cannot be supported.

15: An attempt was made to enable the motion monitoring functions integrated in the drive although these cannot be supported.

16: An attempt was made to enable the PROFIsafe communications although this cannot be supported.

18: An attempt was made to enable the PROFIsafe function for Basic Functions although this cannot be supported.

20: An attempt was made to simultaneously enable both the drive-integrated motion monitoring functions via integrated F-DI and STO via terminals, even though these cannot be supported at the same time.

See also: r9771 (SI common functions (processor 1)), r9871 (SI common functions (processor 2))

Remedy:

Re fault value = 10, 15, 16, 18:

- check whether there are faults in the safety function alignment (F01655, F30655) and if required, carry out diagnostics for the faults involved.
- use a Control Unit that supports the required function.

Note:

STO: Safe Torque Off

F30662

Error in internal communications

Message class:

Hardware / software error (1)

Reaction:

OFF2

Acknowledge:

POWER ON

Cause:

A module-internal communication error has occurred.

Fault value (r0949, interpret hexadecimal):

Only for internal Siemens troubleshooting.

Remedy:

- carry out a POWER ON (power off/on).
- upgrade firmware to later version.
- contact the Hotline.

F30664

Error while booting

Message class:

Hardware / software error (1)

Reaction:

OFF2

Acknowledge:

POWER ON

Cause:

An error has occurred during booting.

Fault value (r0949, interpret hexadecimal):

Only for internal Siemens troubleshooting.

Remedy:

- carry out a POWER ON (power off/on).
- upgrade firmware to later version.
- contact the Hotline.

F30665 **SI P2: System is defective**

Message class: Hardware / software error (1)
Reaction: OFF2
Acknowledge: IMMEDIATELY
Cause: A system defect was detected before the last boot or in the actual one. The system might have been rebooted (reset).
Fault value (r0949, interpret hexadecimal):
200000 hex, 400000 hex:
- Fault in the actual booting/operation.
Additional values:
- defect before the last time that the system booted.

Remedy:

- carry out a POWER ON (power off/on).
- upgrade firmware to later version.
- contact the Hotline.

Re fault value = 400000 hex:
- ensure that the Control Unit is connected to the Power Module.

A30693 (F) **SI P2: Safety parameter settings changed, POWER ON required**

Message class: Error in the parameterization / configuration / commissioning procedure (18)
Reaction: NONE
Acknowledge: NONE
Cause: Safety parameters have been changed; these will only take effect following a POWER ON.
Notice:
All changed parameters of the safety motion monitoring functions will only take effect following a POWER ON.
Alarm value (r2124, interpret decimal):
Parameter number of the safety parameter which has changed, necessitating a POWER ON.

Remedy:

- execute the function "Copy RAM to ROM".
- carry out a POWER ON (power off/on).

A30788 **Automatic test stop: wait for STO deselection via SMM**

Message class: Safety monitoring channel has identified an error (10)
Reaction: NONE
Acknowledge: NONE
Cause: The STO function is selected via Safety Extended Functions or a safety message is present, which results in STO.
The automatic test stop was not able to be carried out since the power up.
The automatic test stop is performed after deselecting STO.

Remedy:

- Deselect STO via Safety Extended Functions.
- Remove the cause of the safety message and acknowledge the fault.

N30800 (F) **Power unit: Group signal**

Message class: Power electronics faulted (5)
Reaction: OFF2
Acknowledge: NONE
Cause: The power unit has detected at least one fault.
Remedy: Evaluate the other messages that are presently available.

F30802 Power unit: Time slice overflow

Message class: Hardware / software error (1)
Reaction: OFF2
Acknowledge: IMMEDIATELY
Cause: A time slice overflow has occurred.
Fault value (r0949, interpret decimal):
xx: Time slice number xx
Remedy:
- carry out a POWER ON (power off/on) for all components.
- upgrade firmware to later version.
- contact the Hotline.

F30804 (N, A) Power unit: CRC

Message class: Hardware / software error (1)
Reaction: OFF2 (OFF1, OFF3)
Acknowledge: IMMEDIATELY
Cause: A CRC error has occurred for the power unit.
Remedy:
- carry out a POWER ON (power off/on) for all components.
- upgrade firmware to later version.
- contact the Hotline.

F30805 Power unit: EEPROM checksum error

Message class: Hardware / software error (1)
Reaction: OFF2
Acknowledge: IMMEDIATELY
Cause: Internal parameter data is corrupted.
Fault value (r0949, interpret hexadecimal):
01: EEPROM access error.
02: Too many blocks in the EEPROM.
Remedy: Replace the module.

F30809 Power unit: Switching information not valid

Message class: Hardware / software error (1)
Reaction: OFF2
Acknowledge: IMMEDIATELY
Cause: For 3P gating unit, the following applies:
The last switching status word in the setpoint telegram is identified by the end ID. Such an end ID was not found.
Remedy:
- carry out a POWER ON (power off/on) for all components.
- upgrade firmware to later version.
- contact the Hotline.

A30810 (F) Power unit: Watchdog timer

Message class: Hardware / software error (1)
Reaction: NONE
Acknowledge: NONE
Cause: When booting it was detected that the cause of the previous reset was an SAC watchdog timer overflow.
Remedy:
- carry out a POWER ON (power off/on) for all components.
- upgrade firmware to later version.
- contact the Hotline.

F30850 Power unit: Internal software error

Message class: Hardware / software error (1)
Reaction: OFF1 (NONE, OFF2, OFF3)
Acknowledge: POWER ON
Cause: An internal software error has occurred in the power unit.
Fault value (r0949, interpret decimal):
Only for internal Siemens troubleshooting.
Remedy:
- replace power unit.
- if required, upgrade the firmware in the power unit.
- contact the Hotline.

F30903 Power unit: I2C bus error occurred

Message class: Hardware / software error (1)
Reaction: OFF2 (IASC/DCBRK, NONE, OFF1, OFF3, STOP2)
Acknowledge: IMMEDIATELY
Cause: Communications error with an EEPROM or A/D converter.
Fault value (r0949, interpret hexadecimal):
80000000 hex:
- internal software error.
00000001 hex ... 0000FFFF hex:
- module fault.
Remedy:
Re fault value = 80000000 hex:
- upgrade firmware to later version.
Re fault value = 00000001 hex ... 0000FFFF hex:
- replace the module.

A30920 (F) Temperature sensor fault

Message class: Power electronics faulted (5)
Reaction: NONE
Acknowledge: NONE
Cause: When evaluating the temperature sensor, an error occurred.
Alarm value (r2124, interpret decimal):
1: Wire breakage or sensor not connected (KTY: R > 2120 Ohm).
2: Measured resistance too low (PTC: R < 20 Ohm, KTY: R < 50 Ohm).
Remedy:
- make sure that the sensor is connected correctly.
- replace the sensor.

F30950 Power unit: Internal software error

Message class: Hardware / software error (1)
Reaction: OFF2
Acknowledge: POWER ON
Cause: An internal software error has occurred.
Fault value (r0949, interpret decimal):
Information about the fault source.
Only for internal Siemens troubleshooting.
Remedy:
- If necessary, upgrade the firmware in the power unit to a later version.
- contact the Hotline.

A30999 (F, N) Power unit: Unknown alarm

Message class: Power electronics faulted (5)
Reaction: NONE
Acknowledge: NONE
Cause: An alarm occurred on the power unit that cannot be interpreted by the Control Unit firmware.
This can occur if the firmware on this component is more recent than the firmware on the Control Unit.

4 Faults and alarms

4.2 List of faults and alarms

Alarm value (r2124, interpret decimal):

Alarm number.

Note:

If required, the significance of this new alarm can be read about in a more recent description of the Control Unit.

Remedy:

- replace the firmware on the power unit by an older firmware version (r0128).
 - upgrade the firmware on the Control Unit (r0018).
-

F35005

TM54F:parallel connection not supported

Message class:

Safety monitoring channel has identified an error (10)

Reaction:

NONE

Acknowledge:

POWER ON

Cause:

The TM54F function with Basic Safety Functions is used. This function is not supported when power units are connected in parallel.

All drives of the TM54F assume fail safe values, and are not enabled.

Remedy:

- deactivate parallel connection or TM54F with Basic Functions.
 - copy RAM to ROM.
 - carry out a POWER ON (power off/on).
-

F35950

TM: Internal software error

Message class:

Hardware / software error (1)

Reaction:

OFF2 (NONE)

Acknowledge:

POWER ON

Cause:

An internal software error has occurred.

Fault value (r0949, interpret decimal):

Information about the fault source.

Only for internal Siemens troubleshooting.

Remedy:

- If necessary, upgrade the firmware in the Terminal Module to a later version.
 - contact the Hotline.
-

A50001 (F)

PROFINET configuration error

Message class:

Communication error to the higher-level control system (9)

Reaction:

NONE

Acknowledge:

NONE

Cause:

A PROFINET controller attempts to establish a connection using an incorrect configuring telegram. The "Shared Device" function has been activated (p8929 = 2).

Alarm value (r2124, interpret decimal):

10: A/F-CPU configures mixed PZD/PROFIsafe telegram.

13: F-CPU and PROFIsafe is not activated (p9601.3).

15: PROFIsafe telegram of the F-CPU does not match the setting in p9501.30.

See also: p9601 (SI enable functions integrated in the drive (processor 1))

Remedy:

Check the configuration of the PROFINET controllers as well as the p8929 setting.

A50010 (F)

PROFINET Name of Station invalid

Message class:

Communication error to the higher-level control system (9)

Reaction:

NONE

Acknowledge:

NONE

Cause:

PROFINET Name of Station is invalid.

Remedy:

Correct the name of the station (p8920) and activate (p8925 = 2).

See also: p8920 (PN Name of Station)

A50020 (F)	PROFINET: Second controller missing
Message class:	Communication error to the higher-level control system (9)
Reaction:	NONE
Acknowledge:	NONE
Cause:	The PROFINET function "Shared Device" has been activated (p8929 = 2). However, only the connection to a PROFINET controller is present.
Remedy:	Check the configuration of the PROFINET controllers as well as the p8929 setting.

Appendix

A

Content

A.1	ASCII table (characters that can be displayed)	548
A.2	List of abbreviations	551

A.1 ASCII table (characters that can be displayed)

The following table includes the decimal and hexadecimal notation of ASCII characters that can be displayed (printable).

Table A-1 ASCII table (characters that can be displayed)

Character	Decimal	Hexadecimal	Meaning
	32	20	Space
!	33	21	Exclamation mark
"	34	22	Quotation mark
#	35	23	Number sign
\$	36	24	Dollar
%	37	25	Percent
&	38	26	Ampersand
'	39	27	Apostrophe, closing single quotation mark
(40	28	Opening parenthesis
)	41	29	Closing parenthesis
*	42	2A	Asterisk
+	43	2B	Plus
,	44	2C	Comma
-	45	2D	Hyphen, minus
.	46	2E	Period, decimal point
/	47	2F	Slash, slant
0	48	30	Digit 0
1	49	31	Digit 1
2	50	32	Digit 2
3	51	33	Digit 3
4	52	34	Digit 4
5	53	35	Digit 5
6	54	36	Digit 6
7	55	37	Digit 7
8	56	38	Digit 8
9	57	39	Digit 9
:	58	3A	Colon
;	59	3B	Semicolon
<	60	3C	Less than
=	61	3D	Equals
>	62	3E	Greater than
?	63	3F	Question mark
@	64	40	Commercial At

Table A-1 ASCII table (characters that can be displayed), continued

Character	Decimal	Hexadecimal	Meaning
A	65	41	Capital letter A
B	66	42	Capital letter B
C	67	43	Capital letter C
D	68	44	Capital letter D
E	69	45	Capital letter E
F	70	46	Capital letter F
G	71	47	Capital letter G
H	72	48	Capital letter H
I	73	49	Capital letter I
J	74	4A	Capital letter J
K	75	4B	Capital letter K
L	76	4C	Capital letter L
M	77	4D	Capital letter M
N	78	4E	Capital letter N
O	79	4F	Capital letter O
P	80	50	Capital letter P
Q	81	51	Capital letter Q
R	82	52	Capital letter R
S	83	53	Capital letter S
T	84	54	Capital letter T
U	85	55	Capital letter U
V	86	56	Capital letter V
W	87	57	Capital letter W
X	88	58	Capital letter X
Y	89	59	Capital letter Y
Z	90	5A	Capital letter Z
[91	5B	Opening bracket
\	92	5C	Backslash
]	93	5D	Closing bracket
^	94	5E	Circumflex
_	95	5F	Underline
'	96	60	Opening single quotation mark
a	97	61	Small letter a
b	98	62	Small letter b
c	99	63	Small letter c
d	100	64	Small letter d

Table A-1 ASCII table (characters that can be displayed), continued

Character	Decimal	Hexadecimal	Meaning
e	101	65	Small letter e
f	102	66	Small letter f
g	103	67	Small letter g
h	104	68	Small letter h
i	105	69	Small letter i
j	106	6A	Small letter j
k	107	6B	Small letter k
l	108	6C	Small letter l
m	109	6D	Small letter m
n	110	6E	Small letter n
o	111	6F	Small letter o
p	112	70	Small letter p
q	113	71	Small letter q
r	114	72	Small letter r
s	115	73	Small letter s
t	116	74	Small letter t
u	117	75	Small letter u
v	118	76	Small letter v
w	119	77	Small letter w
x	120	78	Small letter x
y	121	79	Small letter y
z	122	7A	Small letter z
{	123	7B	Opening brace
	124	7C	Vertical line
}	125	7D	Closing brace
~	126	7E	Tilde

A.2 List of abbreviations

Note

The following list of abbreviations includes all abbreviations and their meanings used in the entire SINAMICS family of drives.

Abbreviation	Source of abbreviation	Meaning
A		
A...	Alarm	Alarm
AC	Alternating Current	Alternating current
ADC	Analog Digital Converter	Analog-digital converter
AI	Analog Input	Analog input
AIM	Active Interface Module	Active Interface Module
ALM	Active Line Module	Active Line Module
AO	Analog Output	Analog output
AOP	Advanced Operator Panel	Advanced Operator Panel
APC	Advanced Positioning Control	Advanced Positioning Control
AR	Automatic Restart	Automatic restart
ASC	Armature Short-Circuit	Armature short-circuit
ASCII	American Standard Code for Information Interchange	American standard code for information interchange
AS-i	AS-Interface (Actuator Sensor Interface)	AS-interface (open bus system in automation technology)
ASM	Asynchronmotor	Induction motor
B		
BB	Betriebsbedingung	Operating condition
BERO	-	Proximity switch
BI	Binector Input	Binector input
BIA	Berufsgenossenschaftliches Institut für Arbeitssicherheit	BG-Institute for Occupational Safety and Health
BICO	Binector Connector Technology	Binector connector technology
BLM	Basic Line Module	Basic Line Module
BO	Binector Output	Binector output
BOP	Basic Operator Panel	Basic Operator Panel
C		
C	Capacitance	Capacitance
C...	-	Safety message
CAN	Controller Area Network	Serial bus system
CBC	Communication Board CAN	Communication Board CAN
CBE	Communication Board Ethernet	Communication Board PROFINET (Ethernet)
CD	Compact Disk	Compact disk
CDS	Command Data Set	Command data set
CF card	CompactFlash card	CompactFlash card
CI	Connector Input	Connector input

Abbreviation	Source of abbreviation	Meaning
CLC	Clearance Control	Clearance control
CNC	Computer Numerical Control	Computer-supported numerical control
CO	Connector Output	Connector output
CO/BO	Connector Output / Binector Output	Connector/binector output
COB ID	CAN Object Identification	CAN object identification
CoL	Certificate of License	Certificate of License
COM	Common contact of a changeover relay	Center contact on a changeover contact
COMM	Commissioning	Commissioning
CP	Communications Processor	Communications processor
CPU	Central Processing Unit	Central processing unit
CRC	Cyclic Redundancy Check	Cyclic redundancy check
CSM	Control Supply Module	Control Supply Module
CU	Control Unit	Control Unit
CUA	Control Unit Adapter	Control Unit Adapter
CUD	Control Unit DC MASTER	Control Unit DC MASTER
D		
DAC	Digital Analog Converter	Digital-analog converter
DC	Direct Current	Direct current
DCB	Drive Control Block	Drive Control Block
DCBRK	DC Brake	DC braking
DCC	Drive Control Chart	Drive Control Chart
DCN	Direct Current Negative	Direct current negative
DCP	Direct Current Positive	Direct current positive
DDS	Drive Data Set	Drive data set
DI	Digital Input	Digital input
DI/DO	Digital Input / Digital Output	Bidirectional digital input/output
DMC	DRIVE-CLiQ Hub Module Cabinet	DRIVE-CLiQ Hub Module Cabinet
DME	DRIVE-CLiQ Hub Module External	DRIVE-CLiQ Hub Module External
DMM	Double Motor Module	Double Motor Module
DO	Digital Output	Digital output
DO	Drive Object	Drive object
DP	Decentralized Peripherals	Distributed peripherals
DPRAM	Dual Ported Random Access Memory	Dual-port random access memory
DQ	DRIVE-CLiQ	DRIVE-CLiQ
DRAM	Dynamic Random Access Memory	Dynamic random access memory
DRIVE-CLiQ	Drive Component Link with IQ	Drive Component Link with IQ
DSC	Dynamic Servo Control	Dynamic Servo Control
DTC	Digital Time Clock	Timer
E		
EASC	External Armature Short-Circuit	External armature short-circuit
EDS	Encoder data set	Encoder data set
EEPROM	Electrically Erasable Programmable Read-Only Memory	Electrically Erasable Programmable Read-Only-Memory

Abbreviation	Source of abbreviation	Meaning
EGB	Elektrostatisch gefährdete Baugruppen	Electrostatic sensitive devices
ELCB	Earth Leakage Circuit-Breaker	Residual current operated circuit breaker
ELP	Earth Leakage Protection	Ground-fault monitoring
EMC	Electromagnetic Compatibility	Electromagnetic compatibility
EMF	Electromotive Force	Electromotive force
EMK	Elektromotorische Kraft	Electromotive force
EMV	Elektromagnetische Verträglichkeit	Electromagnetic compatibility
EN	Europäische Norm	European standard
EnDat	Encoder-Data-Interface	Encoder interface
EP	Enable Pulses	Enable pulses
EPOS	Einfachpositionierer	Basic positioner
ES	Engineering System	Engineering system
ESB	Ersatzschaltbild	Equivalent circuit diagram
ESD	Electrostatic Sensitive Devices	Electrostatic sensitive devices
ESM	Essential Service Mode	Essential service mode
ESR	Extended Stop and Retract	Extended stop and retract
F		
F...	Fault	Fault
FAQ	Frequently Asked Questions	Frequently asked questions
FBLOCKS	Free Blocks	Free function blocks
FCC	Function Control Chart	Function control chart
FCC	Flux Current Control	Flux current control
FD	Function Diagram	Function diagram
F-DI	Fail-safe Digital Input	Fail-safe digital input
F-DO	Fail-safe Digital Output	Fail-safe digital output
FEM	Fremderregter Synchronmotor	Separately excited synchronous motor
FEPROM	Flash EPROM	Non-volatile write and read memory
FG	Function Generator	Function generator
FI	-	Residual current
FOC	Fiber-Optic Cable	Fiber-optic cable
FP	Funktionsplan	Function diagram
FPGA	Field Programmable Gate Array	Field programmable gate array
FW	Firmware	Firmware
G		
GB	Gigabyte	Gigabyte
GC	Global Control	Global control telegram (broadcast telegram)
GND	Ground	Reference potential for all signal and operating voltages, usually defined as 0 V (also referred to as M)
GSD	Generic Station Description	Generic Station Description: Describes the features of a PROFIBUS slave
GSV	Gate Supply Voltage	Gate supply voltage
GUID	Globally Unique Identifier	Globally unique identifier

Abbreviation	Source of abbreviation	Meaning
H		
HF	High Frequency	High frequency
HFD	Hochfrequenzdrossel	High-frequency reactor
HLA	Hydraulic Linear Actuator	Hydraulic linear drive
HLG	Hochlaufgeber	Ramp-function generator
HM	Hydraulic Module	Hydraulic Module
HMI	Human Machine Interface	Human machine interface
HTL	High-Threshold Logic	Logic with high fault threshold
HW	Hardware	Hardware
I		
i. V.	In Vorbereitung	Under development: This property is currently not available
I/O	Input/Output	Input/output
I2C	Inter-Integrated Circuit	Internal serial data bus
IASC	Internal Armature Short-Circuit	Internal armature short-circuit
IBN	Inbetriebnahme	Commissioning
ID	Identifier	Identification
IE	Industrial Ethernet	Industrial Ethernet
IEC	International Electrotechnical Commission	International Electrotechnical Commission
IF	Interface	Interface
IGBT	Insulated Gate Bipolar Transistor	Bipolar transistor with insulated control electrode
IGCT	Integrated Gate-Controlled Thyristor	Semiconductor power switch with integrated control electrode
IL	Impulslöschung	Pulse suppression
IP	Internet Protocol	Internet protocol
IPO	Interpolator	Interpolator
IT	Isolé Terre	Non-grounded three-phase line supply
IVP	Internal Voltage Protection	Internal voltage protection
J		
JOG	Jogging	Jogging
K		
KDV	Kreuzweiser Datenvergleich	Data cross-check
KHP	Know-How Protection	Know-how protection
KIP	Kinetische Pufferung	Kinetic buffering
Kp	-	Proportional gain
KTY	-	Special temperature sensor
L		
L	-	Symbol for inductance
LED	Light Emitting Diode	Light-emitting diode
LIN	Linear motor	Linear motor
LR	Lageregler	Position controller
LSB	Least Significant Bit	Least significant bit
LSC	Line-Side Converter	Line-side converter

Abbreviation	Source of abbreviation	Meaning
LSS	Line-Side Switch	Line-side switch
LU	Length Unit	Length unit
LWL	Lichtwellenleiter	Fiber-optic cables
M		
M	-	Symbol for torque
M	Mass	Reference potential for all signal and operating voltages, usually defined as 0 V (also referred to as GND)
MB	Megabyte	Megabyte
MCC	Motion Control Chart	Motion Control Chart
MDI	Manual Data Input	Manual data input
MDS	Motor Data Set	Motor data set
MLFB	Maschinenlesbare Fabrikatebezeichnung	Machine-readable product code
MM	Motor Module	Motor Module
MMC	Man-Machine Communication	Man-machine communication
MMC	Micro Memory Card	Micro memory card
MSB	Most Significant Bit	Most significant bit
MSC	Motor-Side Converter	Motor-side converter
MSCY_C1	Master Slave Cycle Class 1	Cyclic communication between master (class 1) and slave
MSR	Motorstromrichter	Motor-side converter
MT	Messtaster	Probe
N		
N. C.	Not Connected	Not connected
N...	No Report	No report or internal message
NAMUR	Normenarbeitsgemeinschaft für Mess- und Regeltechnik in der chemischen Industrie	Standardization association for measurement and control in chemical industries
NC	Normally Closed (contact)	NC contact
NC	Numerical Control	Numerical control
NEMA	National Electrical Manufacturers Association	Standardization body in the US
NM	Nullmarke	Zero mark
NO	Normally Open (contact)	NO contact
NSR	Netzstromrichter	Line-side converter
NVRAM	Non-Volatile Random Access Memory	Non-volatile read/write memory
O		
OA	Open Architecture	Software component (technology package) which provides additional functions for the SINAMICS drive system
OAIF	Open Architecture Interface	Version of the SINAMICS firmware from which the OA-application can be used
OASP	Open Architecture Support Package	Expands the STARTER commissioning tool by the corresponding OA-application
OC	Operating Condition	Operating condition
OEM	Original Equipment Manufacturer	Original equipment manufacturer

Abbreviation	Source of abbreviation	Meaning
OLP	Optical Link Plug	Bus connector for fiber-optic cable
OMI	Option Module Interface	Option Module Interface
P		
p...	-	Setting parameters
P1	Processor 1	CPU 1
P2	Processor 2	CPU 2
PB	PROFIBUS	PROFIBUS
PcCtrl	PC Control	Master control
PD	PROFIdrive	PROFIdrive
PDS	Power unit Data Set	Power unit data set
PE	Protective Earth	Protective ground
PELV	Protective Extra-Low Voltage	Safety extra-low voltage
PEM	Permanenterregter Synchronmotor	Permanent-magnet synchronous motor
PG	Programmiergerät	Programming device
PI	Proportional Integral	Proportional integral
PID	Proportional Integral Differential	Proportional integral differential
PLC	Programmable Logic Controller	Programmable logic controller
PLL	Phase-Locked Loop	Phase-locked loop
PM	Power Module	Power Module
PN	PROFINET	PROFINET
PNO	PROFIBUS Nutzerorganisation	PROFIBUS user organization
PPI	Point-to-Point Interface	Point-to-point interface
PRBS	Pseudo Random Binary Signal	White noise
PROFIBUS	Process Field Bus	Serial data bus
PS	Power Supply	Power supply
PSA	Power Stack Adapter	Power Stack Adapter
PTC	Positive Temperature Coefficient	Positive temperature coefficient
PTP	Point-To-Point	Point-to-point
PWM	Pulse Width Modulation	Pulse width modulation
PZD	Prozessdaten	Process data
Q		
R		
r ...	-	Display parameters (read only)
RAM	Random Access Memory	Read/write memory
RCCB	Residual Current Circuit Breaker	Residual current operated circuit breaker
RCD	Residual Current Device	Residual current operated circuit breaker
RCM	Residual Current Monitor	Residual current monitor
RFG	Ramp-Function Generator	Ramp-function generator
RJ45	Registered Jack 45	Term for an 8-pin socket system for data transmission with shielded or non-shielded multi-wire copper cables
RKA	Rückkühlanlage	Cooling unit
RLM	Renewable Line Module	Renewable Line Module

Abbreviation	Source of abbreviation	Meaning
RO	Read Only	Read only
ROM	Read-Only Memory	Read-only memory
RPDO	Receive Process Data Object	Receive process data object
RS 232	Recommended Standard 232	Interface standard for cable-connected serial data transmission between a sender and receiver (also known as EIA232)
RS485	Recommended Standard 485	Interface standard for a cable-connected differential, parallel, and/or serial bus system (data transmission between a number of senders and receivers, also known as EIA485)
RTC	Real-Time Clock	Real-time clock
RZA	Raumzeigerapproximation	Space vector approximation
S		
S1	-	Continuous duty
S3	-	Intermittent duty
SAM	Safe Acceleration Monitor	Safe acceleration monitoring
SBC	Safe Brake Control	Safe brake control
SBH	Sicherer Betriebshalt	Safe operating stop
SBR	Safe Brake Ramp	Safe brake ramp monitoring
SBT	Safe Brake Test	Safe brake test
SCA	Safe Cam	Safe cam
SD Card	SecureDigital Card	Secure digital memory card
SDI	Safe Direction	Safe motion direction
SE	Sicherer Software-Endschalter	Safe software limit switches
SG	Sicher reduzierte Geschwindigkeit	Safely-limited speed
SGA	Sicherheitsgerichteter Ausgang	Safety-related output
SGE	Sicherheitsgerichteter Eingang	Safety-related input
SH	Sicherer Halt	Safe standstill
SI	Safety Integrated	Safety Integrated
SIL	Safety Integrity Level	Safety integrity level
SLM	Smart Line Module	Smart Line Module
SLP	Safely-Limited Position	Safely limited position
SLS	Safely-Limited Speed	Safely-limited speed
SLVC	Sensorless Vector Control	Vector control without encoder
SM	Sensor Module	Sensor Module
SMC	Sensor Module Cabinet	Sensor Module Cabinet
SME	Sensor Module External	Sensor Module External
SMI	Sensor Module Integrated	SINAMICS Sensor Module Integrated
SMM	Single Motor Module	Single Motor Module
SN	Sicherer Software-Nocken	Safe software cam
SOS	Safe Operating Stop	Safe operating stop
SP	Service Pack	Service pack
SP	Safe Position	Safe position
SPC	Setpoint Channel	Setpoint channel

Abbreviation	Source of abbreviation	Meaning
SPI	Serial Peripheral Interface	Serial peripheral interface
SPS	Speicherprogrammierbare Steuerung	Programmable Logic Controller
SS1	Safe Stop 1	Safe stop 1 (monitored for time and ramp)
SS2	Safe Stop 2	Safe stop 2
SSI	Synchronous Serial Interface	Synchronous serial interface
SSM	Safe Speed Monitor	Safe feedback from speed monitor
SSP	SINAMICS Support Package	SINAMICS support package
STO	Safe Torque Off	Safe torque off
STW	Steuerwort	Control word
T		
TB	Terminal Board	Terminal Board
TIA	Totally Integrated Automation	Totally Integrated Automation
TM	Terminal Module	Terminal Module
TN	Terre Neutre	Grounded three-phase line supply
Tn	-	Integral-action time
TPDO	Transmit Process Data Object	Transmit process data object
TT	Terre Terre	Grounded three-phase line supply
TTL	Transistor-Transistor Logic	Transistor-transistor logic
Tv	-	Derivative action time
U		
UL	Underwriters Laboratories Inc.	Underwriters Laboratories Inc.
UPS	Uninterruptible Power Supply	Uninterruptible power supply
USV	Unterbrechungsfreie Stromversorgung	Uninterruptible power supply
UTC	Universal Time Coordinated	Universal time coordinated
V		
VC	Vector Control	Vector control
Vdc	-	DC-link voltage
VdcN	-	Partial DC-link voltage, negative
VdcP	-	Partial DC-link voltage, positive
VDE	Verband Deutscher Elektrotechniker	Association of German Electrical Engineers
VDI	Verein Deutscher Ingenieure	Association of German Engineers
VPM	Voltage Protection Module	Voltage Protection Module
Vpp	Volt peak to peak	Volt peak-to-peak
VSM	Voltage Sensing Module	Voltage Sensing Module
W		
WEA	Wiedereinschaltautomatik	Automatic restart
WZM	Werkzeugmaschine	Machine tool
X		
XML	Extensible Markup Language	Extensible Markup Language (standard language for Web publishing and document management)

Abbreviation	Source of abbreviation	Meaning
Y		
Z		
ZK	Zwischenkreis	DC link
ZM	Zero Mark	Zero mark
SW	Zustandswort	Status word

Index

Numbers

- 1020
 - Explanation of the symbols (part 1), 323
- 1021
 - Explanation of the symbols (part 2), 324
- 1022
 - Explanation of the symbols (part 3), 325
- 1030
 - Handling BICO technology, 326
- 2201
 - Connection overview, 328
- 2221
 - Digital inputs, electrically isolated (DI 0 ... DI 5), 329
- 2241
 - Digital outputs (DO 0 ... DO 1), 330
- 2250
 - Analog input 0 (AI 0), 331
- 2255
 - Analog inputs, digital inputs (DI 11), 332
- 2260
 - Analog output 0 (AO 0), 333
- 2272
 - Two-wire control, 334
- 2273
 - Three-wire control, 335
- 2381
 - Control commands and interrogation commands, 337
- 2382
 - States, 338
- 2401
 - PROFIdrive / PROFIBUS overview, 340
- 2410
 - PROFIBUS (PB) / PROFINET (PN), addresses and diagnostics, 341
- 2420
 - Telegrams and process data (PZD), 342
- 2440
 - PZD receive signals interconnection, 343
- 2441
 - STW1 control word interconnection (p2038 = 2), 344
- 2442
 - STW1 control word interconnection (p2038 = 0), 345
- 2446
 - STW3 control word interconnection, 346
- 2450
 - PZD send signals interconnection, 347
- 2451
 - ZSW1 status word interconnection (p2038 = 2), 348
- 2452
 - ZSW1 status word interconnection (p2038 = 0), 349
- 2456
 - STW3 status word interconnection, 350
- 2468
 - Receive telegram, free interconnection via BICO (p0922 = 999), 351
- 2470
 - Send telegram, free interconnection via BICO (p0922 = 999), 352
- 2501
 - Control word, sequence control, 367
- 2503
 - Status word, sequence control, 368
- 2505
 - Control word, setpoint channel, 369
- 2510
 - Status word 1 (r0052), 370
- 2511
 - Status word 2 (r0053), 371
- 2512
 - Control word 1 (r0054), 372
- 2513
 - Control word 2 (r0055), 373
- 2522
 - Status word, speed controller, 374
- 2526
 - Status word, closed-loop control, 375
- 2530
 - Status word, closed-loop current control, 376
- 2534
 - Status word, monitoring functions 1, 377
- 2536
 - Status word, monitoring functions 2, 378
- 2537
 - Status word, monitoring functions 3, 379
- 2546
 - Control word, faults/alarms, 380
- 2548
 - Status word, faults/alarms 1 and 2, 381
- 2610
 - Sequence control - Sequencer, 382
- 2634
 - Sequence control - Missing enable signals, 383

- 2701
 - Basic brake control, 385
- 2800
 - Parameter manager, 387
- 2802
 - Monitoring functions and faults/alarms, 388
- 2804
 - Status words, 389
- 2810
 - STO, Safe Torque Off, 390
- 2812
 - F-DI, Fail-safe Digital Input, 391
- 2915
 - Standard telegrams, 393
- 3001
 - Overview of setpoint channel, 395
- 3010
 - Fixed speed setpoints, binary selection (p1016 = 2), 396
- 3011
 - Fixed speed setpoints, direct selection (p1016 = 1), 397
- 3020
 - Motorized potentiometer, 398
- 3030
 - Main/supplementary setpoint, setpoint scaling, jogging, 399
- 3040
 - Direction limitation and direction reversal, 400
- 3050
 - Skip frequency bands and speed limitations, 401
- 3070
 - Extended ramp-function generator, 402
- 6020
 - Speed control and generation of the torque limits, overview, 404
- 6030
 - Speed setpoint, accelerationmodel, 405
- 6040
 - Speed controller, 406
- 6060
 - Torque setpoint, 407
- 6220
 - Vdc_max controller and Vdc_min controller (vector control), 408
- 6300
 - U/f control, overview, 409
- 6301
 - U/f characteristic and voltage boost, 410
- 6310
 - Resonance damping and slip compensation (U/f), 411
- 6320
 - Vdc_max controller and Vdc_min controller (U/f), 412
- 6630
 - Upper/lower torque limit, 413
- 6640
 - Current/power/torque limits, 414
- 6700
 - Current control, overview, 415
- 6710
 - Current setpoint filter, 416
- 6714
 - Iq and Id controllers, 417
- 6721
 - Id setpoint (PEM, p0300 = 2), 418
- 6722
 - Field weakening characteristic, Id setpoint (ASM, p0300 = 1), 419
- 6723
 - Field weakening controller, flux controller (ASM, p0300 = 1), 420
- 6724
 - Field weakening controller (PEM, p0300 = 2), 421
- 6730
 - Interface to the Power Module (ASM, p0300 = 1), 422
- 6731
 - Interface to the Power Module (PEM, p0300 = 2), 423
- 6799
 - Display signals, 424
- 7017
 - DC brake (p0300 = 1), 426
- 7950
 - Fixed value selection binary (p2216 = 2), 428
- 7951
 - Fixed value selection direct (p2216 = 1), 429
- 7954
 - Motorized potentiometer, 430
- 7958
 - Control, 431
- 8005
 - Overview, signals and monitoring functions, 433
- 8010
 - Speed signals 1, 434
- 8011
 - Speed signals 2, 435
- 8012
 - Torque signals, motor blocked/stalled, 436
- 8014
 - Thermal monitoring, power unit, 437
- 8016
 - Thermal monitoring, motor, 438
- 8017
 - Thermal motor models, 439
- 8020
 - Monitoring functions 1, 440

- 8021
Monitoring functions 2, 441
- 8050
Diagnostics overview, 443
- 8060
Fault buffer, 444
- 8065
Alarm buffer, 445
- 8070
Faults/alarms trigger word (r2129), 446
- 8075
Faults/alarms configuration, 447
- 8560
Command Data Sets (CDS), 449
Drive Data Sets (DDS), 450
- 9204
Receive telegram, free PDO mapping (p8744 = 2), 354
- 9206
Receive telegram, Predefined Connection Set (p8744 = 1), 355
- 9208
Send telegram, free PDO mapping (p8744 = 2), 356
- 9210
Send telegram, Predefined Connection Set (p8744 = 1), 357
- 9220
Control word, CANopen, 358
- 9226
Status word, CANopen, 359
- 9310
Configuration, addresses and diagnostics, 361
- 9342
STW1 control word interconnection, 362
- 9352
ZSW1 status word interconnection, 363
- 9360
Receive telegram, free interconnection via BICO (p0922 = 999), 364
- 9370
Send telegram, free interconnection via BICO (p0922 = 999), 365
- A**
- Acknowledgement
Adjustable, 460
Default, 460
IMMEDIATELY, 455
POWER ON, 455
PULSE INHIBIT, 455
- Adjustable parameters, 13
- Alarm
Cause, 460
Display, 452
Explanation of list, 456
Fault location, 457
General information, 452
How to distinguish an alarm from a fault, 452
List of all alarms, 463
Message class, 457
Name, 457
Number, 456
Number range, 461
Remedy, 460
- Alarm buffer, 442
Alarm value, 460
Analog inputs, 327
Analog outputs, 327
ASCII table, 548
Axxxx, 456
- B**
- BI, Binector Input, 14
BICO technology, 326
Binector
Input (BI), 14
Output (BO), 14
Bit field (parameter), 21
BO, Binector Output, 14
Brake control, 384
- C**
- Calculated, 15
Can be changed (parameters), 17
CANopen, 353, 360
CDS, (Command Data Set), 18, 448, 449
CI, Connector Input, 14
CO, Connector Output, 14
CO/BO, Connector/Binector Output, 14
Command data sets, 448
Connector
Input (CI), 14
Output (CO), 14
Control
Technology controller, 431
Vector, 403
Control words, 336, 339
converter
Connector/binector, 351
Cxxxxx, 456
- D**
- Data Set, 448
Command data set, CDS, 18
Drive Data Set, DDS, 18
Encoder Data Set, EDS, 18
Motor Data Set, MDS, 18
Power unit Data Set, PDS, 18

- Data set, 448
 - Command data set, 18
 - Drive data set, 18
 - Encoder data set, 18
 - Motor data set, 18
 - Power unit data set, 18
- Data type (parameters), 16
- DC brake, 426
- DCBRAKE, 454
- DDS, (Drive Data Set), 448
- DDS, (Drive Data Sets), 450
- DDS, drive data set, 18
- Dependency (parameter), 21
- Description (parameter), 20
- Digital inputs, 327
- Digital outputs, 327
- Direction limitation, 394
- Direction reversal, 394
- Directory
 - ASCII table, 548
 - Complete table of contents, 5
 - Index, 561
 - List of abbreviations, 551
 - Table of contents, function diagrams, 318
- Display
 - Alarms, 452
 - Faults, 452
- Display parameters, 13
- Drive data sets, 448
- Dynamic index (parameters), 18
- E**
- EDS, (Encoder Data Set), 18
- ENCODER, 454
- F**
- Factory setting, 20
- Fault
 - Acknowledgement, 455, 460
 - Cause, 460
 - Display, 452
 - Explanation of list, 456
 - Fault location, 457
 - Fault reaction, 453, 460
 - General information, 452
 - How to distinguish a fault from an alarm, 452
 - List of all faults, 463
 - Message class, 457
 - Name, 457
 - Number, 456
 - Number range, 461
 - Remedy, 460
- Fault buffer, 442
 - Configuration, 444
- Fault value, 460
- Faults/alarms configuration, 442
- Faults/alarms triggering (r2129), 442
- Fixed speed setpoints, 394
- Fixed values, 428, 429
- Free interconnection via BICO, 336, 339
- Function diagram (parameters), 19
- Function diagrams, brake control
 - Basic brake control, 385
- Function diagrams, CANopen
 - Control word, CANopen, 358
 - Receive telegram, free PDO mapping (p8744 = 2), 354
 - Receive telegram, Predefined Connection Set (p8744 = 1), 355
 - Send telegram, free PDO mapping (p8744 = 2), 356
 - Send telegram, Predefined Connection Set (p8744 = 1), 357
 - Status word, CANopen, 359
- Function diagrams, data sets
 - Command Data Sets (CDS), 449
 - Drive Data Sets (DDS), 450
- Function diagrams, diagnostics
 - Alarm buffer, 445
 - Fault buffer, 444
 - Faults/alarms configuration, 447
 - Faults/alarms trigger word (r2129), 446
 - Overview, 443
- Function diagrams, fieldbus interface
 - Configuration, addresses and diagnostics, 361
 - Receive telegram, free interconnection via BICO (p0922 = 999), 364
 - Send telegram, free interconnection via BICO (p0922 = 999), 365
 - STW1 control word interconnection, 362
 - ZSW1 status word interconnection, 363
- Function diagrams, general information
 - Explanation of the symbols (part 1), 323
 - Explanation of the symbols (part 2), 324
 - Explanation of the symbols (part 3), 325
 - Handling BICO technology, 326
- Function diagrams, input/output terminals
 - Analog input 0 (AI 0), 331
 - Analog inputs, digital inputs (DI 11), 332
 - Analog output 0 (AO 0), 333
 - Connection overview, 328
 - Digital inputs, electrically isolated (DI 0 ... DI 5), 329
 - Digital outputs (DO 0 ... DO 1), 330
 - Three-wire control, 335
 - Two-wire control, 334
- Function diagrams, internal control/status words
 - Control word 1 (r0054), 372
 - Control word 2 (r0055), 373
 - Control word, faults/alarms, 380
 - Control word, sequence control, 367
 - Control word, setpoint channel, 369

- Sequence control - Missing enable signals, 383
- Sequence control - Sequencer, 382
- Status word 1 (r0052), 370
- Status word 2 (r0053), 371
- Status word, closed-loop control, 375
- Status word, closed-loop current control, 376
- Status word, faults/alarms 1 and 2, 381
- Status word, monitoring functions 1, 377
- Status word, monitoring functions 2, 378
- Status word, monitoring functions 3, 379
- Status word, sequence control, 368
- Status word, speed controller, 374
- Function diagrams, PROFIdrive
 - Overview, 340
 - PROFIBUS (PB) / PROFINET (PN), addresses and diagnostics, 341
 - PZD receive signals interconnection, 343
 - PZD send signals interconnection, 347
 - Receive telegram, free interconnection via BICO (p0922 = 999), 351
 - Send telegram, free interconnection via BICO (p0922 = 999), 352
 - STW1 control word interconnection (p2038 = 0), 345
 - STW1 control word interconnection (p2038 = 2), 344
 - STW3 control word interconnection, 346
 - STW3 status word interconnection, 350
 - Telegrams and process data (PZD), 342
 - ZSW1 status word interconnection (p2038 = 0), 349
 - ZSW1 status word interconnection (p2038 = 2), 348
- Function diagrams, PROFInergy
 - Control commands and interrogation commands, 337
 - States, 338
- Function diagrams, Safety Integrated Basic Functions
 - F-DI, Fail-safe Digital Input, 391
 - Monitoring functions and faults/alarms, 388
 - Parameter manager, 387
 - Status words, 389
 - STO, Safe Torque Off, 390
- Function diagrams, Safety Integrated PROFIsafe
 - Standard telegrams, 393
- Function diagrams, setpoint channel
 - Direction limitation and direction reversal, 400
 - Fixed speed setpoints, binary selection (p1016 = 2), 396
 - Fixed speed setpoints, direct selection (p1016 = 1), 397
 - Main/supplementary setpoint, setpoint scaling, jogging, 399
 - Motorized potentiometer, 398
 - Overview, 395
 - Ramp-function generator (extended), 402
 - Skip frequency bands and speed limitations, 401
- Function diagrams, signals and monitoring functions
 - Monitoring functions 1, 440
 - Monitoring functions 2, 441
 - Overview, 433
 - Speed signals 1, 434
 - Speed signals 2, 435
 - Thermal monitoring, motor, 438
 - Thermal monitoring, power unit, 437
 - Thermal motor models, 439
 - Torque signals, motor blocked/stalled, 436
- Function diagrams, technology controller
 - Control, 431
 - Fixed value selection binary (p2216 = 2), 428
 - Fixed value selection direct (p2216 = 1), 429
 - Motorized potentiometer, 430
- Function diagrams, technology functions
 - DC brake (p0300 = 1), 426
- Function diagrams, vector control
 - Current control, overview, 415
 - Current setpoint filter, 416
 - Current/power/torque limits, 414
 - Display signals, 424
 - Field weakening characteristic, Id setpoint (ASM, p0300 = 1), 419
 - Field weakening controller (PEM, p0300 = 2), 421
 - Field weakening controller, flux controller (ASM, p0300 = 1), 420
 - Id setpoint (PEM, p0300 = 2), 418
 - Interface to the Power Module (ASM, p0300 = 1), 422
 - Interface to the Power Module (PEM, p0300 = 2), 423
 - Iq and Id controllers, 417
 - Resonance damping and slip compensation (U/f), 411
 - Speed control and generation of the torque limits, overview, 404
 - Speed controller, 406
 - Speed setpoint, accelerationmodel, 405
 - Torque setpoint, 407
 - U/f characteristic and voltage boost, 410
 - U/f control, overview, 409
 - Upper/lower torque limit, 413
 - Vdc_max controller and Vdc_min controller, 408
 - Vdc_max controller and Vdc_min controller (U/f), 412
- Fxxxx, 456
- G**
 - General information
 - about parameters, 12
 - on faults and alarms, 452
 - on function diagrams, 322

I

IASC, 454

Index

Parameters, 13

Index (parameters), 20

Industrial security, 9

Input/output terminals, 327

Analog inputs, 327

Digital inputs, 327

Internal control words, 366

Internal control/status words, 366

J

Jogging, 394, 399

L

Linked parameters, 13

List

Abbreviations, 551

ASCII table, 548

Binector inputs (BI parameters), 306

Binector outputs (BO parameters), 307

Command data sets, 299

Connector inputs (CI parameters), 307

Connector outputs (CO parameters), 308

Connector/binector outputs (CO/BO parameters),
310

Drive data sets, 300

Encoder data sets, 305

Faults and alarms, 463

Message ranges, 461

Motor data sets, 303

Parameter ranges, 22

Parameters for quick commissioning, 314

Parameters for write protection and know-how
protection, 312

Parameters, all, 25

Power unit data sets, 305

List of abbreviations, 551

Load monitoring, 432

M

Manufacturer-specific telegrams, 342

MDS, Motor Data Set, 18

Message buffer, 442

Message class, 457

Monitoring functions, 432

Motorized potentiometer, 394, 430

N

Name

Alarm, 457

Fault, 457

Number

Alarm, 456

Fault, 456

Parameters, 13

Number range

Alarms, 461

Faults, 461

Parameters, 22

O

OFF1, 453

OFF1_DELAYED, 453

OFF2, 453

OFF3, 454

P

Parameters

Access level, 15

Bit field, 21

Calculated, 15

Can be changed, 17

Command data sets, 299

Data type, 16

Dependency, 21

Description, 20

Drive data sets, 300

Dynamic index, 18

Encoder data sets, 305

Full name, 14

Function diagram, 19

Index, 13, 20

Linked parameters, 13

List for quick commissioning, 314

List of all parameters, 25

List of the binector inputs, 306

List of the binector outputs, 307

List of the connector inputs, 307

List of the connector outputs, 308

List of the connector/binector outputs, 310

Motor data sets, 303

Number, 13

Number range, 22

Parameter values, 20

Power unit data sets, 305

Recommendation, 20

Safety guidelines, 21

Scaling, 17

Short name, 14

Unit group, 18

Unit selection, 18

Values, 20

Password for access level 4, 15

PDS, (Power unit Data Set), 18

Process data, 336, 339

PROFIBUS, 336, 339

PROFIdrive, 336, 339

PROFINET, 336, 339

pxxxx, 13

Q

Quick commissioning (parameters), 314

R

Ramp-function generator, 394

Reaction to faults, 453

Resetting faults, 460

rxxxx, 13

S

Safety instructions

 Fundamental, 7

 General, 8

 Industrial security, 9

Safety instructions (parameter), 21

Safety Integrated

 Basic Functions, 386, 392

 Extended Functions, 386, 392

Scaling, 17

Setpoint channel, 394

Signals, 432

Skip frequency bands, 394

Speed control

 Vector, 403

Speed signals, 432

Standard telegrams, 342

Status words, 336, 339

 Internal, 366

STOP2, 454

T

Technology controller, 427

Technology functions, 425

Telegrams, 336, 339

Temperature evaluation, 327

Thermal monitoring, 432

Torque signals, 432

U

Unit (parameter), 18

V

Values (parameter), 20

Vector control

 Current setpoint filter, 416

 Iq and Id controllers, 417

 Speed controller, 406

 Speed setpoint, accelerationmodel, 405

 Table of contents, 403

 Torque setpoint, 407

Version

 List of all parameters, 25

 List of faults and alarms, 463

Siemens AG
Industry Sector
Drive Technologies
Motion Control Systems
P.O. Box 3180
91050 ERLANGEN
GERMANY

Subject to change
© Siemens AG 2014

Find out more on
SINAMICS G120C
by scanning the
QR code.



www.siemens.com/sinamics-g120c